



US00D823596S

(12) **United States Design Patent**
Grisamore

(10) **Patent No.:** **US D823,596 S**
(45) **Date of Patent:** **** Jul. 24, 2018**

- (54) **HOLSTER**
- (71) Applicant: **Grizzly Guard LLC**, Butte, MT (US)
- (72) Inventor: **Dennis Grisamore**, Helena, MT (US)
- (73) Assignee: **Grizzly Guard LLC**, Butte, MT (US)
- (**) Term: **15 Years**
- (21) Appl. No.: **29/597,352**
- (22) Filed: **Mar. 16, 2017**

4,955,518 A * 9/1990 Parsons A45F 5/02
224/247
5,351,866 A * 10/1994 Foss A45F 5/00
224/247
D354,677 S * 1/1995 Troyer D3/215
(Continued)

OTHER PUBLICATIONS

Drawings from co-pending U.S. Appl. No. 29/563,098, filed May 2, 2016.

Primary Examiner — Catherine R Oliver-Garcia
(74) *Attorney, Agent, or Firm* — Renner, Otto, Boisselle and Sklar, LLP

Related U.S. Application Data

- (63) Continuation-in-part of application No. 29/563,098, filed on May 2, 2016, now Pat. No. Des. 789,681.
- (51) **LOC (11) Cl.** **03-01**
- (52) **U.S. Cl.**
USPC **D3/215**
- (58) **Field of Classification Search**
USPC D3/215, 221–223, 228, 203.1, 207–212;
224/268–269, 271–272, 673, 667, 669,
224/904, 908, 197, 242, 247; 24/580.11,
24/663, 667, 669, 682.1, DIG. 60
CPC A45F 3/00; A45F 3/14; A45F 5/00; A45F
5/021; A45F 2003/006; A45F 2005/00;
F41C 33/043
See application file for complete search history.

(57) **CLAIM**

The ornamental design for a holster, as shown and described.

DESCRIPTION

FIG. 1 is a front, top, left perspective view of a holster showing my new design, a front, top, right perspective view being a mirror image thereof;
FIG. 2 is a left side elevation view thereof;
FIG. 3 is a right side elevation view thereof;
FIG. 4 is a front elevation view thereof;
FIG. 5 is a rear elevation view thereof;
FIG. 6 is a top plan view thereof;
FIG. 7 is a bottom plan view thereof;
FIG. 8 is a front, top, left perspective view of a second embodiment of a holster showing my new design, a front, top, right perspective view being a mirror image thereof;
FIG. 9 is a left side elevation view thereof;
FIG. 10 is a right side elevation view thereof;
FIG. 11 is a front elevation view thereof;
FIG. 12 is a rear elevation view thereof;
FIG. 13 is a top plan view thereof; and,
FIG. 14 is a bottom plan view thereof.

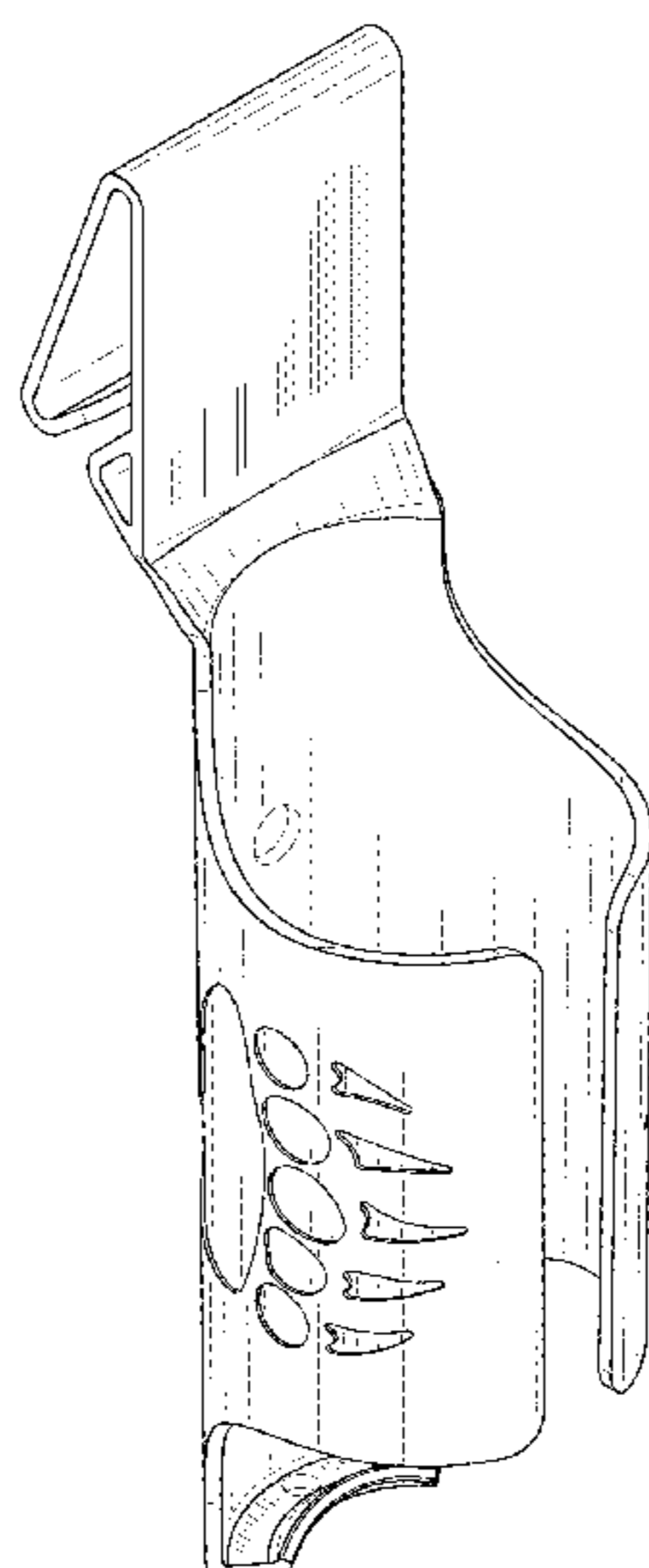
The broken line showing is for the purpose of illustrating portions of the holster and forms no part of the claimed design.

(56) **References Cited**

U.S. PATENT DOCUMENTS

- 1,464,659 A * 8/1923 Keely A45F 5/021
224/247
- 2,589,126 A 3/1952 Payne
- 4,840,332 A * 6/1989 Hoyt A63B 47/00
224/247
- D306,056 S * 2/1990 Tucker D3/229
- 4,953,769 A * 9/1990 Parsons A45F 5/02
224/247

1 Claim, 8 Drawing Sheets



(56)

References Cited

U.S. PATENT DOCUMENTS

D501,989 S	2/2005	Cook et al.	
D657,551 S	4/2012	Lynn	
D710,595 S	8/2014	Clifton, Jr.	
D745,776 S	12/2015	Perreault	
D785,320 S *	5/2017	Kostal	D3/229

* cited by examiner

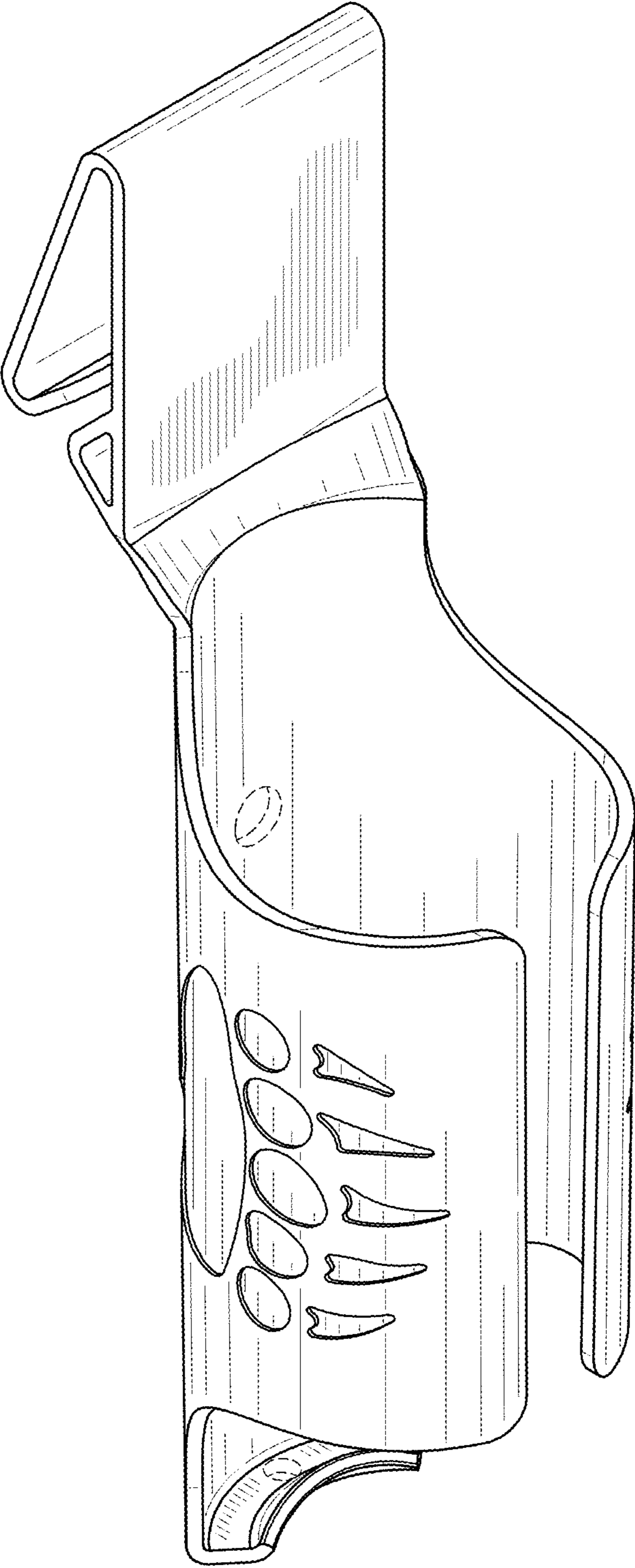


Fig. 1

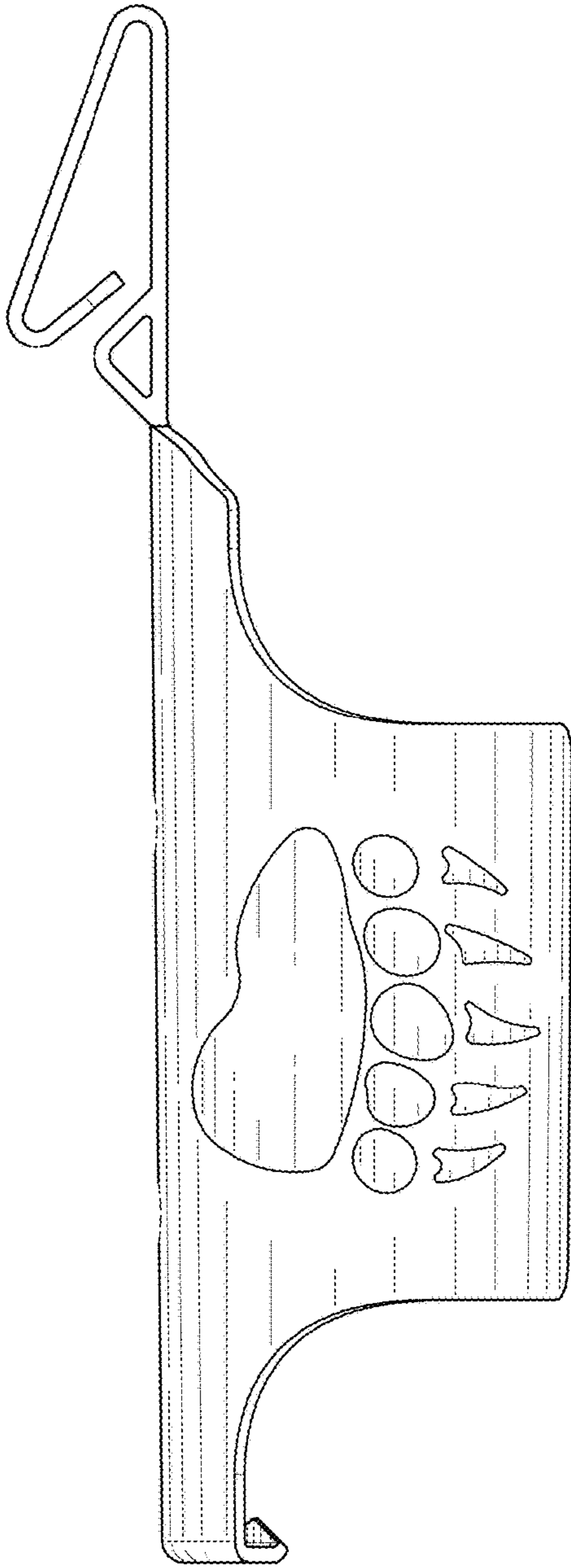


Fig. 2

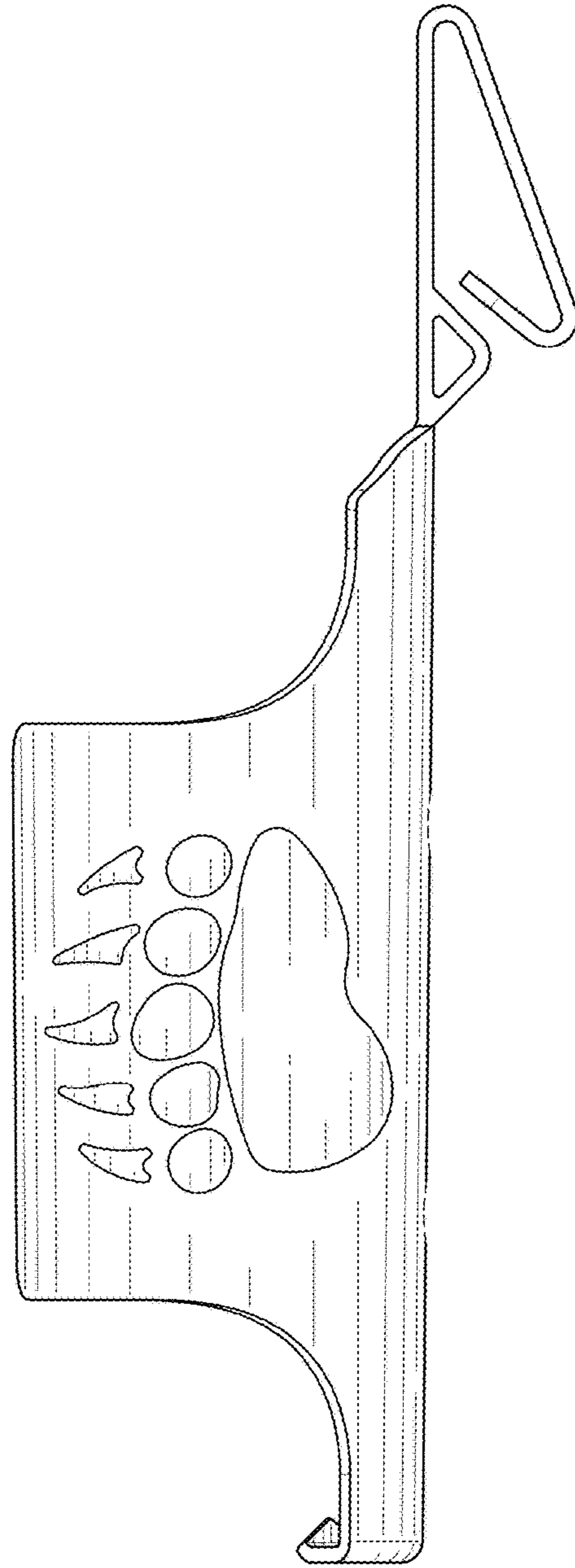


Fig. 3

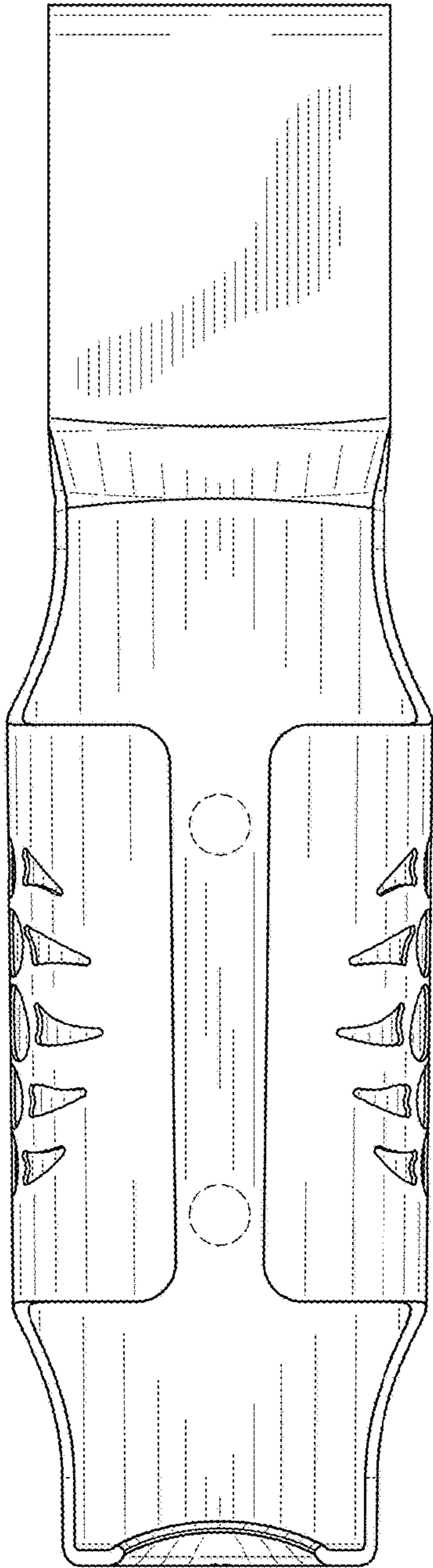


Fig.4

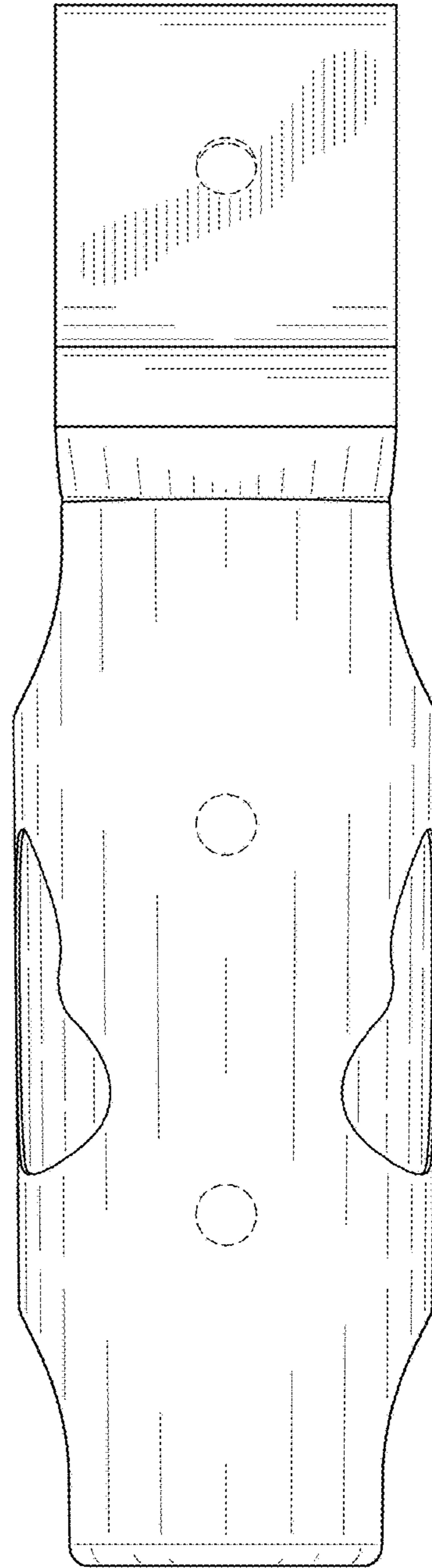


Fig.5

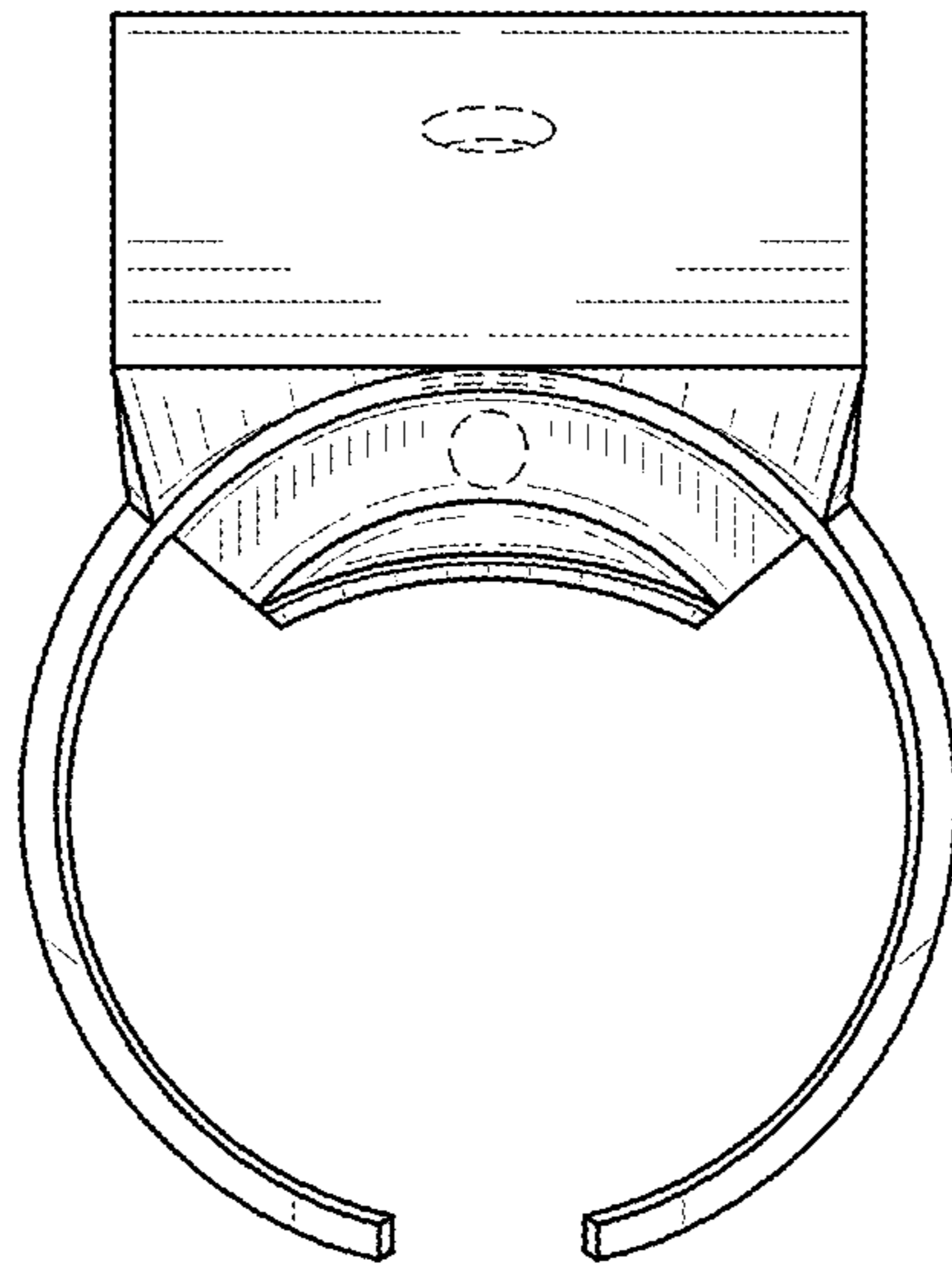


Fig. 6

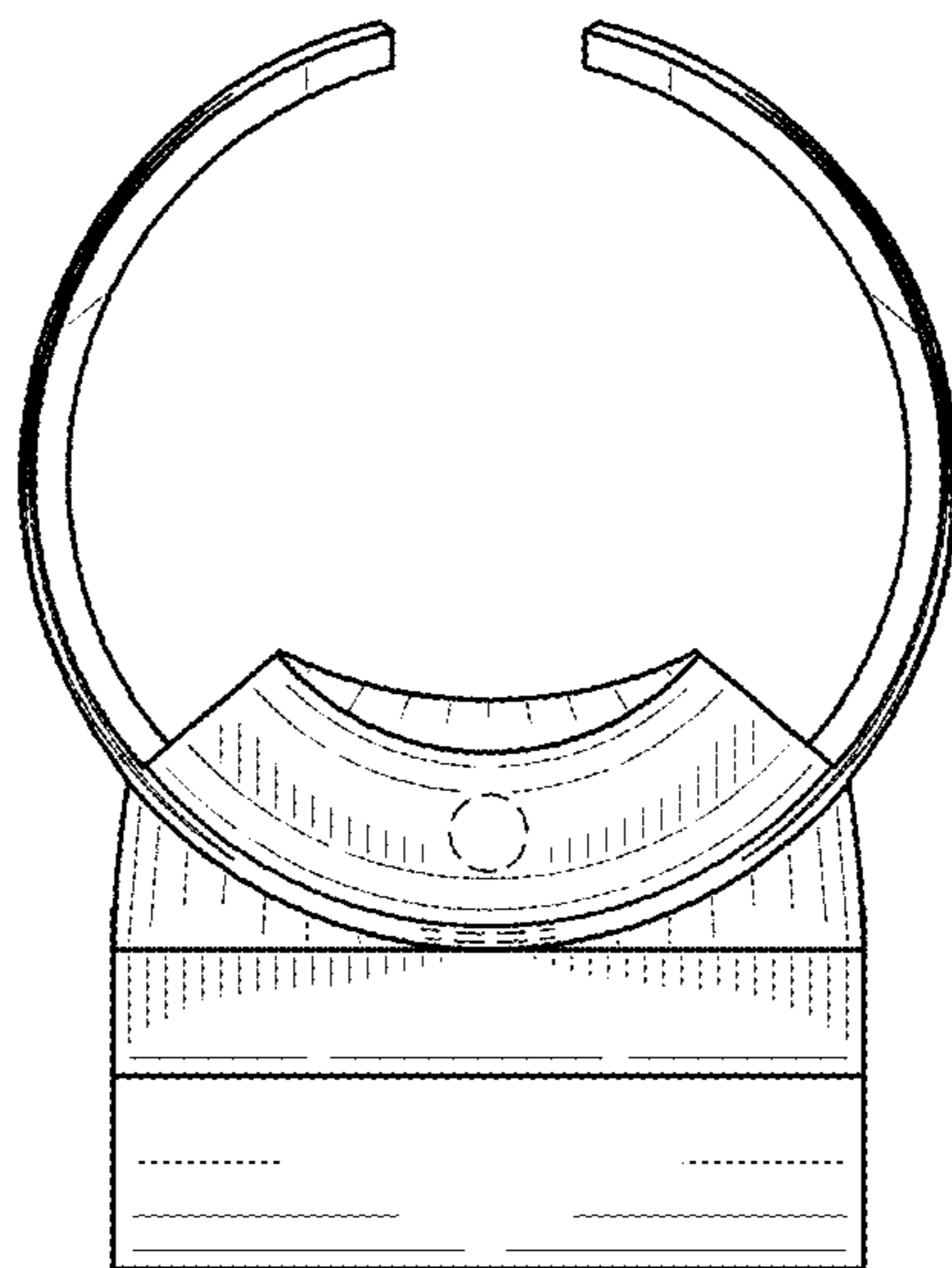


Fig. 7

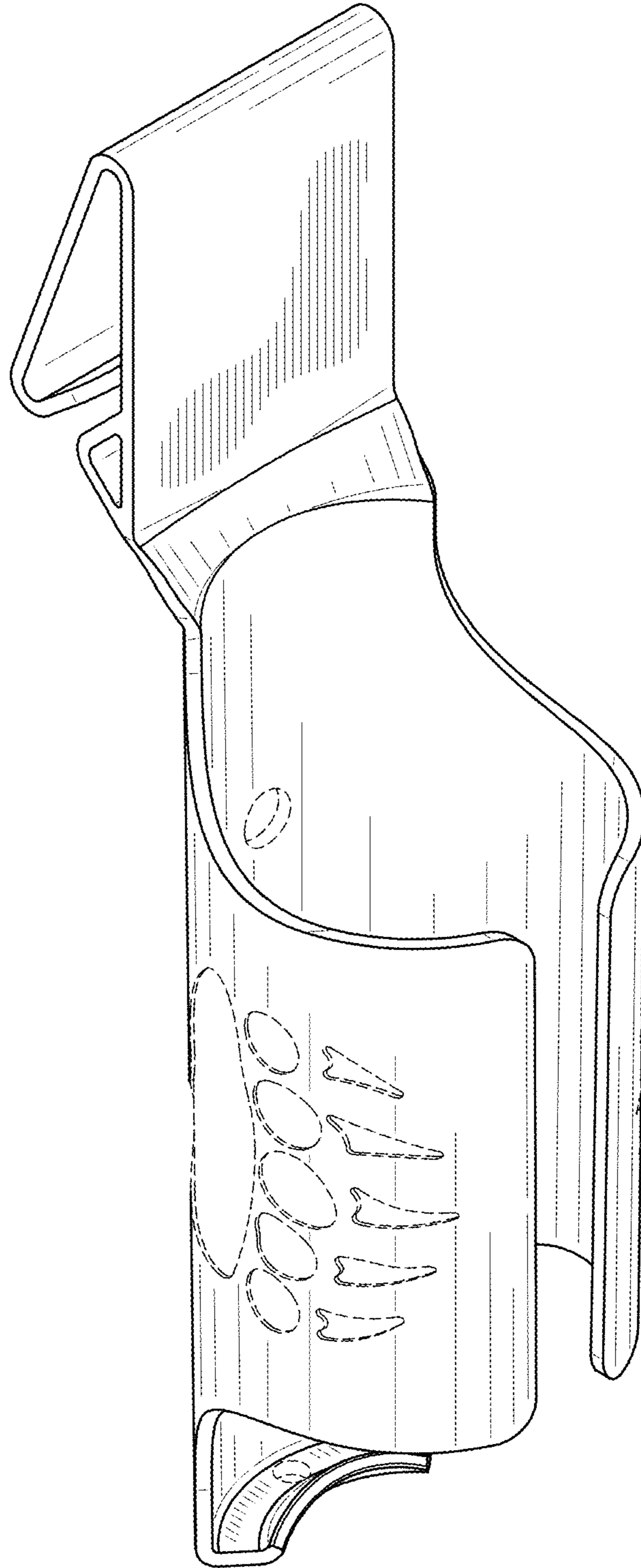


Fig.8

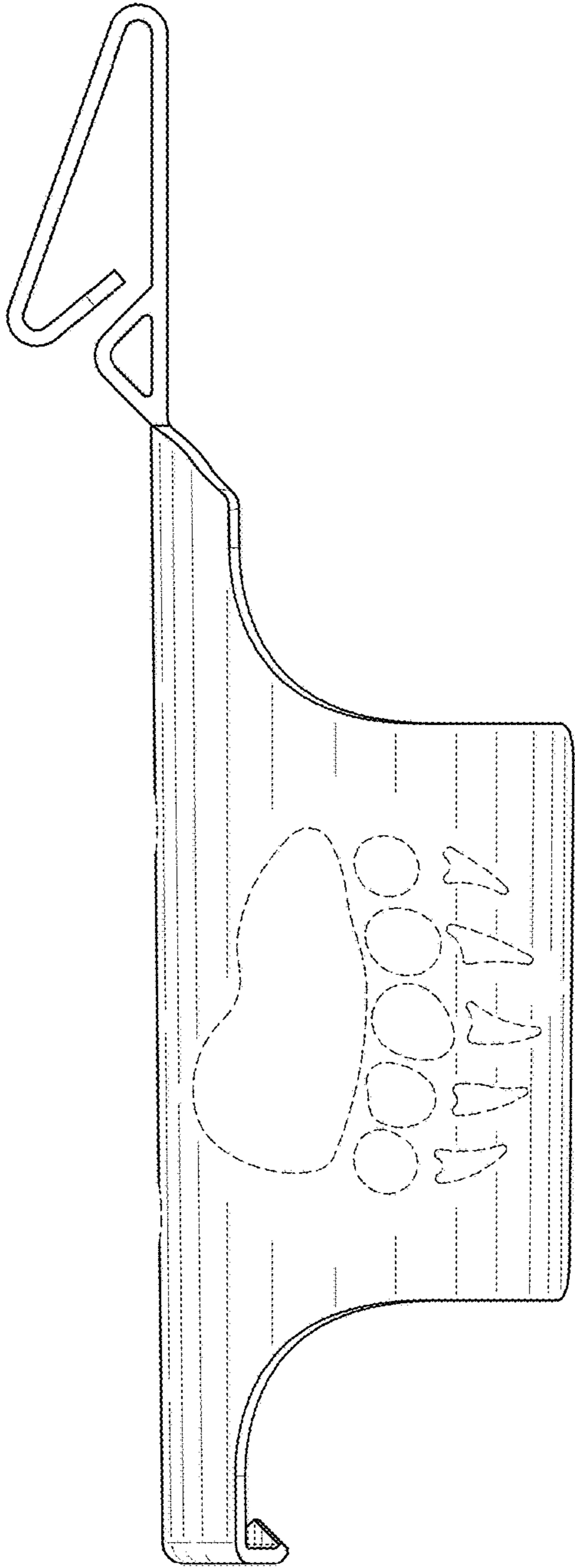


Fig. 9

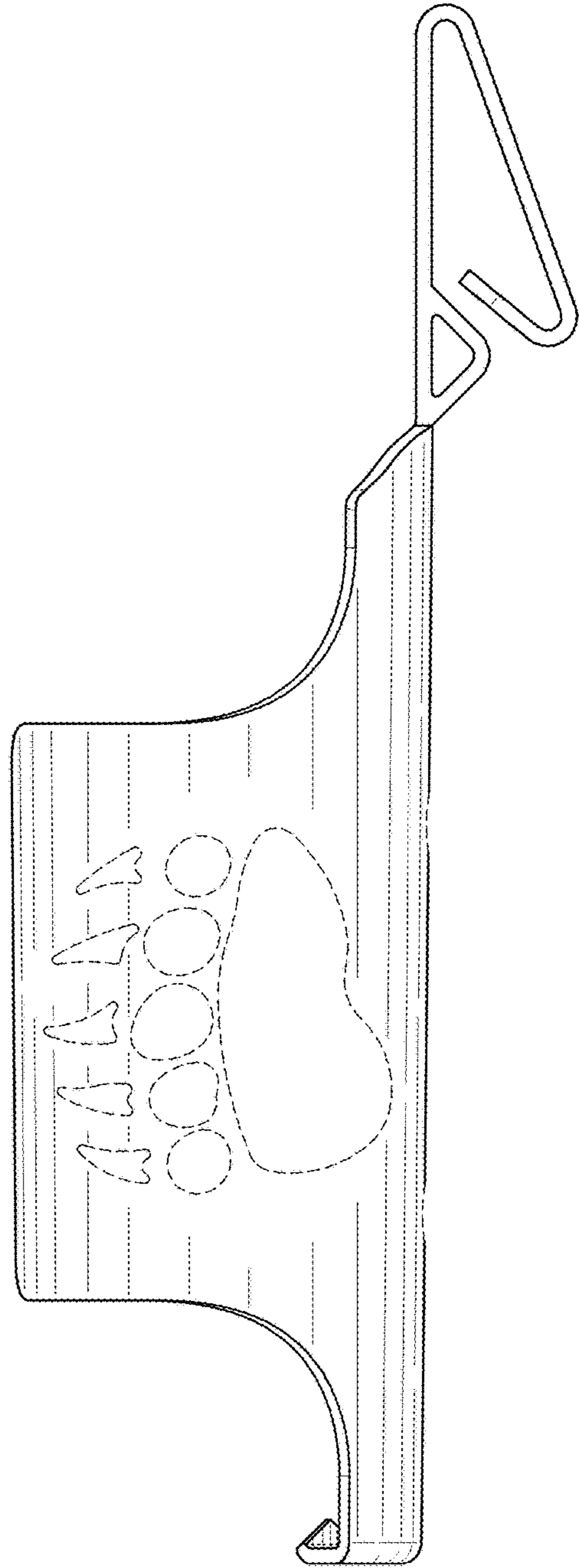


Fig. 10

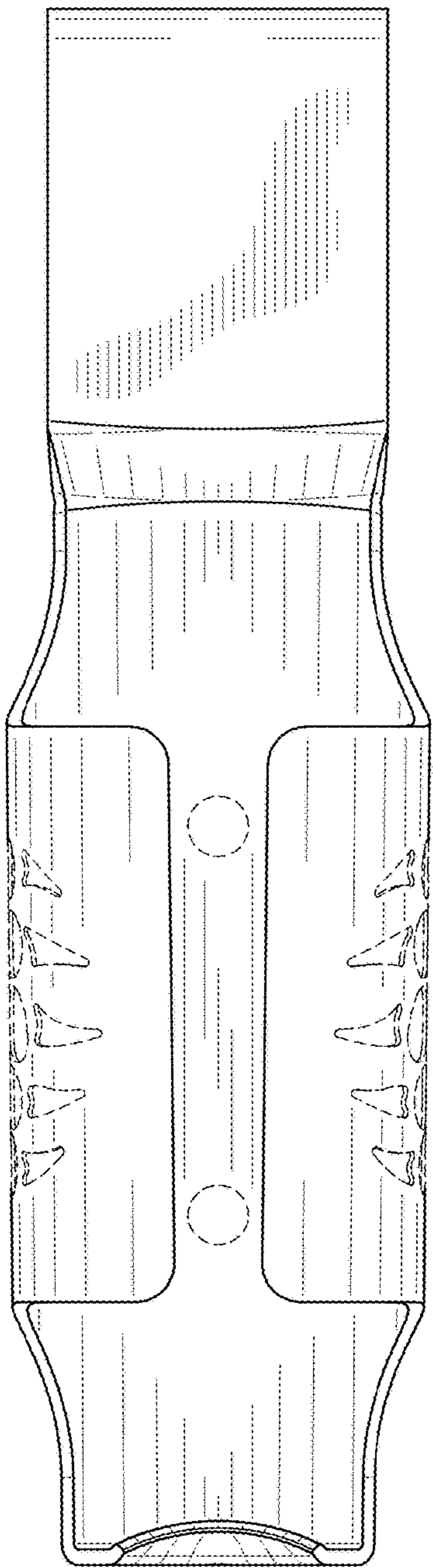


Fig. 11

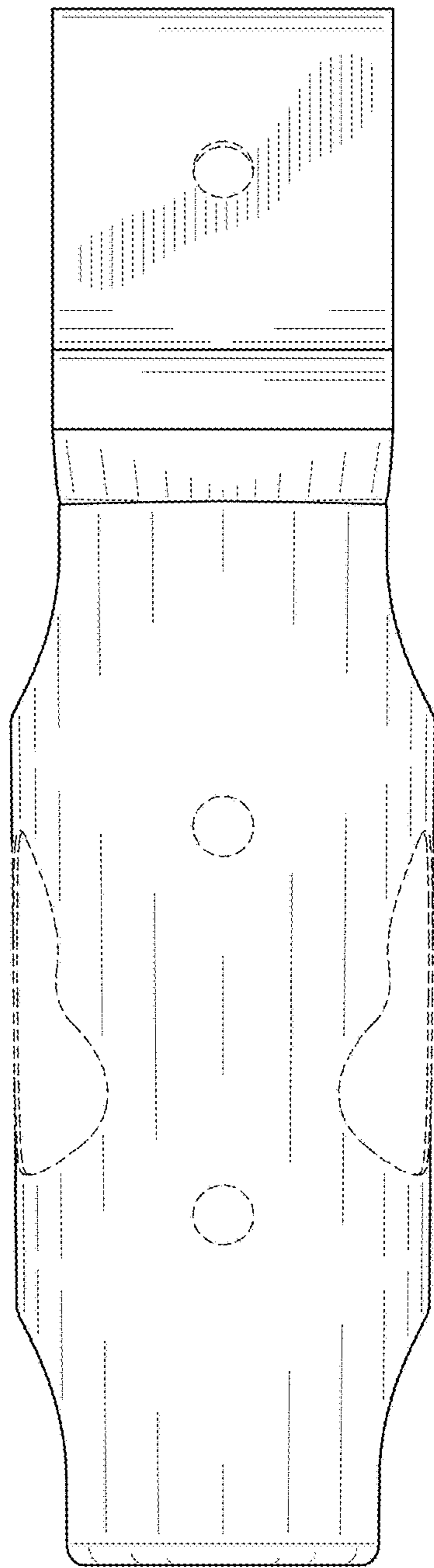


Fig. 12

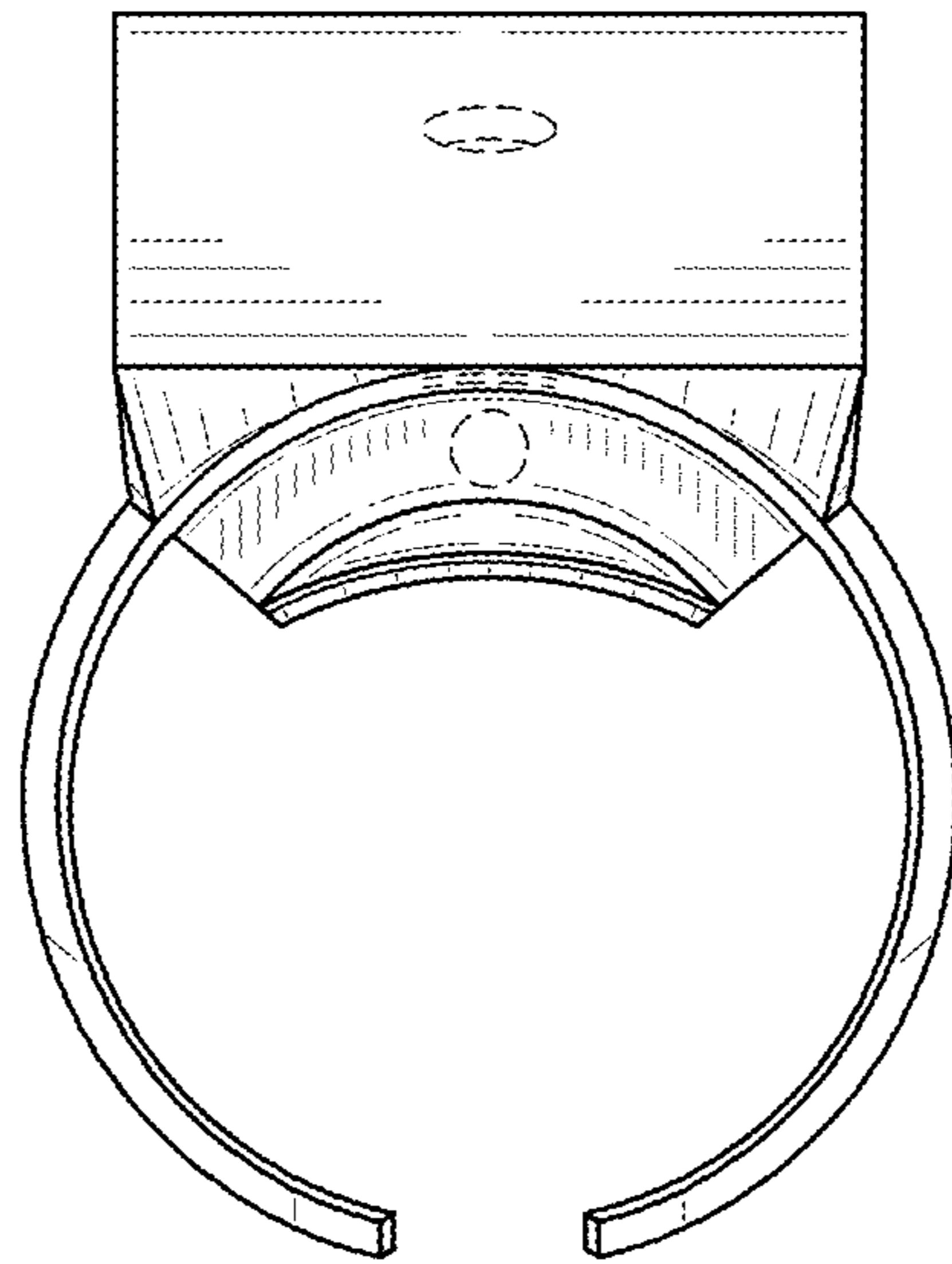


Fig. 13

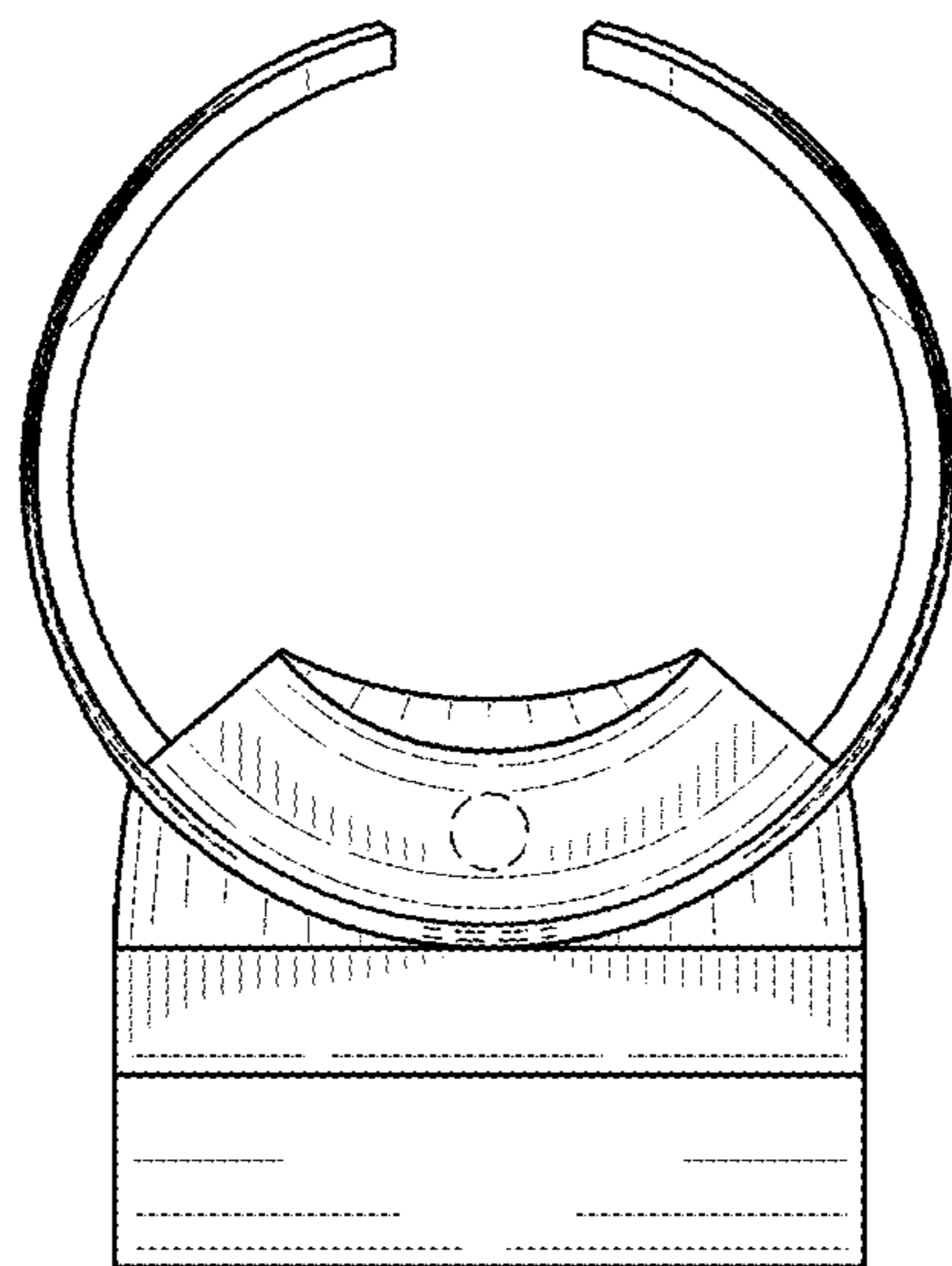


Fig. 14