



US00D823595S

(12) **United States Design Patent**
Yoo

(10) **Patent No.:** **US D823,595 S**

(45) **Date of Patent:** **** Jul. 24, 2018**

- (54) **CLIPPER CASE TRAY**
- (71) Applicant: **Sung Yoo**, West Chester, PA (US)
- (72) Inventor: **Sung Yoo**, West Chester, PA (US)
- (**) Term: **15 Years**
- (21) Appl. No.: **29/579,431**
- (22) Filed: **Sep. 29, 2016**
- (51) **LOC (11) Cl.** **03-02**
- (52) **U.S. Cl.**
USPC **D3/205**
- (58) **Field of Classification Search**
USPC D3/205, 276, 283, 284, 292, 295, 301,
D3/313, 315
CPC A45D 27/22; A45D 27/29
See application file for complete search history.

- D455,032 S * 4/2002 Quinn D3/304
- D545,500 S * 6/2007 McCambridge D19/77
- D621,614 S * 8/2010 Zuniga D3/282
- D661,083 S * 6/2012 Frierson D3/205
- D670,909 S * 11/2012 Price D3/260
- 2008/0289983 A1* 11/2008 Barnett, Jr. B65D 25/06
206/351
- 2010/0089792 A1* 4/2010 Bryant, Jr. A45D 44/02
206/581

* cited by examiner

Primary Examiner — Charles D Hanson
(74) *Attorney, Agent, or Firm* — Paul & Paul

(57) **CLAIM**

An ornamental design for a clipper case tray, as shown and described.

DESCRIPTION

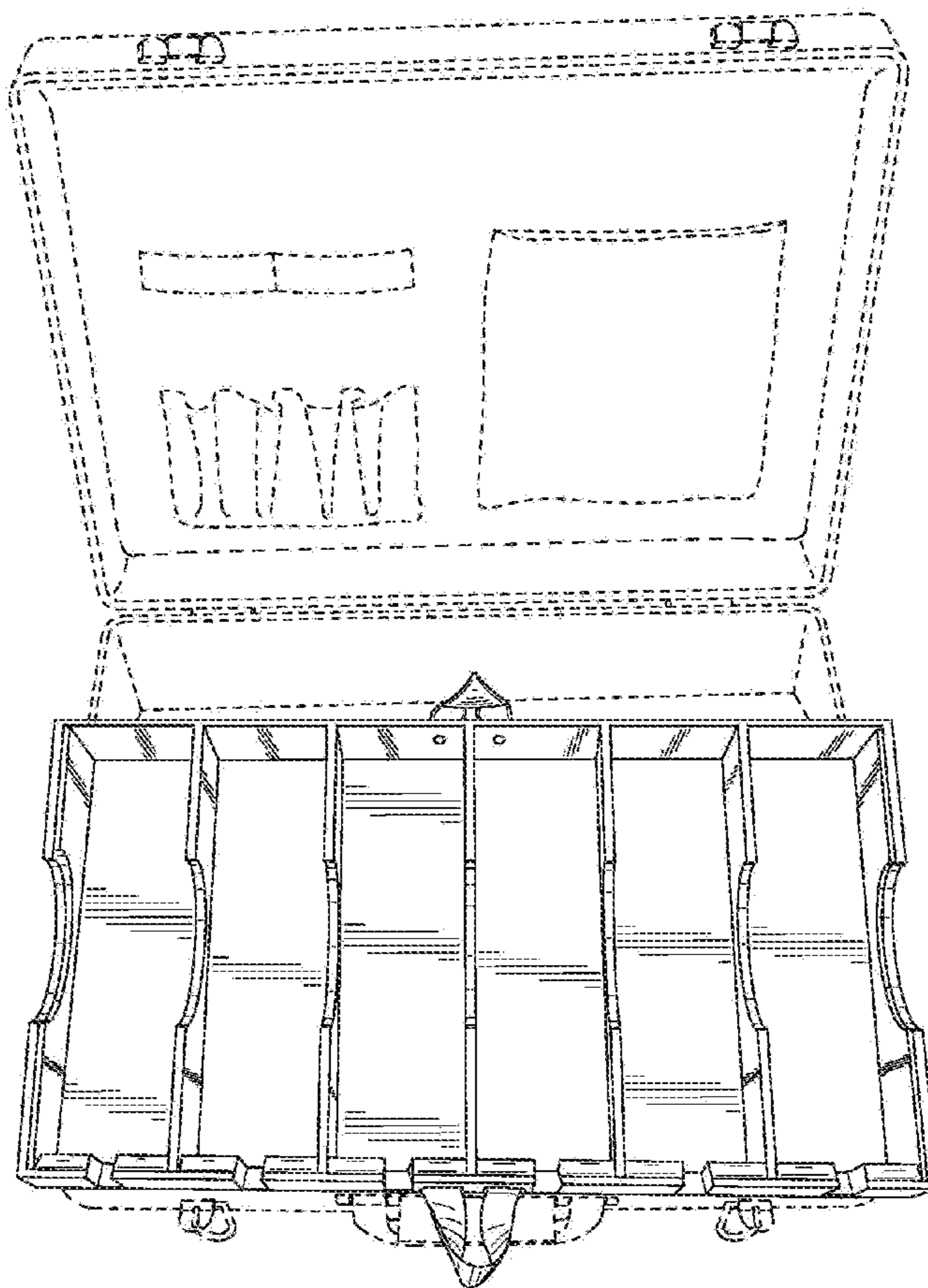
FIG. 1 is a top plan view of perspective view of a clipper case tray embodying my new design; FIG. 2 is a front elevational view thereof; FIG. 3 is a right side elevational view thereof; FIG. 4 is a left side elevational view thereof; and, FIG. 5 is a perspective view thereof. The broken lines represent environment that forms no part of the claim.

1 Claim, 5 Drawing Sheets

(56) **References Cited**

U.S. PATENT DOCUMENTS

- D402,855 S * 12/1998 Zapata D3/313
- D435,185 S * 12/2000 Winchester D6/567
- D439,085 S * 3/2001 Quinn D19/77
- D443,762 S * 6/2001 Park D28/61



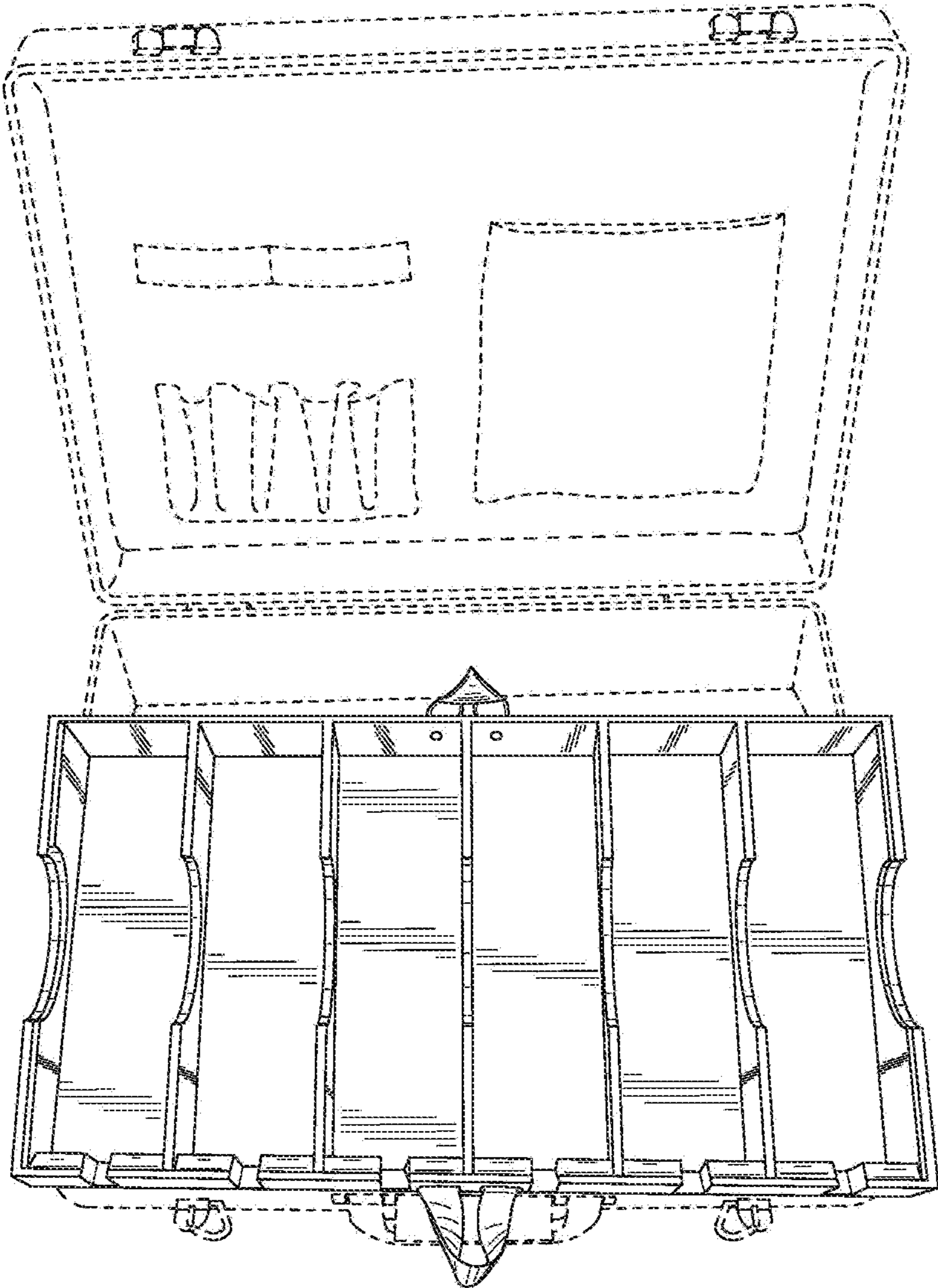


FIG. 1

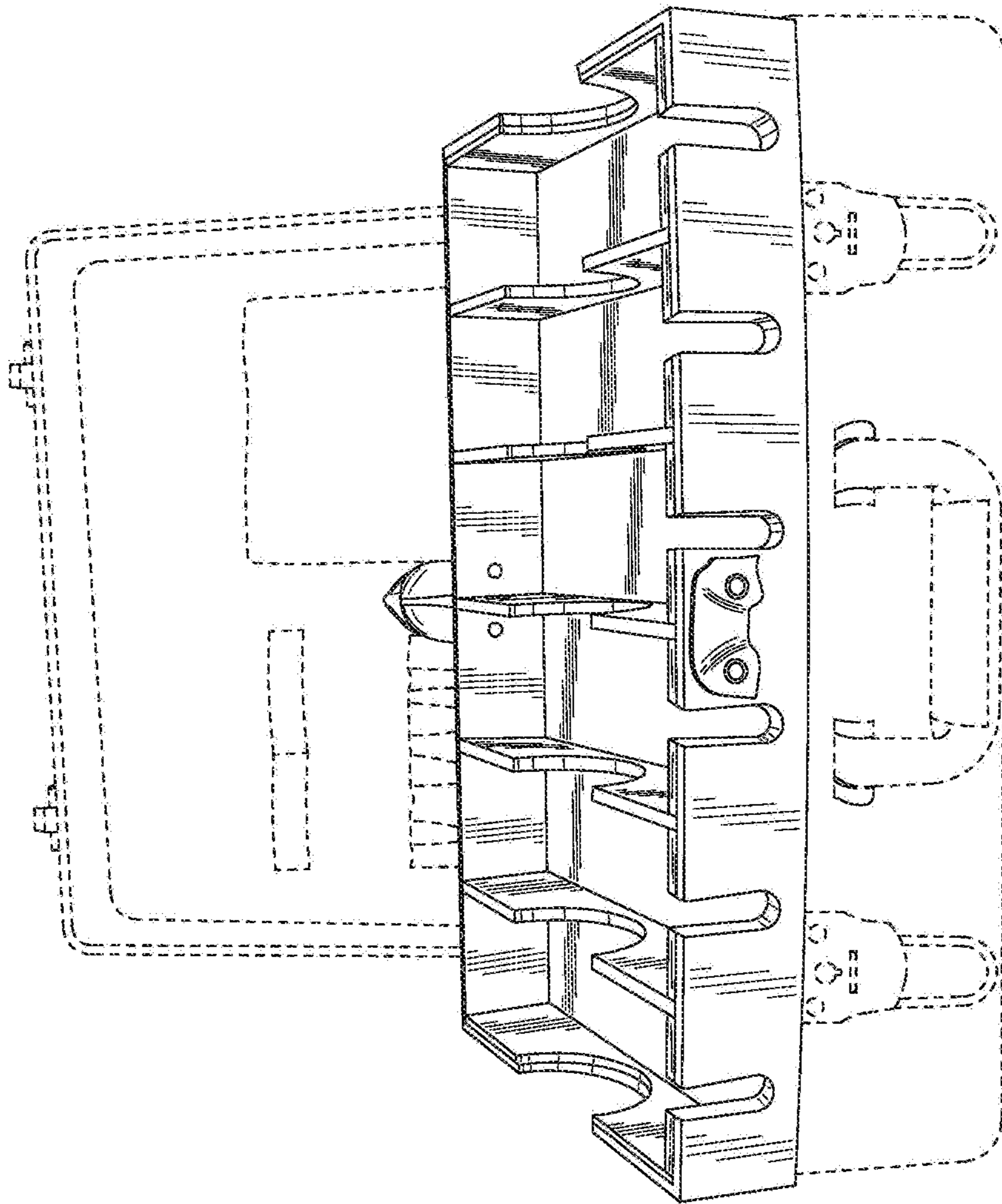


FIG. 2

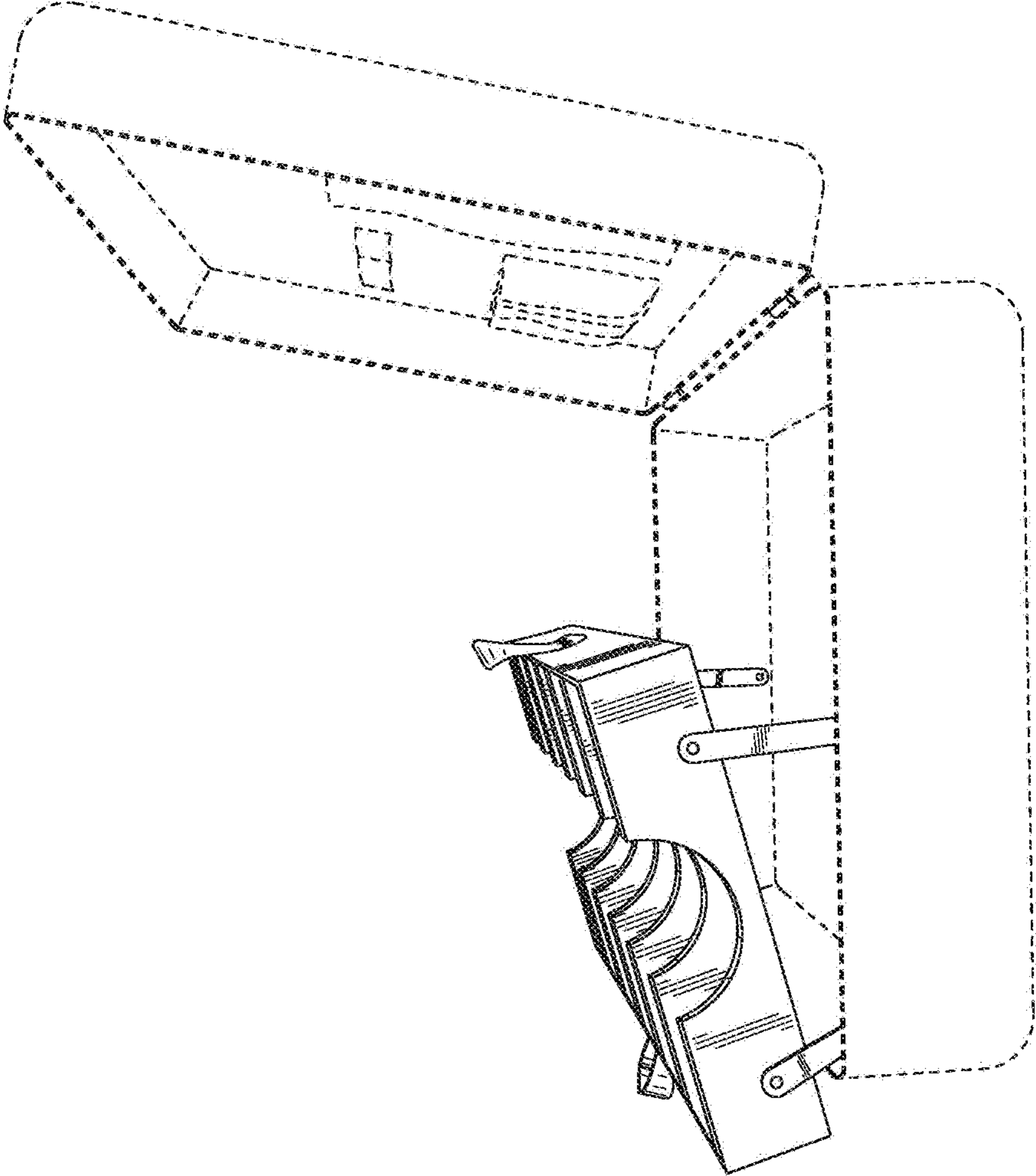


FIG. 3

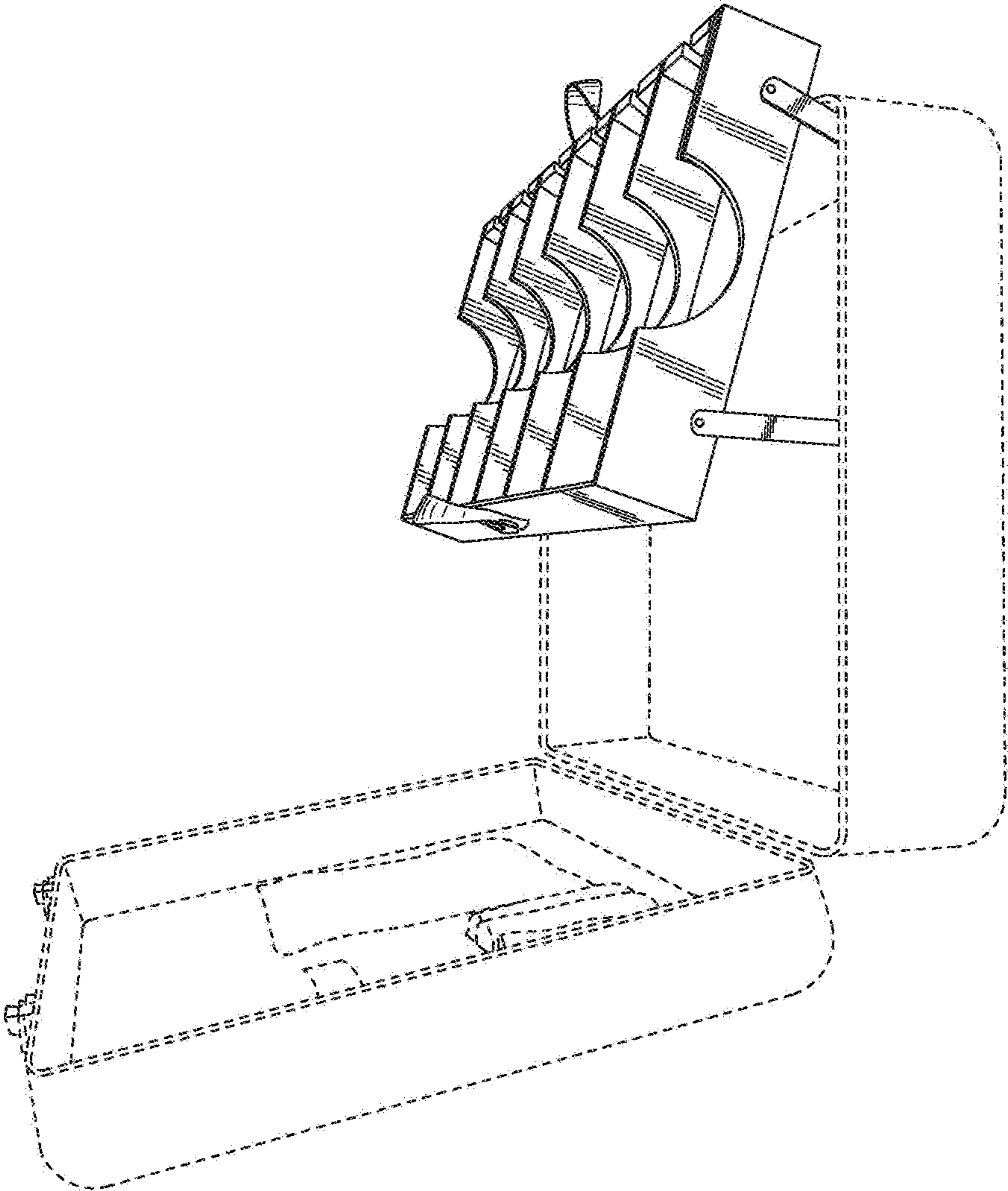


FIG. 4

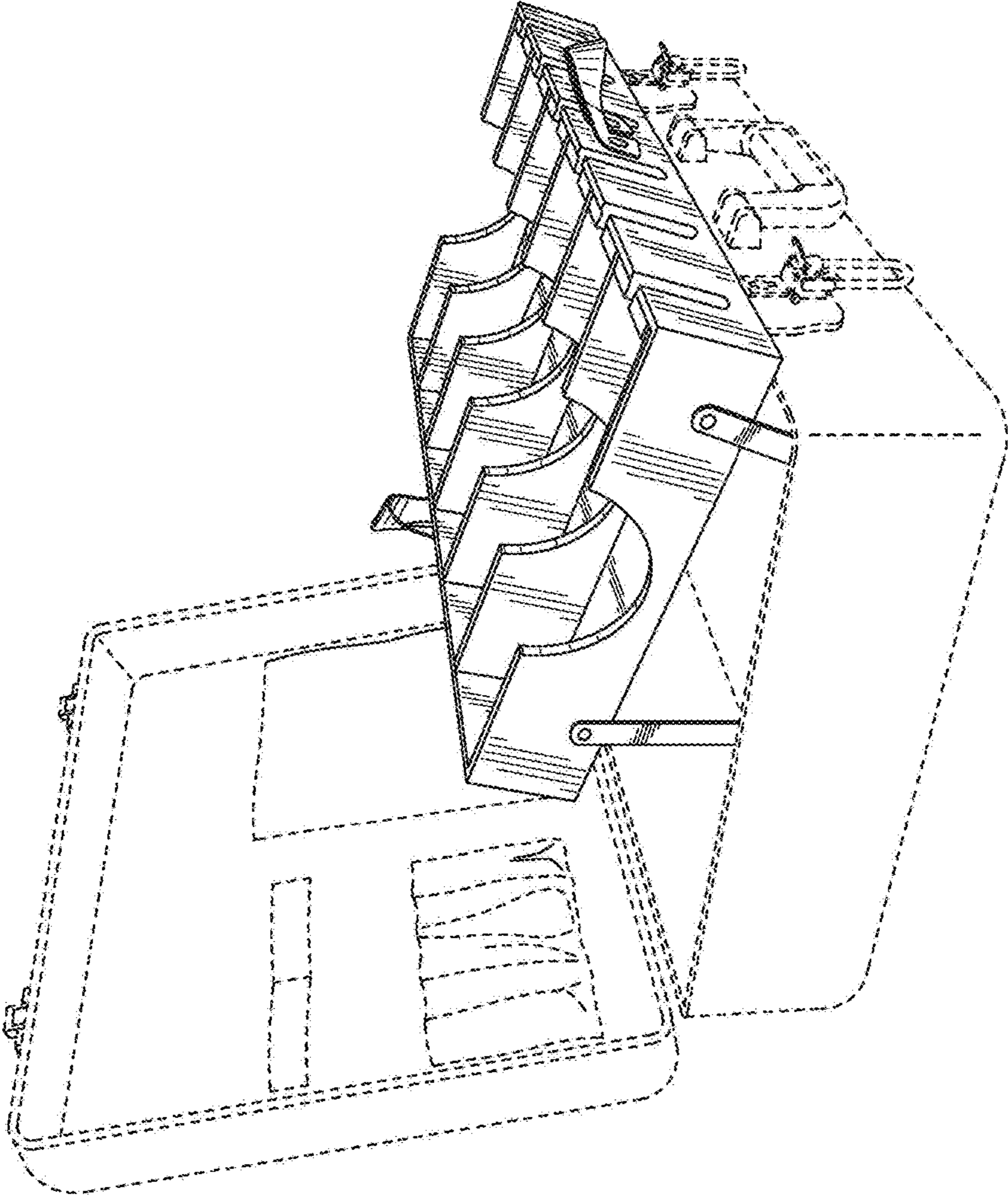


FIG. 5