



US00D823593S

(12) **United States Design Patent**
Giannopoulos et al.

(10) **Patent No.:** **US D823,593 S**
(45) **Date of Patent:** **** Jul. 24, 2018**

(54) **CLAMSHELL CASE**

(71) Applicants: **Peter Giannopoulos**, Walpole, MA (US); **Joshua J. DeLisle**, Hanover, MA (US)

(72) Inventors: **Peter Giannopoulos**, Walpole, MA (US); **Joshua J. DeLisle**, Hanover, MA (US)

(**) **Term:** **15 Years**

(21) Appl. No.: **29/618,844**

(22) Filed: **Sep. 25, 2017**

(51) **LOC (11) Cl.** **03-07**

(52) **U.S. Cl.**
USPC **D3/203.1**; D3/294

(58) **Field of Classification Search**
USPC D3/203.1, 203.2, 203.3, 203.6, 273, 279, D3/276, 284, 294, 302, 905, 274, 281, D3/282, 283, 295; D28/83; D9/420, 748
CPC B25H 3/00; B25H 3/003; B25H 3/006; B25H 3/02-3/028; A45C 5/00; A45C 13/29; A45D 33/006
See application file for complete search history.

(56) **References Cited**

U.S. PATENT DOCUMENTS

5,205,413	A *	4/1993	Cautereels	A45C 5/00	190/116
D359,819	S *	6/1995	McIlvain	D28/78	
D394,131	S *	5/1998	Litton	D28/82	
D400,011	S *	10/1998	Palmer	D3/294	
D449,165	S *	10/2001	van der Hulst	D3/294	
D458,127	S *	6/2002	de Groote	D3/294	
D506,065	S *	6/2005	Sugino	D13/103	
D629,201	S *	12/2010	Demarco	D28/83	
D658,377	S *	5/2012	Corwin	D3/302	

(Continued)

OTHER PUBLICATIONS

Amazon, "NarCase V2 with Custom Holster / Pull dot Loop", First customer question posted Oct. 21, 2017. (<https://www.amazon.com/dp/B0751K41HM>).*

(Continued)

Primary Examiner — Jennifer Rivard

Assistant Examiner — April Rivas

(74) *Attorney, Agent, or Firm* — Brian M. Dingman; Dingman IP Law, PC

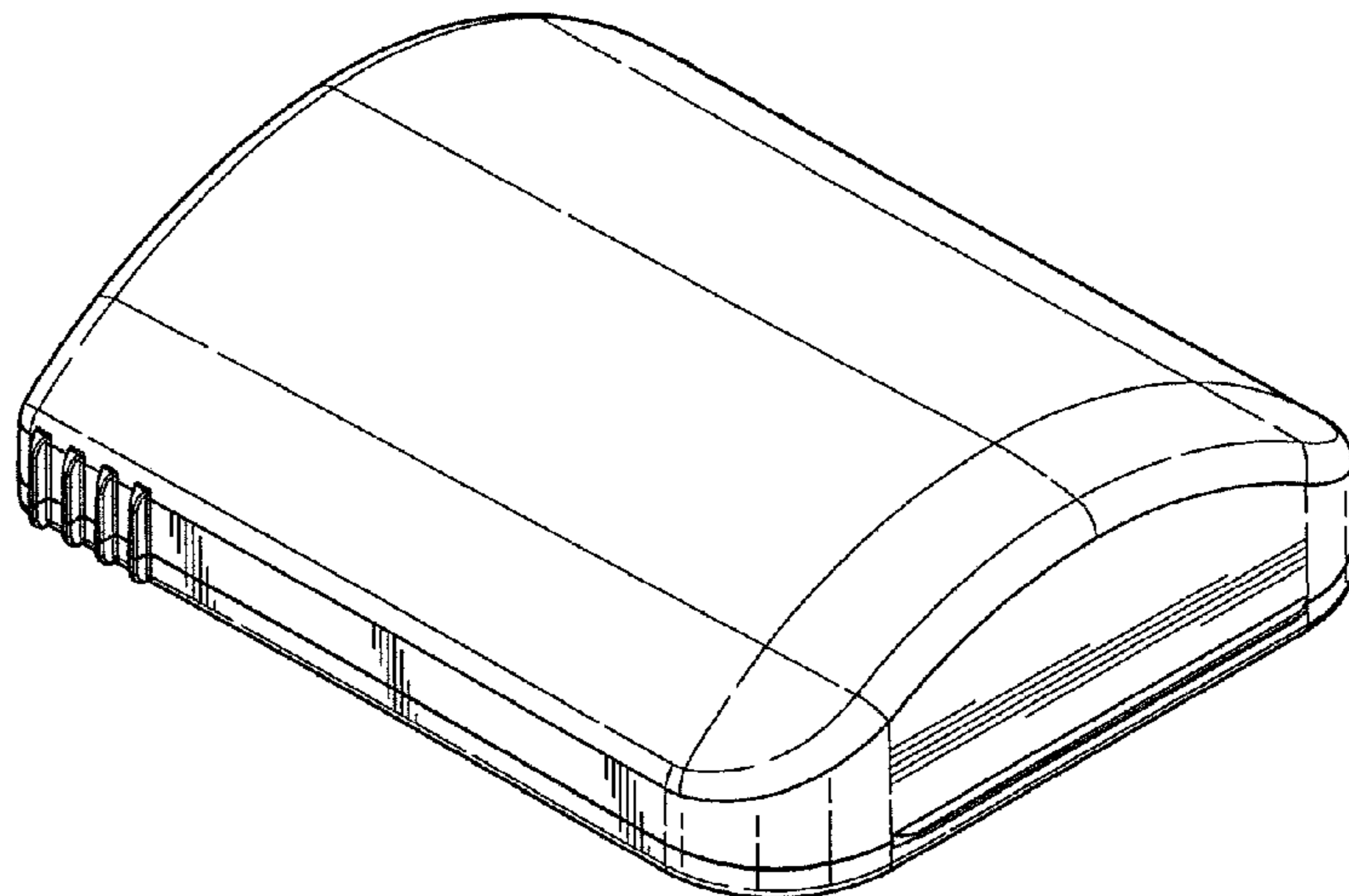
(57) **CLAIM**

We claim the ornamental design for a clamshell case, as shown and described.

DESCRIPTION

FIG. 1 is a front, top perspective view of the clamshell case; FIG. 2 is a bottom, perspective view of the clamshell case; FIG. 3 is a top view of the clamshell case; FIG. 4 is a bottom view of the clamshell case; FIG. 5 is a left side view of the clamshell case; the right-side view is a mirror image of the left side view; FIG. 6 is an end view of the clamshell case; FIG. 7 is the other end view of the clamshell case; FIG. 8 is a front, top perspective view of the clamshell case when opened; FIG. 9 is a bottom, perspective view of the clamshell case when opened; FIG. 10 is a top view of the clamshell case when opened; FIG. 11 is a bottom view of the clamshell case when opened; FIG. 12 is a left side view of the clamshell case when opened; the right-side view when opened is a mirror image of the left side view when opened; FIG. 13 is an end view of the clamshell case when opened; and, FIG. 14 is the other end view of the clamshell case when opened.

1 Claim, 8 Drawing Sheets



(56)

References Cited

U.S. PATENT DOCUMENTS

D663,110 S	*	7/2012	Marwah	D3/203.2
D675,434 S	*	2/2013	Vernall	D3/294
D708,850 S	*	7/2014	Morine	D3/294
D728,362 S	*	5/2015	Kelly	D9/420
D731,793 S	*	6/2015	Houghton	D3/294
D740,692 S	*	10/2015	Christie	D9/748
D795,874 S	*	8/2017	Szeremeta	D14/432
D808,152 S	*	1/2018	Giannopoulos	D3/203.1
D810,421 S	*	2/2018	Ross	D3/203.1
D811,745 S	*	3/2018	Davi	D3/294

OTHER PUBLICATIONS

The Daily Republic, "Mitchell PD proactive on opioid emergency",
Posted Nov. 1, 2017. (<http://www.mitchellrepublic.com/new/4352267-mitchell-pd-proactive-opioid-emergency>).*

* cited by examiner

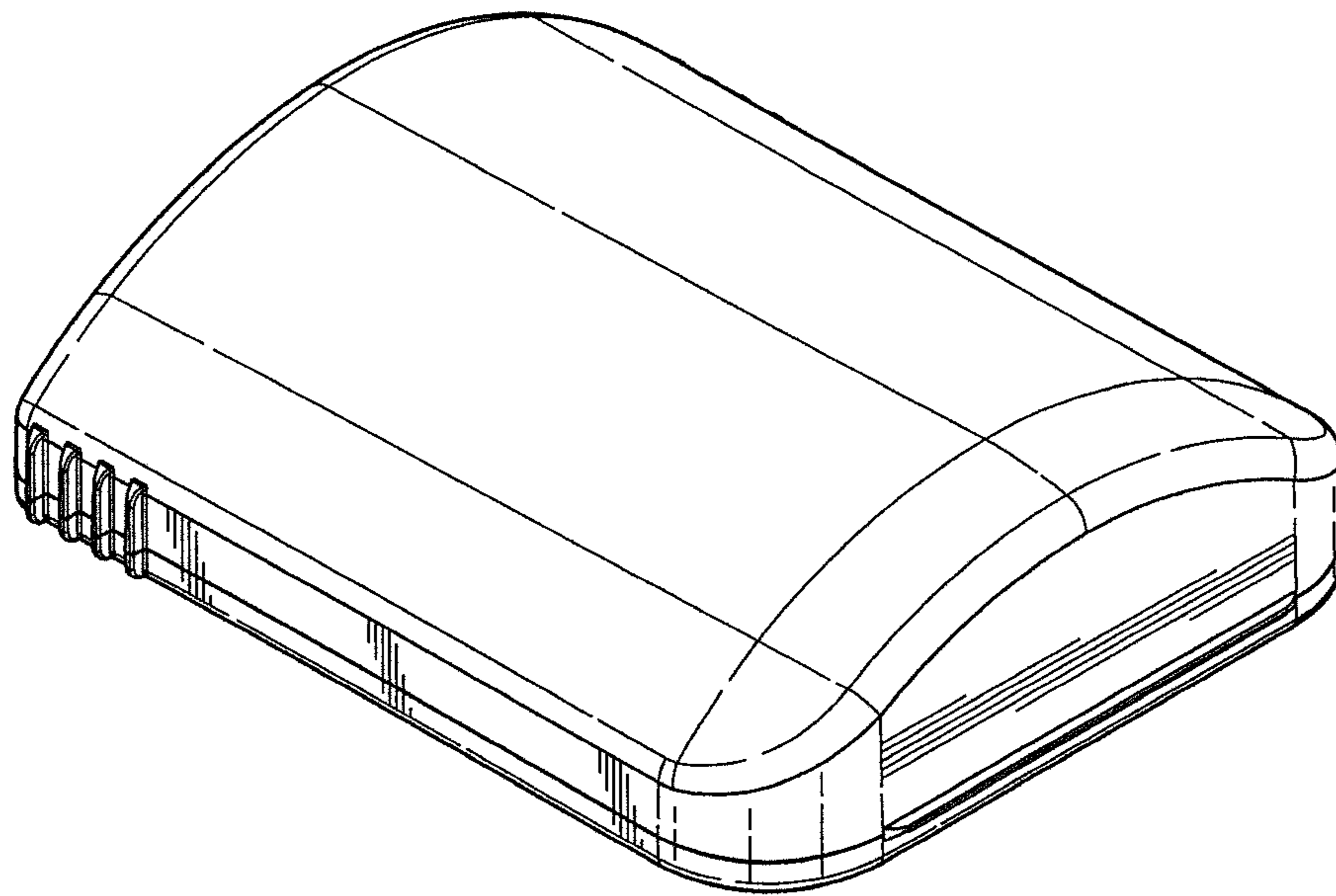


FIG. 1

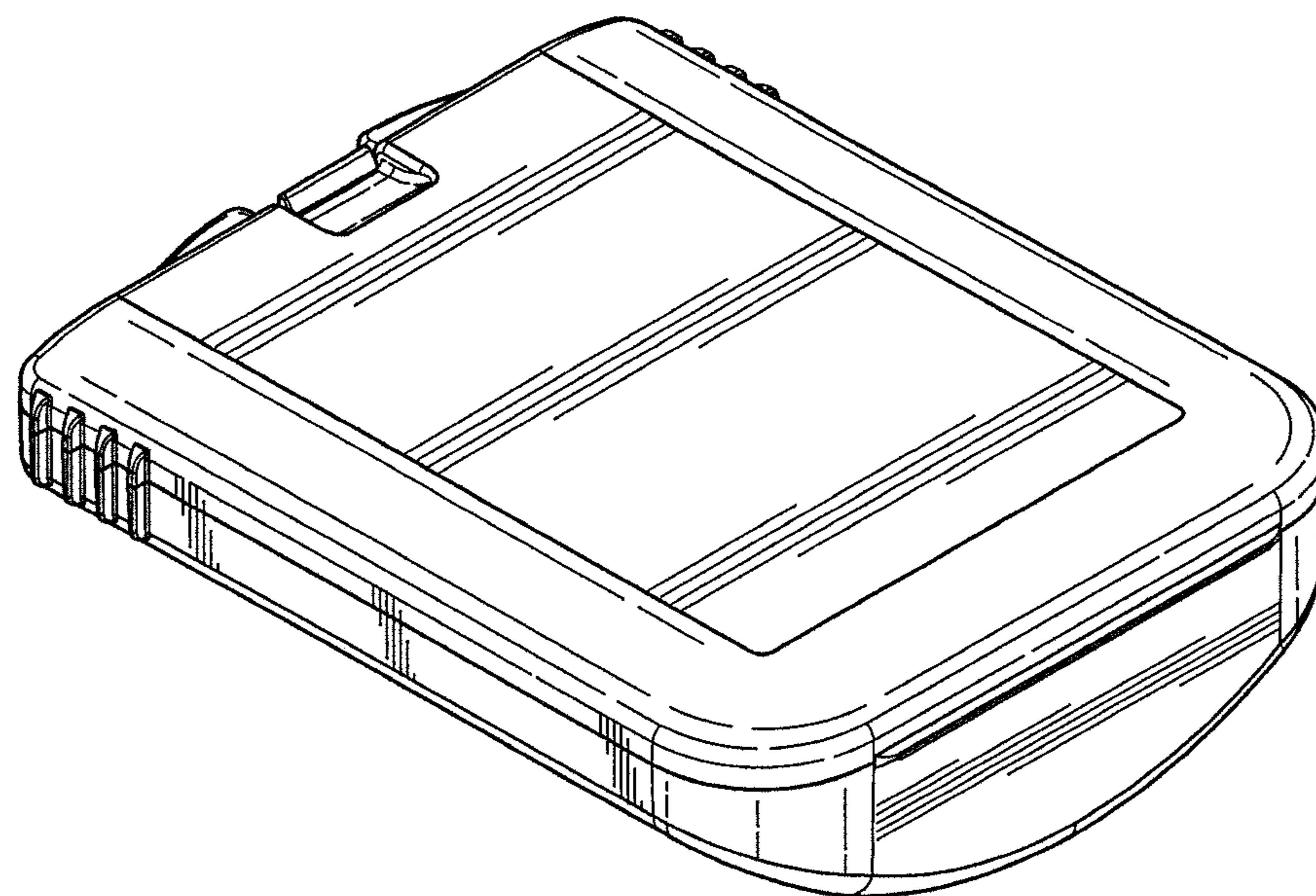


FIG. 2

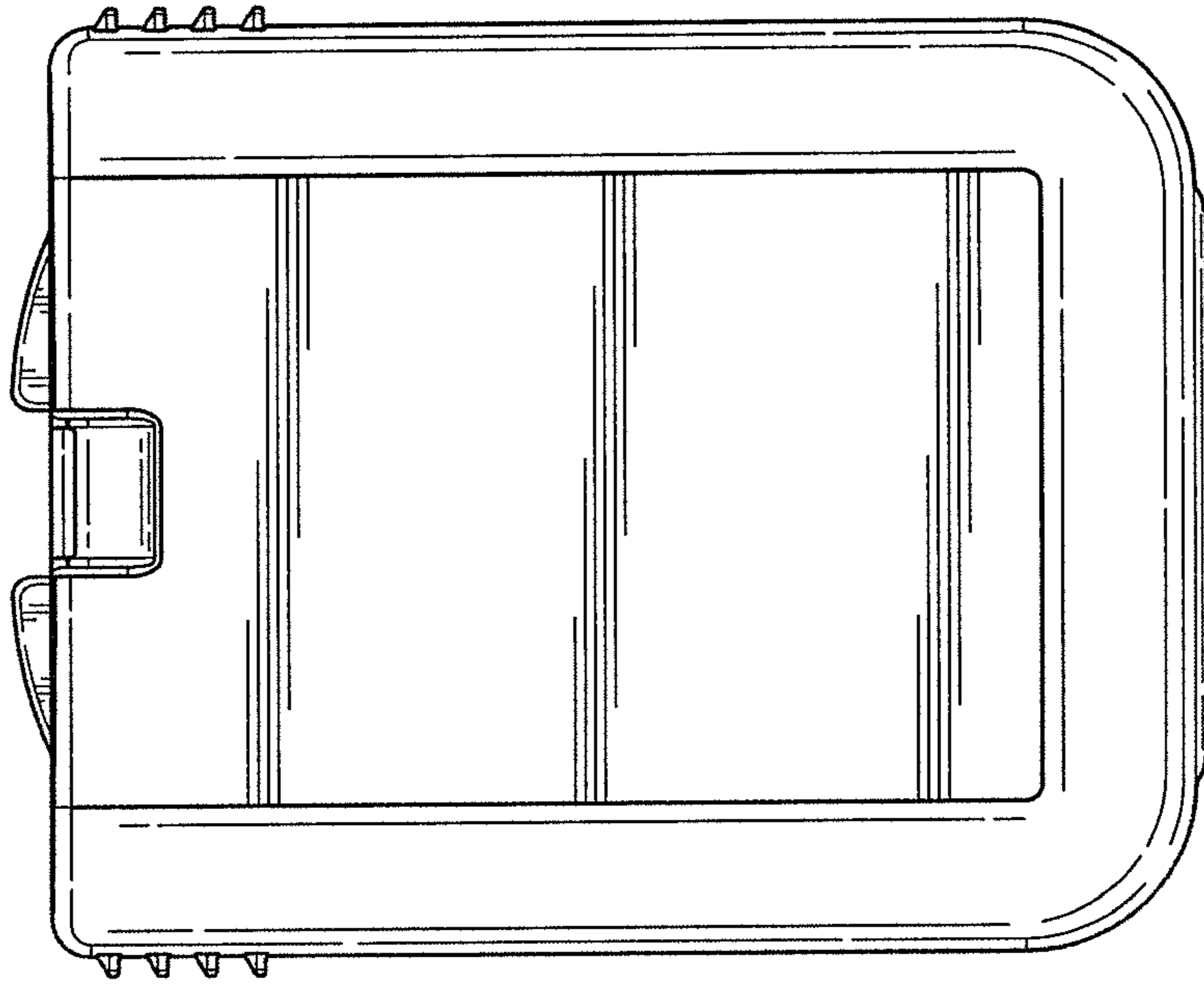


FIG. 4

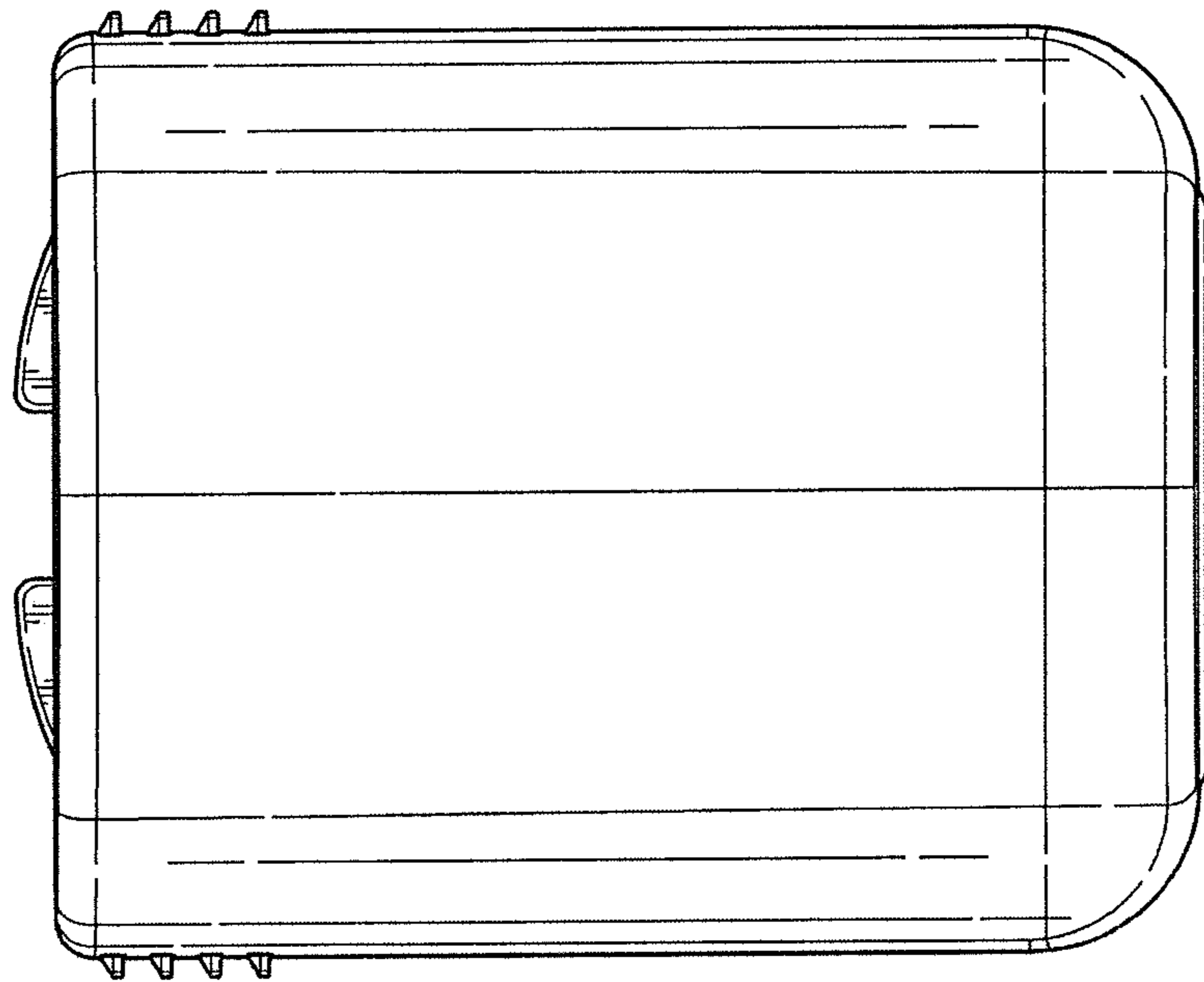


FIG. 3

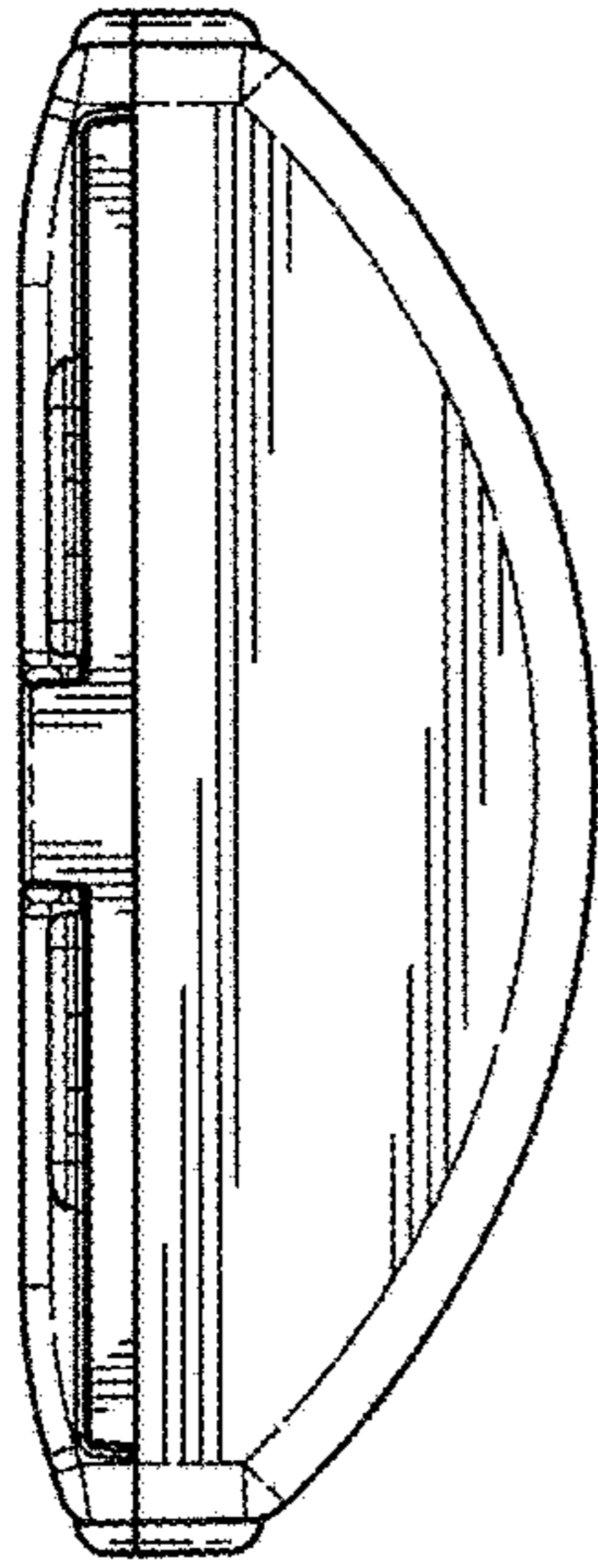


FIG. 6

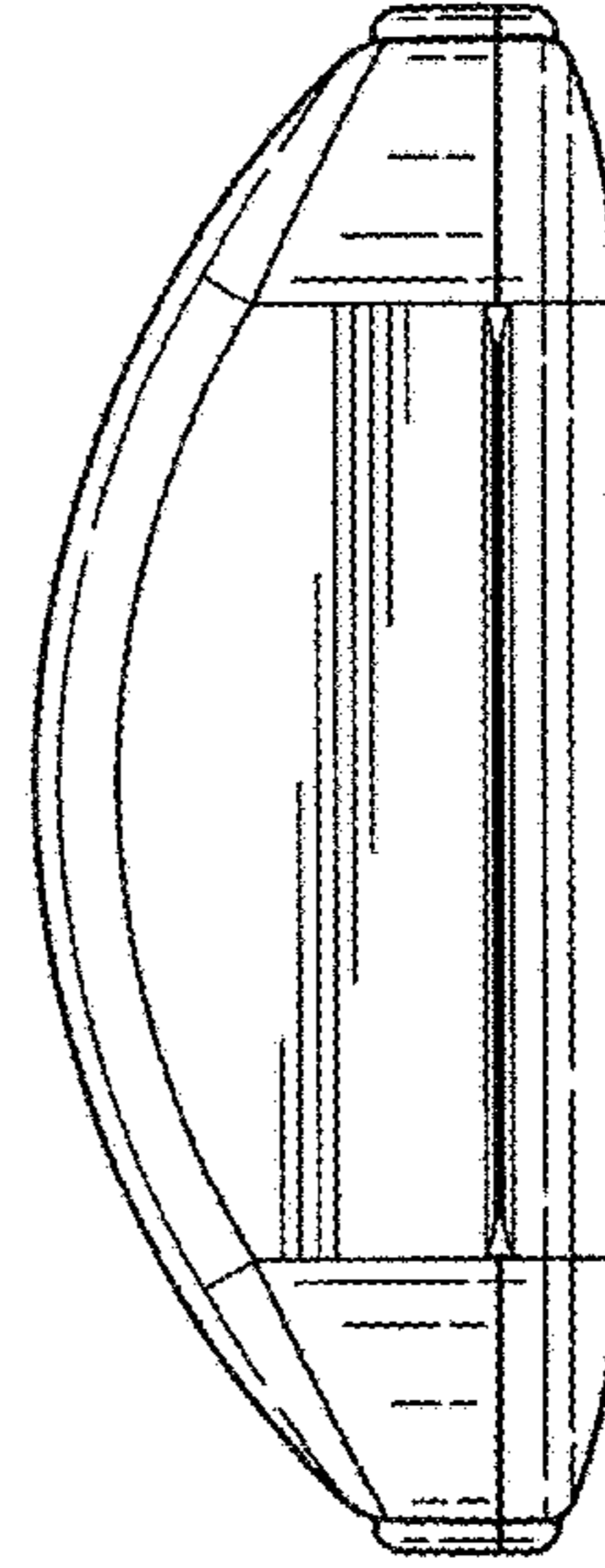


FIG. 7

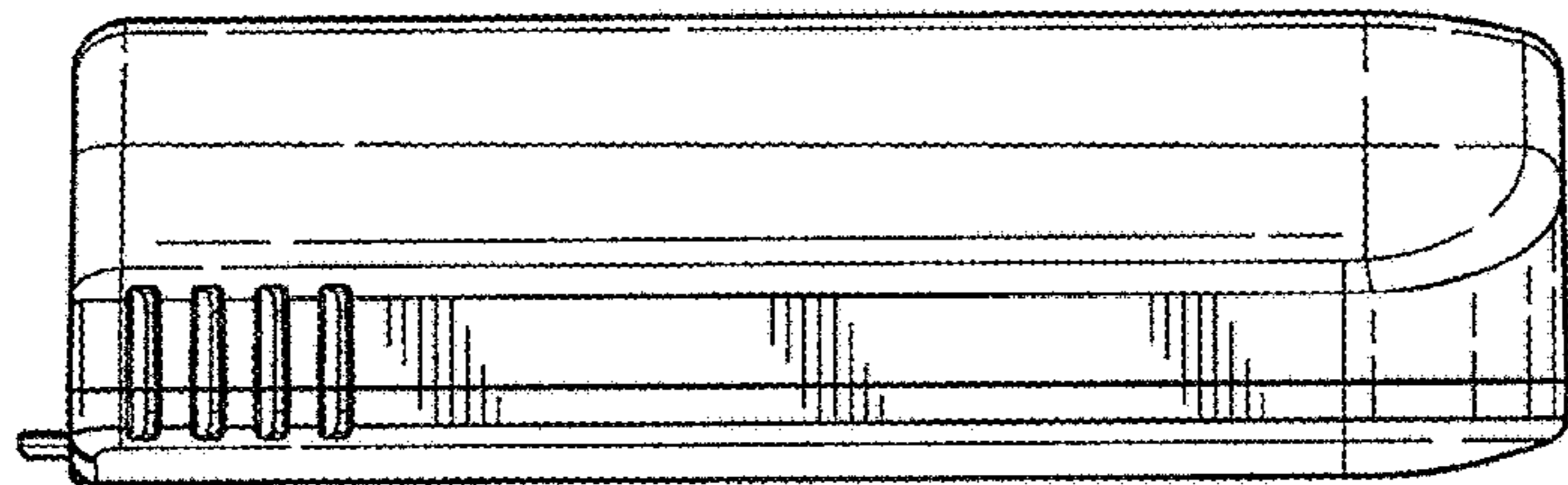


FIG. 5

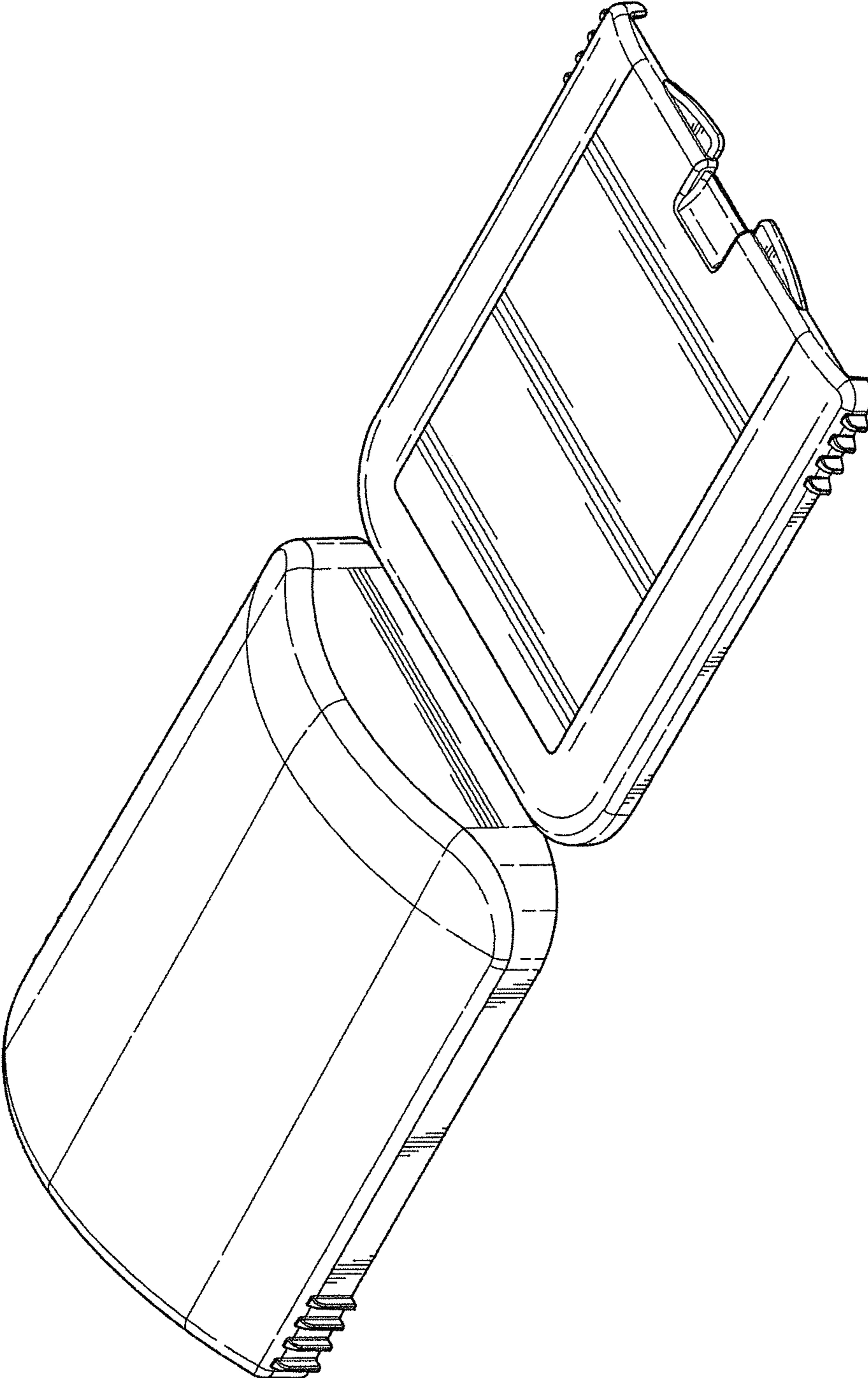


FIG. 8

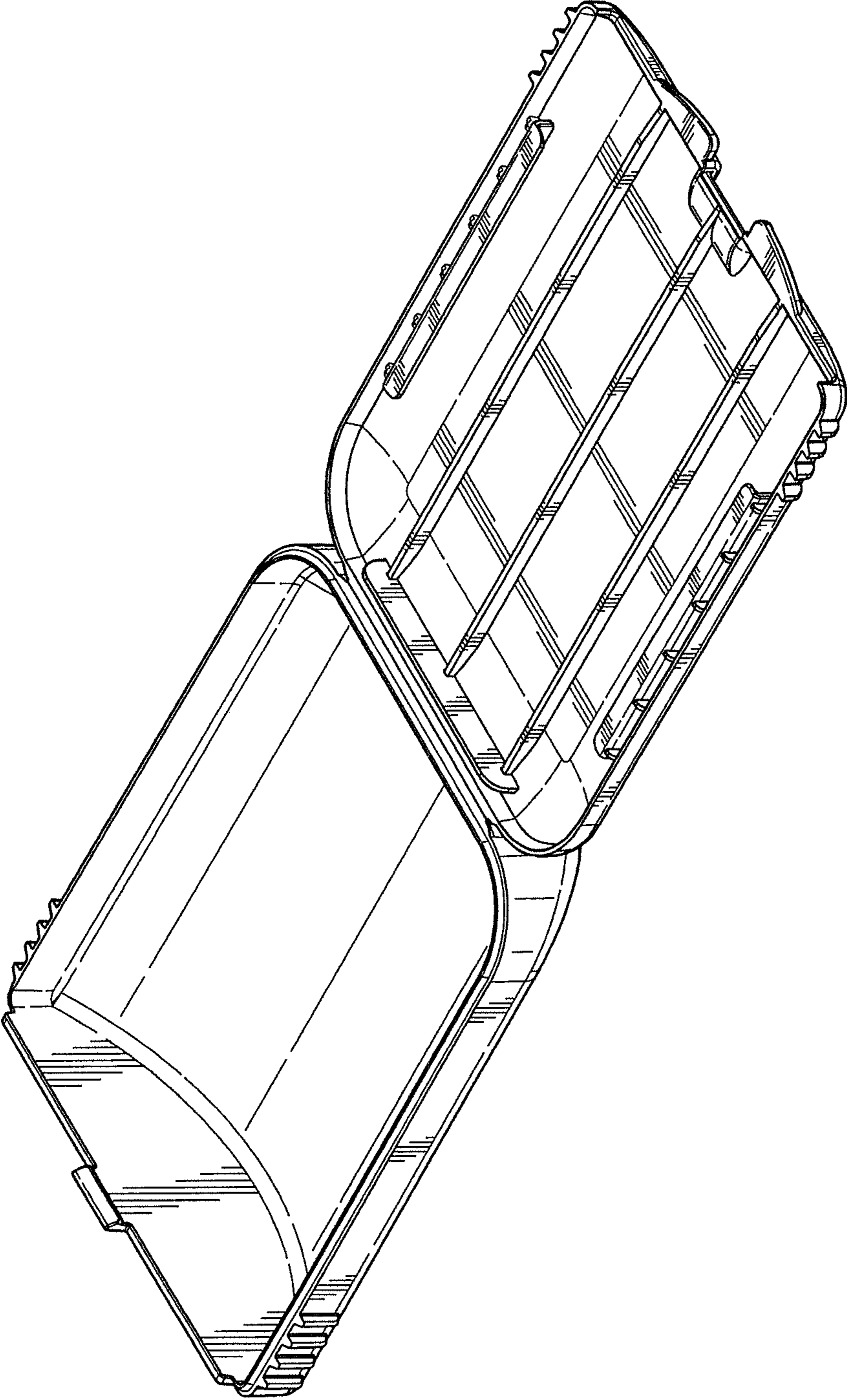


FIG. 9

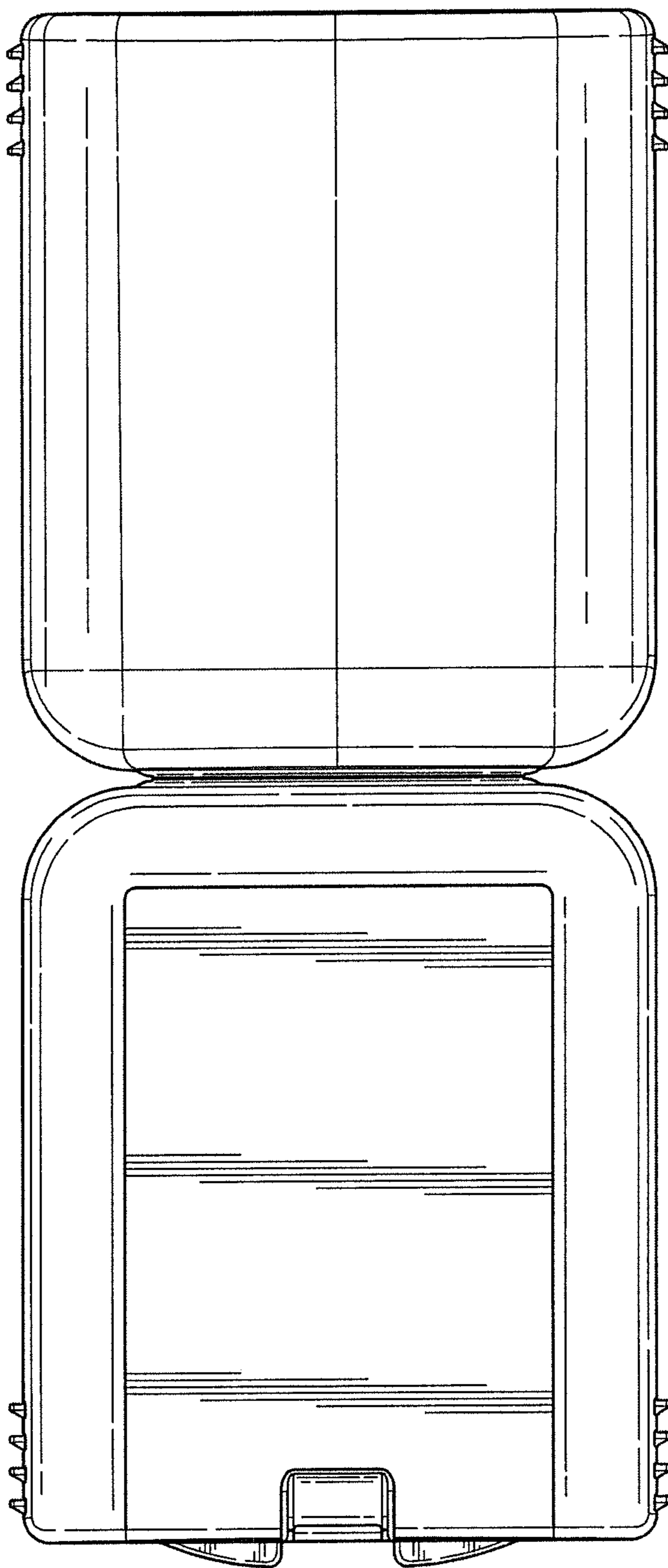


FIG. 10

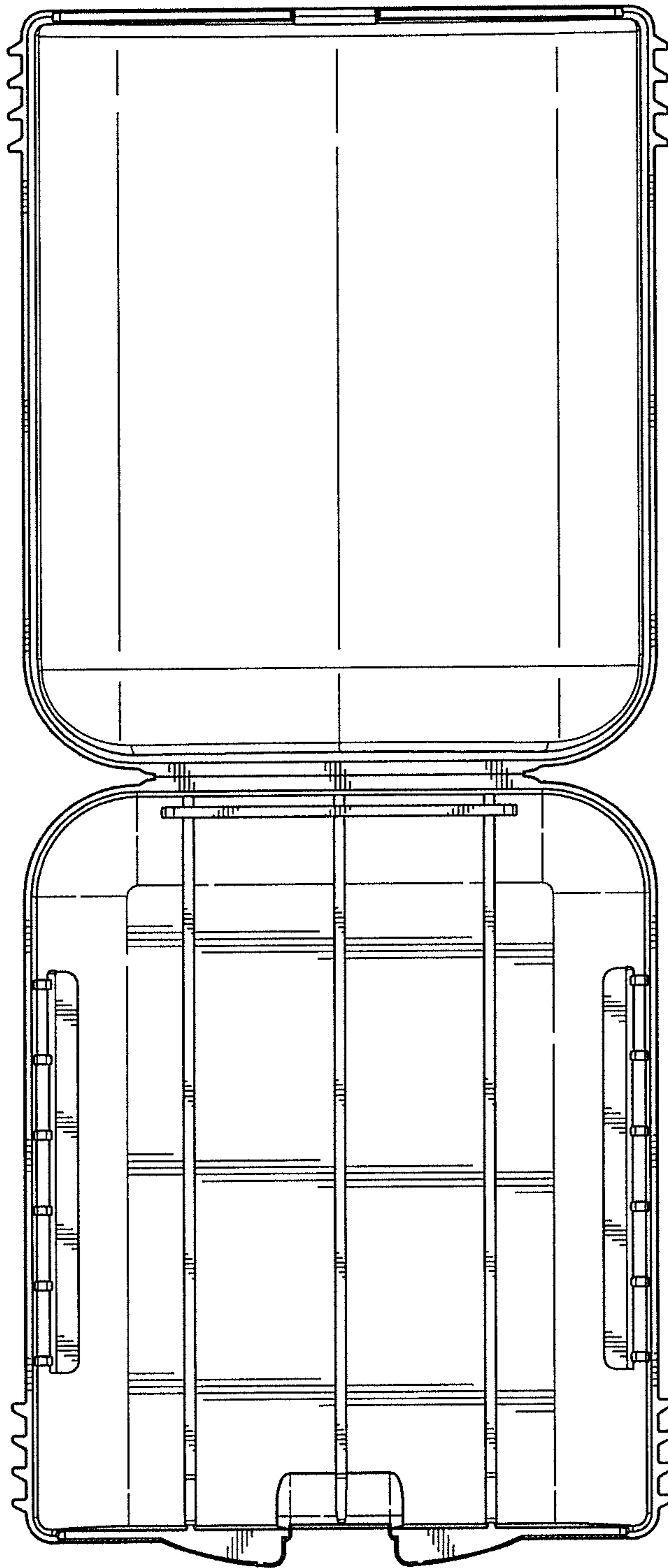


FIG. 11

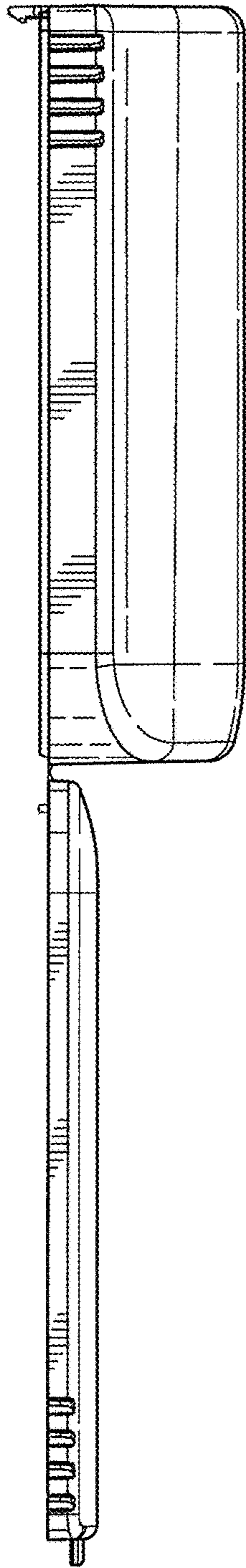


FIG. 12

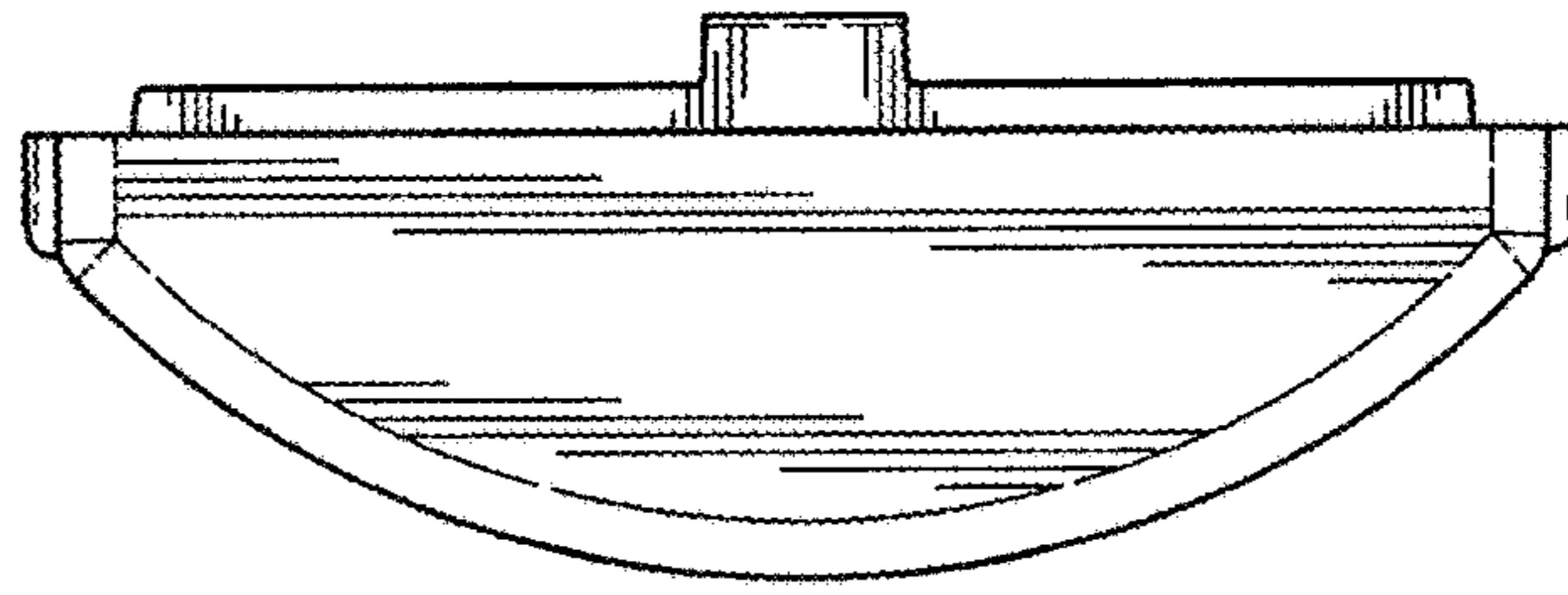


FIG. 13

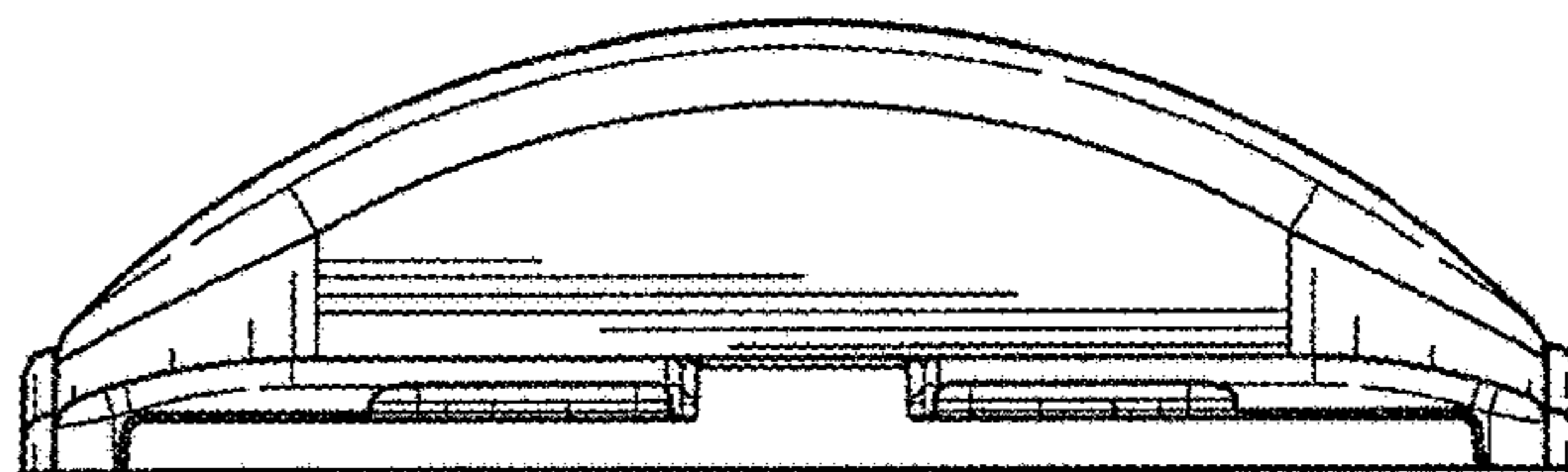


FIG. 14