



US00D823577S

(12) **United States Design Patent**
Milovidova

(10) **Patent No.:** **US D823,577 S**
(45) **Date of Patent:** **** Jul. 24, 2018**

- (54) **SIDE-LACED DRESS**
- (71) Applicant: **Mariya Milovidova**, San Jose, CA (US)
- (72) Inventor: **Mariya Milovidova**, San Jose, CA (US)
- (**) Term: **15 Years**
- (21) Appl. No.: **29/568,223**
- (22) Filed: **Jun. 16, 2016**
- (51) **LOC (11) Cl.** **02-02**
- (52) **U.S. Cl.**
USPC **D2/756**
- (58) **Field of Classification Search**
USPC D2/756, 728, 735, 757, 785, 790, 796,
D2/851, 625, 635, 702
CPC . A41D 1/10; A41D 1/00; A41D 1/062; A41D
25/04; A41D 2300/33; A41B 9/06; A41B
9/00; A41C 1/00
See application file for complete search history.

- D670,890 S * 11/2012 Pouches D2/742
- D739,995 S * 10/2015 Howie D2/756
- D755,476 S * 5/2016 Waldman D2/735
- D770,128 S * 11/2016 Howie D2/728
- D799,160 S * 10/2017 Meng D2/756
- D806,357 S * 1/2018 Waldman D2/731

* cited by examiner

Primary Examiner — Robin V Webster
Assistant Examiner — James C Thorn, Sr.

(56) **References Cited**

U.S. PATENT DOCUMENTS

- 1,427,087 A * 8/1922 Boober A41C 1/00
450/111
- D124,988 S * 2/1941 Barclay D2/702
- 2,260,526 A * 10/1941 Hodovan A41D 1/08
2/228
- 2,405,711 A * 8/1946 Rosner A41C 1/00
450/127
- 2,410,083 A * 10/1946 Kispert A41F 1/04
450/138
- 2,442,225 A * 5/1948 Versoy A41C 1/00
450/139
- D257,741 S * 12/1980 Williams D2/702

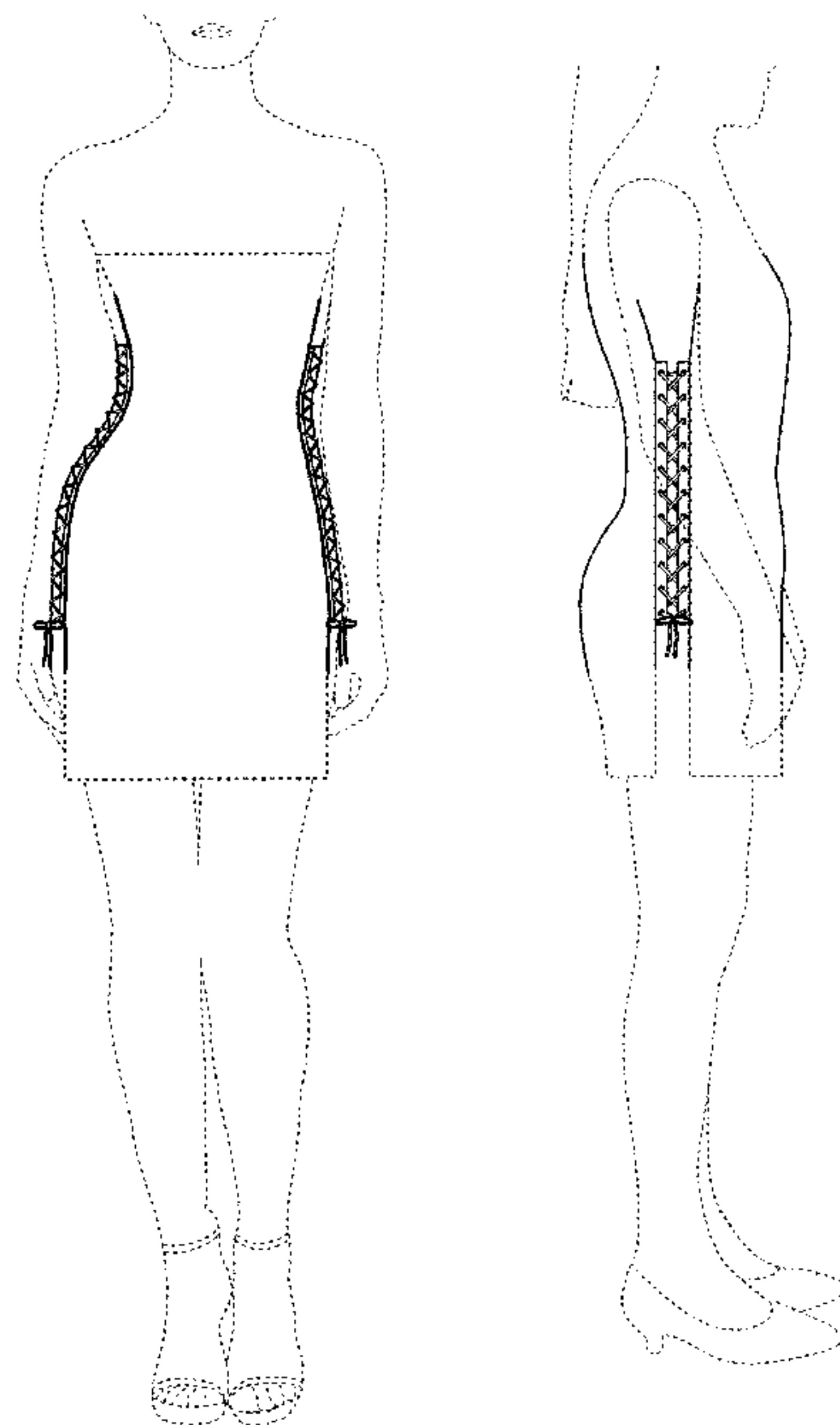
(57) **CLAIM**

The ornamental design for a side-laced dress, as shown and described.

DESCRIPTION

FIG. 1 is a front view of a side-laced dress showing my new design in its environmental use;
 FIG. 2 is a back view thereof, shown in its environmental use;
 FIG. 3 is a left side view thereof, shown in its environmental use;
 FIG. 4 is a right side view thereof, shown in its environmental use; and,
 FIG. 5 is a detailed side view thereof, showing the leather and laces.
 My side-laced dress is characterized by a versatile fabric dress for women that can be laced and adjusted for size and body shape with the leather-seamed lacing design on both sides. Broken lines in drawings represent environmental structure and inform no part of the claimed design.

1 Claim, 3 Drawing Sheets



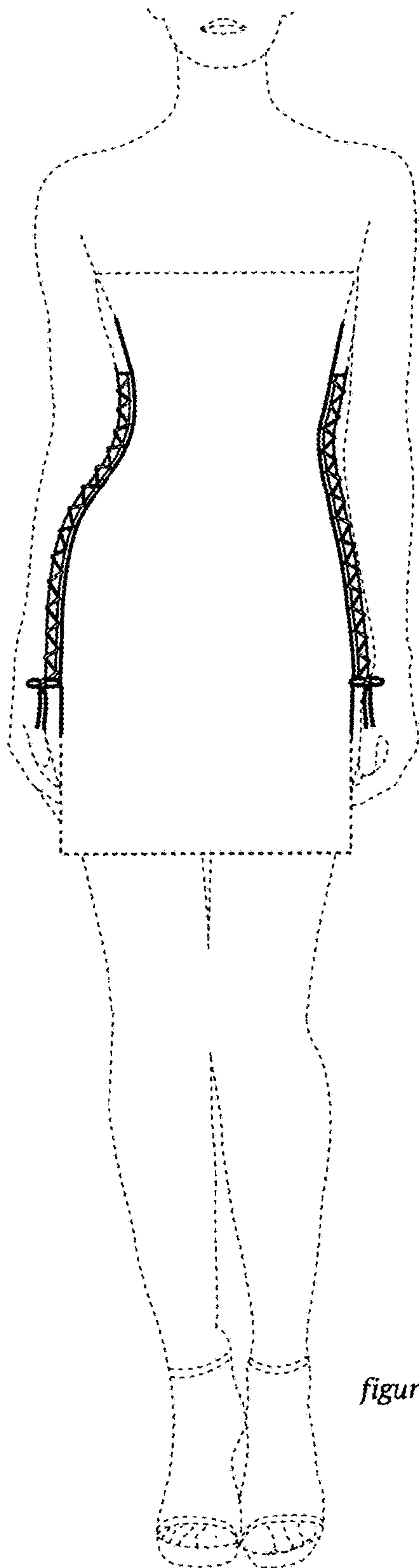


figure 1.

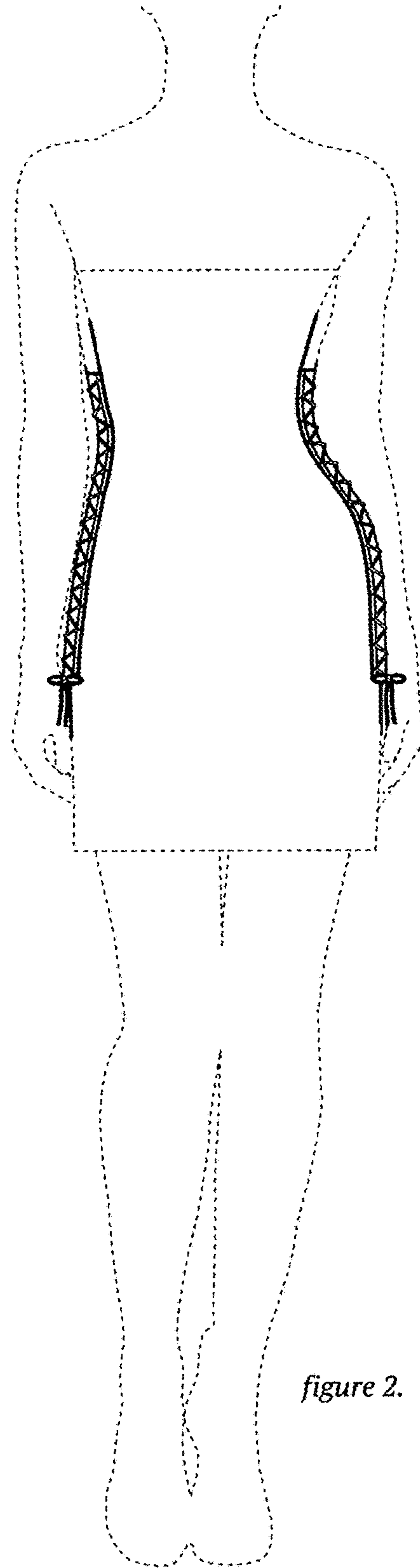


figure 2.

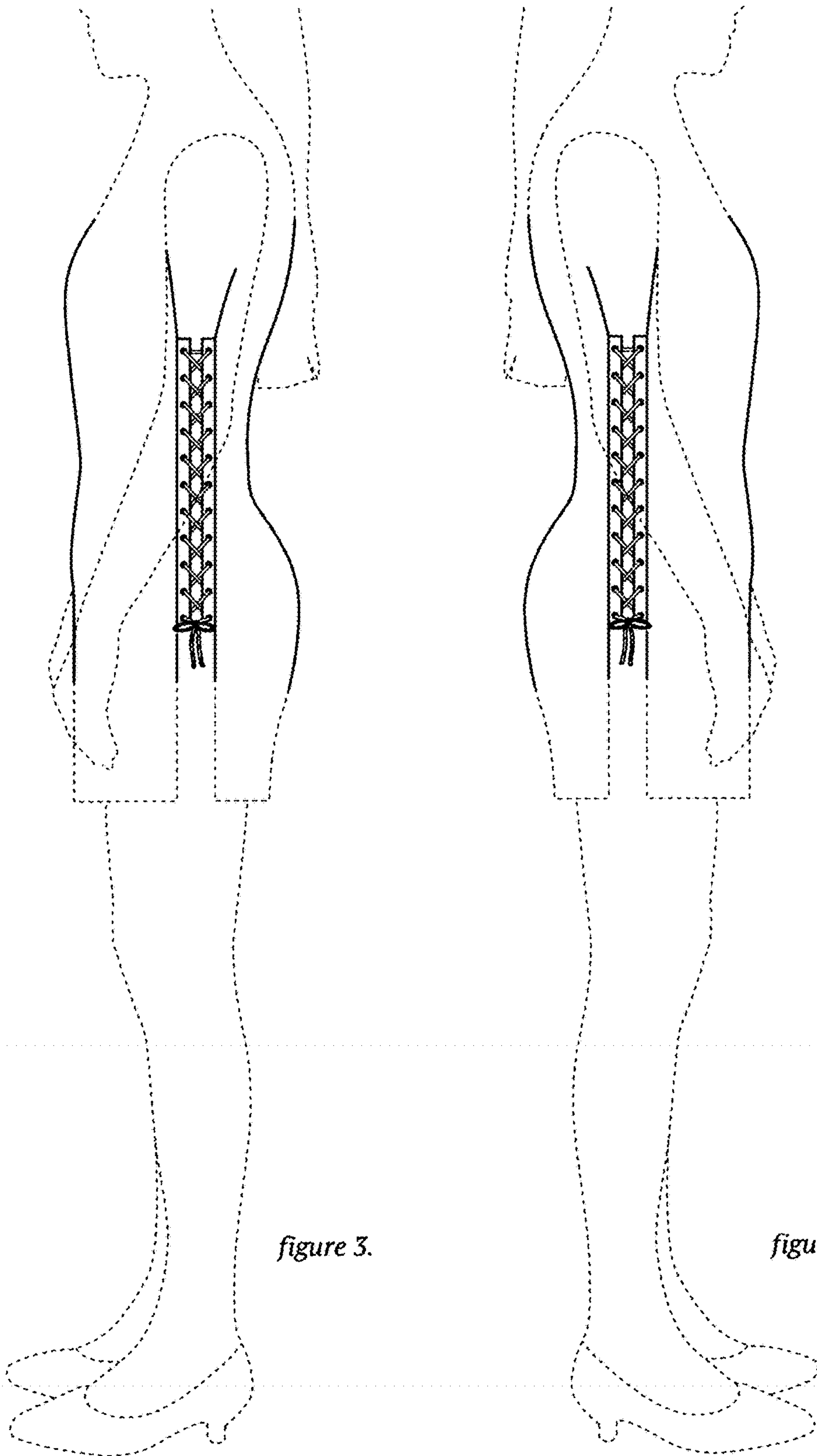


figure 3.

figure 4.

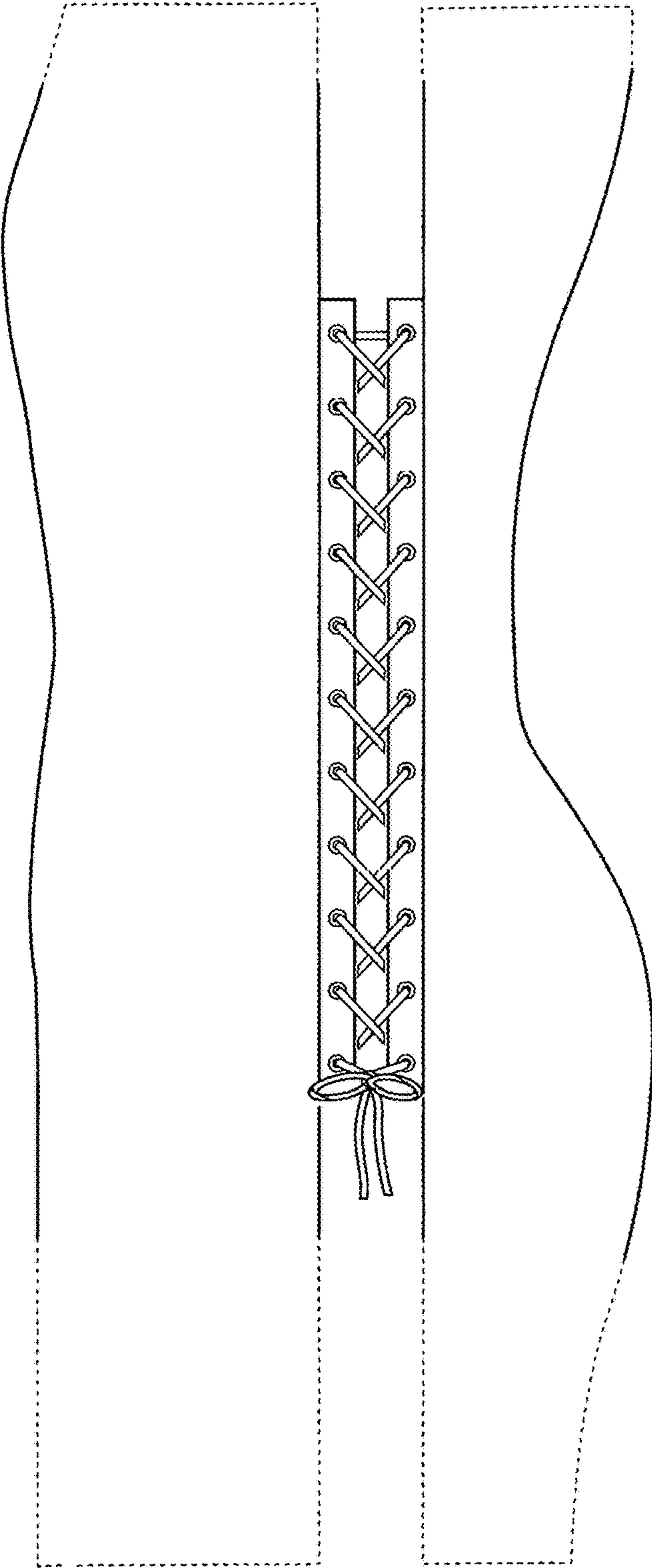


figure 5.