



US00D823573S

(12) **United States Design Patent**
Delarosa

(10) **Patent No.:** **US D823,573 S**
(45) **Date of Patent:** **** Jul. 24, 2018**

(54) **GLOVE**
(71) Applicant: **Andres Delarosa**, Immokalee, FL (US)
(72) Inventor: **Andres Delarosa**, Immokalee, FL (US)
(**) Term: **15 Years**
(21) Appl. No.: **29/598,917**
(22) Filed: **Mar. 29, 2017**
(51) **LOC (11) Cl.** **02-06**
(52) **U.S. Cl.**
USPC **D2/617**
(58) **Field of Classification Search**
USPC D2/617-621; D29/113, 117.1, 117.2
CPC A41D 19/00; A63B 69/0059
See application file for complete search history.

D652,607 S * 1/2012 Robbins D2/617
D658,335 S * 4/2012 Felder, Sr. D24/190
D716,287 S * 10/2014 Ambriz D14/253
8,925,423 B1 1/2015 Rotolo
D748,342 S * 1/2016 Kaniaru D2/617
D763,516 S * 8/2016 Robbins D2/617
D770,690 S * 11/2016 Robbins D2/617
D772,529 S * 11/2016 Sekhon D2/617
D796,119 S * 8/2017 Carlston A63B 71/14
D29/113
2009/0049956 A1 2/2009 Brennan
2015/0059043 A1* 3/2015 Dwyer A41D 13/081
2/20

FOREIGN PATENT DOCUMENTS

WO WO9405173 3/1994

OTHER PUBLICATIONS

Pearl LeatherGlove, posted at amazon.com, posting date Sep. 4, 2012, [online], [site visited Feb. 16, 2018]. Available from Internet, URL: <https://www.amazon.com/pearl-leatherglove-thumb-half-finger/dp/b0095yuqtc>.*

(Continued)

Primary Examiner — George D. Kirschbaum
Assistant Examiner — Maria J Edwards

(57) **CLAIM**

The ornamental design for a glove, as shown and described.

DESCRIPTION

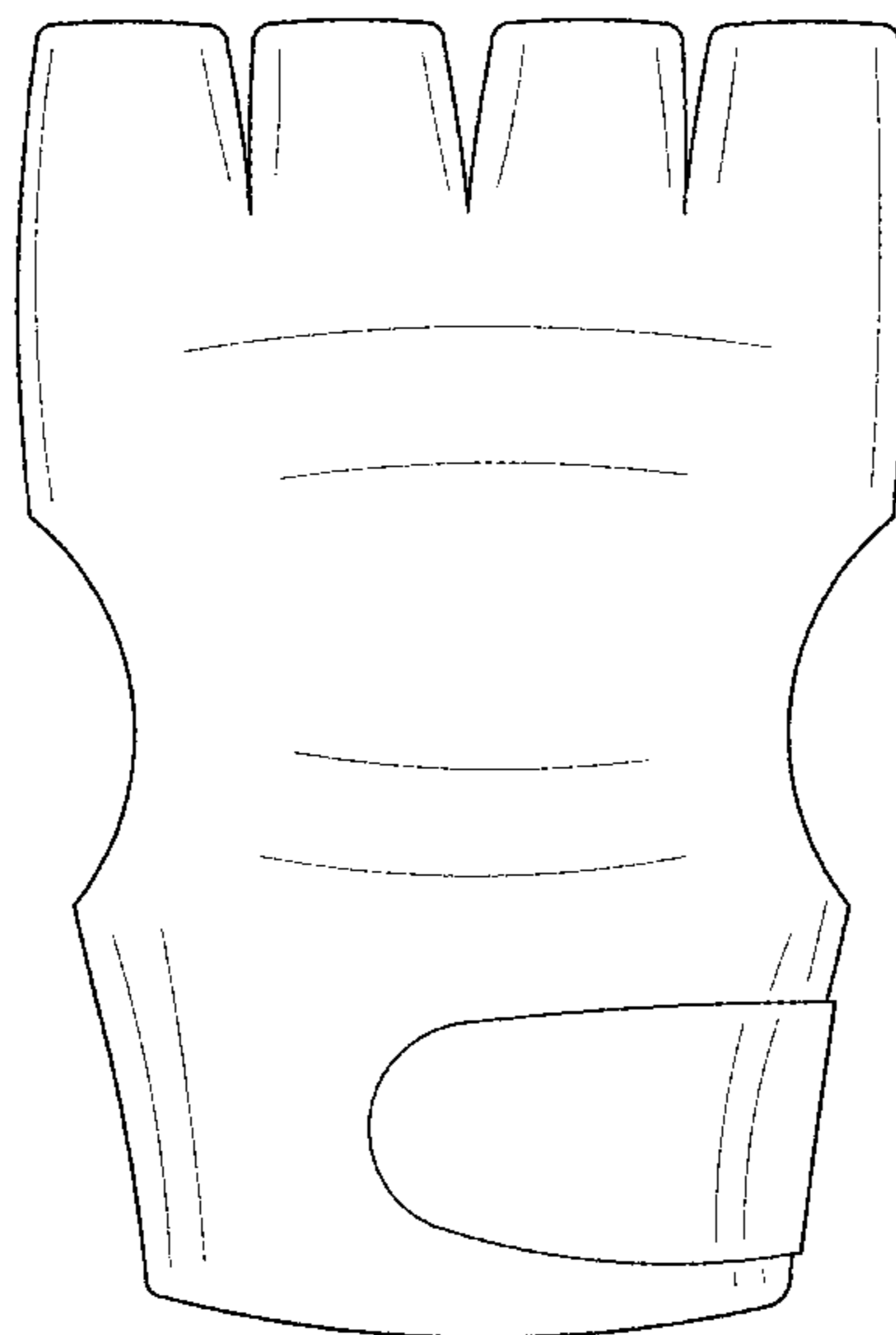
FIG. 1 is a front view of a glove showing my new design; FIG. 2 is a rear view of the glove; FIG. 3 is a left side view of the glove; FIG. 4 is a right side view of the glove; FIG. 5 is a top view of the glove; and, FIG. 6 is a bottom view of the glove.

1 Claim, 4 Drawing Sheets

(56) **References Cited**

U.S. PATENT DOCUMENTS

2,309,516 A * 1/1943 Lindfelt A63B 71/146
2/161.2
2,314,545 A * 3/1943 Lindfelt A63B 71/146
2/159
2,344,080 A * 3/1944 Burgett A41D 19/00
2/161.2
D229,253 S * 11/1973 Angelo D29/113
D236,044 S * 7/1975 Carter 2/161.2
D259,955 S * 7/1981 Helferich 2/16
D294,736 S * 3/1988 Thygesen D24/189
4,894,866 A 1/1990 Walker
5,133,233 A 7/1992 Erwin
D335,368 S * 5/1993 Houston D2/617
5,261,299 A 11/1993 Kondos
5,276,922 A 1/1994 Floyd, Jr.
D382,087 S * 8/1997 Arshed D2/617
6,000,058 A 12/1999 Iselin
6,098,497 A 8/2000 Larose
D596,828 S * 7/2009 Sofer D2/617
D640,856 S * 7/2011 Rose D2/614



(56)

References Cited

OTHER PUBLICATIONS

Pro Series Advanced Open Palm MMA Gloves, posted at us.badboy.com, posting date not given, [online], [site visited Feb. 16, 2018]. Available from Internet, URL: <https://us.badboy.com/products/pro-series-advanced-open-palm-mma-gloves-without-a-thumb?variant=8642793832490>.*

Steel Sweat Workout Gloves, posted at amazon.com, posting date not given, [online], [site visited Feb. 16, 2018]. Available from Internet, URL: <https://www.amazon.com/Workout-Gloves-Weightlifting-Training-CrossFit/dp/B01L30N2S2>.*

Venum Challenger MMA Gloves, posted at venum.com, posting date not given, [online], [site visited Feb. 16, 2018]. Available from Internet, URL: <https://www.venue.com/venue-challenger-mma-gloves-without-thumb.html>.*

* cited by examiner

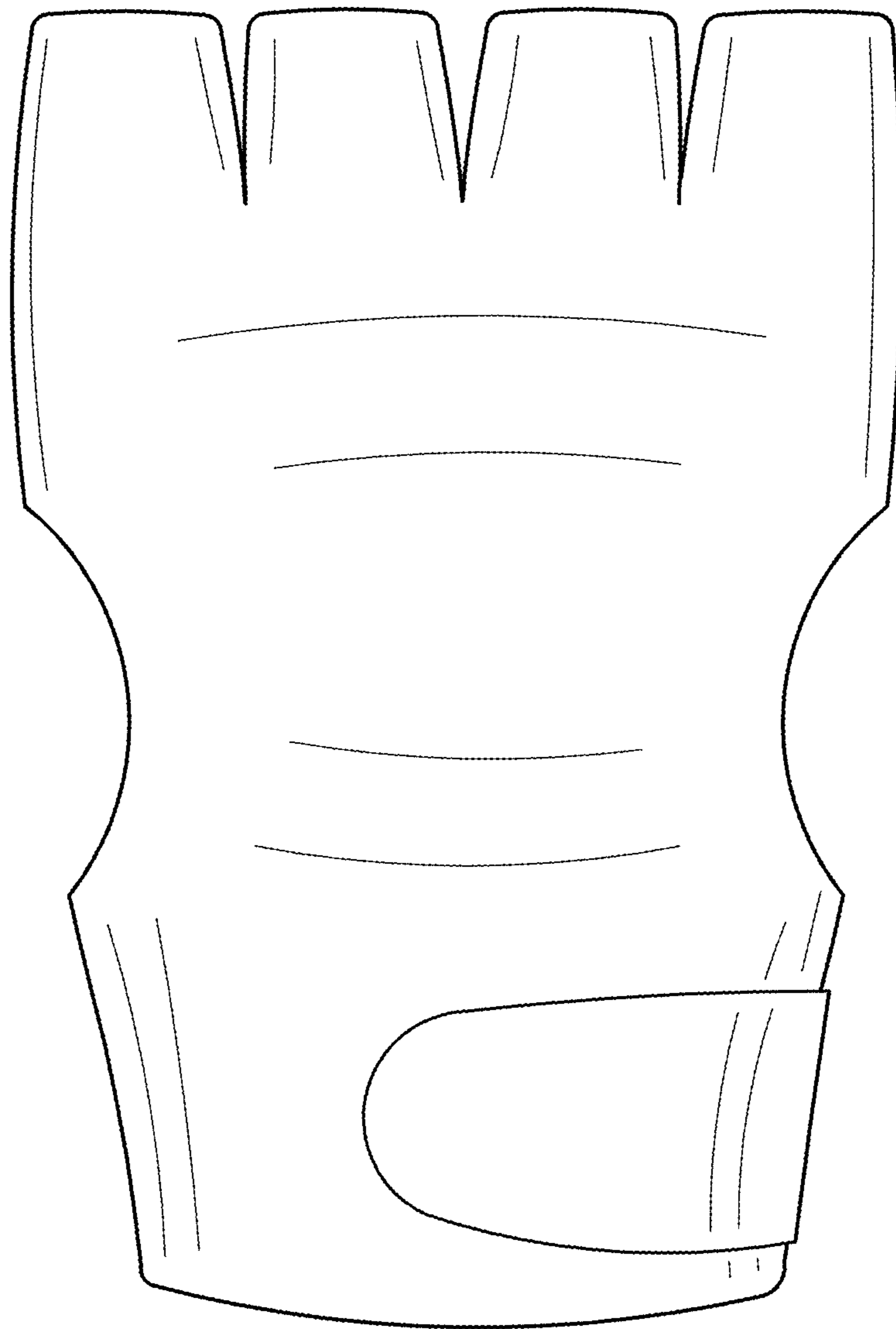


FIG. 1

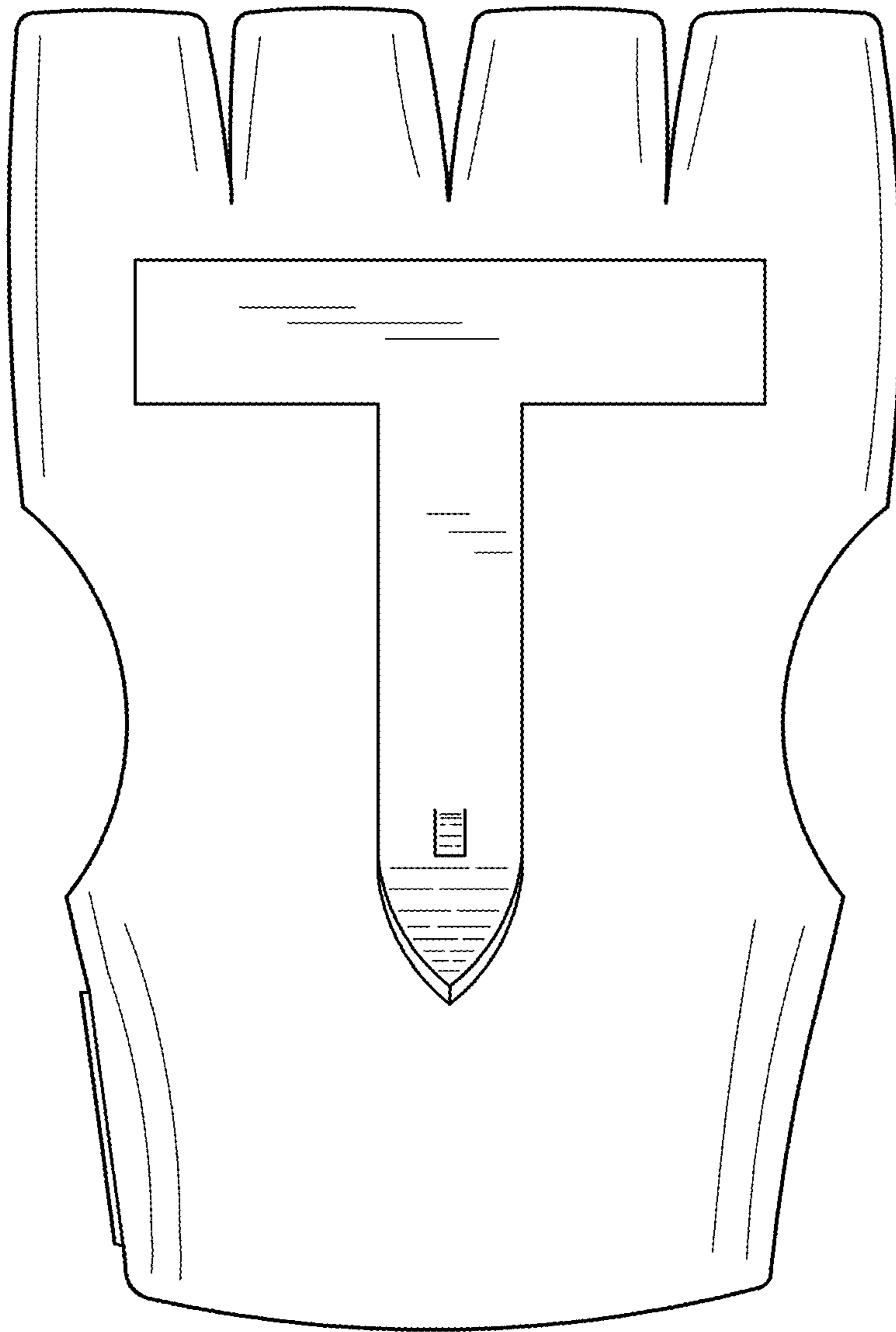


FIG. 2

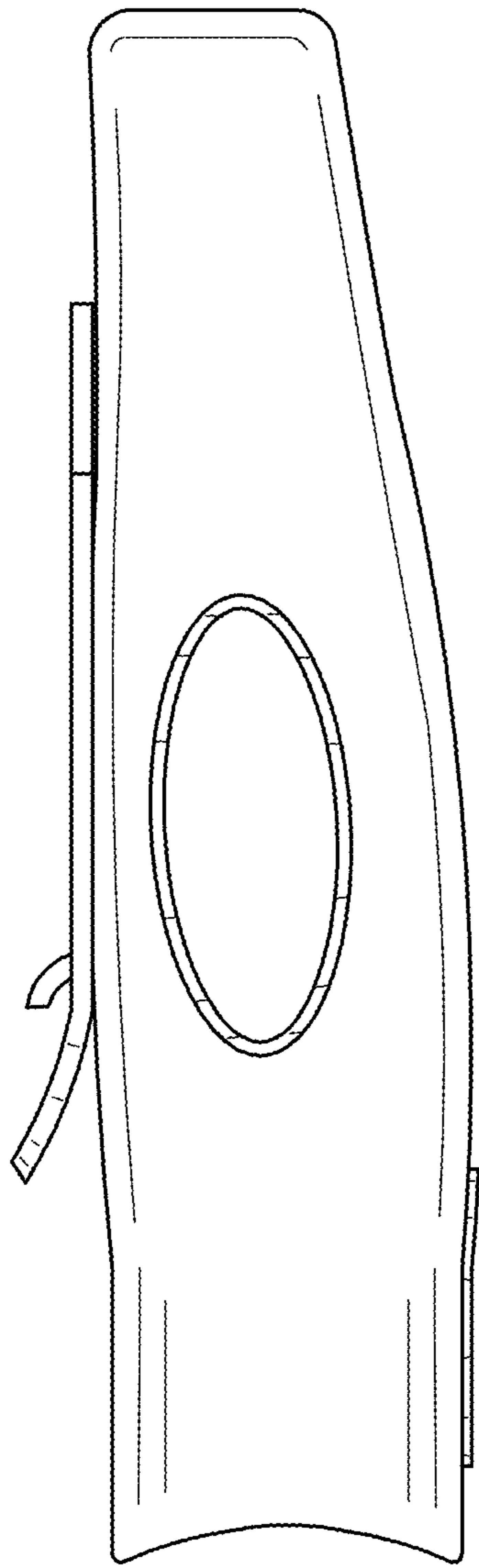


FIG. 3

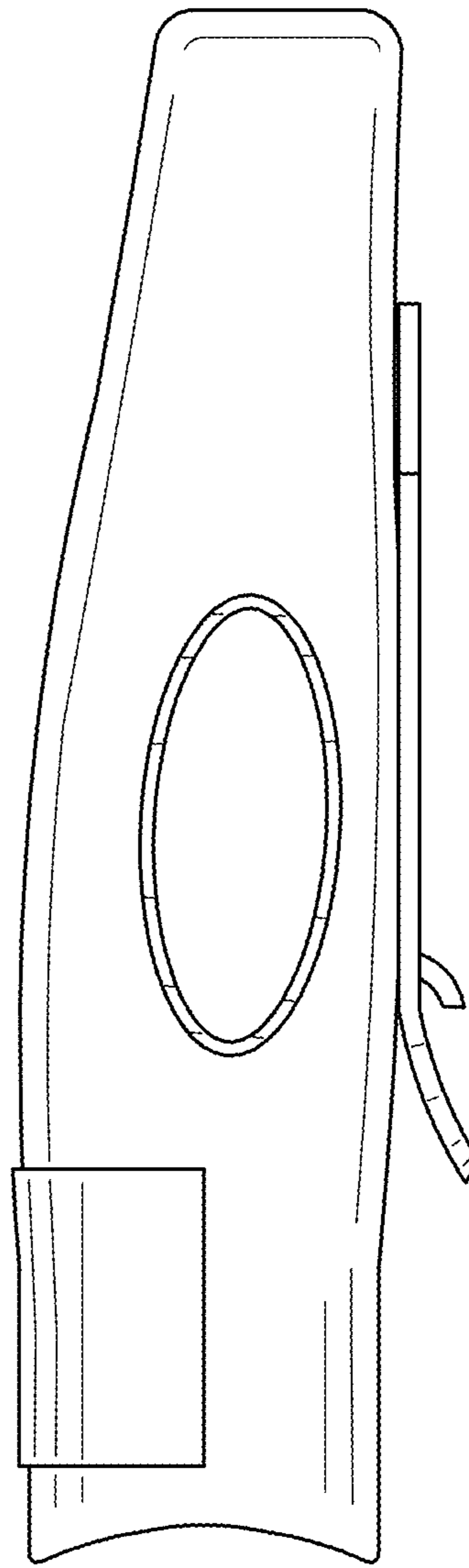


FIG. 4

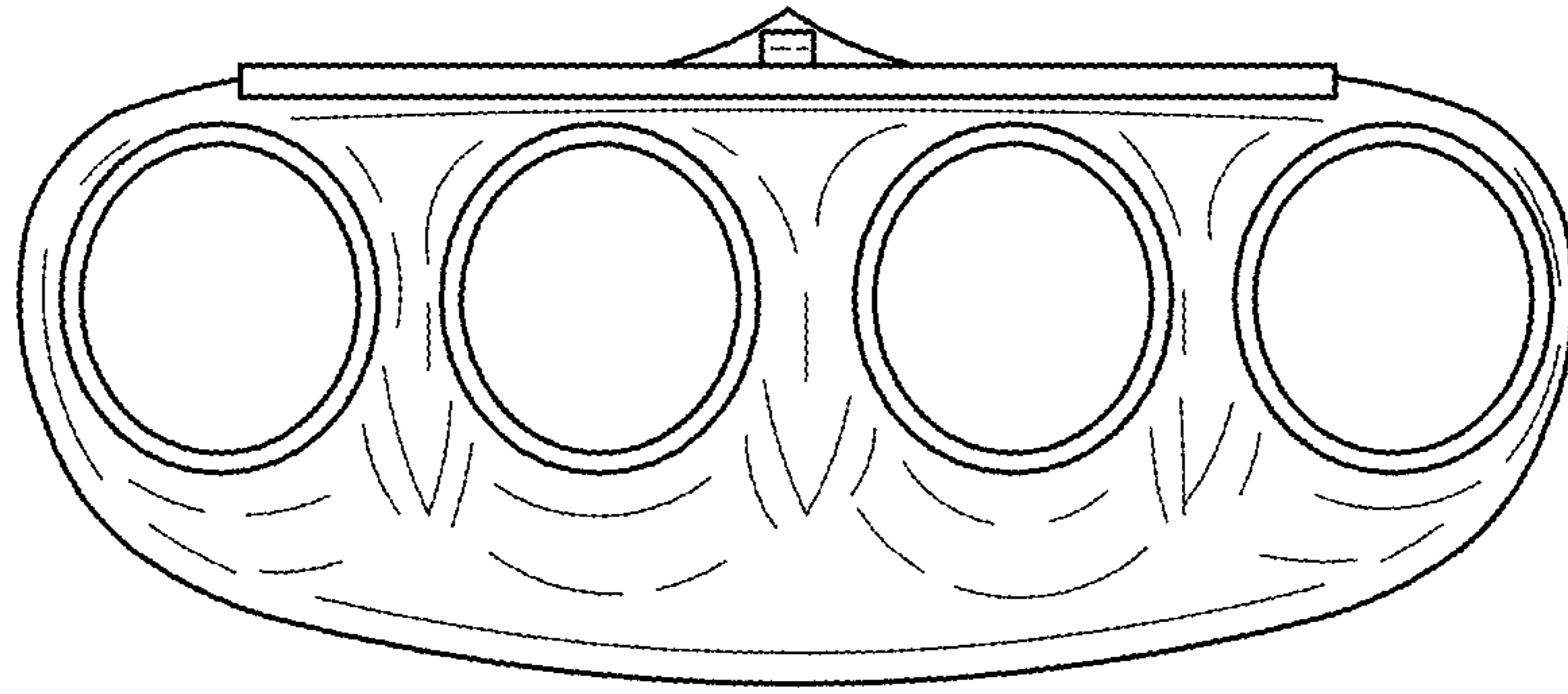


FIG. 5

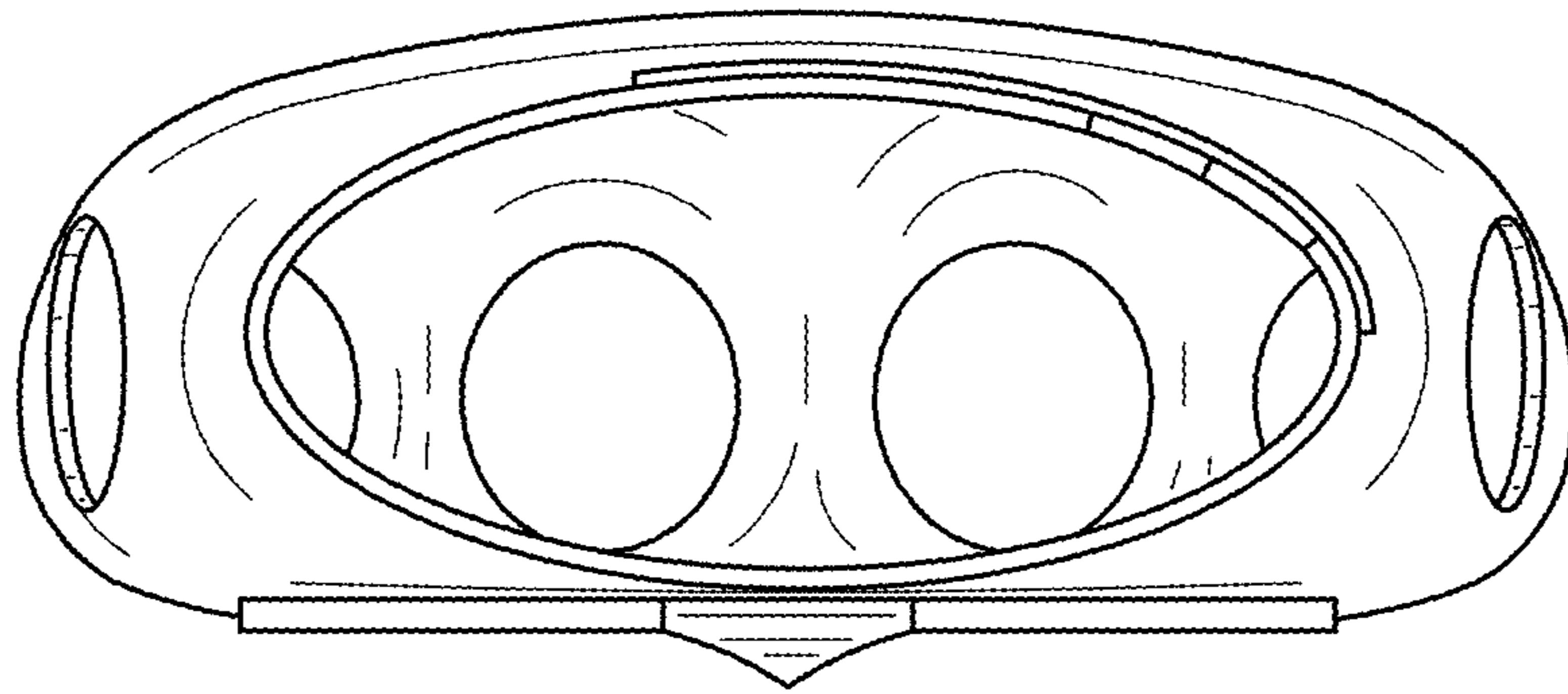


FIG. 6