



US00D823569S

(12) **United States Design Patent** (10) **Patent No.:** **US D823,569 S**
Fox et al. (45) **Date of Patent:** **** Jul. 17, 2018**

(54) **SERVICE JACK**
(71) Applicant: **VIS, LLC**, Travelers Rest, SC (US)
(72) Inventors: **Robert Fox**, Greenville, SC (US);
Chad James, Greenville, SC (US)
(73) Assignee: **VIS, LLC**, Travelers Rest, SC (US)
(**) Term: **15 Years**
(21) Appl. No.: **29/605,047**

D452,597 S 12/2001 Hung
D453,983 S * 2/2002 Lin D34/31
6,357,724 B1 3/2002 Hung
6,505,816 B1 1/2003 Hung
D480,195 S 9/2003 Koerlin
D480,196 S 9/2003 Hsu
D483,169 S 12/2003 Fox
D531,377 S 10/2006 Liu
D537,225 S 2/2007 Hernandez
D540,504 S 4/2007 Mathieson
D561,422 S 2/2008 Kuen
D571,072 S 6/2008 Kong et al.
D582,623 S * 12/2008 Qian D34/31
D590,121 S * 4/2009 Shen D34/31

(Continued)

(22) Filed: **May 23, 2017**
(51) **LOC (11) Cl.** **12-05**
(52) **U.S. Cl.**
USPC **D34/31**
(58) **Field of Classification Search**
USPC D34/28, 31, 35; 254/8 B, 2 B, 15, 93 H,
254/11, 17, 7 B, 8 R, 112
CPC B66F 5/04; B66F 5/00; B66F 13/00; B66F
1/00; B60P 1/48
See application file for complete search history.

Primary Examiner — Cynthia Ramirez
Assistant Examiner — Gino Colan
(74) *Attorney, Agent, or Firm* — J. Bennett Mullinax,
LLC

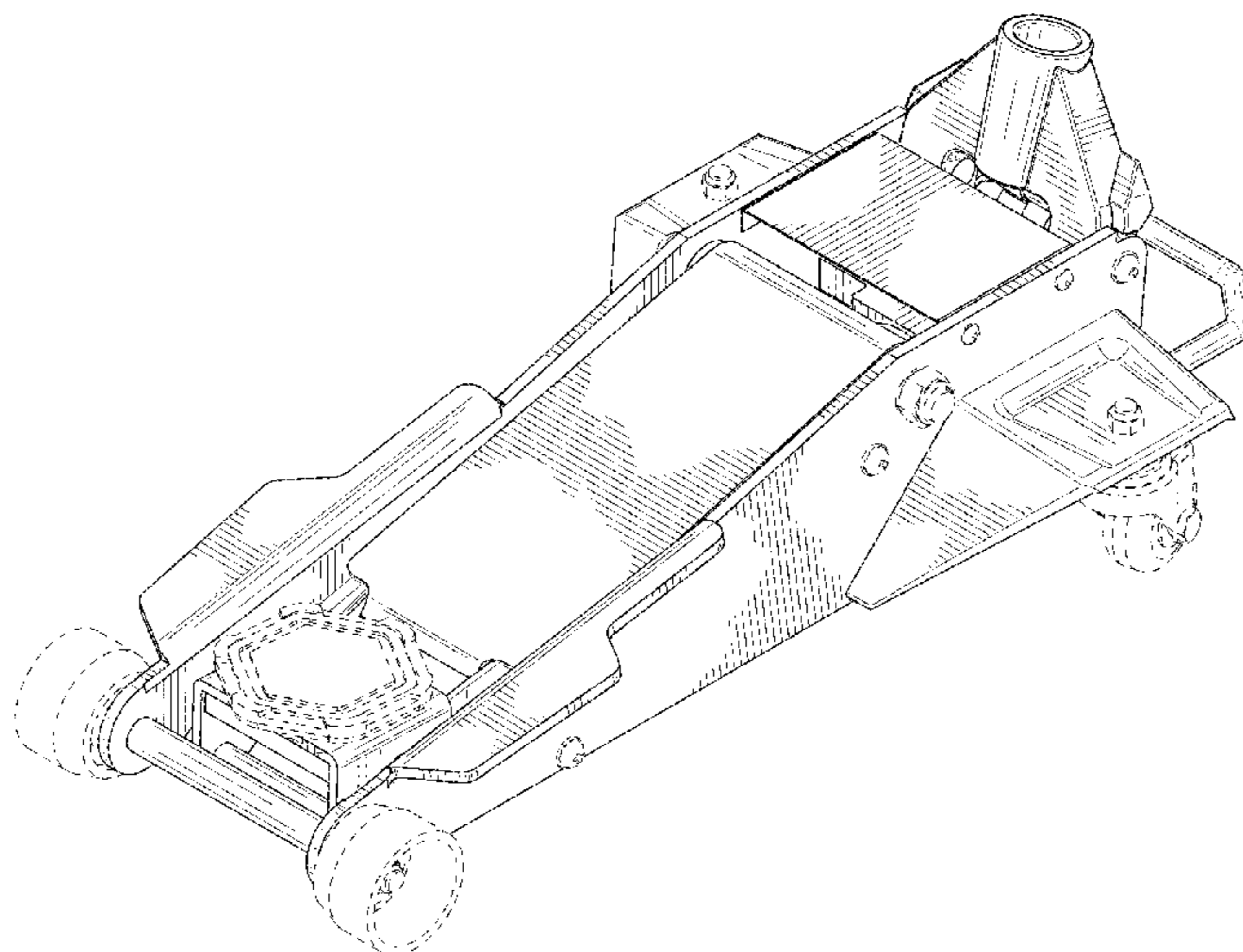
(57) **CLAIM**
The ornamental design for a service jack, as shown and described.

DESCRIPTION

(56) **References Cited**
U.S. PATENT DOCUMENTS
2,610,025 A 9/1952 Mueller
3,181,836 A 5/1965 Ames et al.
3,807,694 A 4/1974 Butomac
4,210,314 A 7/1980 Carroll et al.
4,473,213 A 9/1984 Decker
D284,417 S 6/1986 Yamagishi
D285,855 S 9/1986 Persson
D296,598 S 7/1988 Hung
4,765,593 A 8/1988 Hung
D332,337 S 1/1993 Wang
D358,923 S * 5/1995 Hawkins D34/31
D388,926 S 1/1998 Sorensen
D421,516 S 3/2000 Hung
6,086,047 A 7/2000 Lee
6,146,039 A 11/2000 Pool et al.
6,270,056 B1 8/2001 Blackburn

FIG. 1 is a front perspective view of the service jack as shown in FIG. 1;
FIG. 2 is a top view of the service jack as shown in FIG. 1;
FIG. 3 is a bottom view of the service jack as shown in FIG. 1;
FIG. 4 is a right side view of the service jack as shown in FIG. 1; the left side being a mirror image thereof;
FIG. 5 is a rear view of the service jack as shown in FIG. 1; and,
FIG. 6 is a front view of the service jack as shown in FIG. 1.
The broken lines shown in the figures are for the purpose of illustrating portions of the service jack and form no part of the claimed design.

1 Claim, 6 Drawing Sheets



(56)

References Cited

U.S. PATENT DOCUMENTS

D604,025	S	11/2009	Lin	
D628,760	S	12/2010	Fox et al.	
D688,845	S	8/2013	Hernandez et al.	
8,500,095	B1	8/2013	Salcedo	
8,608,131	B2	12/2013	Kania	
8,622,369	B2	1/2014	Kania	
D720,514	S	12/2014	Fox et al.	
D720,914	S	1/2015	Fox et al.	
D720,915	S	1/2015	Fox et al.	
D730,612	S *	5/2015	James	D34/31
D764,736	S	8/2016	Fox et al.	
D776,897	S *	1/2017	Fox	D34/31
D799,142	S *	10/2017	Fox	D34/31
D801,617	S *	10/2017	Fox	D34/31
2006/0278858	A1	12/2006	Brocchini	
2008/0083913	A1	4/2008	Fang et al.	

* cited by examiner

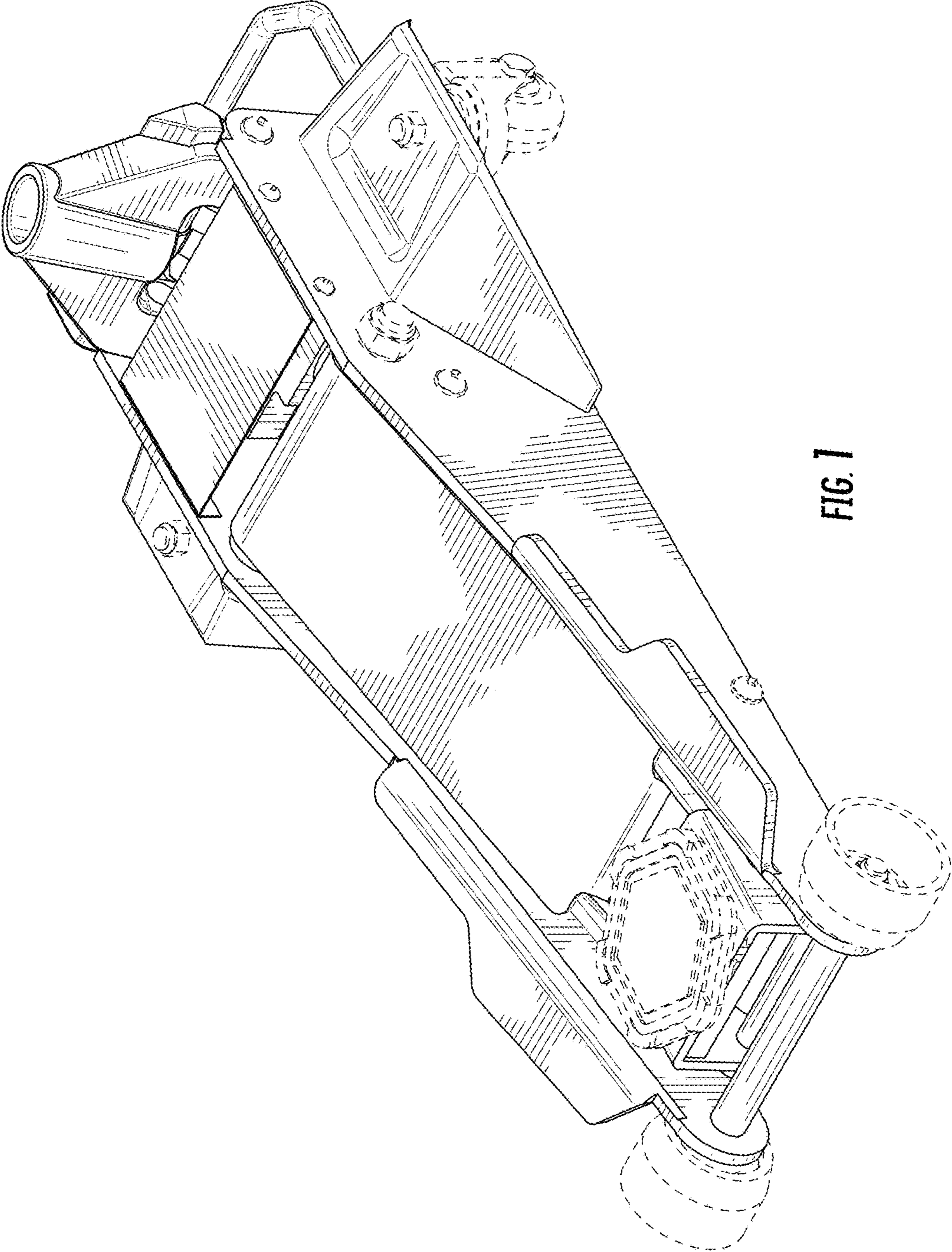


FIG. 1

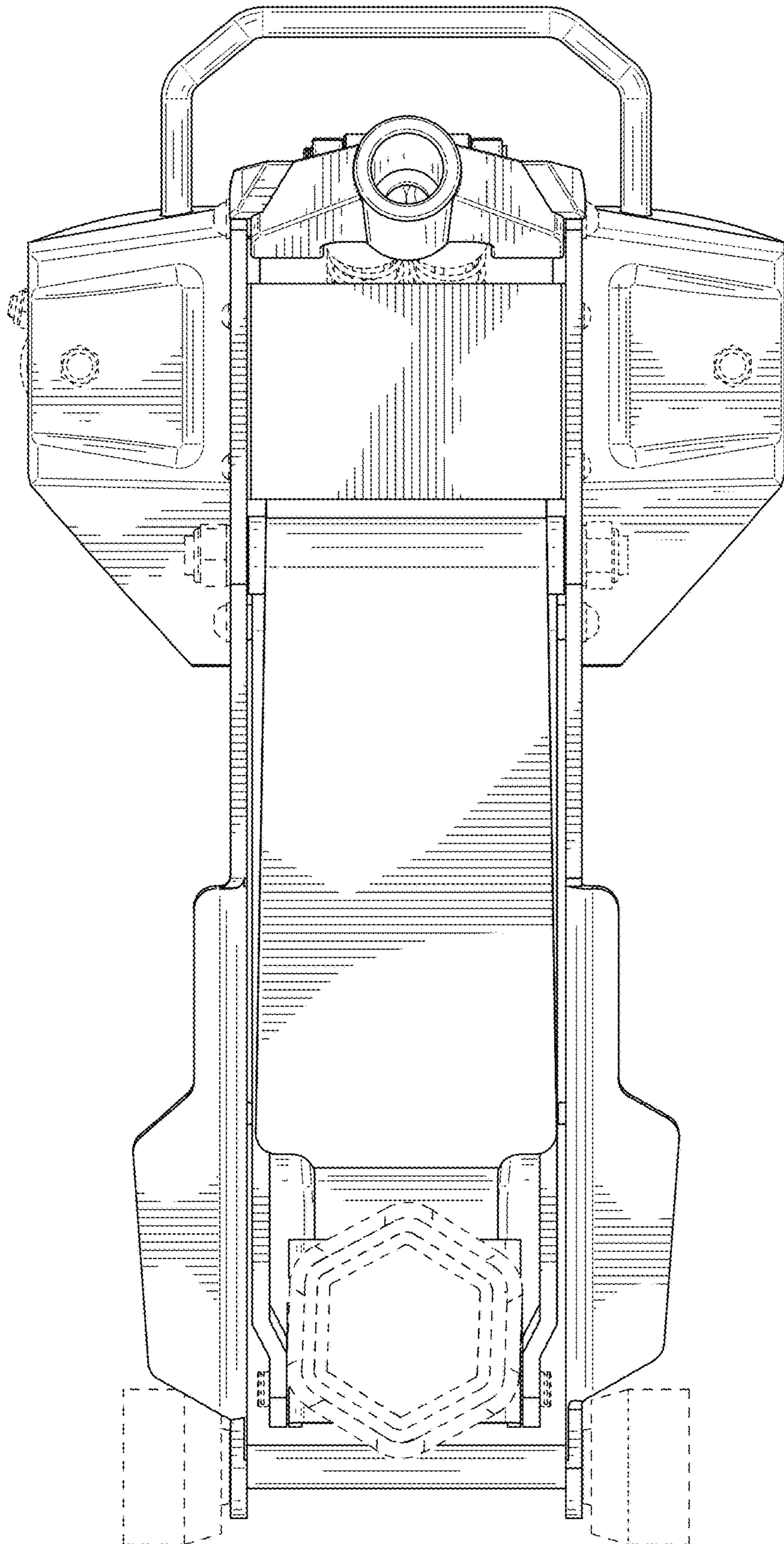


FIG. 2

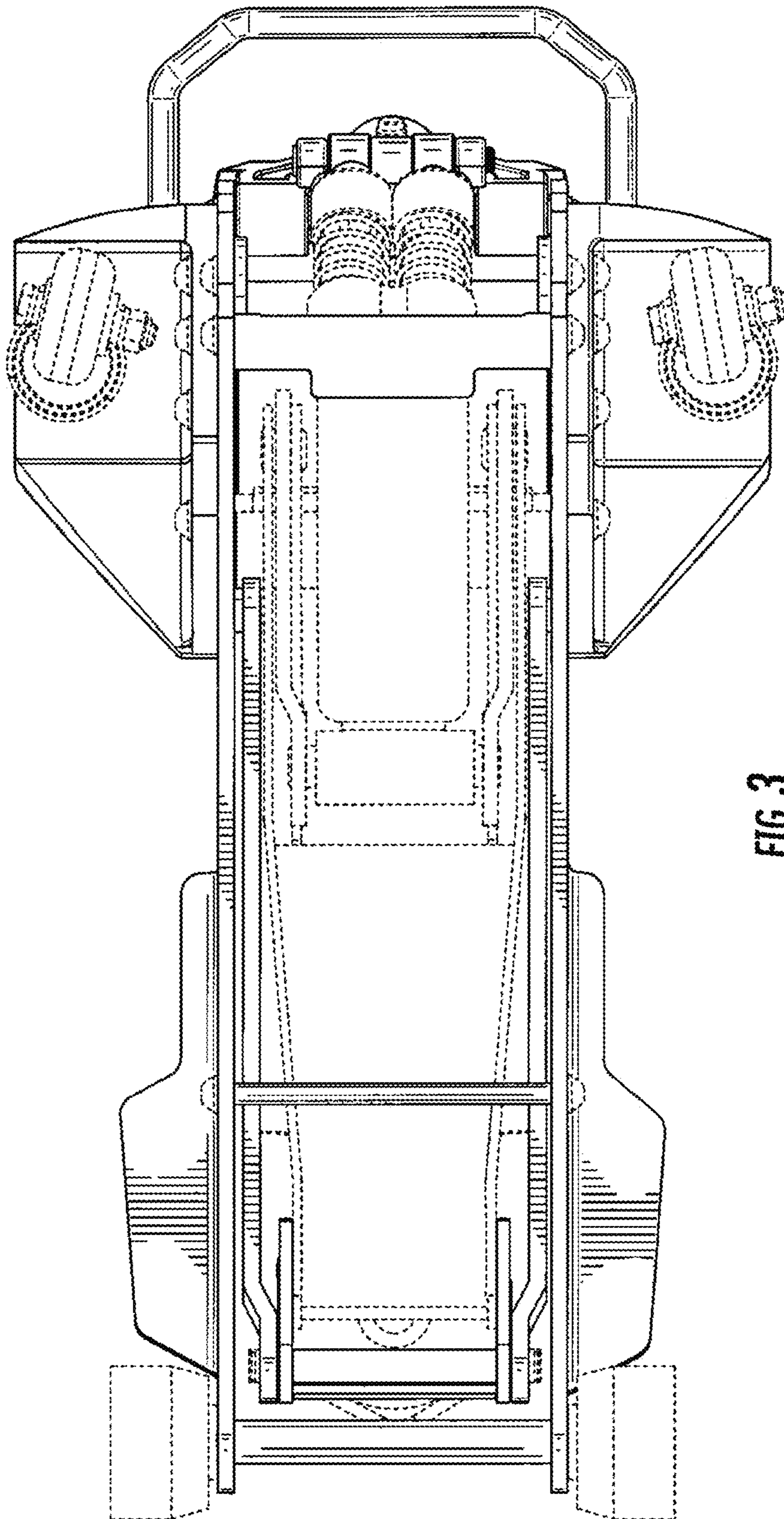


FIG. 3

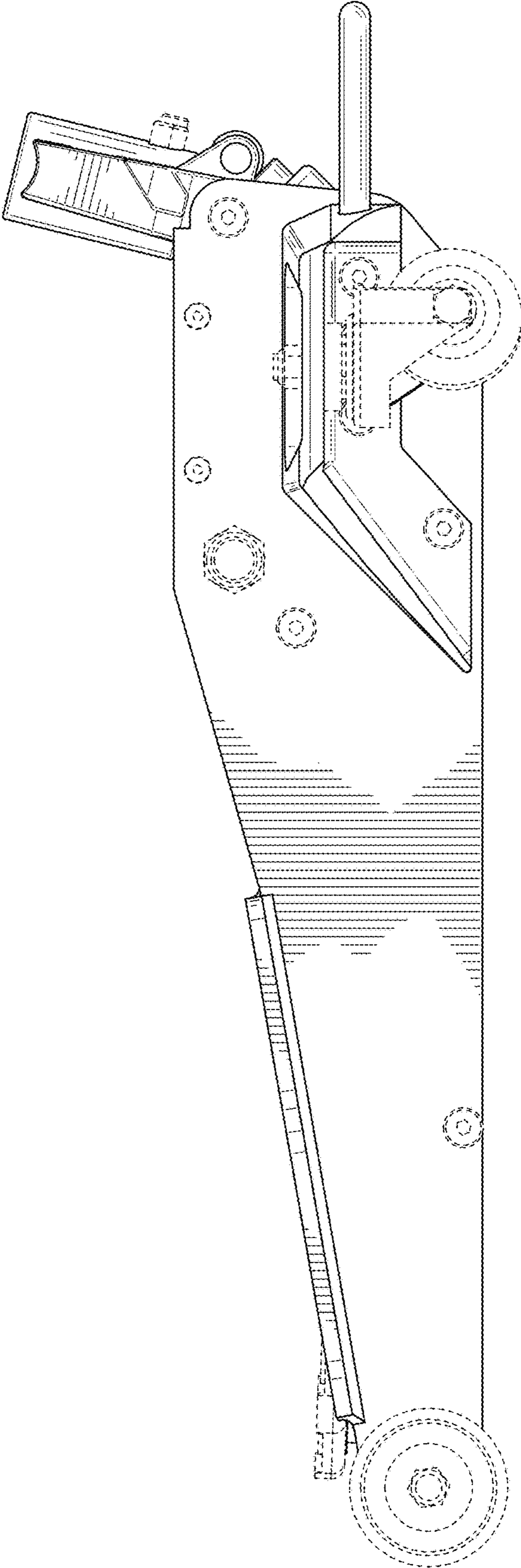


FIG. 4

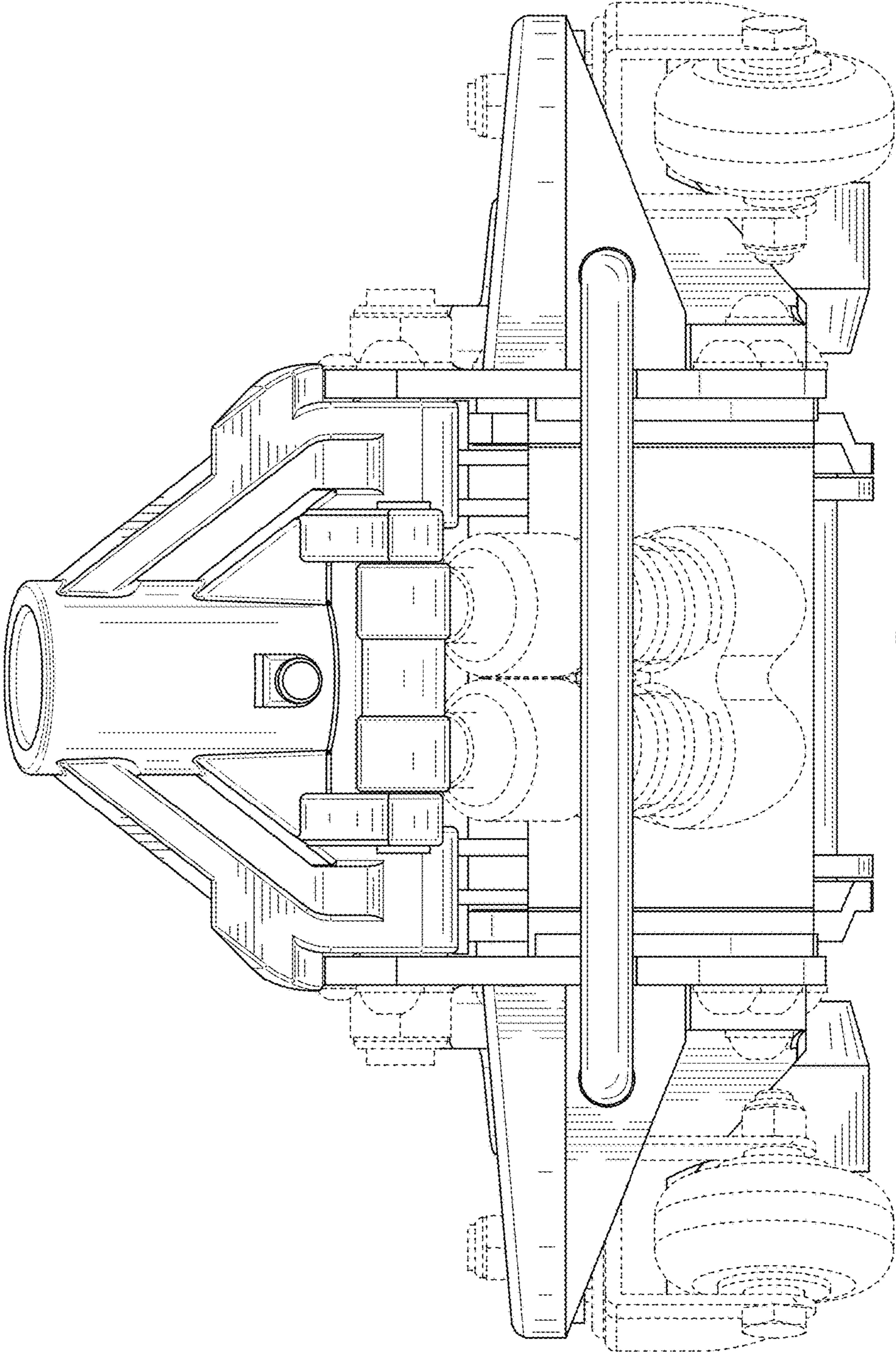


FIG. 5

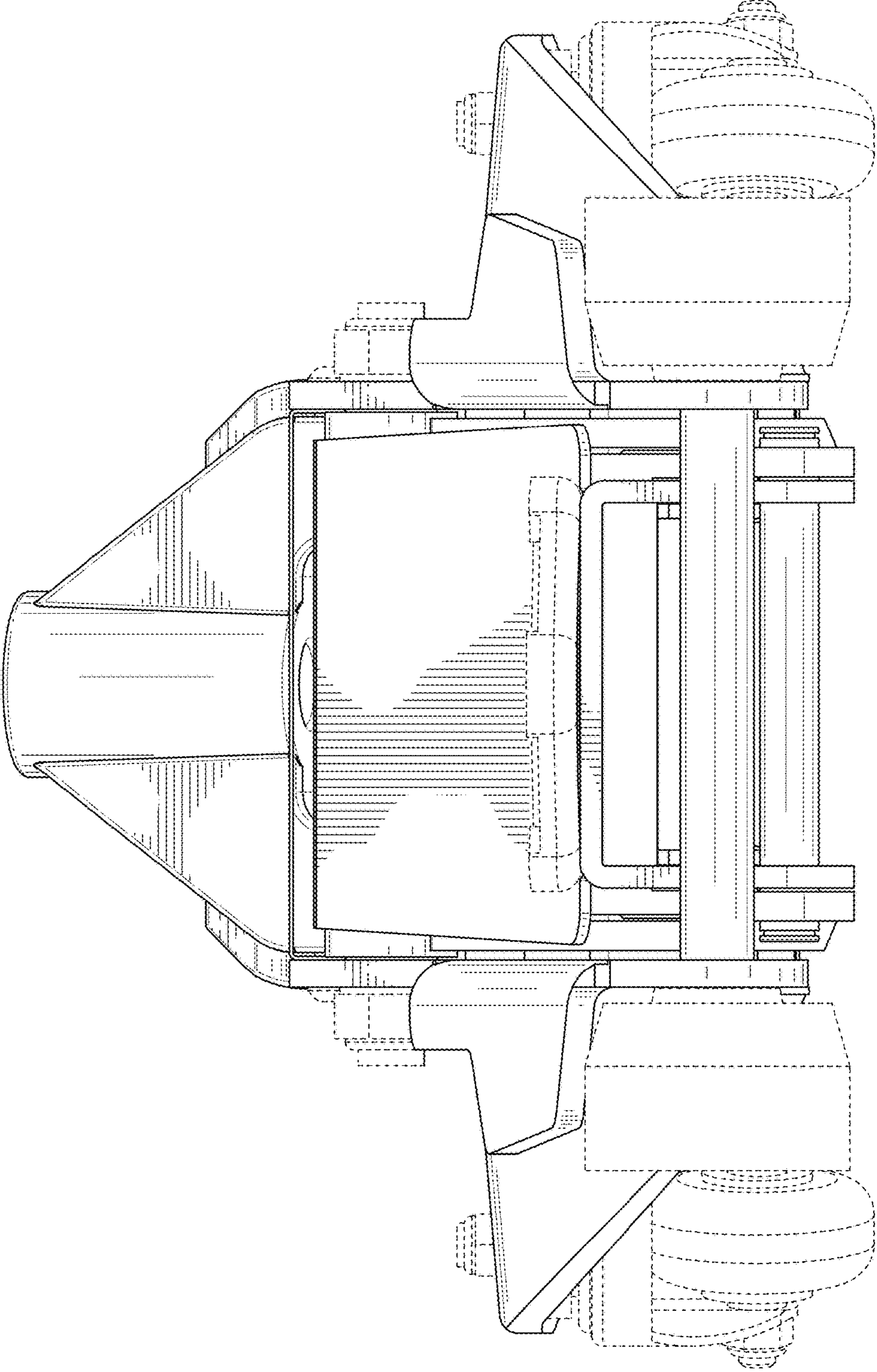


FIG. 6