



US00D823568S

(12) **United States Design Patent** (10) **Patent No.:** **US D823,568 S**
Lovett (45) **Date of Patent:** **** *Jul. 17, 2018**

(54) **REVERSIBLY-HINGED LID FOR DUMPSTER**

(71) Applicant: **Jason K Lovett**, Fox Road, GA (US)

(72) Inventor: **Jason K Lovett**, Fox Road, GA (US)

(*) Notice: This patent is subject to a terminal disclaimer.

(**) Term: **15 Years**

(21) Appl. No.: **29/529,032**

(22) Filed: **Jun. 3, 2015**

(51) **LOC (11) Cl.** **09-09**

(52) **U.S. Cl.**
USPC **D34/11**

(58) **Field of Classification Search**
USPC D34/1-11; 220/908, 315, 826, 811, 630,
220/200, 1.5; 280/47.26
CPC B65F 1/1615; B65F 1/163; B65F 1/16;
B65F 88/56
See application file for complete search history.

(56) **References Cited**

U.S. PATENT DOCUMENTS

4,771,940	A *	9/1988	Taylor	B65F 1/16 220/832
4,949,866	A *	8/1990	Sanders	B65F 1/16 220/810
D340,560	S *	10/1993	Taylor	D34/10
D362,325	S *	9/1995	Taylor	D34/11
D388,579	S *	12/1997	Taylor	D34/11
D395,106	S *	6/1998	Taylor	D34/11

D398,430	S *	9/1998	Taylor	D34/11
D491,329	S *	6/2004	Taylor	D34/11
D491,708	S *	6/2004	Taylor	D34/11
D513,179	S *	12/2005	Gavin	D34/11
D543,332	S *	5/2007	Taylor	D34/11
D547,918	S *	7/2007	Denbeste	D34/11
D569,069	S *	5/2008	Ireland	D34/11
D611,218	S *	3/2010	Connor	D34/11
7,743,937	B2 *	6/2010	Taylor	B65F 1/16 206/505
D727,585	S *	4/2015	Busch	D34/11
D730,009	S *	5/2015	Brom	D34/11
2003/0209557	A1 *	11/2003	Taylor	B65F 1/16 220/844
2005/0224507	A1 *	10/2005	Gavin	B29C 51/087 220/836

* cited by examiner

Primary Examiner — Cynthia Ramirez

(74) *Attorney, Agent, or Firm* — J.T. Hollin, Attorney at Law, P.C.

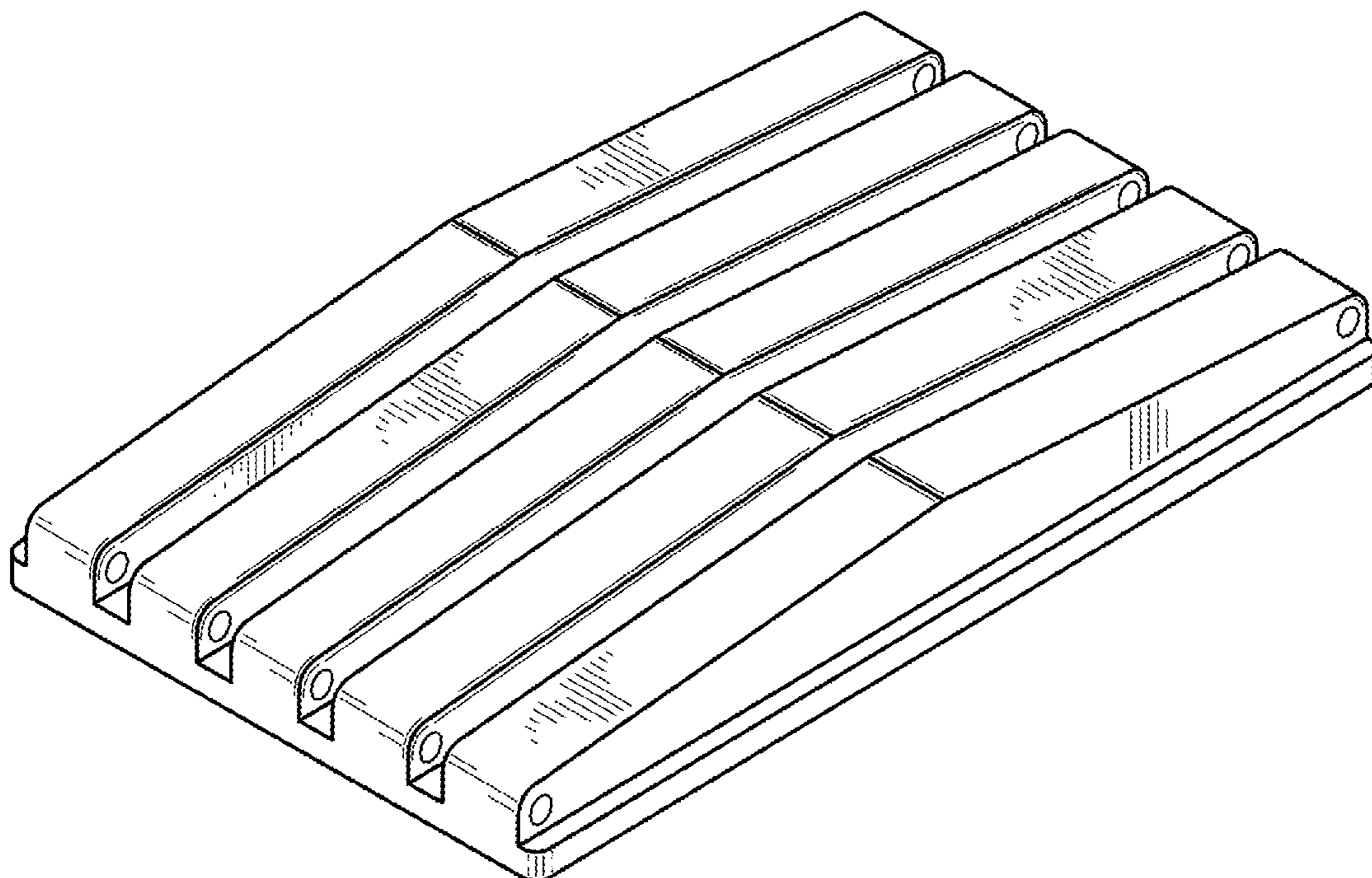
(57) **CLAIM**

The ornamental design for a reversibly-hinged lid for dumpster, as shown and described.

DESCRIPTION

FIG. 1 is top perspective view of a reversibly-hinged lid for dumpsters showing my new design;
FIG. 2 is a left side elevational view thereof;
FIG. 3 is a top plan view thereof, showing a section cut away for convenience of illustration; and,
FIG. 4 is a side view, the other side being the same thereof.

1 Claim, 2 Drawing Sheets



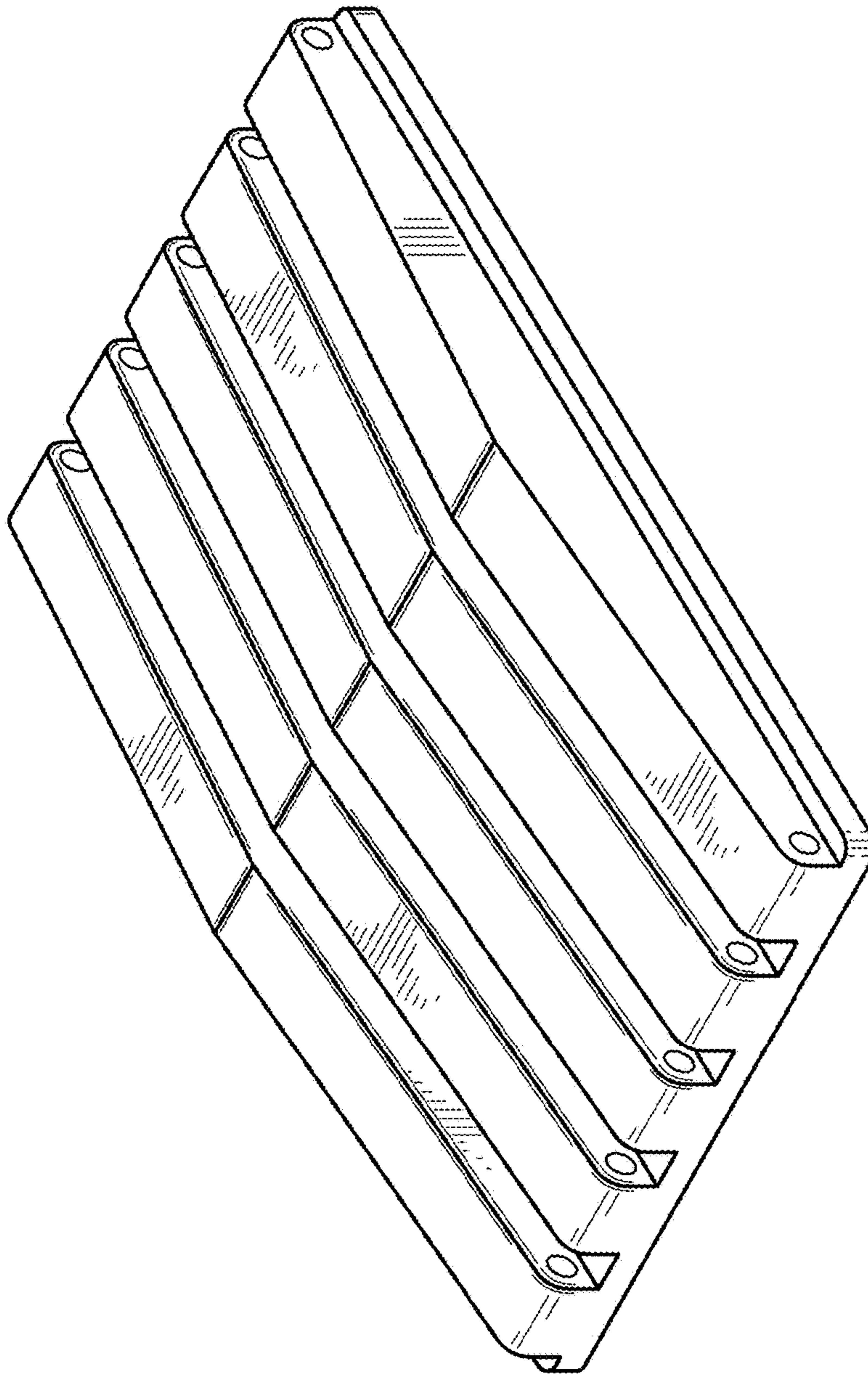


FIG. 1

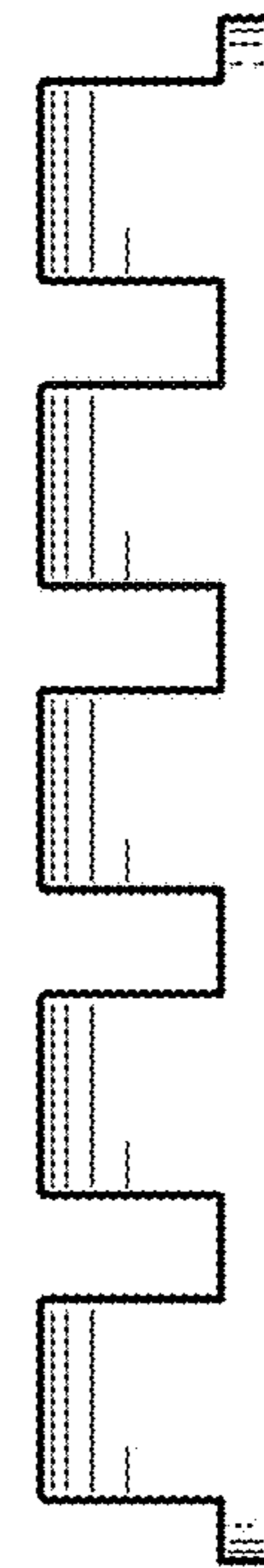


FIG. 2

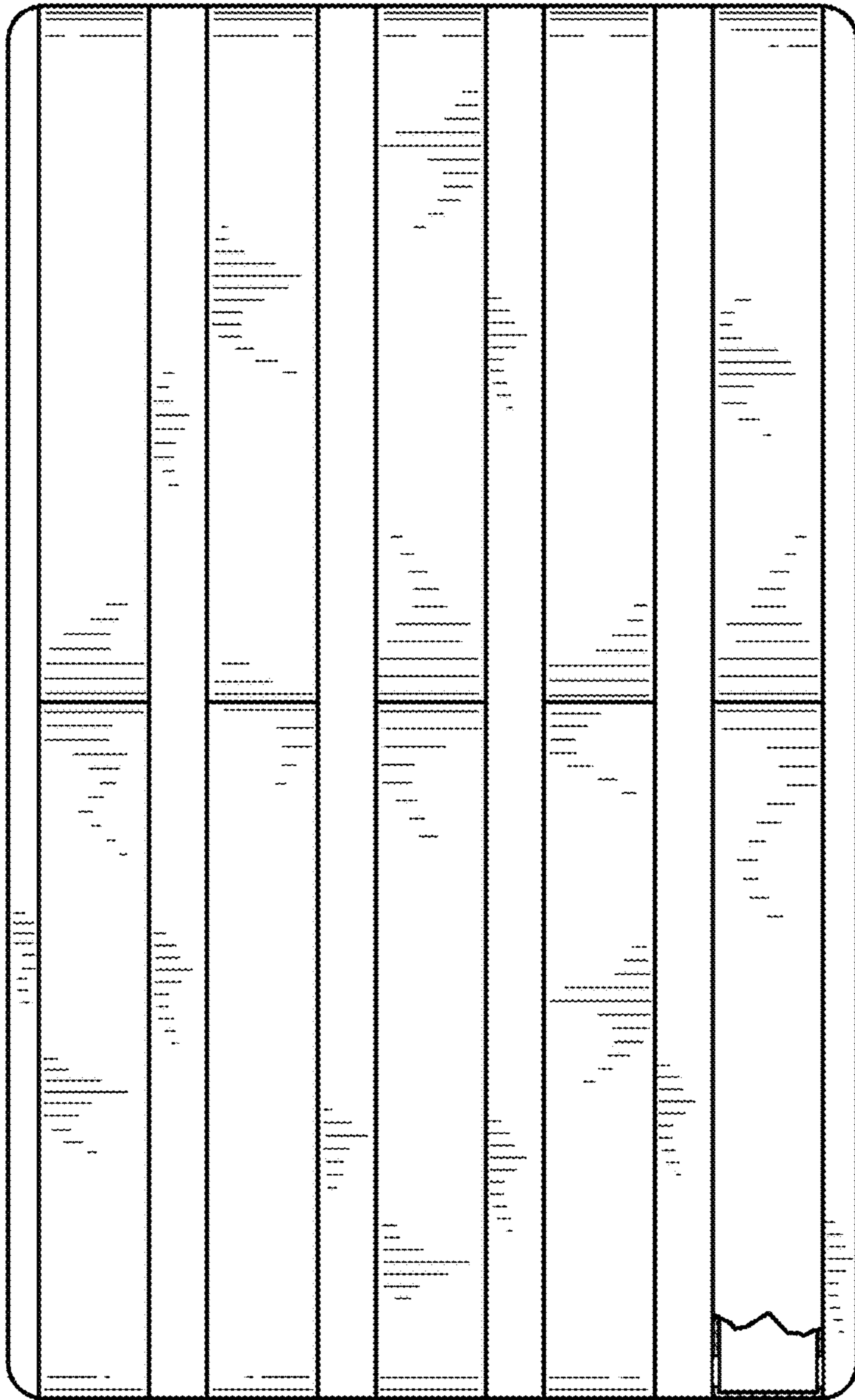


FIG. 3

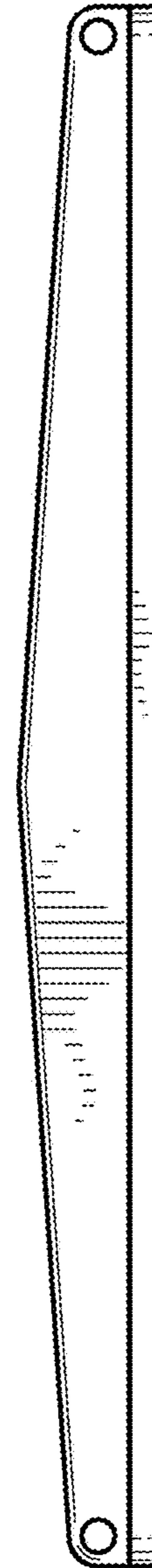


FIG. 4