



US00D823567S

(12) **United States Design Patent** (10) **Patent No.:** **US D823,567 S**  
**Bond** (45) **Date of Patent:** **\*\* Jul. 17, 2018**

(54) **SURFACE CLEANING HEAD COMPONENT**

(71) Applicant: **SHARKNINJA OPERATING LLC**,  
Newton, MA (US)

(72) Inventor: **Brian Bond**, Woburn, MA (US)

(73) Assignee: **SharkNinja Operating LLC**,  
Needham, MA (US)

(\*\*) Term: **15 Years**

(21) Appl. No.: **29/610,724**

(22) Filed: **Jul. 14, 2017**

**Related U.S. Application Data**

(62) Division of application No. 29/566,741, filed on Jun. 2, 2016.

(51) **LOC (11) Cl.** ..... **15-05**

(52) **U.S. Cl.**  
USPC ..... **D32/33**

(58) **Field of Classification Search**  
USPC ..... D32/17-18, 22, 45, 50-51, 31-33  
CPC ..... A47L 5/24; A47L 5/28; A47L 5/34; A47L  
7/0038; A47L 9/325; A47L 9/02; A47L  
11/34; A47L 11/4086; A47L 13/26; A47L  
13/225; A47L 13/22; B08B 9/0323; A23C  
3/031

See application file for complete search history.

(56) **References Cited**

**U.S. PATENT DOCUMENTS**

D521,699 S 5/2006 Greene et al.  
D662,271 S 6/2012 Conrad et al.  
D662,272 S 6/2012 Conrad et al.  
D685,961 S 7/2013 Bilger et al.  
D701,360 S \* 3/2014 Thorne ..... D32/32

D703,402 S \* 4/2014 Thorne ..... D32/32  
D738,583 S \* 9/2015 Gidwell ..... D32/25  
D739,620 S 9/2015 Johnson  
D740,515 S 10/2015 Gidwell  
D762,031 S \* 7/2016 Niedzwecki ..... D32/32  
D769,557 S 10/2016 Johnson  
D770,106 S 10/2016 Johnson et al.  
D779,752 S \* 2/2017 Johnson ..... D32/32  
D788,393 S \* 5/2017 Canas ..... D32/32

**OTHER PUBLICATIONS**

U.S. Office Action received in related U.S. Appl. No. 29/566,741, 5 pgs.

\* cited by examiner

*Primary Examiner* — Ruth McInroy

(74) *Attorney, Agent, or Firm* — Grossman Tucker  
Perreault & Pflieger, PLLC

(57) **CLAIM**

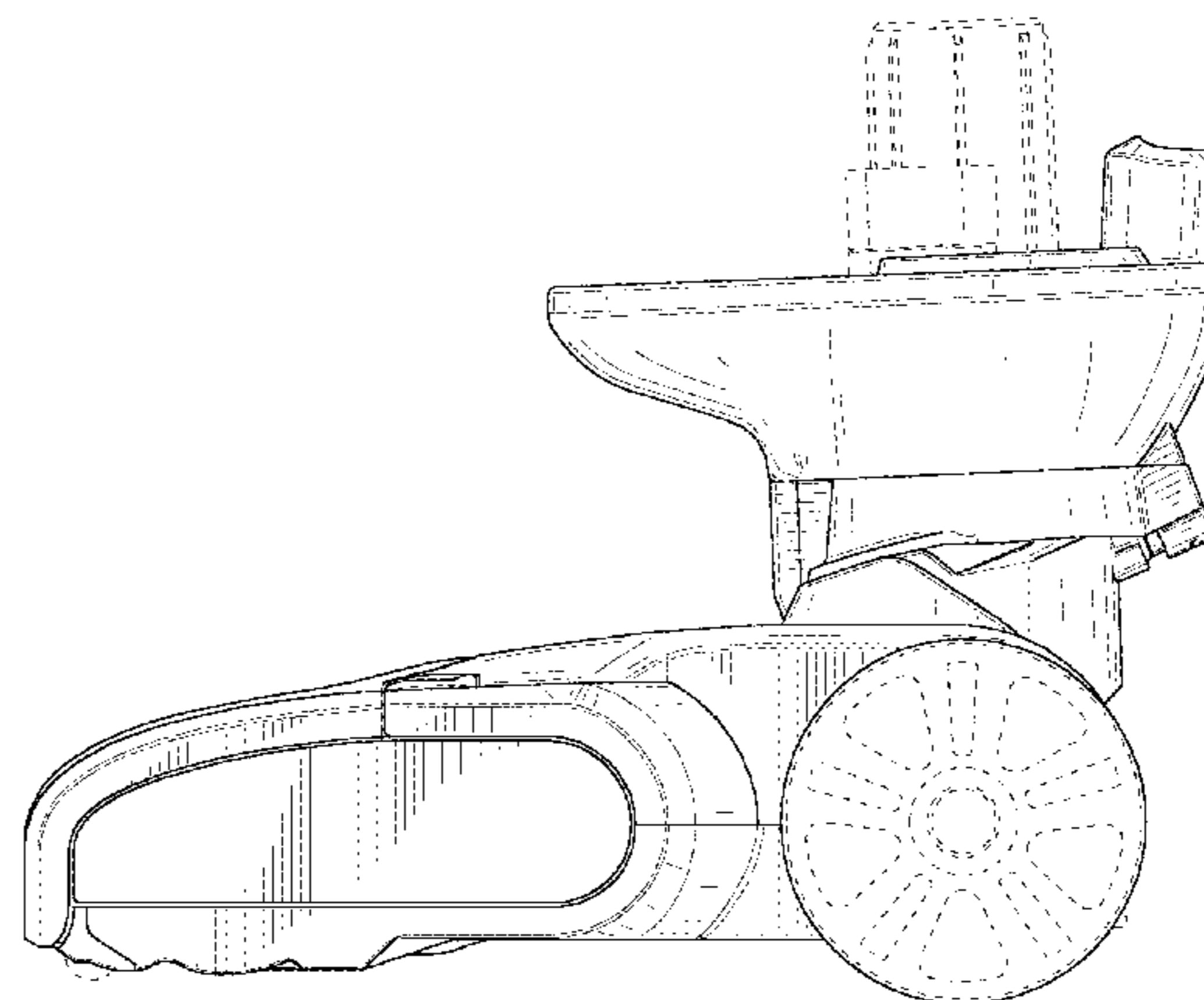
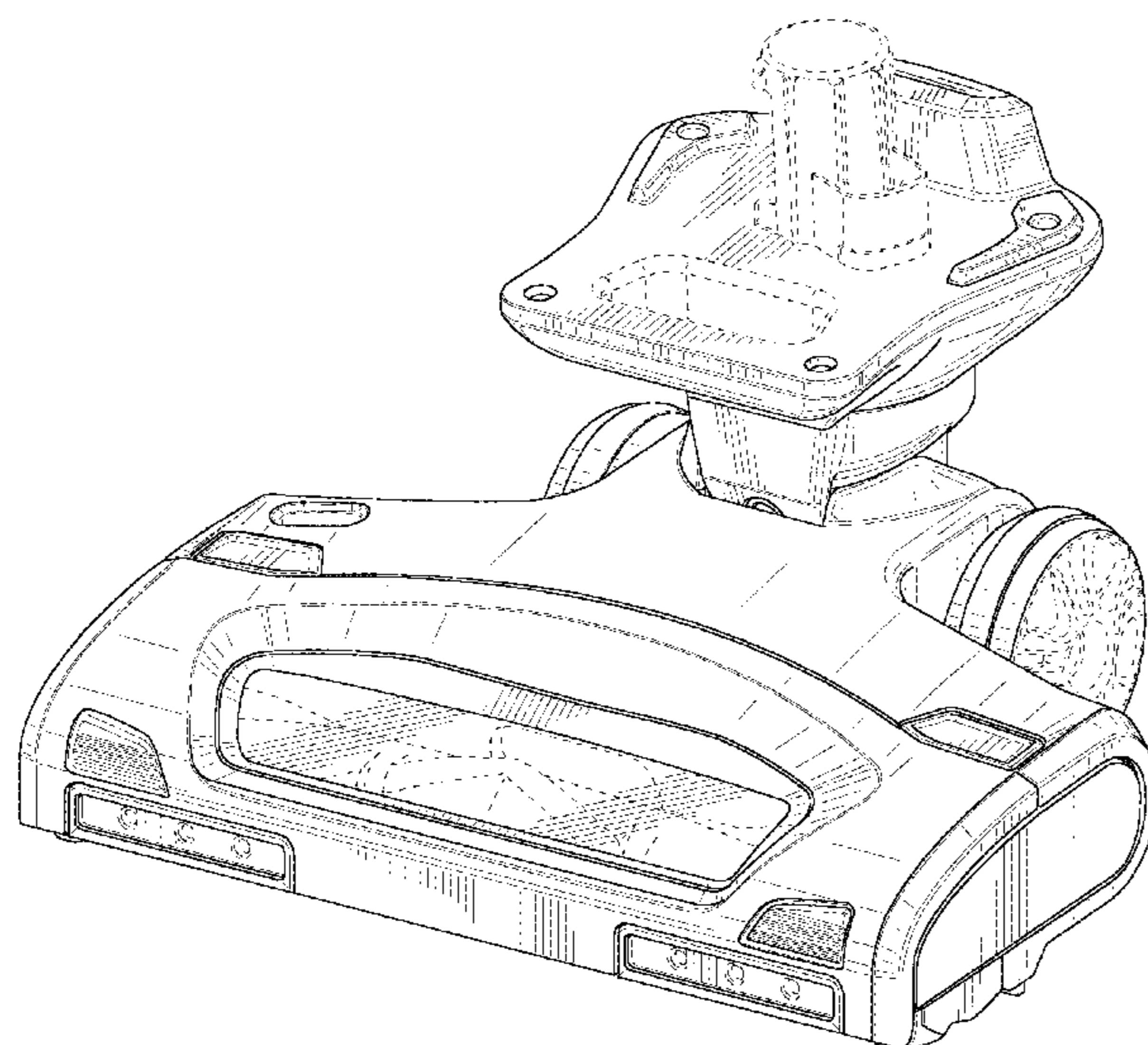
I claim the ornamental design for a surface cleaning head component, as shown and described.

**DESCRIPTION**

FIG. 1 is a top perspective view of a surface cleaning head of a vacuum cleaner showing my new design;  
FIG. 2 is a front view thereof;  
FIG. 3 is a rear view thereof;  
FIG. 4 is a left side view thereof;  
FIG. 5 is a right side view thereof;  
FIG. 6 is a top view thereof; and,  
FIG. 7 is a bottom view thereof.

The broken lines are included for the purpose of illustrating the unclaimed portions of the article and form no part of the claim.

**1 Claim, 7 Drawing Sheets**



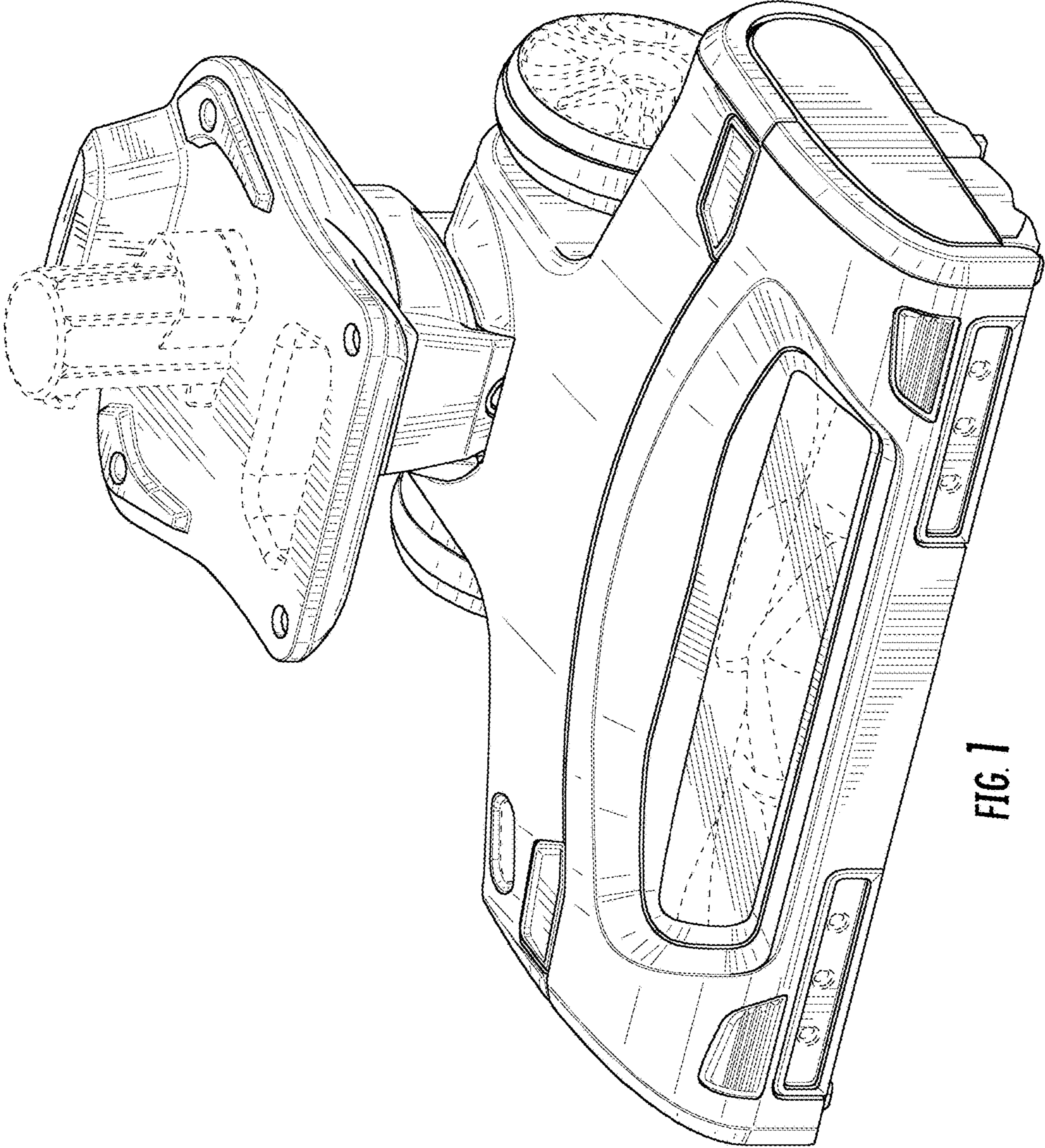


FIG. 1



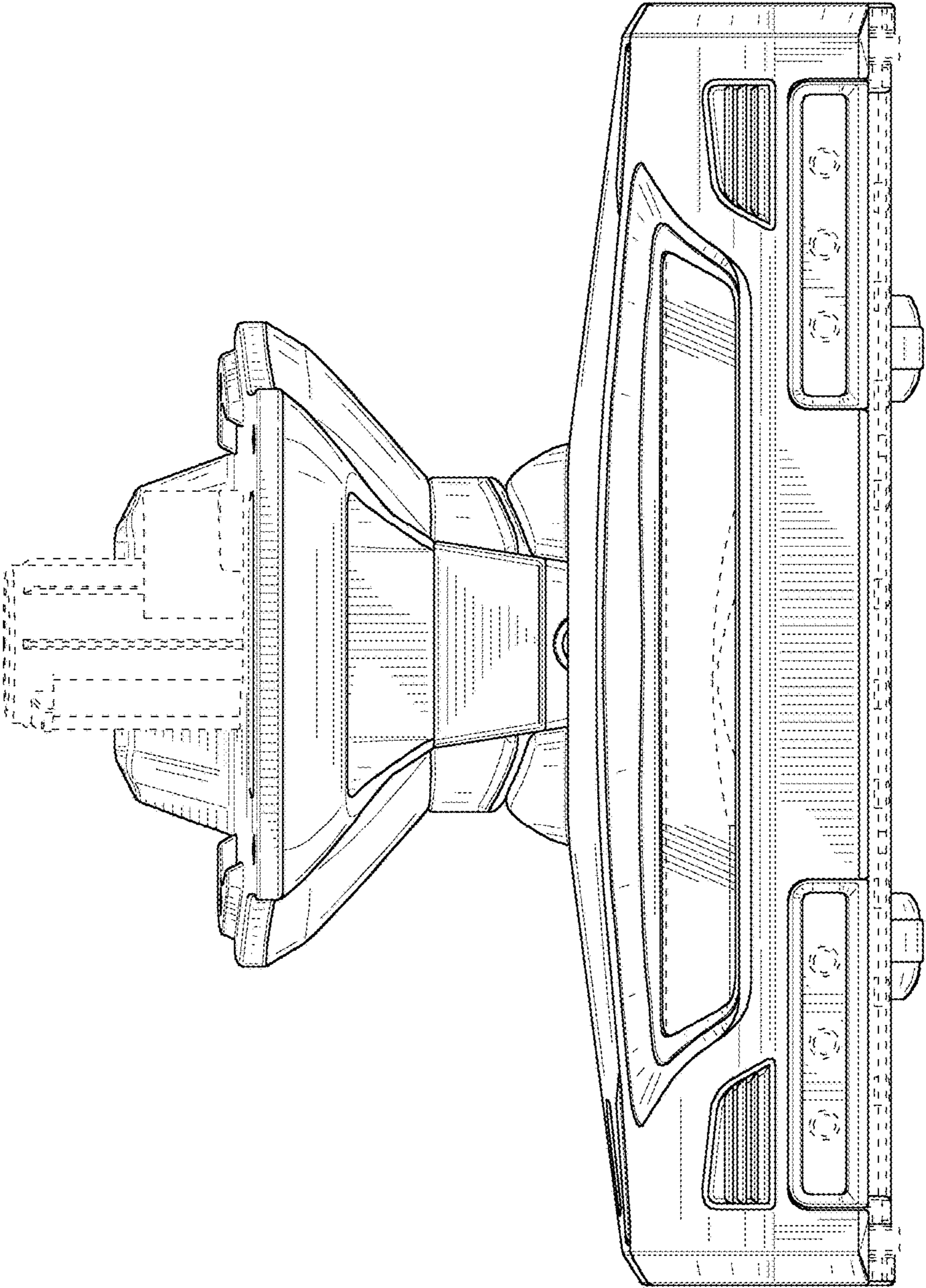


FIG. 2

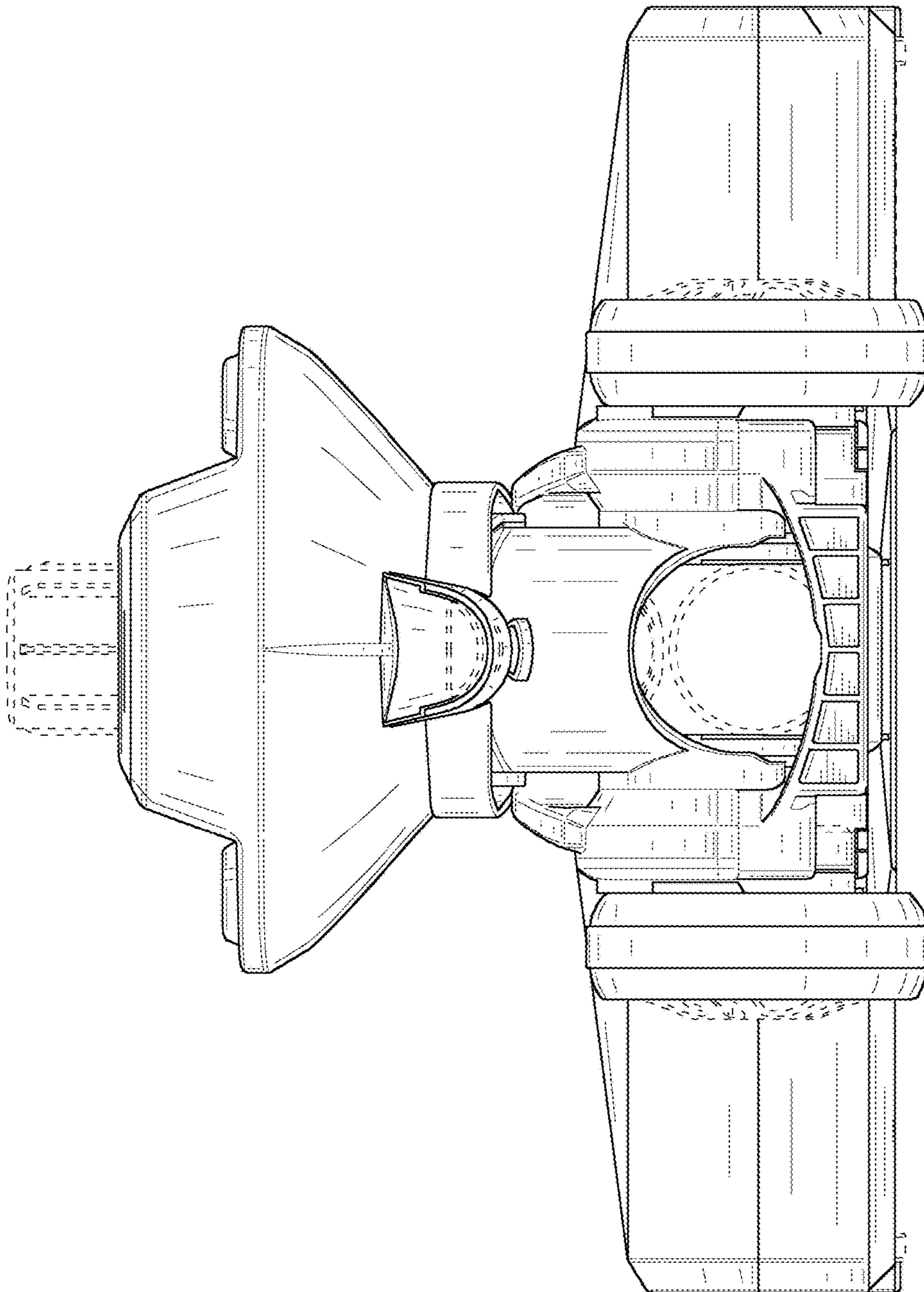


FIG. 3

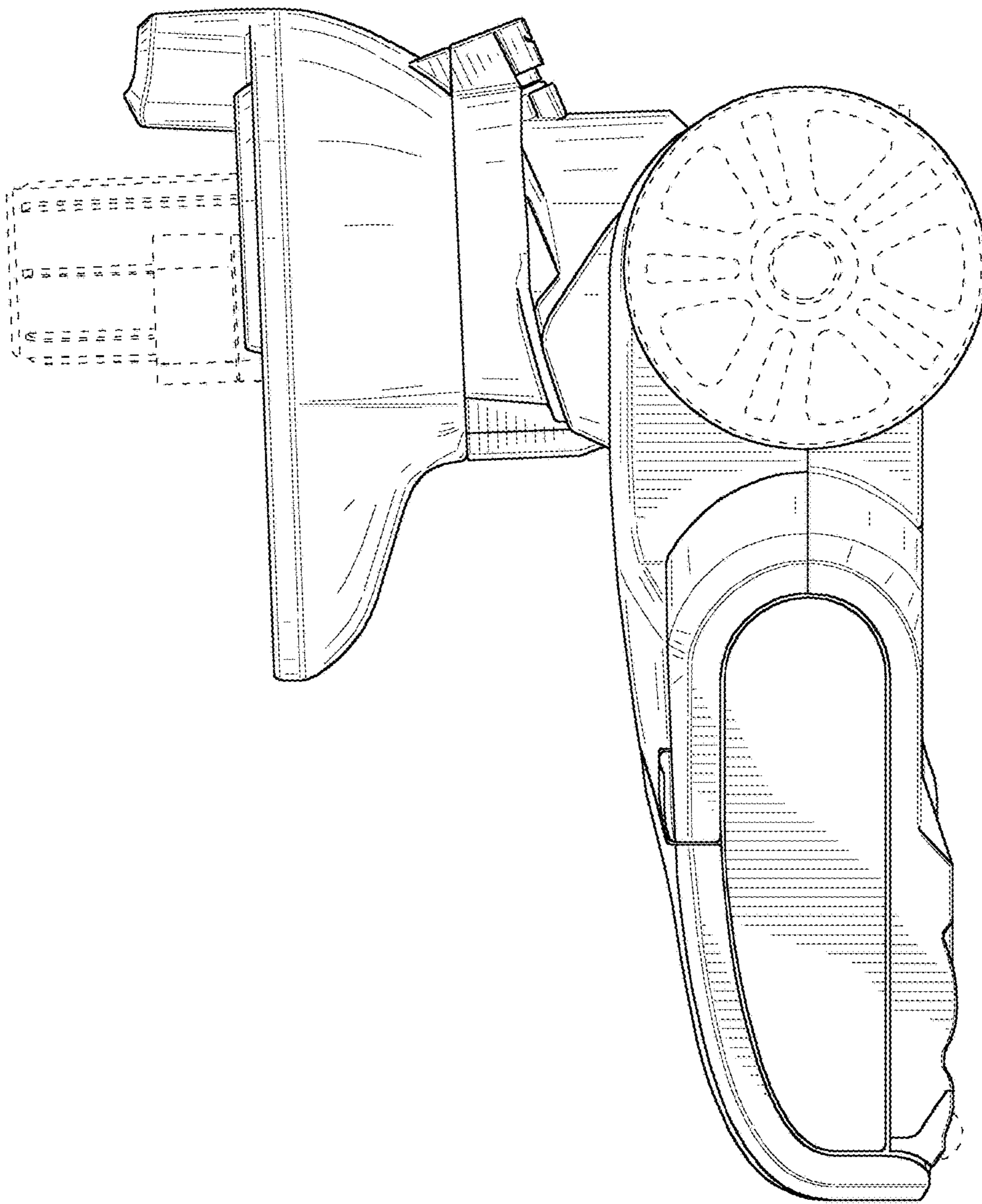


FIG. 4

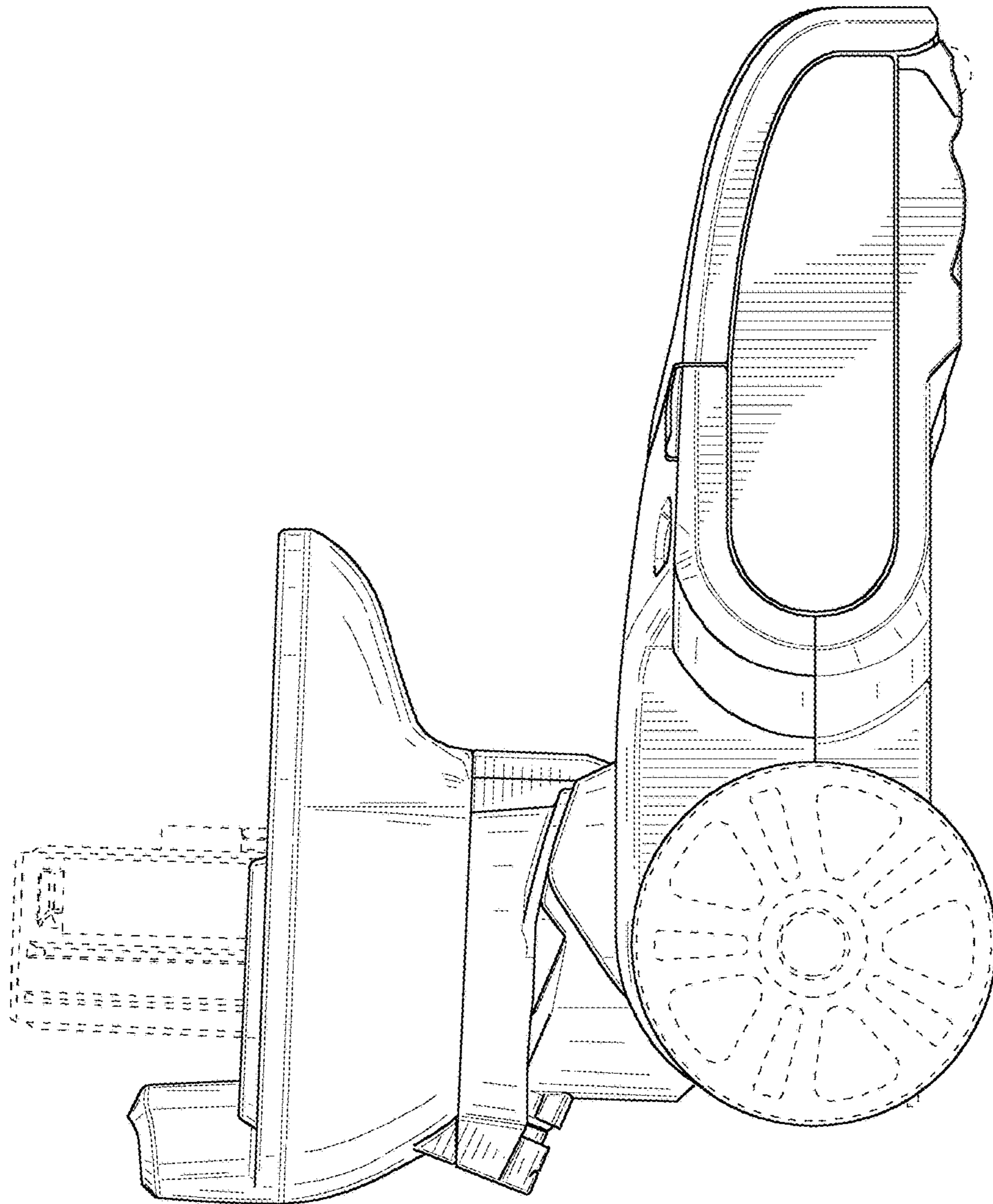


FIG. 5



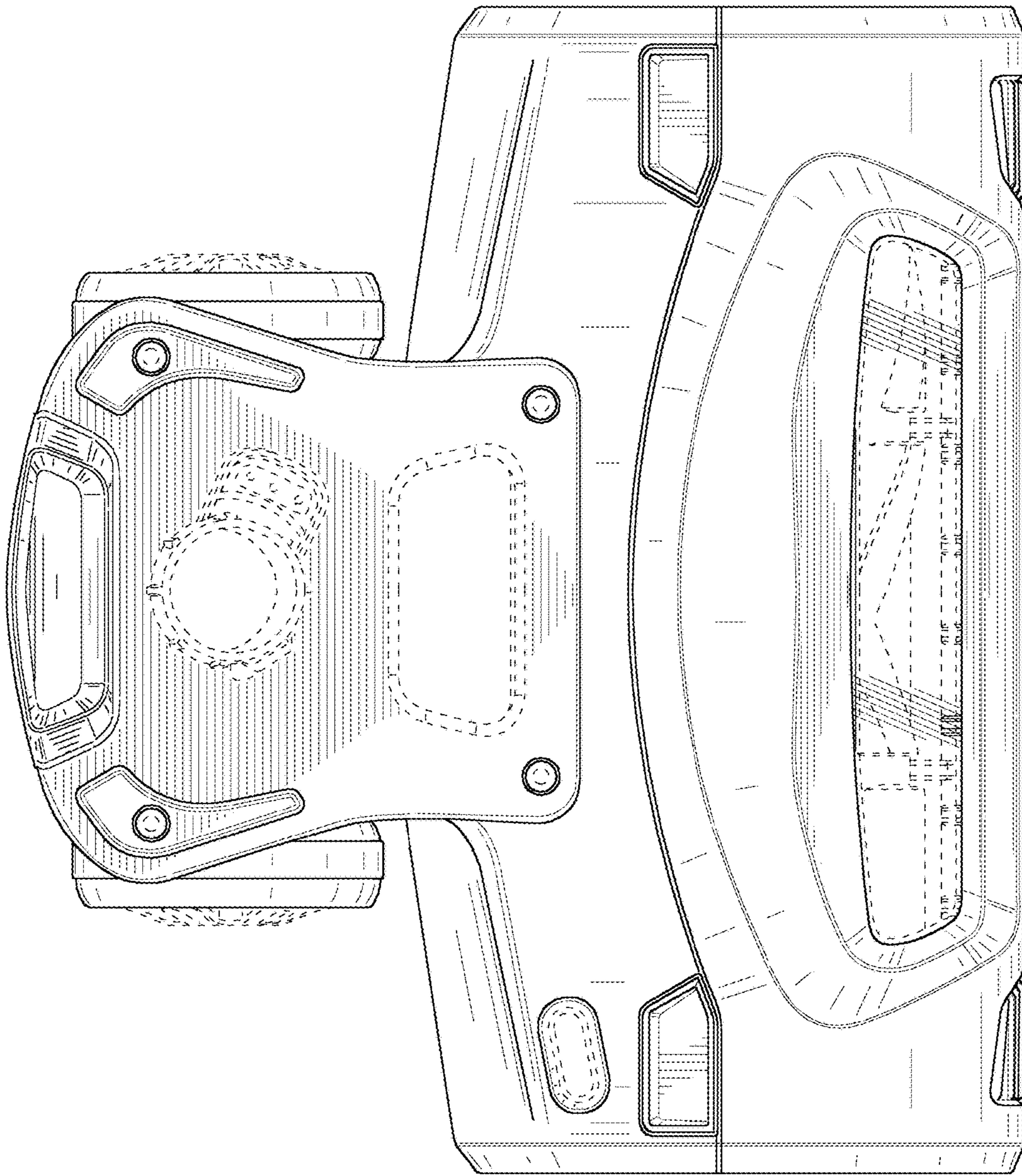


FIG. 6

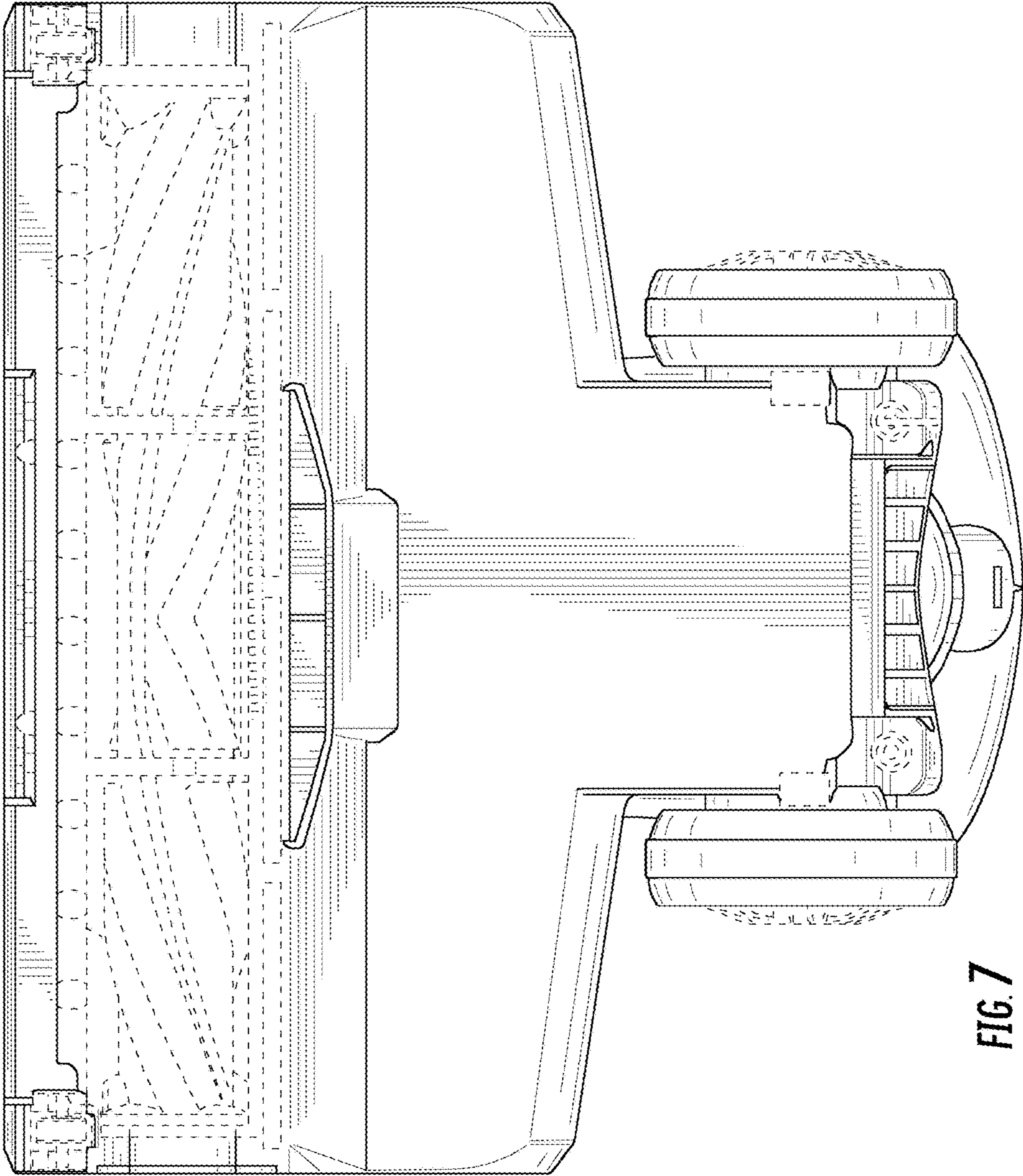


FIG. 7