



US00D823566S

(12) **United States Design Patent**
Kim et al.

(10) **Patent No.:** **US D823,566 S**
(45) **Date of Patent:** **** Jul. 17, 2018**

(54) **BRUSH FOR VACUUM CLEANER**

(71) Applicant: **Samsung Electronics Co., Ltd.**,
Suwon-si (KR)

(72) Inventors: **Yeon-Su Kim**, Seoul (KR);
Seung-Wook Suh, Goyang-si (KR);
Jae-Ho Jang, Seoul (KR); **Jae-Won Choi**, Seoul (KR)

(73) Assignee: **Samsung Electronics Co., Ltd.**,
Suwon-si (KR)

(**) Term: **15 Years**

(21) Appl. No.: **29/599,596**

(22) Filed: **Apr. 5, 2017**

(30) **Foreign Application Priority Data**

Dec. 23, 2016 (KR) 30-2016-0062901

(51) **LOC (11) Cl.** **15-05**

(52) **U.S. Cl.**
USPC **D32/33**

(58) **Field of Classification Search**
USPC D32/31-34, 22
CPC A47L 5/24; A47L 5/38; A47L 5/28; A47L
11/4044; A47L 11/34; A47L 7/0038;
A47L 9/325; A47L 9/02; A47L 1/08;
D01H 11/006; B60S 1/64; A46B 11/001;
A46B 11/002; B08B 3/026; B08B 3/028
See application file for complete search history.

(56) **References Cited**

U.S. PATENT DOCUMENTS

D686,379 S * 7/2013 Kim D32/32
D718,913 S * 12/2014 Ashbee D32/32
D719,309 S * 12/2014 Ashbee D32/33

D752,302 S * 3/2016 Courtney D32/32
D770,711 S * 11/2016 Okada D32/32
D775,443 S * 12/2016 Kwon D32/33
D776,380 S * 1/2017 Yoneda D32/32
D779,752 S * 2/2017 Johnson D32/32
D781,015 S * 3/2017 Kim D32/33
D782,761 S * 3/2017 Yoon D32/32
D796,136 S * 8/2017 Reynolds D32/33

FOREIGN PATENT DOCUMENTS

EM 002574939-0001 1/2015
KR 30-2013-0042293 9/2014
KR 30-2015-0052140 1/2016
KR 30-2015-0049494 4/2016
KR 30-2015-0067216 6/2016

* cited by examiner

Primary Examiner — Ruth McInroy

(74) *Attorney, Agent, or Firm* — NSIP Law

(57) **CLAIM**

We claim the ornamental design for a brush for vacuum cleaner, as shown and described.

DESCRIPTION

FIG. 1 is a front perspective view of a brush for vacuum cleaner showing our new design;
FIG. 2 is a front elevational view thereof;
FIG. 3 is a rear elevational view thereof;
FIG. 4 is a left-side elevational view thereof;
FIG. 5 is a right-side elevational view thereof;
FIG. 6 is a top plan view thereof;
FIG. 7 is a bottom plan view thereof;
FIG. 8 is a rear perspective view thereof; and,
FIG. 9 is another front perspective view thereof shown in an example environment.

The broken lines in the figures depict environmental subject matter and form no part of the claimed design.

1 Claim, 9 Drawing Sheets

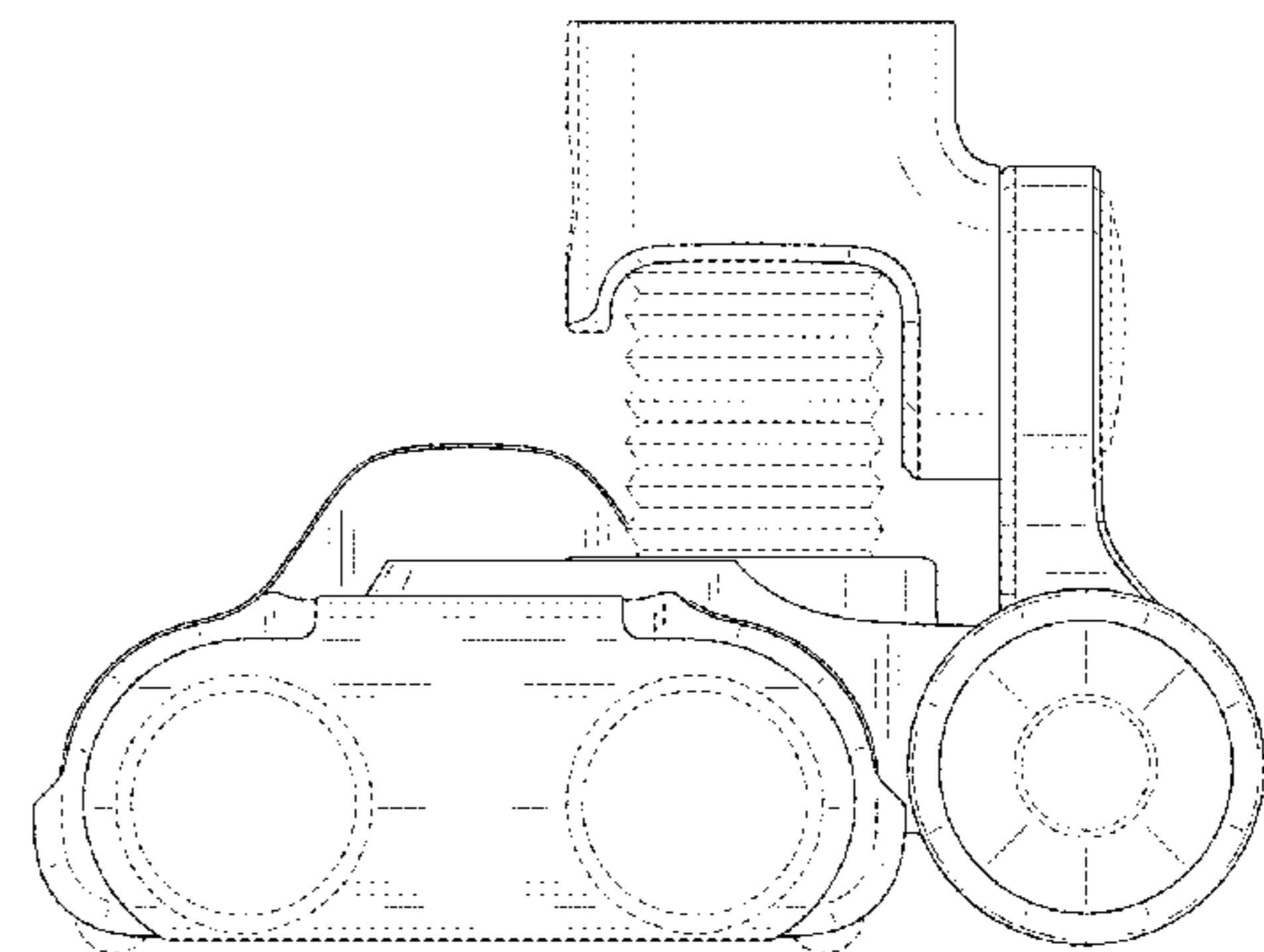
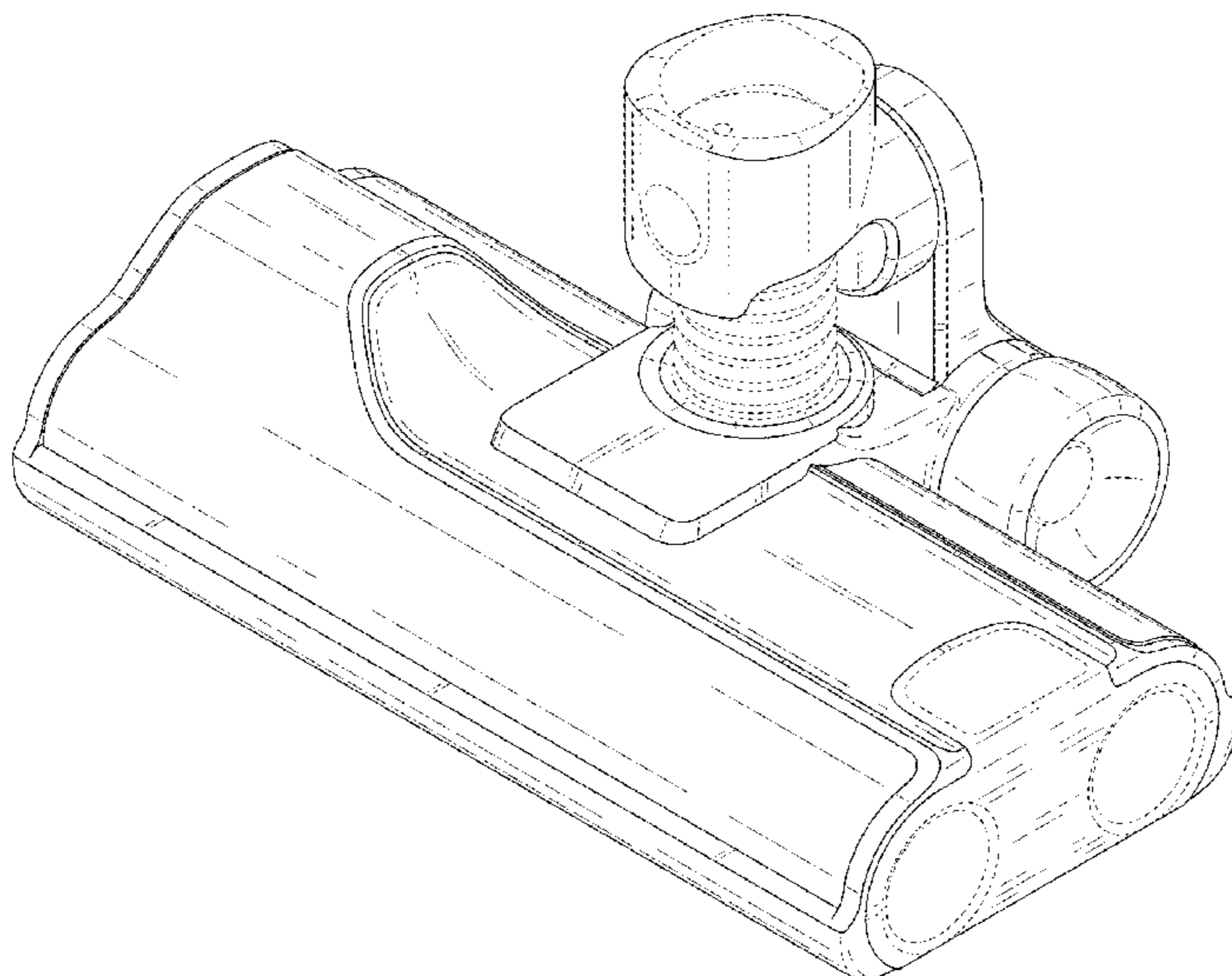


FIG. 1

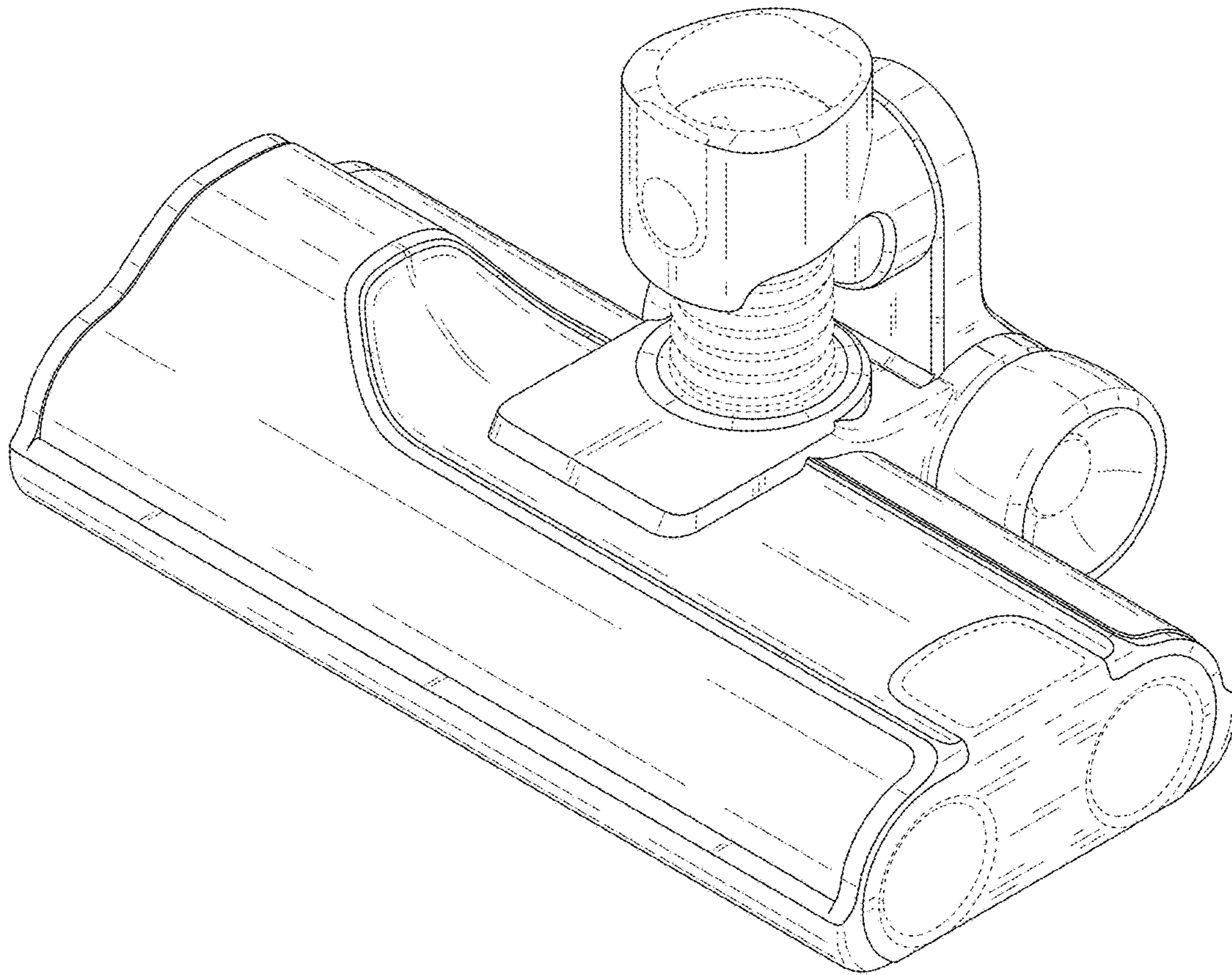


FIG. 2

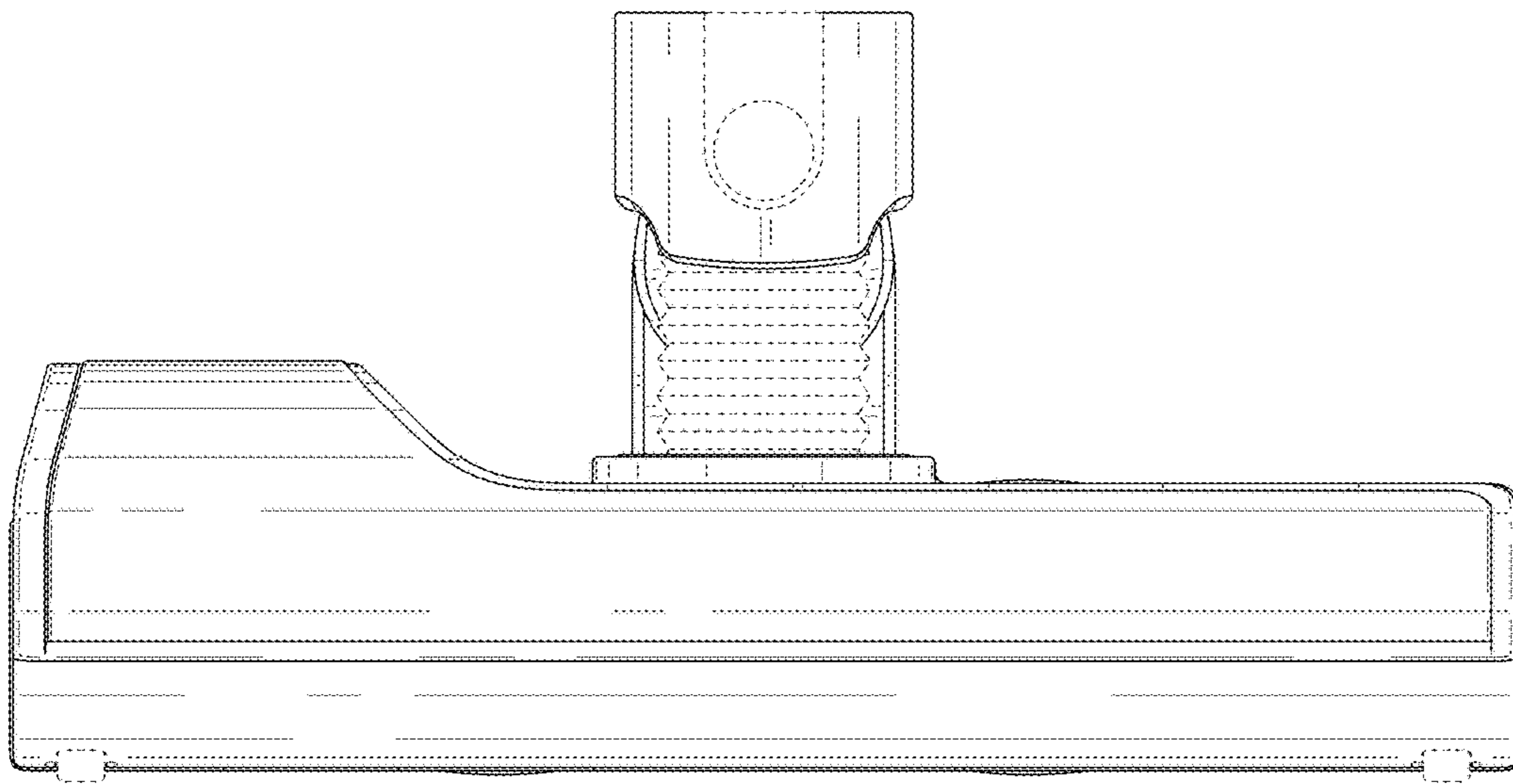


FIG. 3

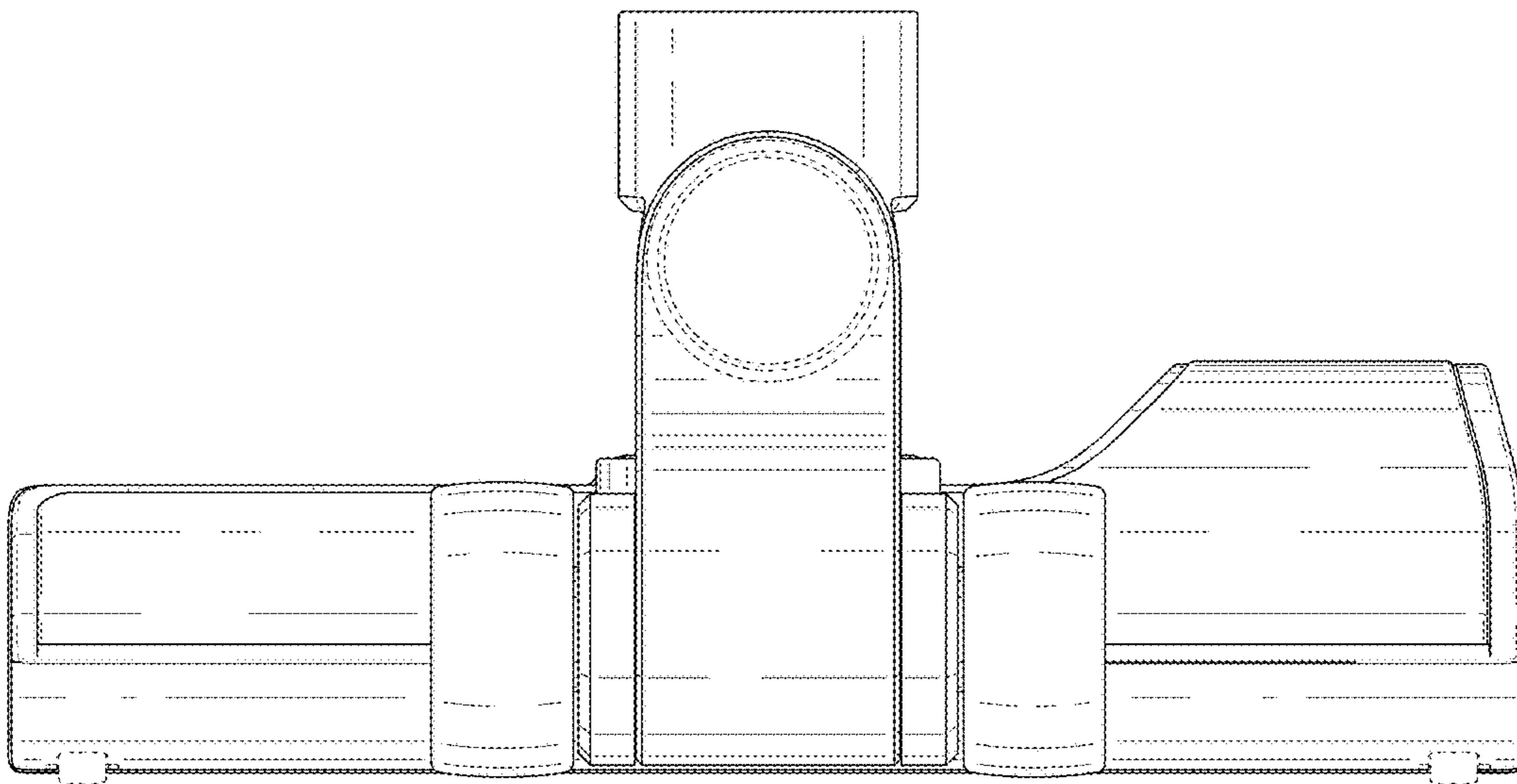


FIG. 4

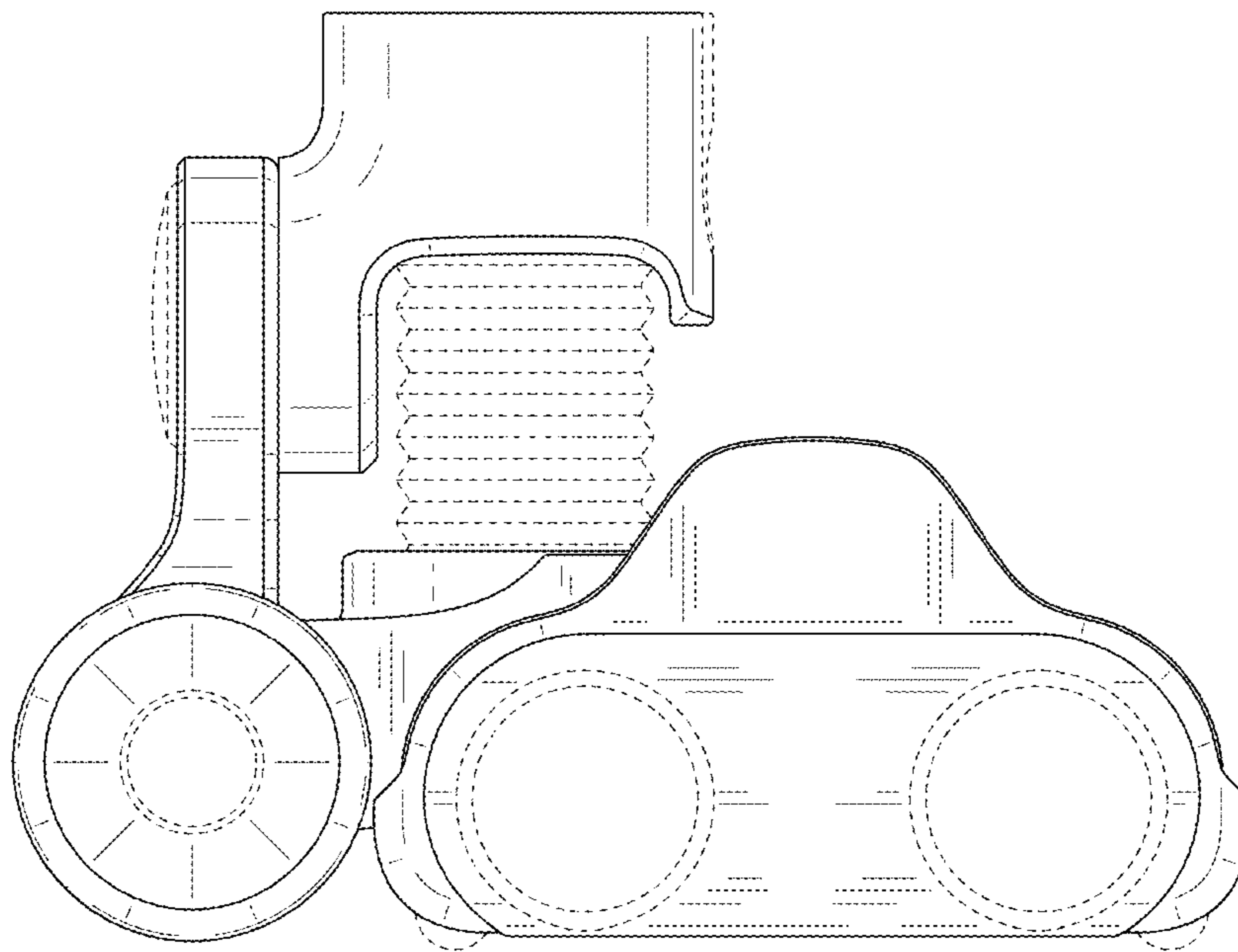


FIG. 5

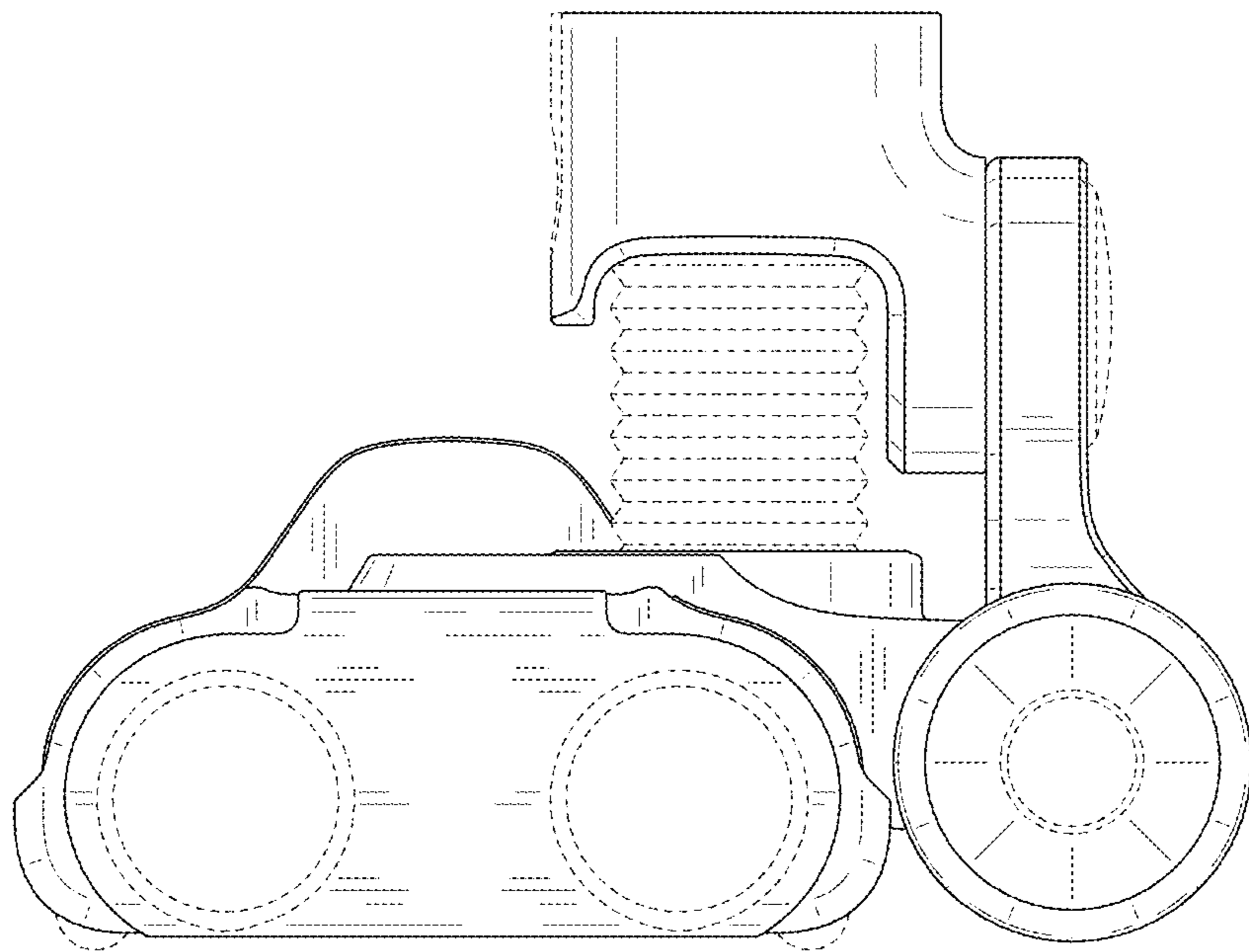


FIG. 6

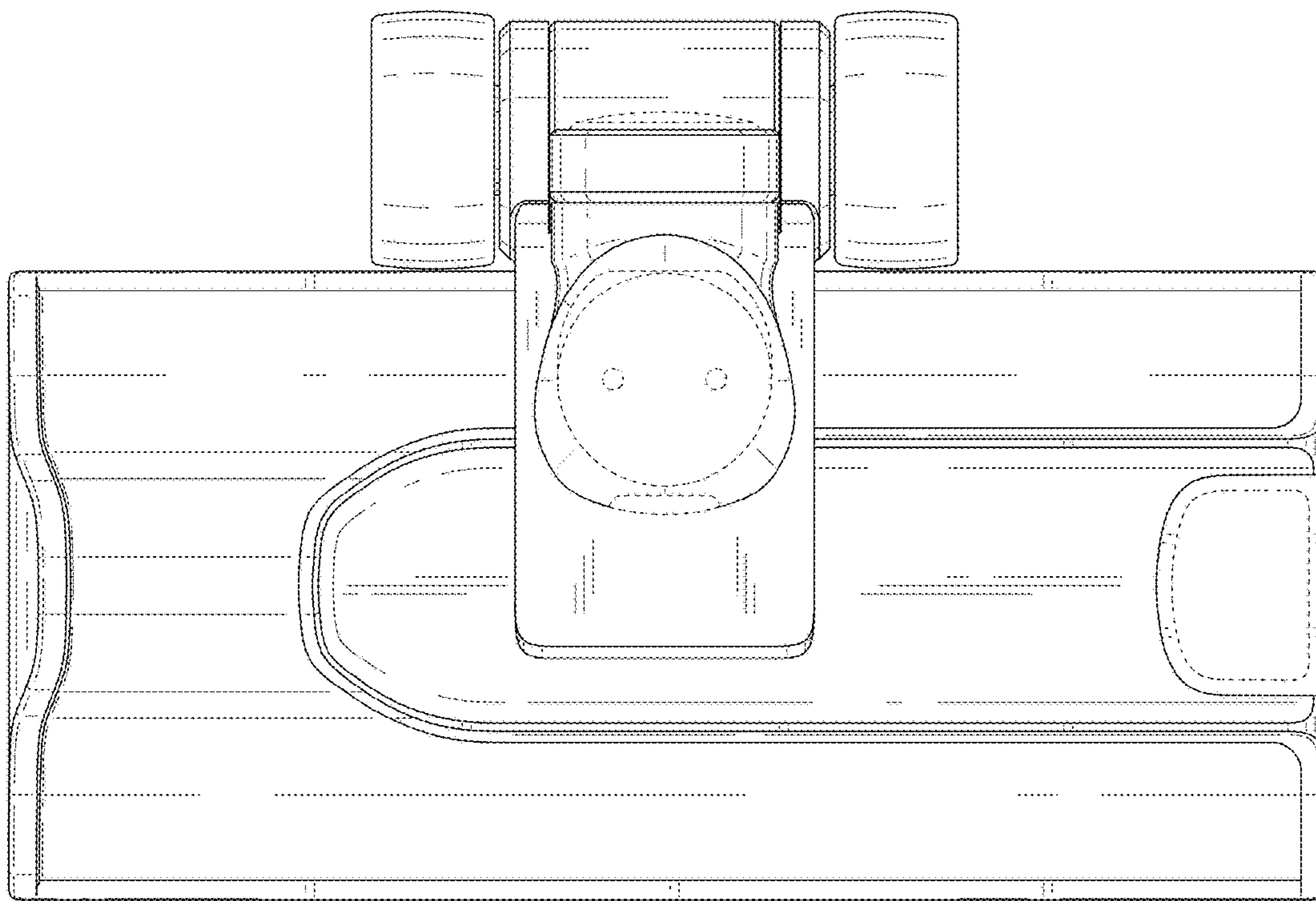


FIG. 7

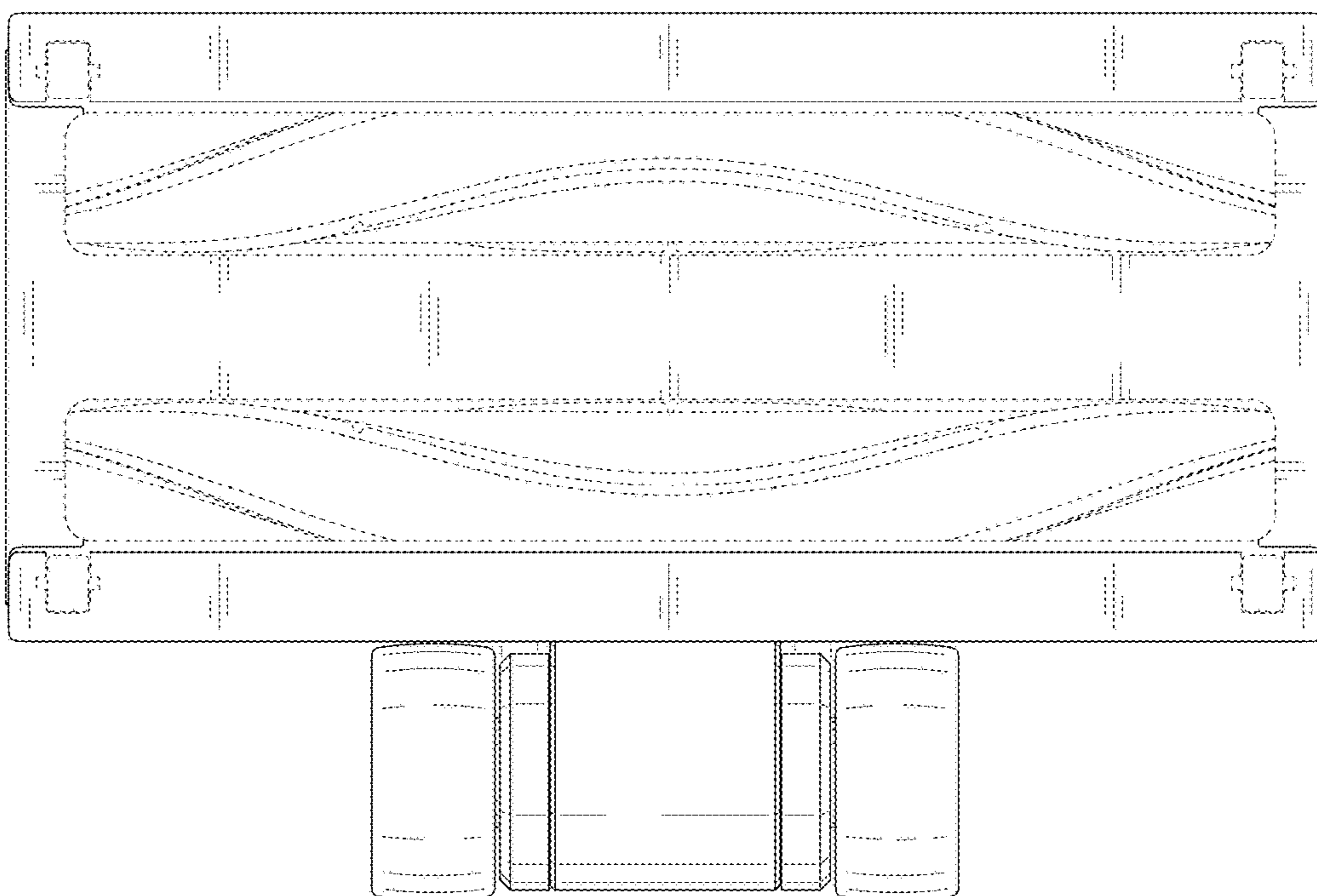


FIG. 8

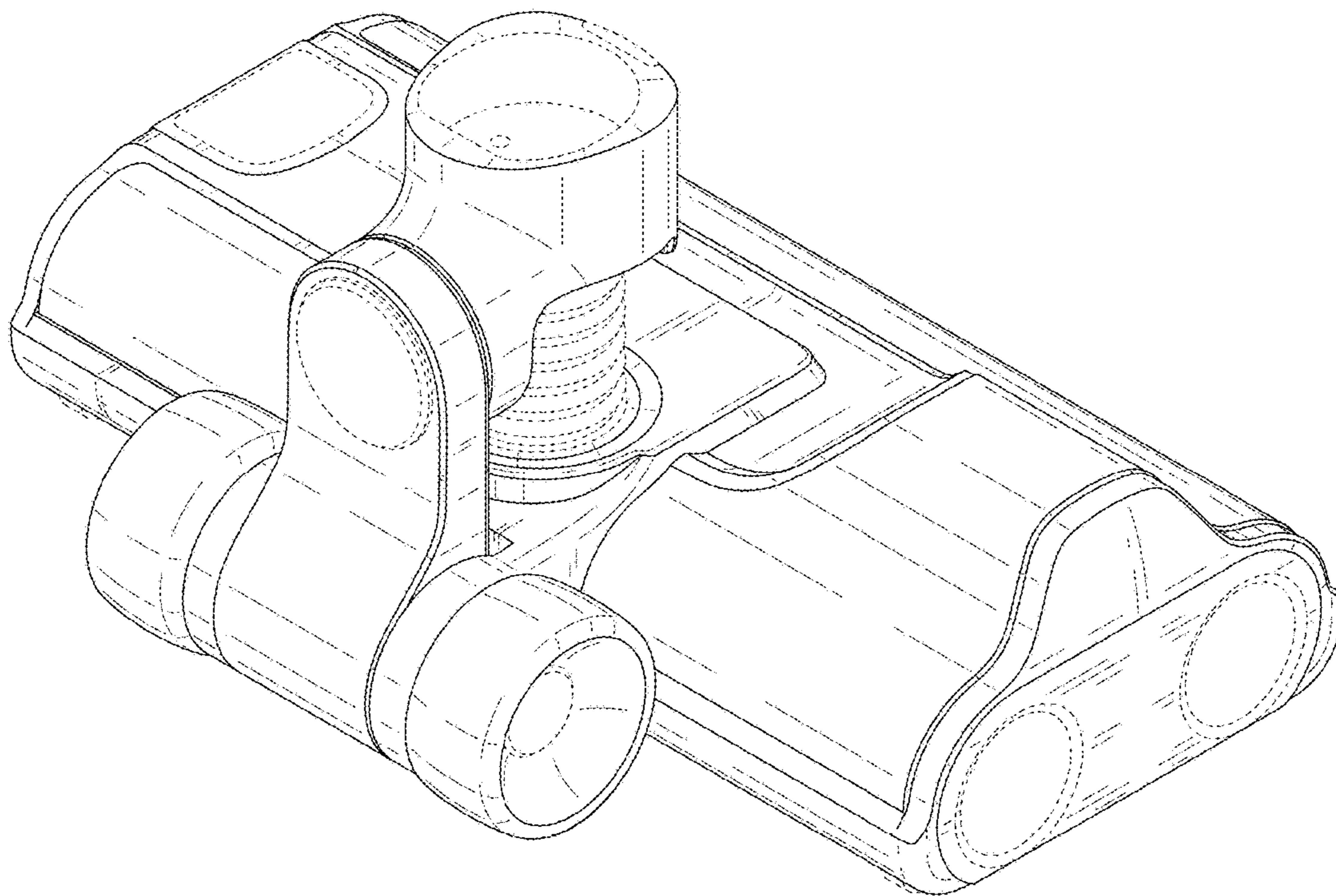


FIG. 9

