



US00D823565S

(12) **United States Design Patent**
Wrobleski et al.

(10) **Patent No.:** **US D823,565 S**

(45) **Date of Patent:** **** Jul. 17, 2018**

(54) **VACUUM CLEANER**

(71) Applicant: **BISSELL Homecare, Inc.**, Grand Rapids, MI (US)

(72) Inventors: **Dennis J. Wrobleski**, Grand Rapids, MI (US); **Clifford Krapfl**, Chicago, IL (US); **Hyung Seok Lee**, San Jose, CA (US)

(73) Assignee: **BISSELL Homecare, Inc.**, Grand Rapids, MI (US)

(**) Term: **15 Years**

(21) Appl. No.: **29/572,932**

(22) Filed: **Aug. 1, 2016**

(51) **LOC (11) Cl.** **15-05**

(52) **U.S. Cl.**
USPC **D32/22**

(58) **Field of Classification Search**
USPC D32/17, 21, 22, 31, 34
CPC . A47L 9/32; A47L 9/325; A47L 9/327; A47L 9/20; A47L 5/28; A47L 5/30; A47L 5/34
See application file for complete search history.

(56) **References Cited**

U.S. PATENT DOCUMENTS

D521,699 S * 5/2006 Greene D32/22
D532,944 S * 11/2006 Choi D32/22

D740,503 S * 10/2015 Tyler D32/22
D768,944 S * 10/2016 Zhang D32/22
D783,912 S * 4/2017 Shin D32/22
D789,626 S * 6/2017 Bloemendaal D32/22

* cited by examiner

Primary Examiner — Ruth McInroy

(74) *Attorney, Agent, or Firm* — McGarry Bair PC

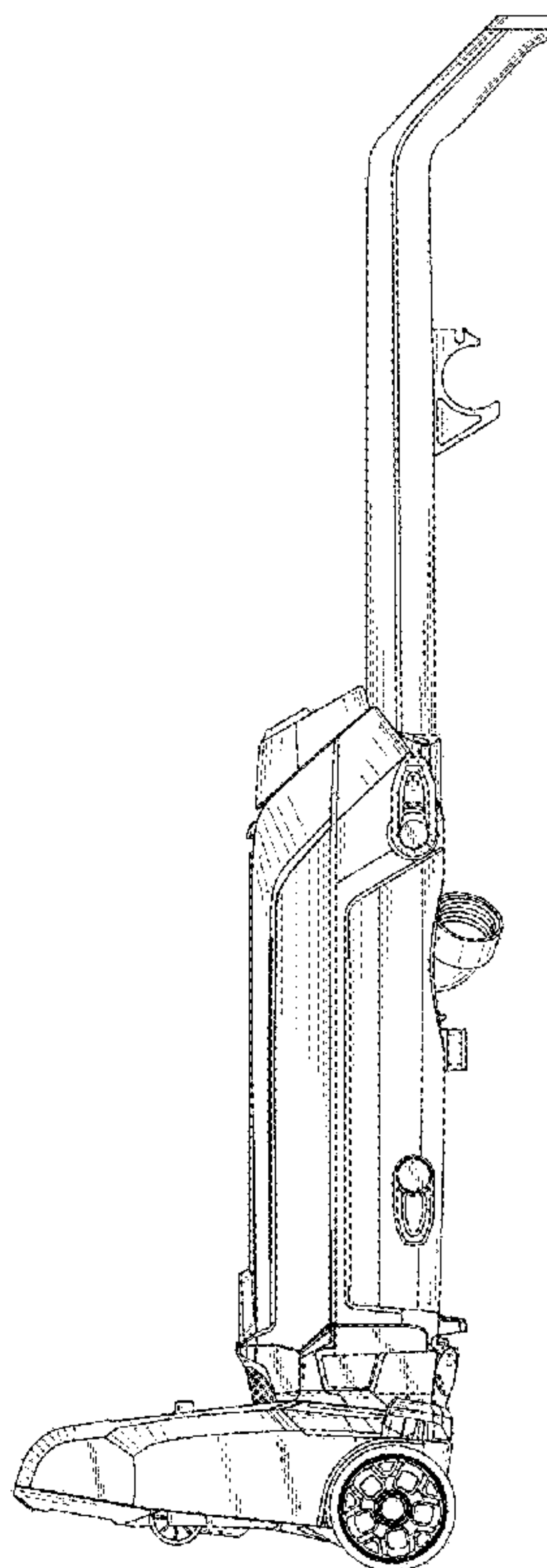
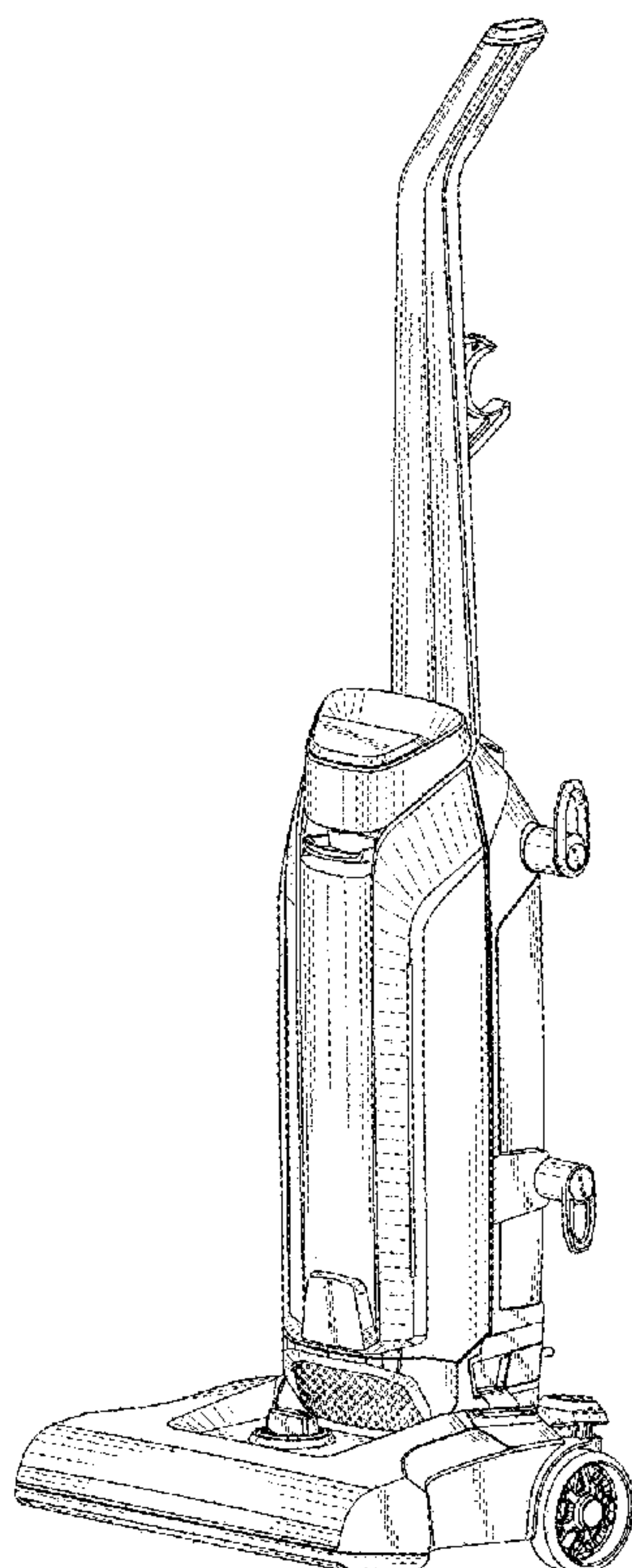
(57) **CLAIM**

The ornamental design for a vacuum cleaner, as shown and described.

DESCRIPTION

FIG. 1 is a front and right-side perspective view of a vacuum cleaner showing our new design;
FIG. 2 is a front view thereof;
FIG. 3 is a rear view thereof;
FIG. 4 is a left side view thereof;
FIG. 5 is a right side view thereof; and,
FIG. 6 is a top view thereof.
The details shown in broken lines form no part of the claimed design.

1 Claim, 6 Drawing Sheets



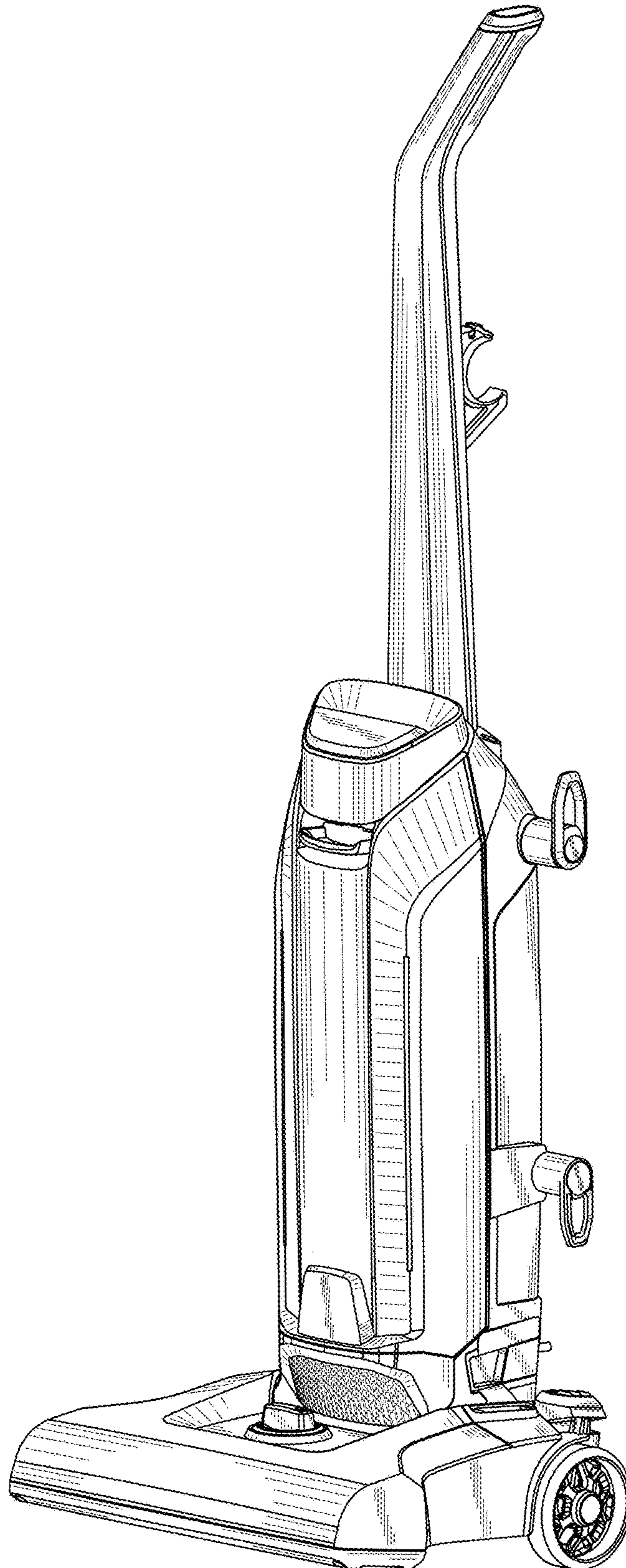


FIG. 1

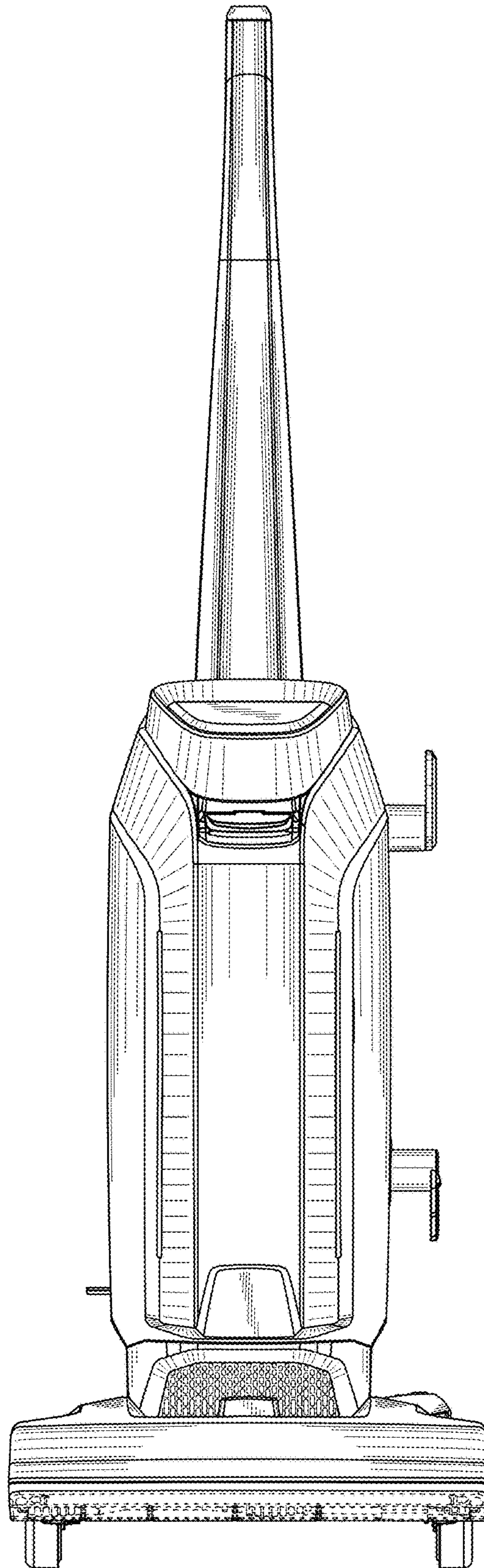


FIG. 2

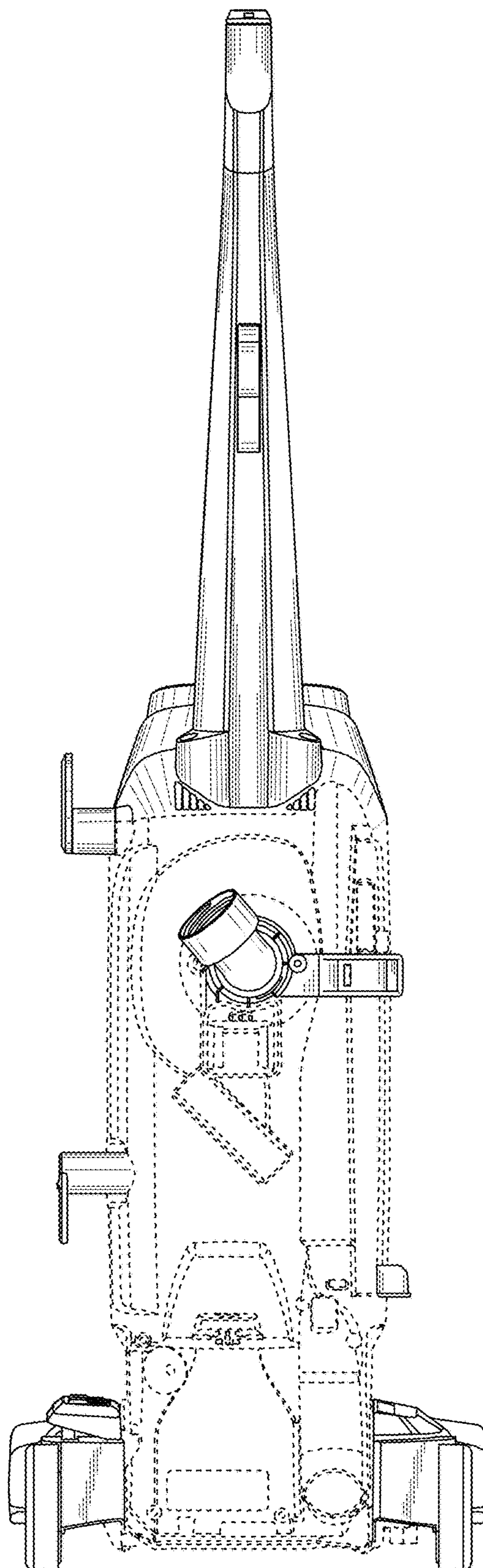


FIG. 3

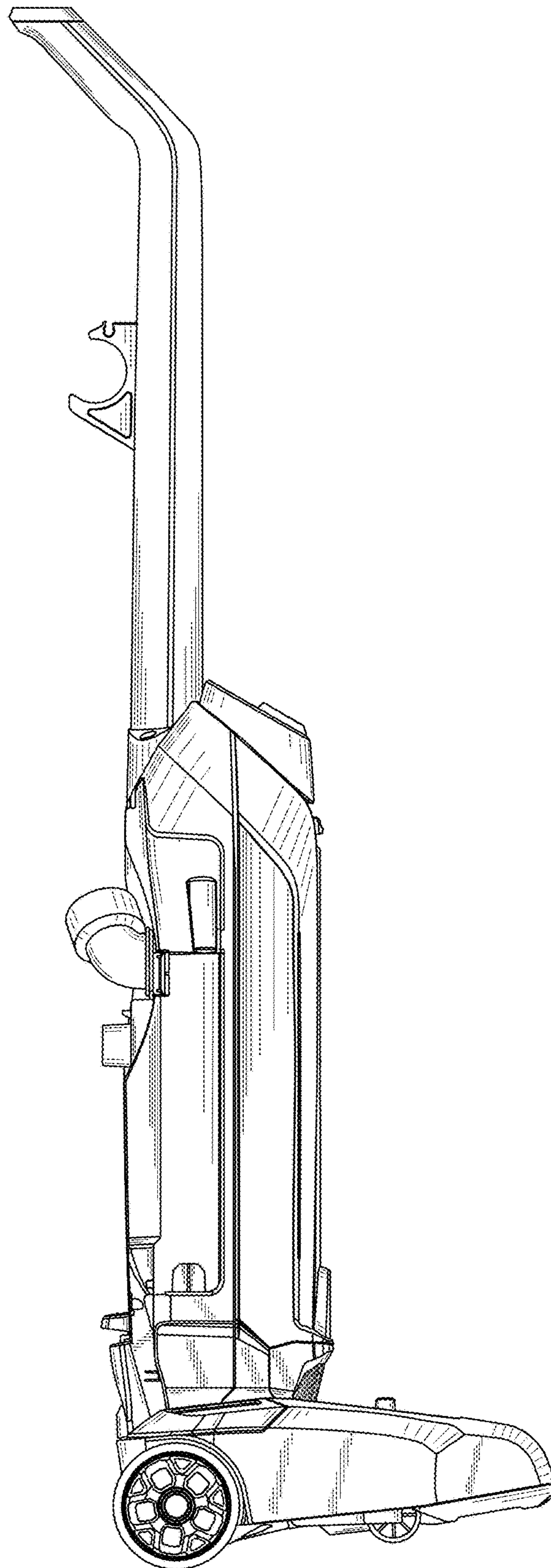


FIG. 4

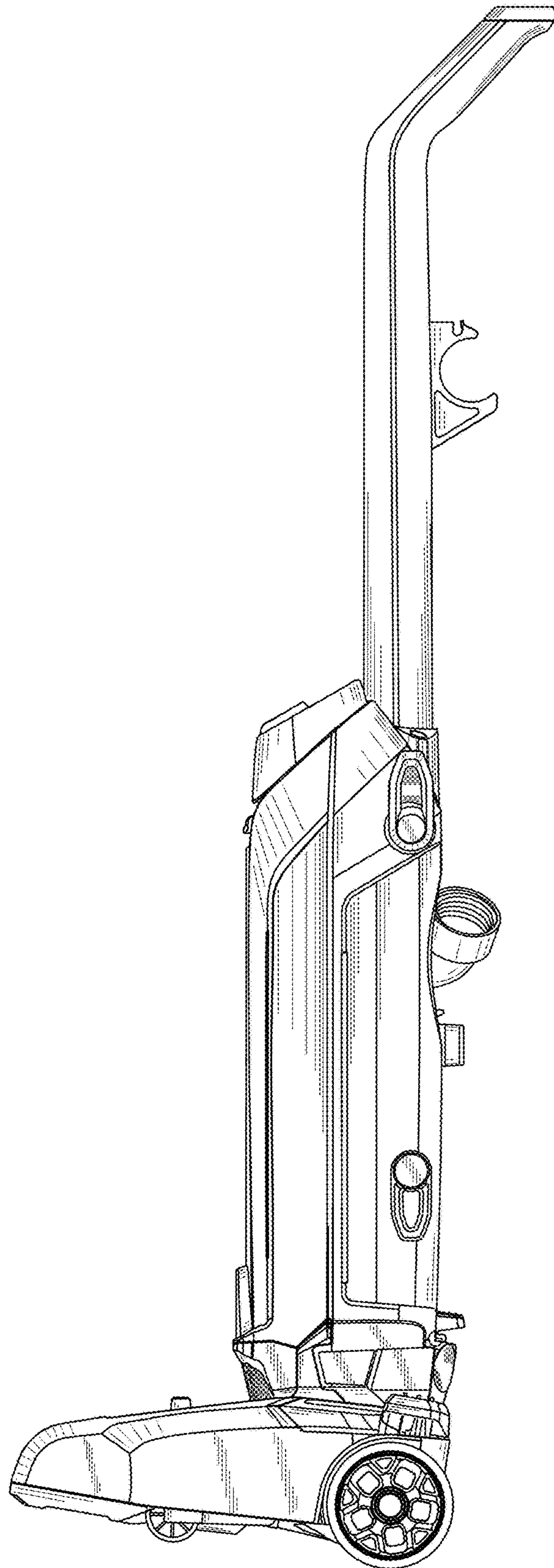


FIG. 5

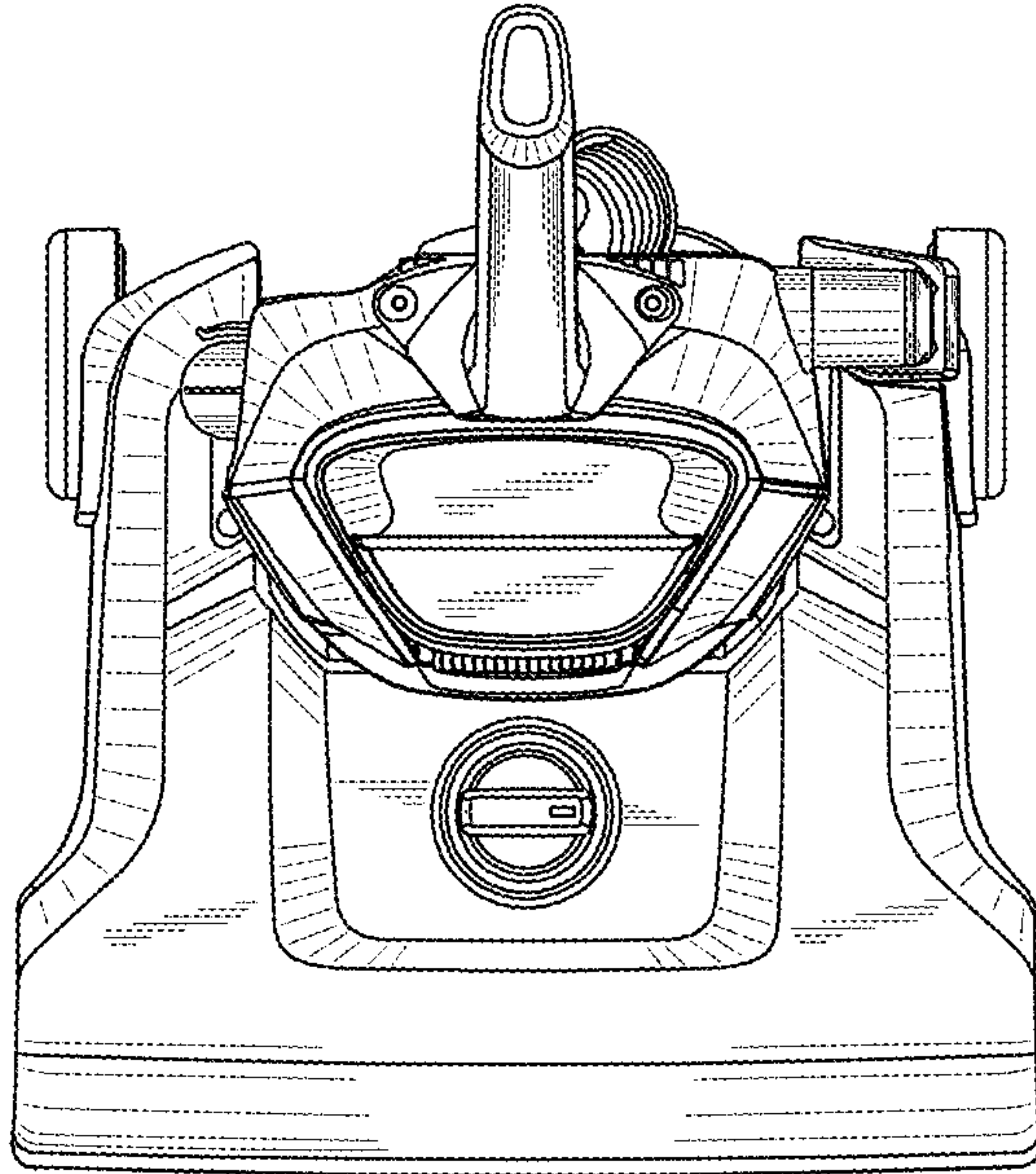


FIG. 6