



US00D823564S

(12) **United States Design Patent** (10) **Patent No.:** **US D823,564 S**
Koyama (45) **Date of Patent:** **** Jul. 17, 2018**

(54) **VACUUM CLEANER BODY**

(71) Applicant: **Toshiba Lifestyle Products & Services Corporation**, Kawasaki-shi, Kanagawa (JP)

(72) Inventor: **Takashi Koyama**, Kawasaki (JP)

(73) Assignee: **Toshiba Lifestyle Products & Services Corporation**, Kawasaki-shi, Kanagawa (JP)

(**) Term: **15 Years**

(21) Appl. No.: **29/614,295**

(22) Filed: **Aug. 17, 2017**

(30) **Foreign Application Priority Data**
 Mar. 17, 2017 (JP) 2017-005438

(51) **LOC (11) Cl.** **15-05**

(52) **U.S. Cl.**
 USPC **D32/21**

(58) **Field of Classification Search**
 USPC D32/21-24, 31
 CPC E04H 4/1654; A47L 9/2842; A47L 9/26;
 A47L 9/325; A47L 9/009; A47L 11/34;
 A47L 5/362; A47L 5/365; A47L 7/0004;
 A47L 7/0019
 See application file for complete search history.

D670,464 S * 11/2012 Mastio D32/21
 8,769,767 B2 * 7/2014 Conrad A47L 5/36
 15/327.1
 D760,459 S * 6/2016 Carter D32/31
 D767,833 S * 9/2016 Carter D32/21
 D787,760 S * 5/2017 Mainville D32/21
 D789,003 S * 6/2017 Mainville D32/21
 D808,095 S * 1/2018 Sebor D32/21
 D808,097 S * 1/2018 Koyama D32/21

FOREIGN PATENT DOCUMENTS

CN	301005013D	9/2009
CN	303395942 S	9/2015
JP	D974204	2/1997
JP	D1114804	7/2001
JP	D1114805	7/2001
JP	D1158436	11/2002

* cited by examiner

Primary Examiner — Ruth McInroy
 (74) *Attorney, Agent, or Firm* — Banner & Witcoff, Ltd.

(57) **CLAIM**

The ornamental design for a vacuum cleaner body, as shown and described.

DESCRIPTION

FIG. 1 is a front perspective view of a vacuum cleaner body showing my new design;
 FIG. 2 is a rear perspective view thereof.
 FIG. 3 is a front elevational view thereof,
 FIG. 4 is a rear elevational view thereof,
 FIG. 5 is a top plan view thereof,
 FIG. 6 is a bottom plan view thereof,
 FIG. 7 is a left side elevational view thereof; and,
 FIG. 8 is a right side elevational view thereof.

1 Claim, 4 Drawing Sheets

(56) **References Cited**
 U.S. PATENT DOCUMENTS

D430,960 S	*	9/2000	van der Meyden	D32/21
D443,738 S	*	6/2001	Makihara	D32/21
D444,280 S	*	6/2001	Rief	D32/21

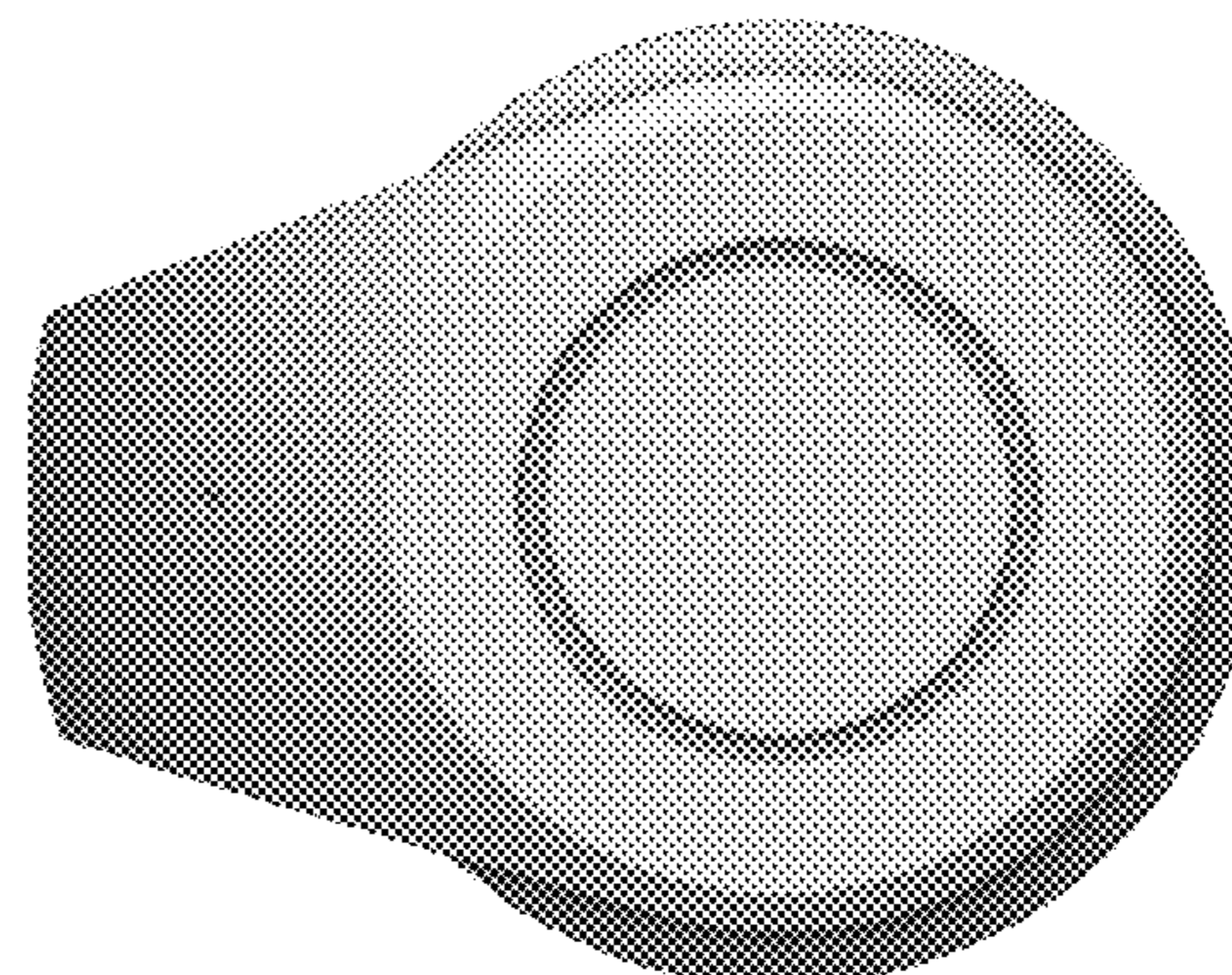
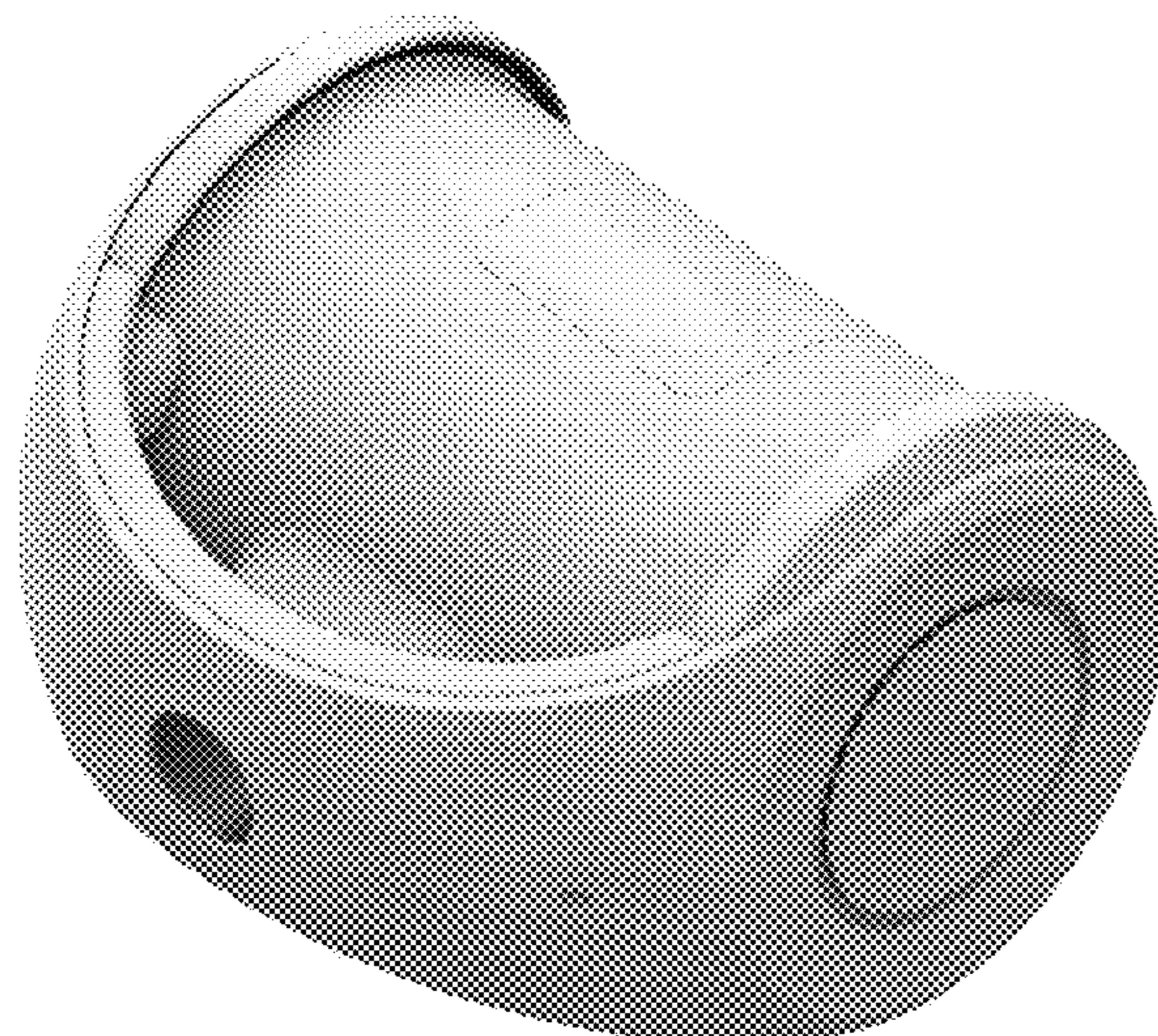


FIG.1

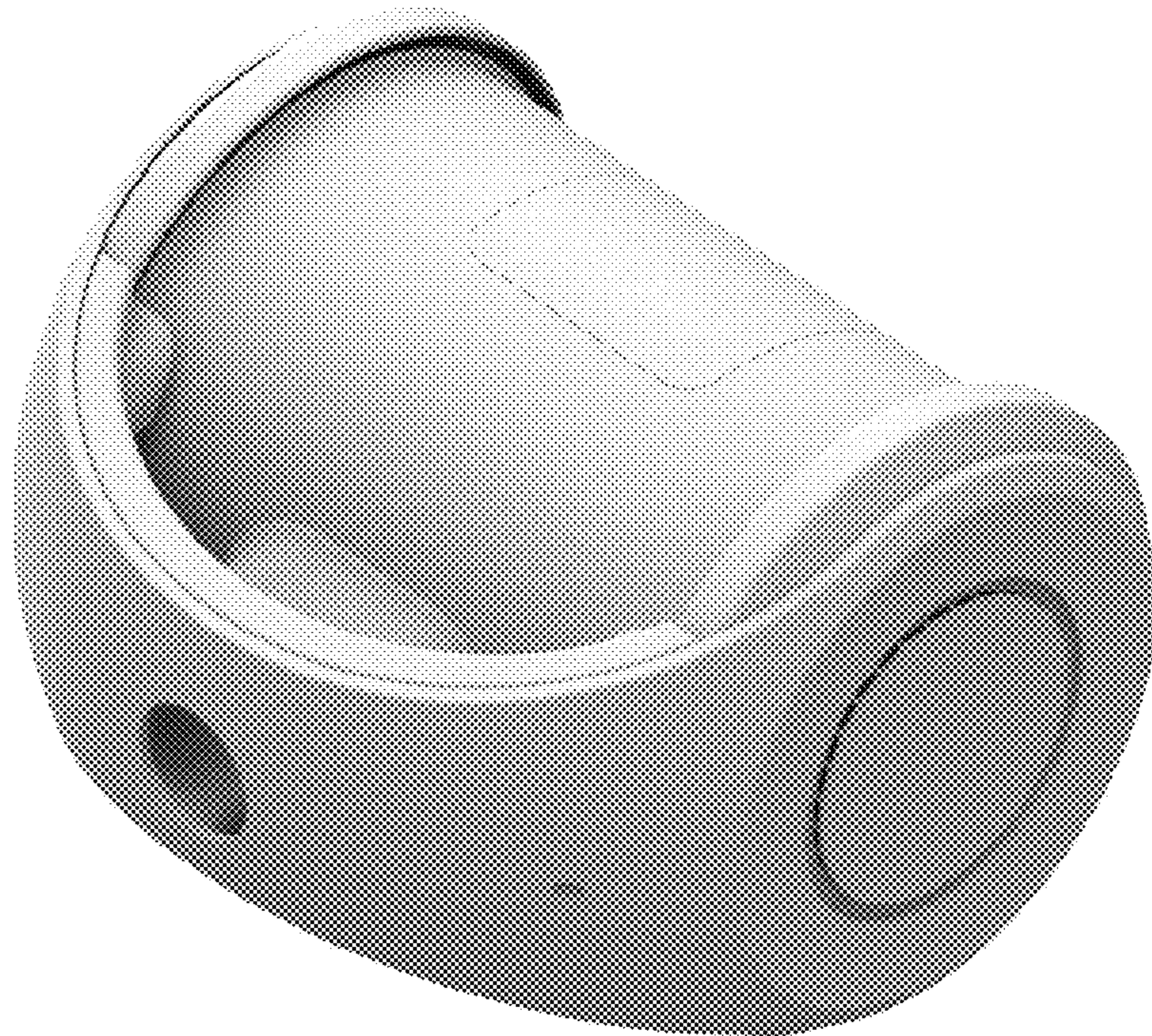


FIG.2

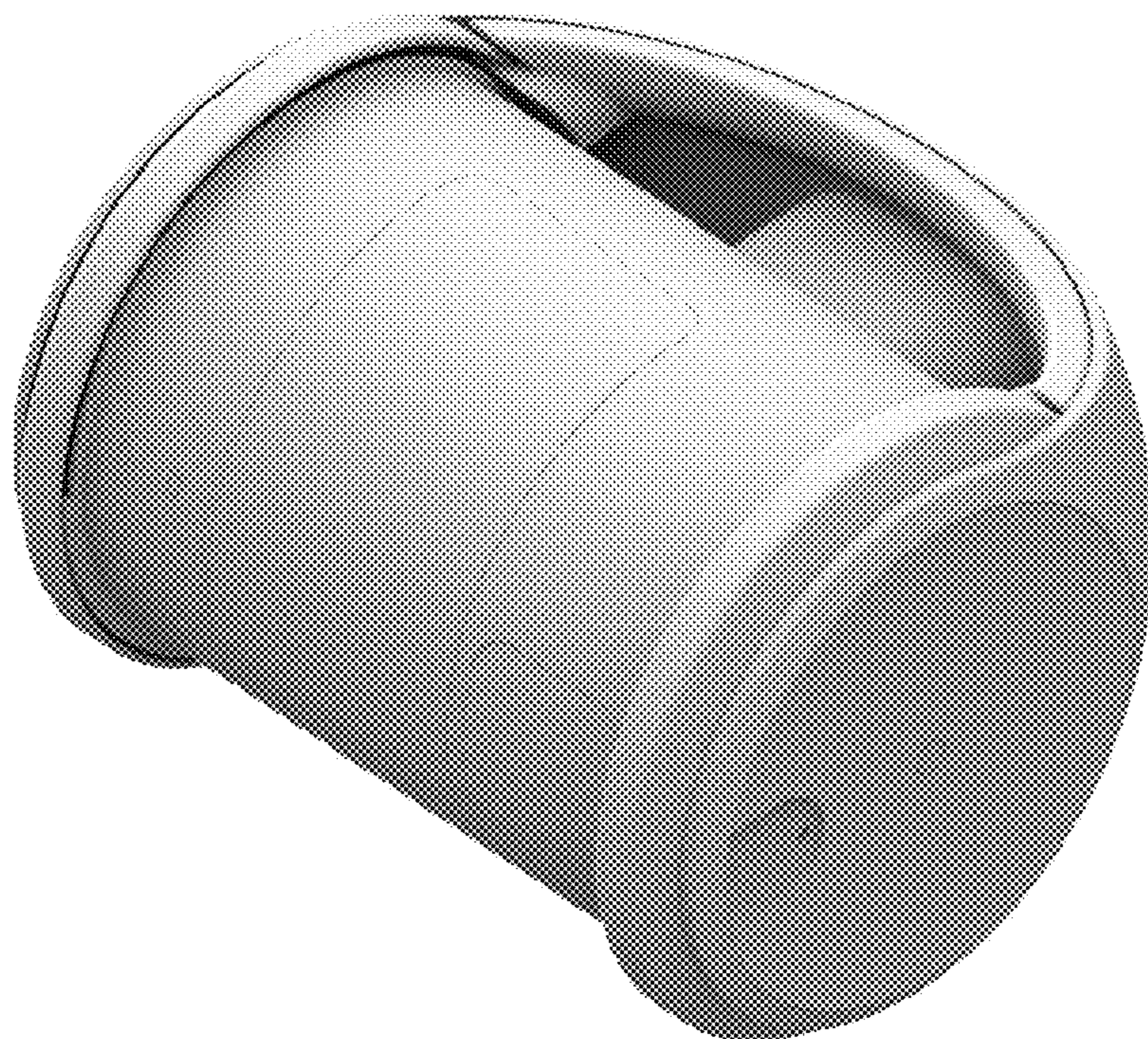


FIG.3

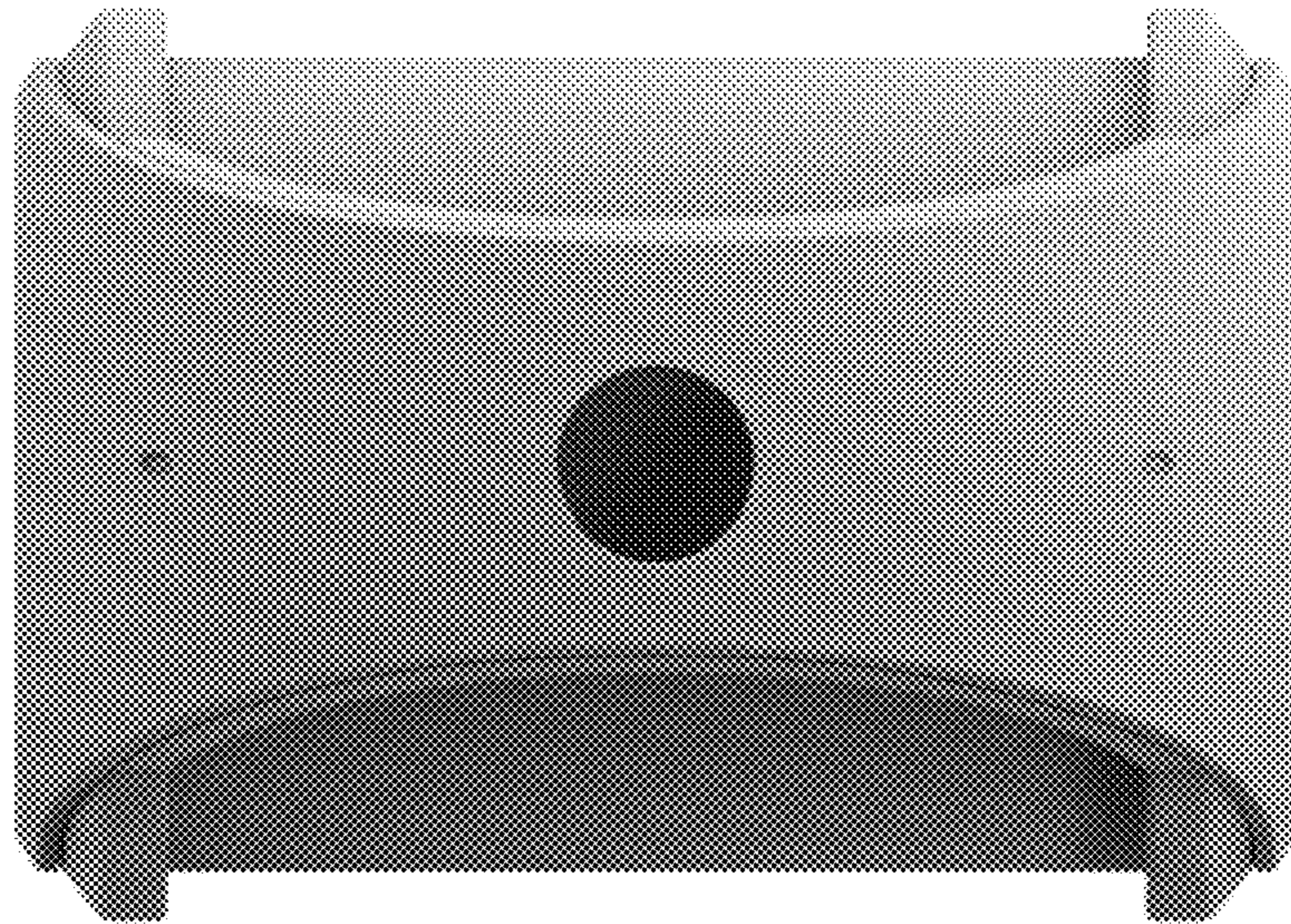


FIG.4

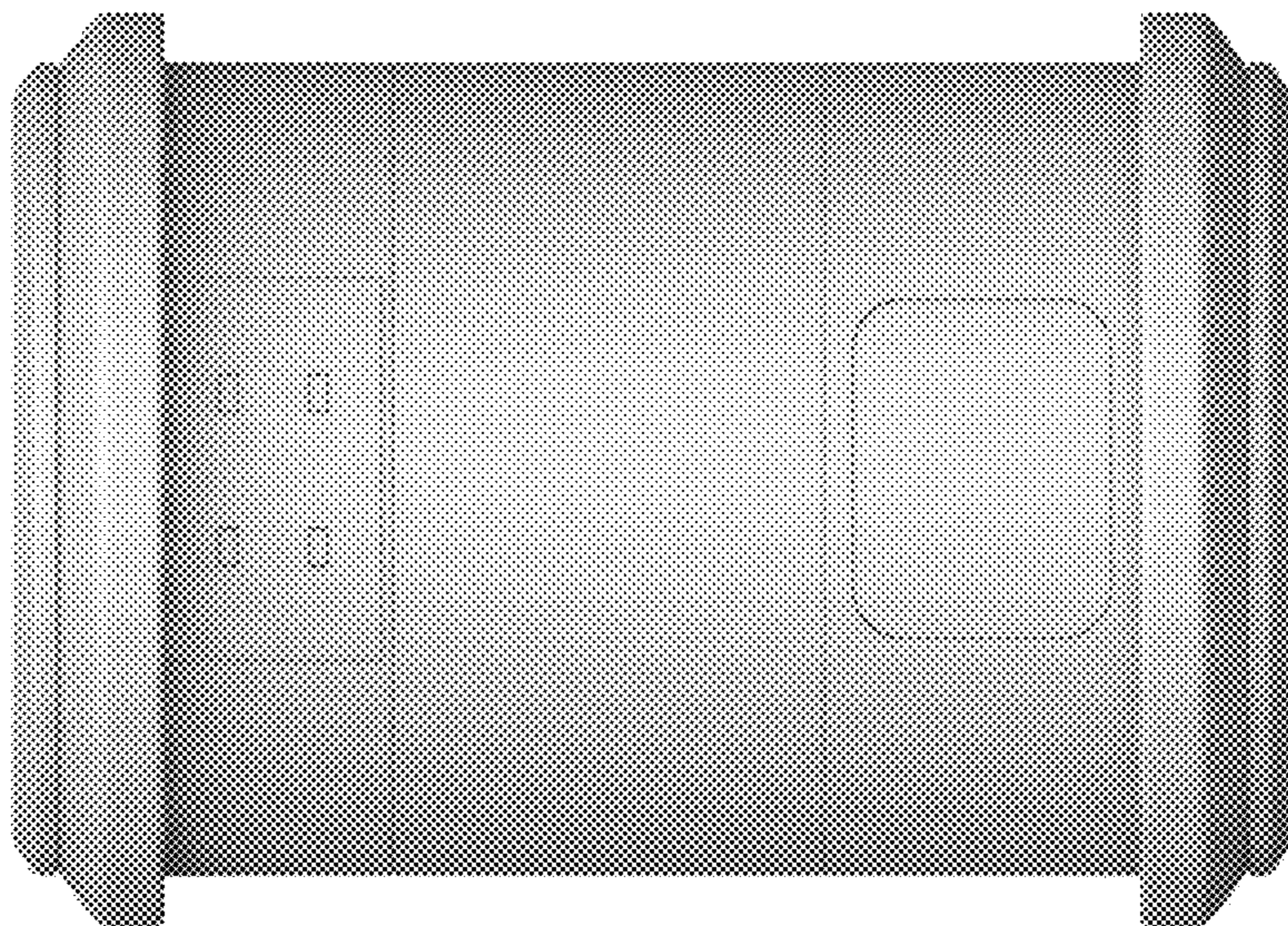


FIG.5

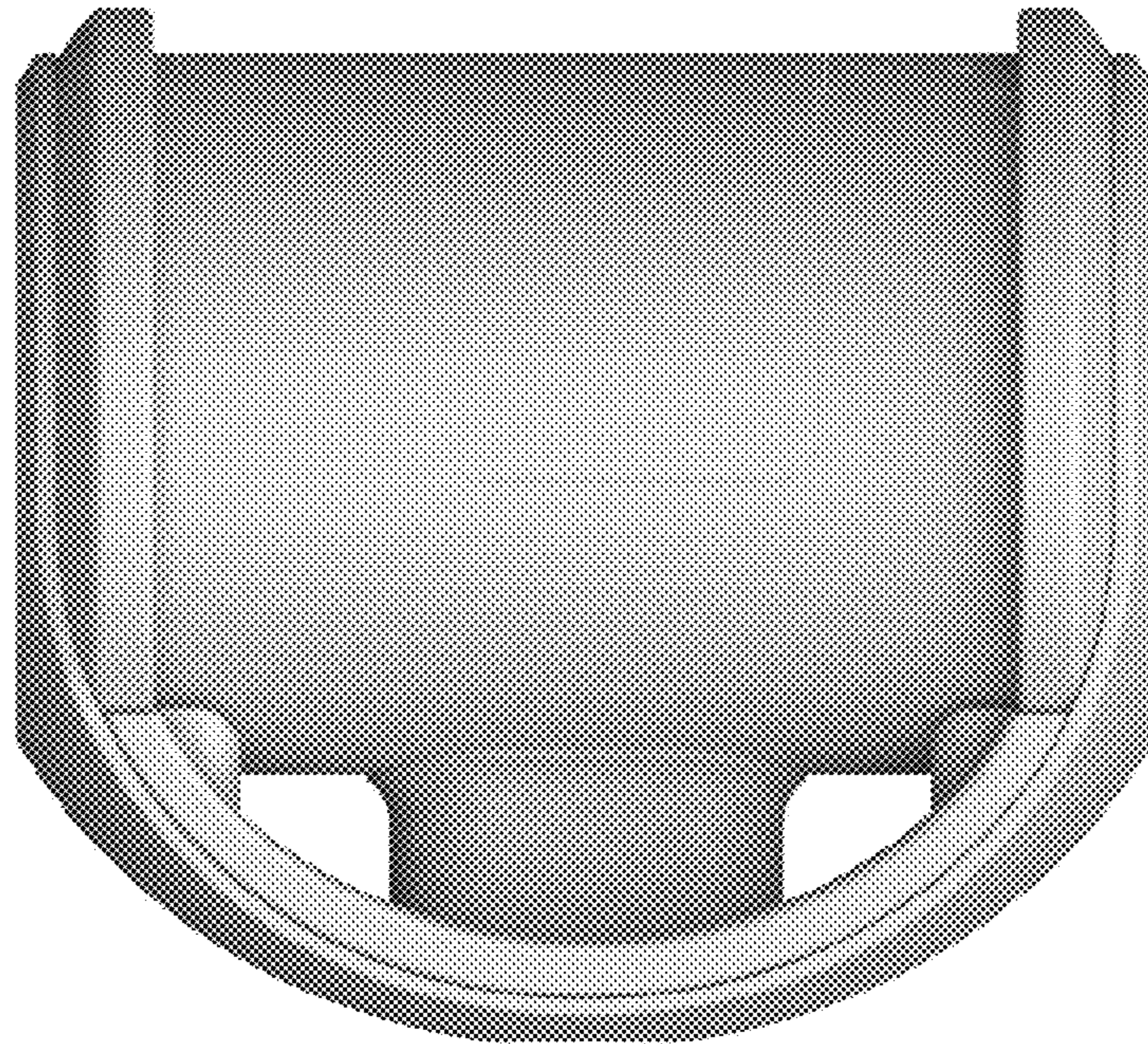


FIG.6

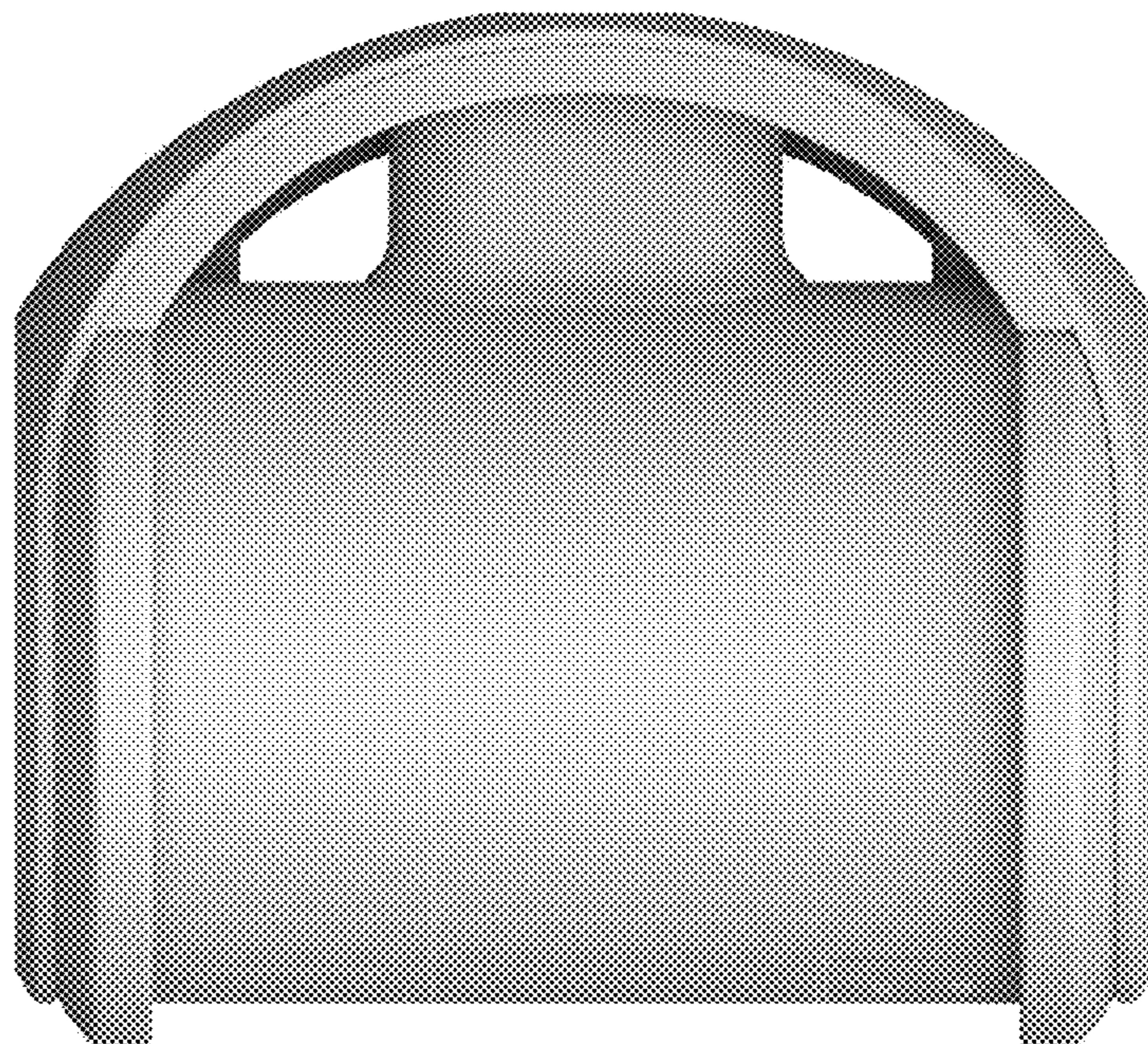


FIG.7

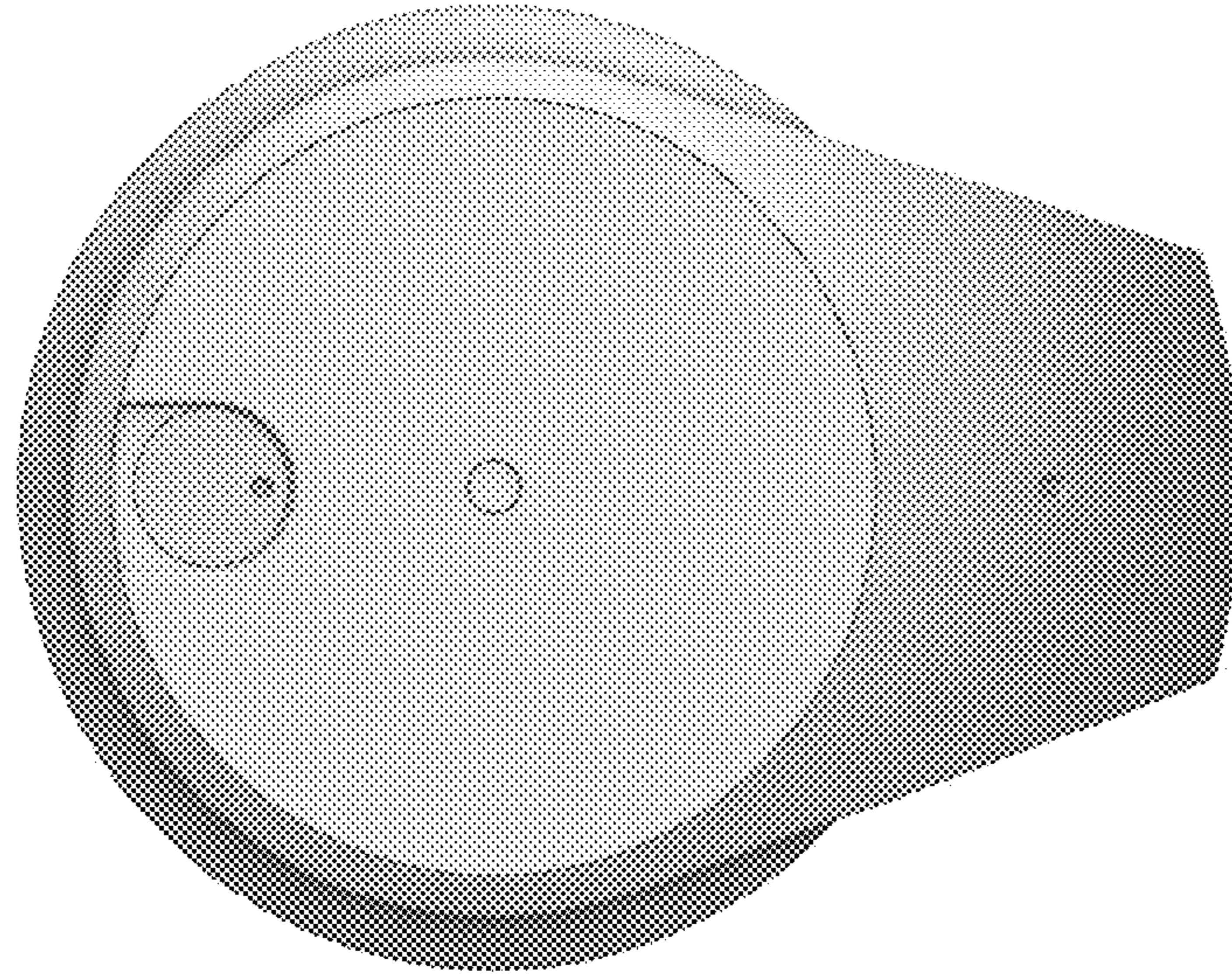


FIG.8

