



US00D823563S

(12) **United States Design Patent** (10) **Patent No.:** **US D823,563 S**
Ninomiya (45) **Date of Patent:** **** Jul. 17, 2018**

(54) **VACUUM CLEANER BODY**
 (71) Applicant: **Toshiba Lifestyle Products & Services Corporation**, Kawasaki-shi, Kanagawa (JP)
 (72) Inventor: **Masato Ninomiya**, Kawasaki (JP)
 (73) Assignee: **Toshiba Lifestyle Products & Services Corporation**, Kawasaki-shi, Kanagawa (JP)
 (**) Term: **15 Years**
 (21) Appl. No.: **29/614,293**
 (22) Filed: **Aug. 17, 2017**

(30) **Foreign Application Priority Data**
 Mar. 17, 2017 (JP) 2017-005441
 (51) **LOC (11) Cl.** **15-05**
 (52) **U.S. Cl.**
 USPC **D32/21**
 (58) **Field of Classification Search**
 USPC D32/21-24, 31
 CPC E04H 4/1654; A47L 9/2842; A47L 9/26;
 A47L 9/325; A47L 9/009; A47L 11/34;
 A47L 5/362; A47L 5/365; A47L 7/0004;
 A47L 7/0019
 See application file for complete search history.

(56) **References Cited**
 U.S. PATENT DOCUMENTS
 D430,960 S * 9/2000 van der Meyden D32/21
 D443,738 S * 6/2001 Makihara D32/21
 D444,280 S * 6/2001 Rief D32/21

D670,464 S * 11/2012 Mastio D32/21
 8,769,767 B2 * 7/2014 Conrad A47L 5/36
 15/327.1
 D760,459 S * 6/2016 Carter D32/31
 D767,833 S * 9/2016 Carter D32/21
 D787,760 S * 5/2017 Mainville D32/21
 D789,003 S * 6/2017 Mainville D32/21
 D808,095 S * 1/2018 Sebor D32/21
 D808,097 S * 1/2018 Koyama D32/21

FOREIGN PATENT DOCUMENTS

CN	303102223 S	2/2015
JP	D1092833	12/2000
JP	D1158436	11/2002
JP	D1518741	3/2015
JP	D1518753	3/2015
JP	D1530180	8/2015

* cited by examiner

Primary Examiner — Ruth McInroy
 (74) *Attorney, Agent, or Firm* — Banner & Witcoff, Ltd.

(57) **CLAIM**
 The ornamental design for a vacuum cleaner body, as shown and described.

DESCRIPTION
 FIG. 1 is a front perspective view of a vacuum cleaner body showing my new design;
 FIG. 2 is a rear perspective view thereof.
 FIG. 3 is a front elevational view thereof,
 FIG. 4 is a rear elevational view thereof,
 FIG. 5 is a top plan view thereof,
 FIG. 6 is a bottom plan view thereof,
 FIG. 7 is a left side elevational view thereof; and,
 FIG. 8 is a right side elevational view thereof.

1 Claim, 4 Drawing Sheets

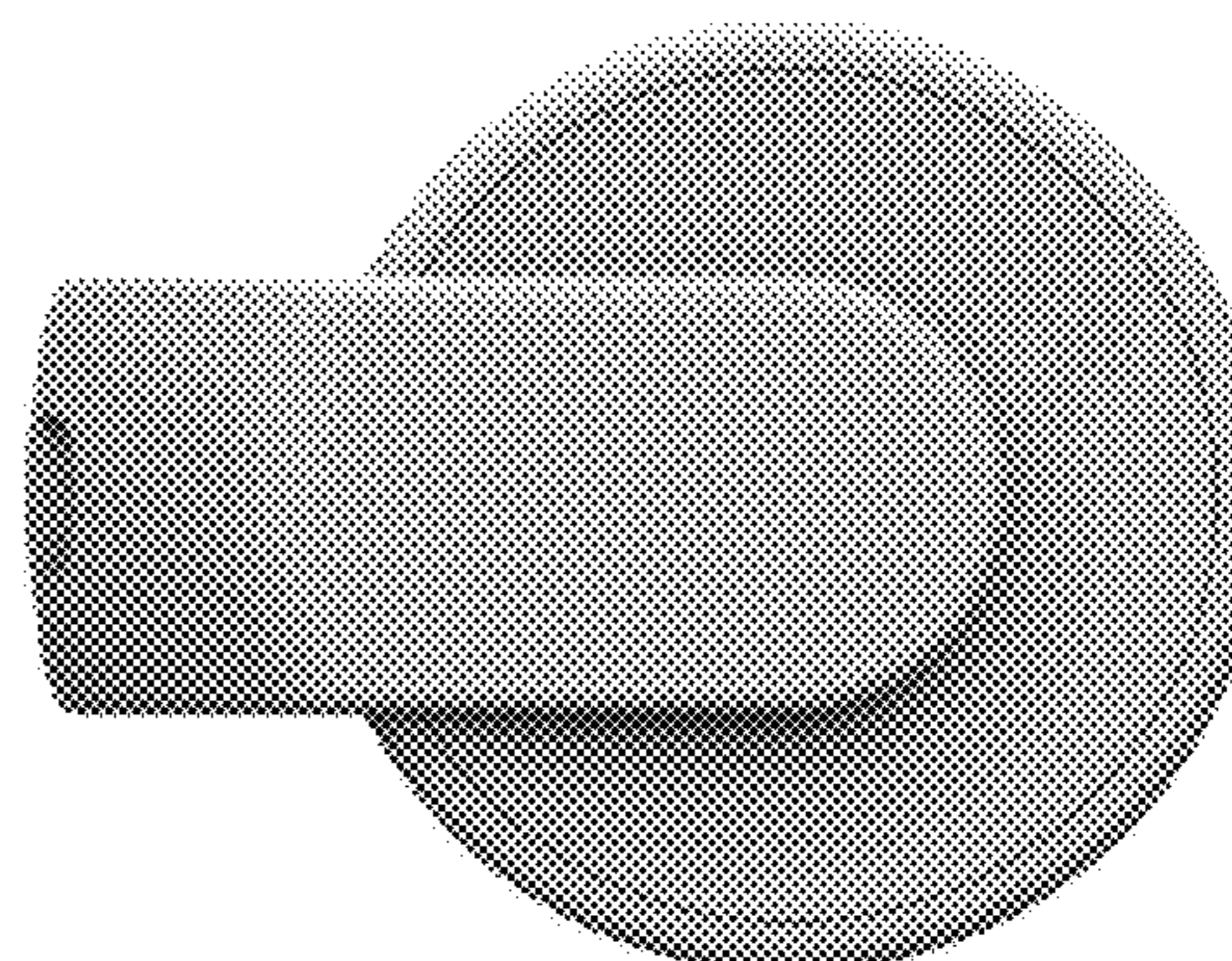
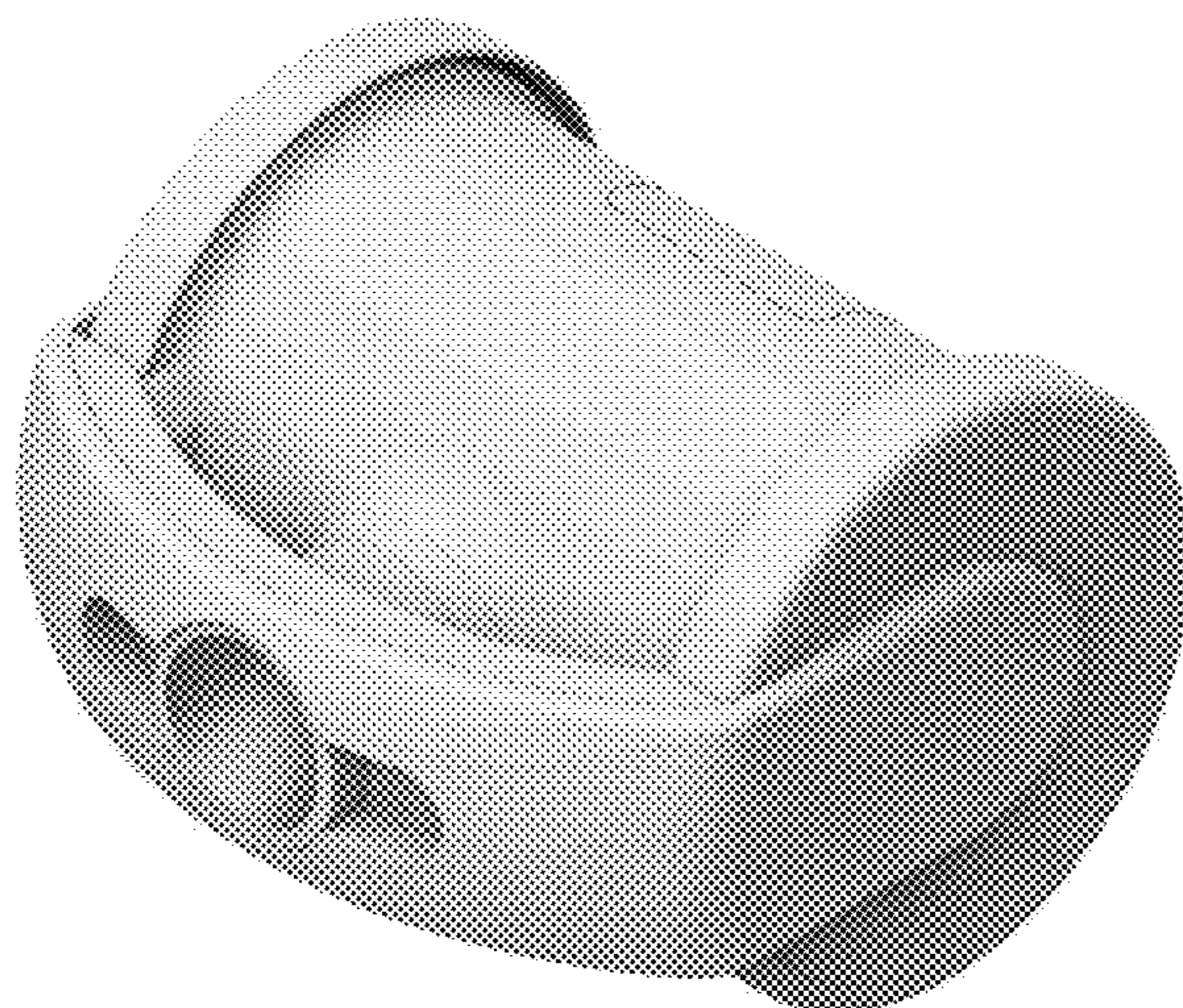


FIG.1



FIG.2

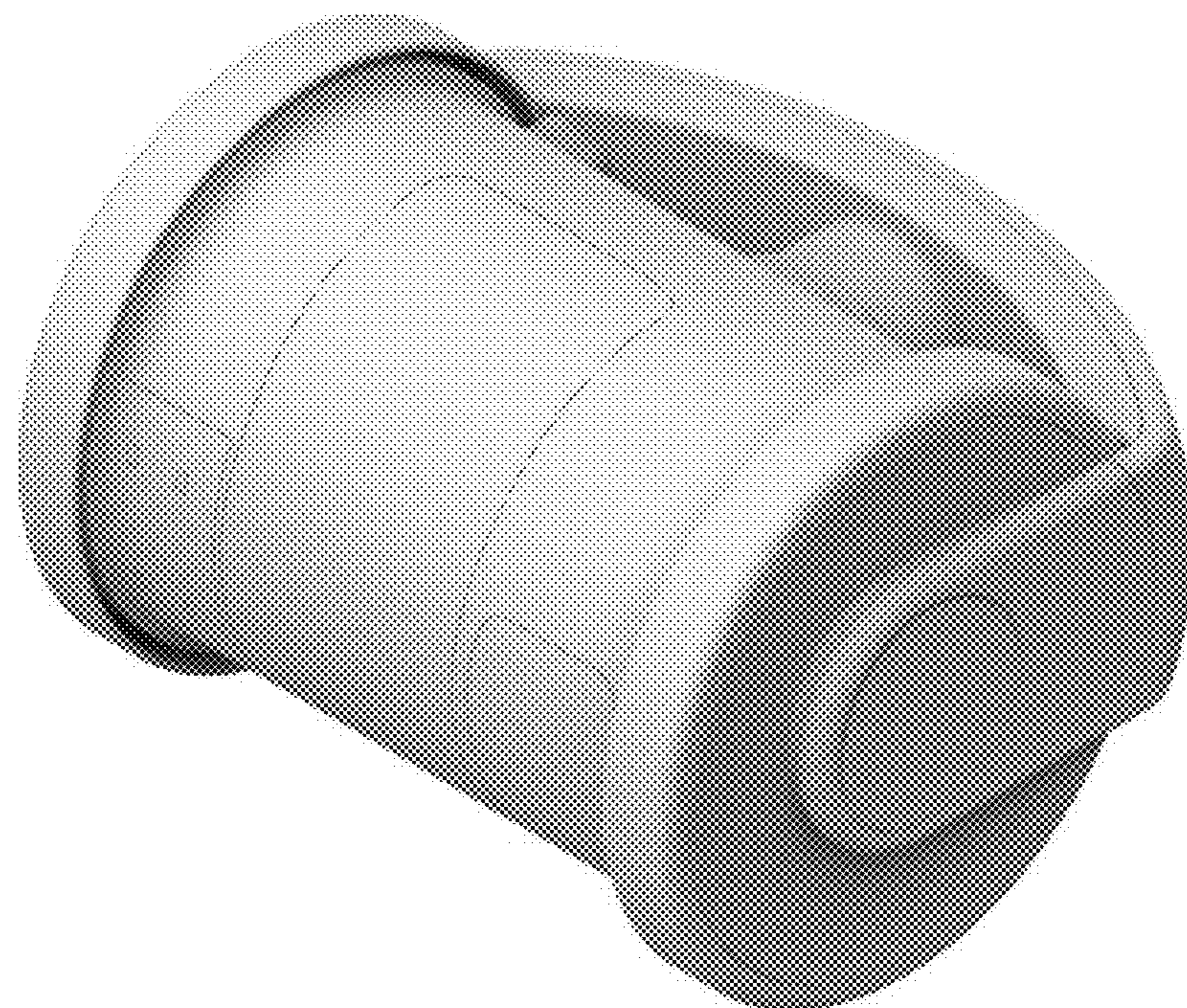


FIG.3

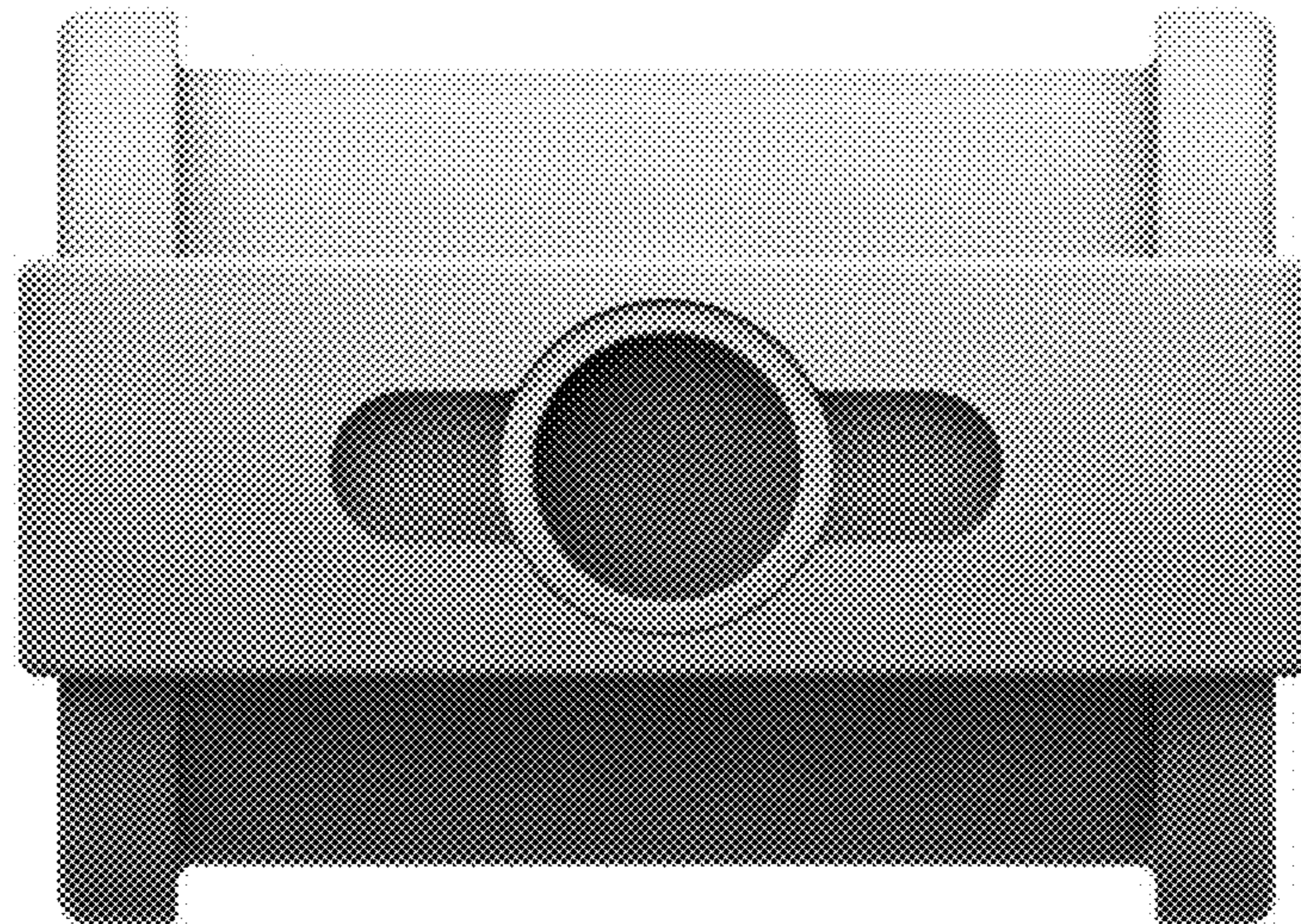


FIG.4

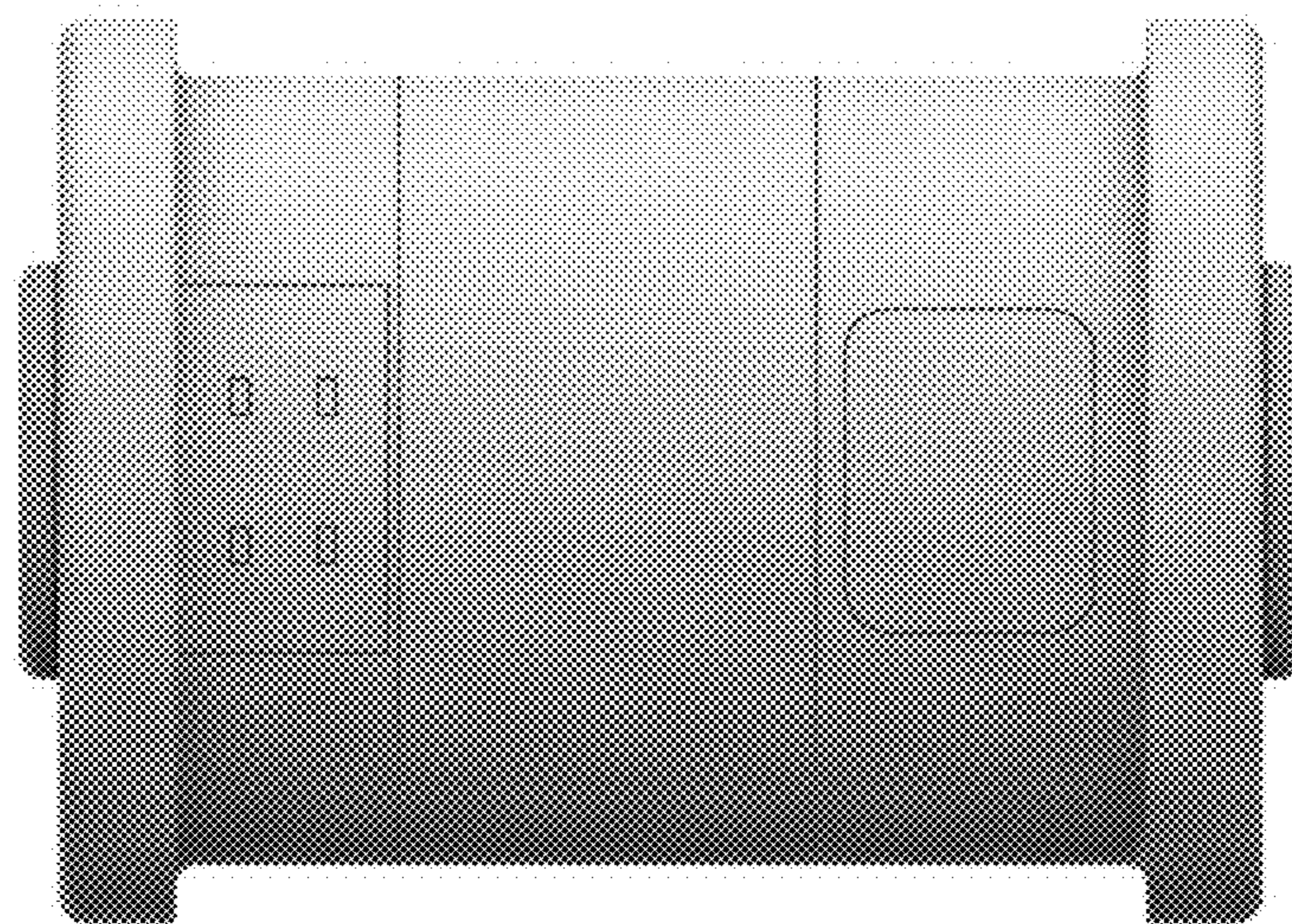


FIG.5

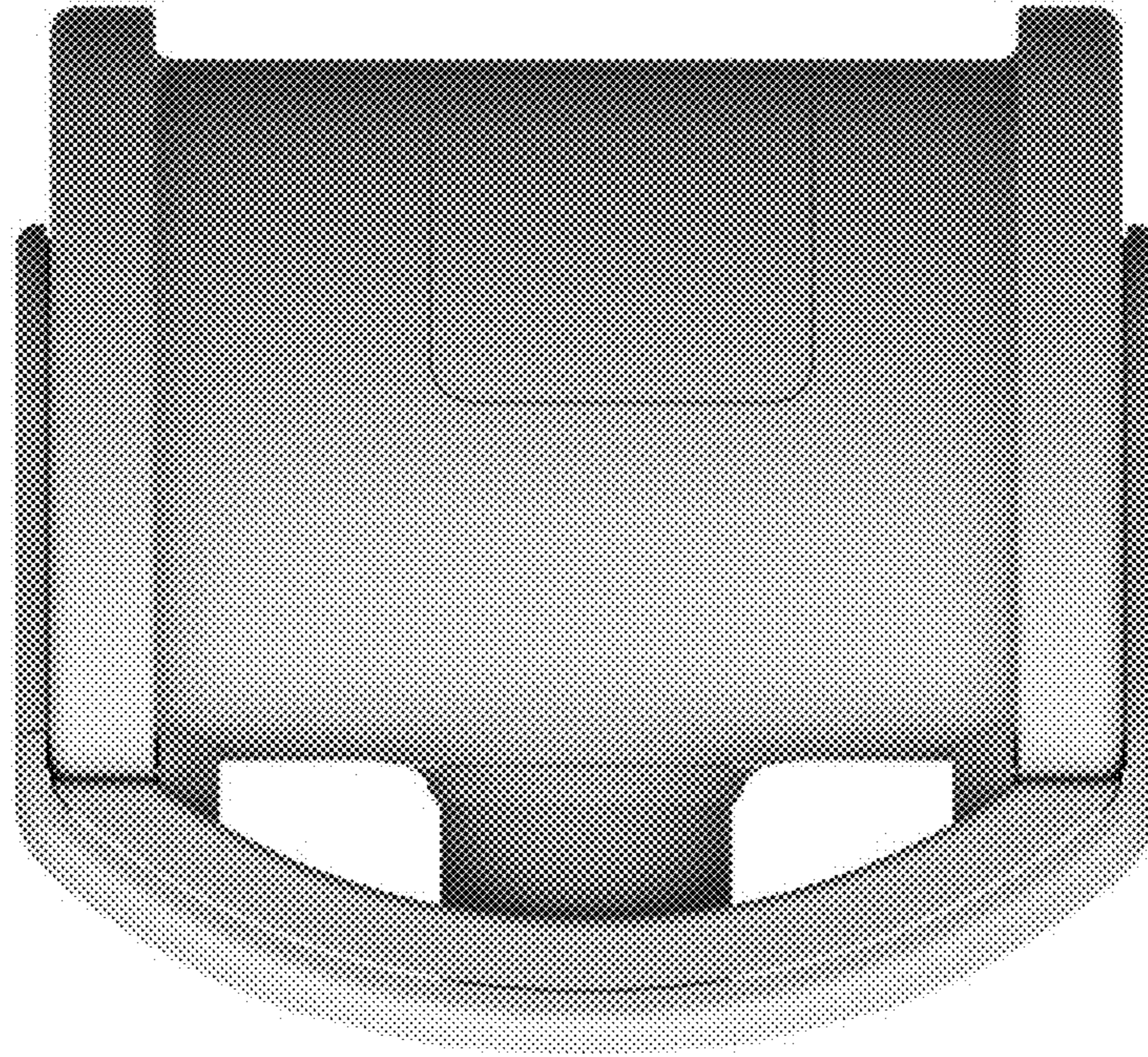


FIG.6

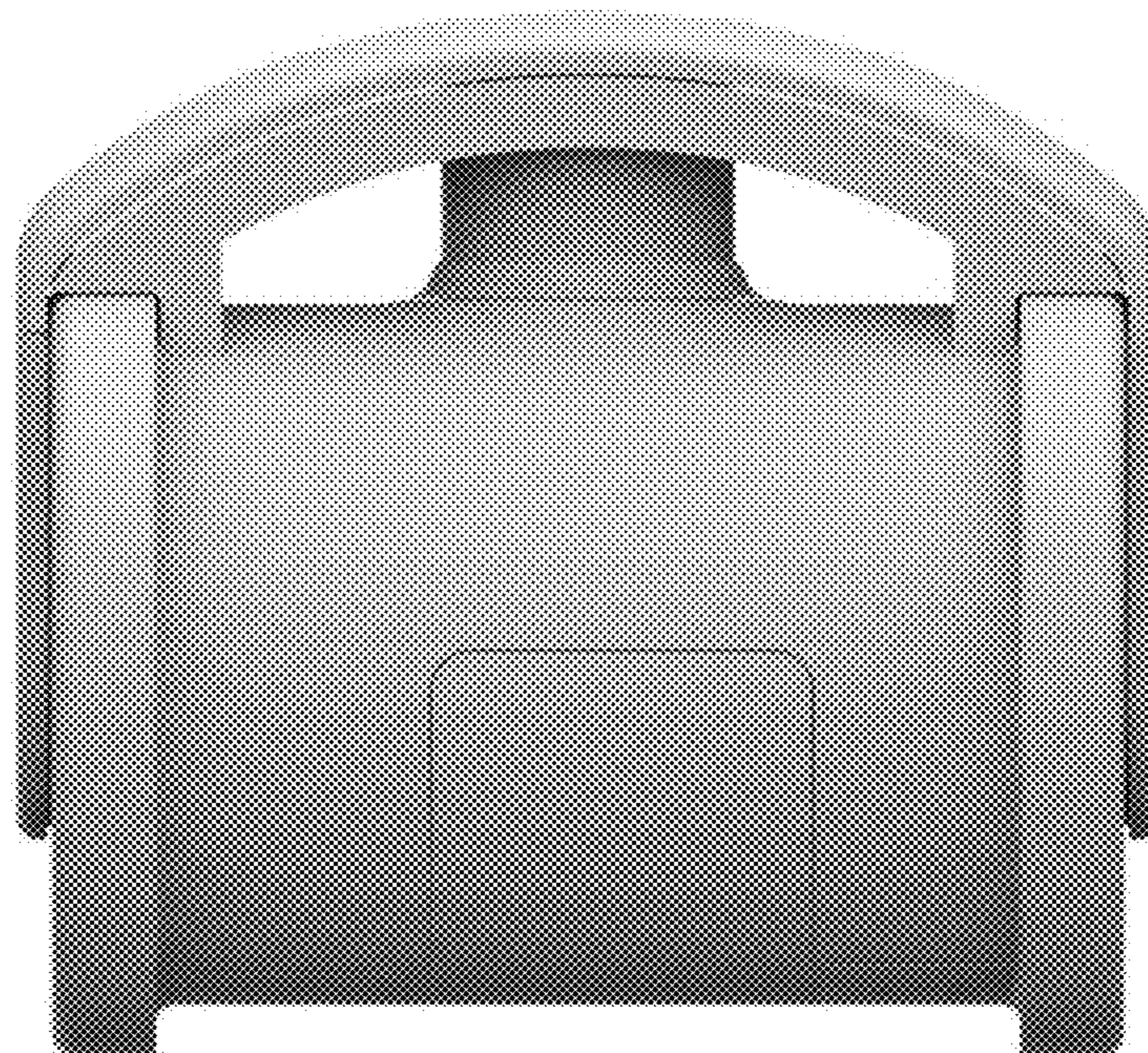


FIG. 7

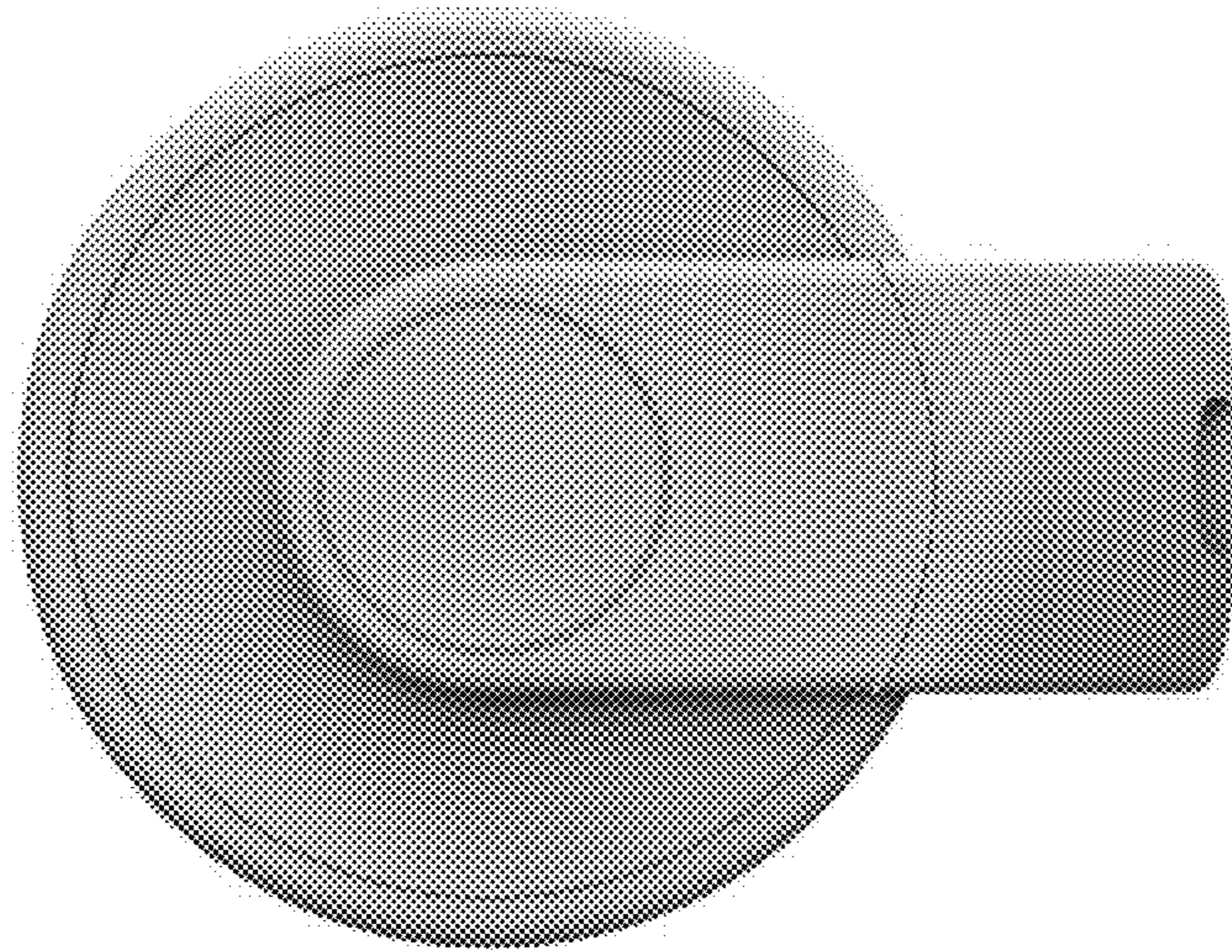


FIG. 8

