



US00D823562S

(12) **United States Design Patent**  
**Yamanouchi**

(10) **Patent No.:** **US D823,562 S**  
(45) **Date of Patent:** **\*\* Jul. 17, 2018**

- (54) **VACUUM CLEANER BODY**
- (71) Applicant: **Toshiba Lifestyle Products & Services Corporation**, Kawasaki-shi, Kanagawa (JP)
- (72) Inventor: **Toshiyuki Yamanouchi**, Yokohama (JP)
- (73) Assignee: **Toshiba Lifestyle Products & Services Corporation**, Kawasaki-shi, Kanagawa (JP)
- (\*\*) Term: **15 Years**
- (21) Appl. No.: **29/614,287**
- (22) Filed: **Aug. 17, 2017**

8,769,767 B2 \* 7/2014 Conrad ..... A47L 5/36  
15/327.1  
D760,459 S \* 6/2016 Carter ..... D32/31  
D767,833 S \* 9/2016 Carter ..... D32/21  
D787,760 S \* 5/2017 Mainville ..... D32/21  
D789,003 S \* 6/2017 Mainville ..... D32/21  
D808,095 S \* 1/2018 Sebor ..... D32/21  
D808,097 S \* 1/2018 Koyama ..... D32/21

(30) **Foreign Application Priority Data**

Mar. 17, 2017 (JP) ..... 2017-005440

- (51) **LOC (11) Cl.** ..... **15-05**
- (52) **U.S. Cl.**  
USPC ..... **D32/21**
- (58) **Field of Classification Search**  
USPC ..... D32/21-24, 31  
CPC ..... E04H 4/1654; A47L 9/2842; A47L 9/26;  
A47L 9/325; A47L 9/009; A47L 11/34;  
A47L 5/362; A47L 5/365; A47L 7/0004;  
A47L 7/0019  
See application file for complete search history.

(56) **References Cited**

**U.S. PATENT DOCUMENTS**

D430,960 S \* 9/2000 van der Meyden ..... D32/21  
D443,738 S \* 6/2001 Makihara ..... D32/21  
D444,280 S \* 6/2001 Rief ..... D32/21  
D670,464 S \* 11/2012 Mastio ..... D32/21

**FOREIGN PATENT DOCUMENTS**

JP D974204 2/1997  
JP D977951 3/1997  
JP D1037735 5/1999  
JP D1092833 12/2000  
JP D1115815 7/2001  
JP D1158436 11/2002  
JP D1518741 3/2015  
JP D1518753 3/2015  
JP D1530180 8/2015

\* cited by examiner

*Primary Examiner* — Ruth McInroy

(74) *Attorney, Agent, or Firm* — Banner & Witcoff, Ltd.

(57) **CLAIM**

The ornamental design for a vacuum cleaner body, as shown and described.

**DESCRIPTION**

FIG. 1 FIG. 1 is a front perspective view of a vacuum cleaner body showing my new design;  
FIG. 2 is a rear perspective view thereof.  
FIG. 3 is a front elevational view thereof,  
FIG. 4 is a rear elevational view thereof,  
FIG. 5 is a top plan view thereof,  
FIG. 6 is a bottom plan view thereof,  
FIG. 7 is a left side elevational view thereof; and,  
FIG. 8 is a right side elevational view thereof.

**1 Claim, 4 Drawing Sheets**

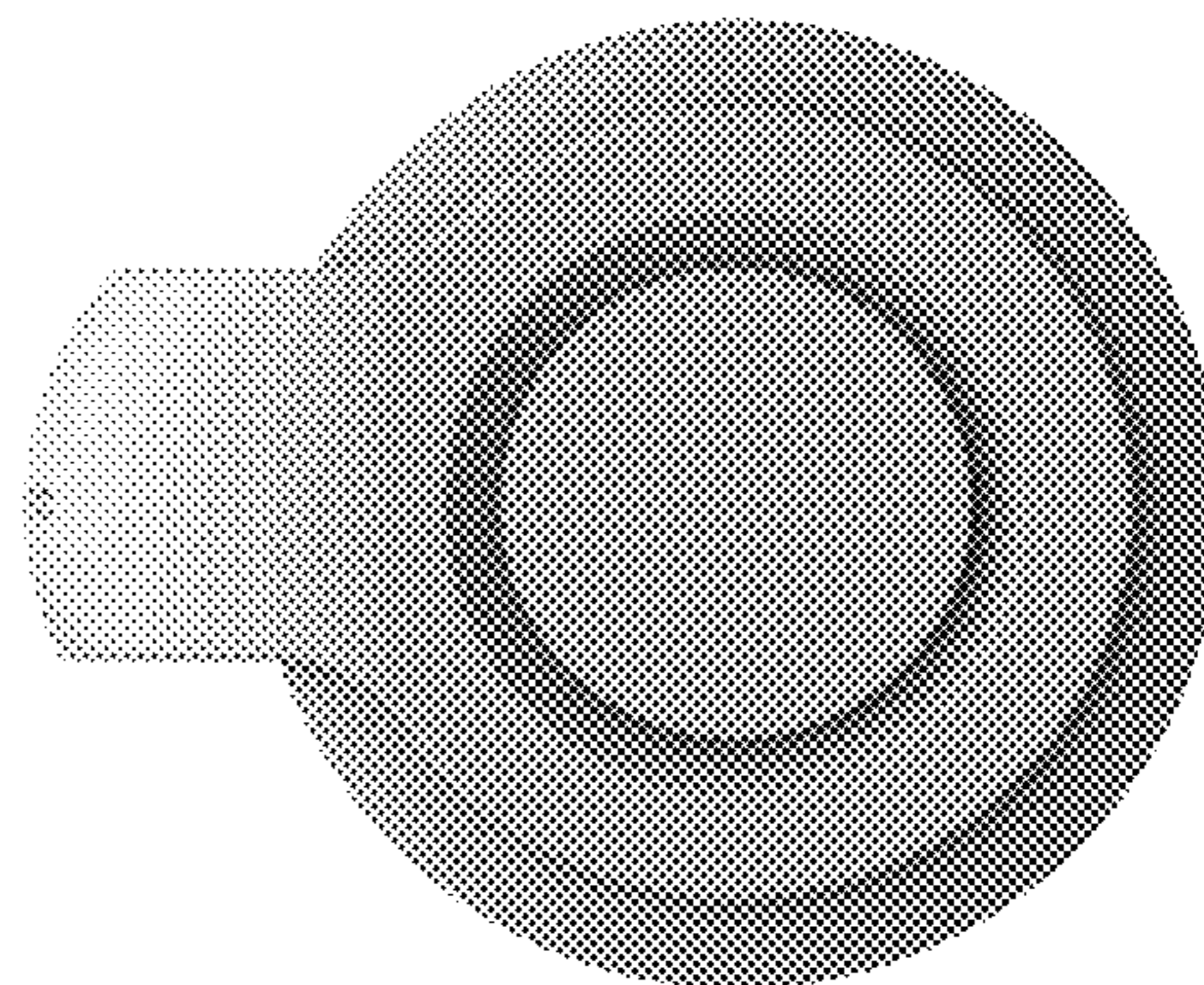
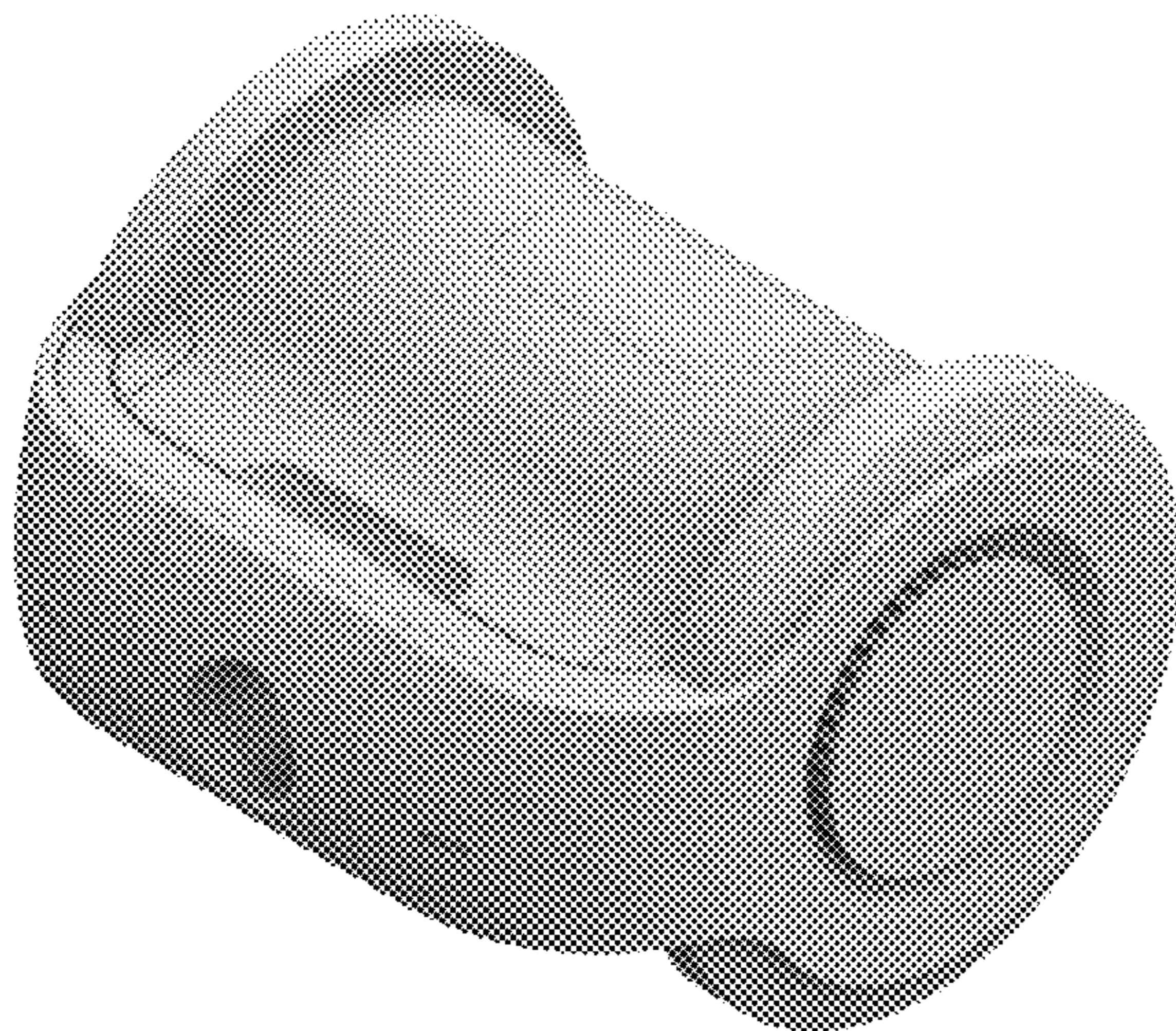




FIG.1



FIG.2

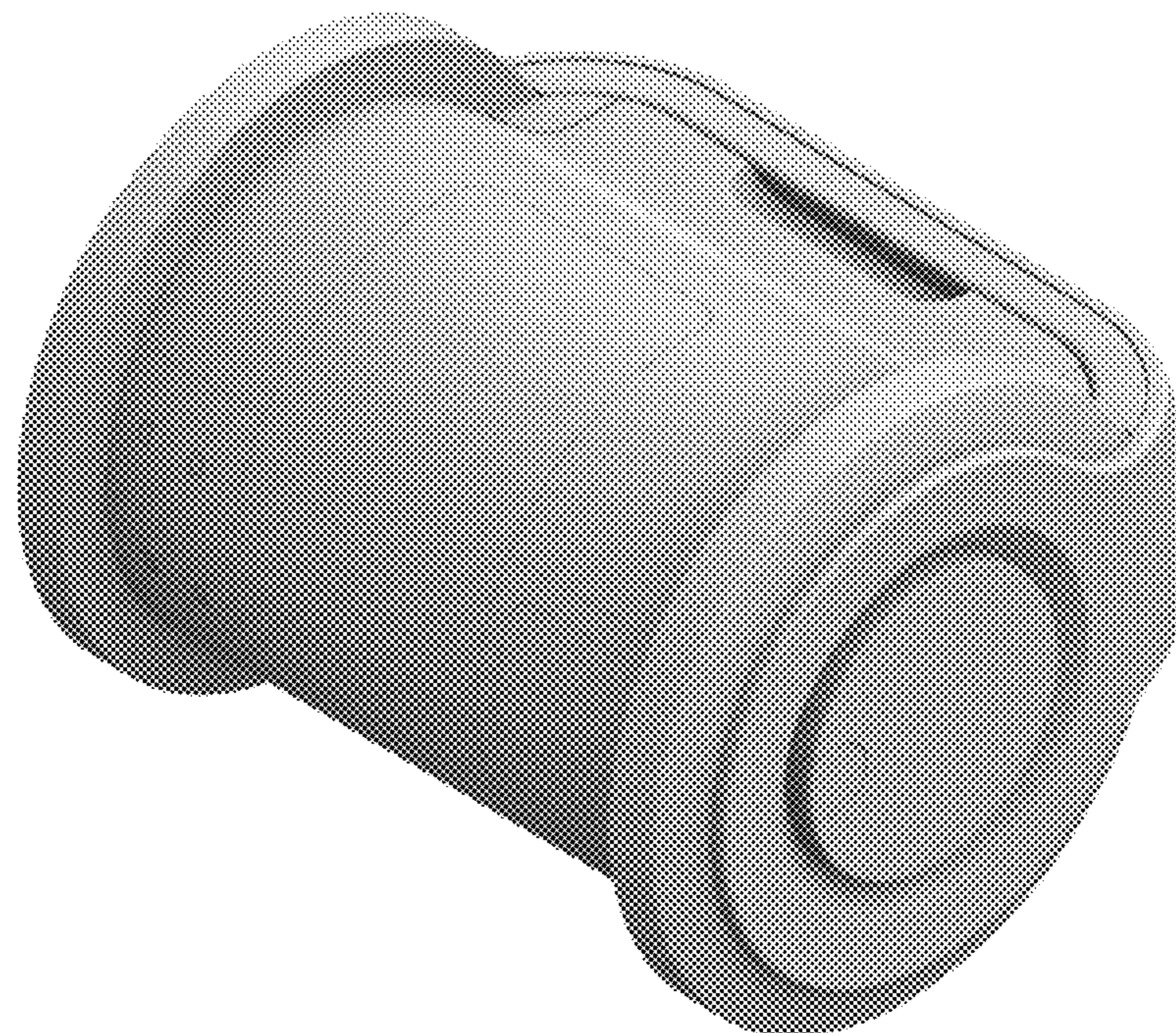




FIG.3

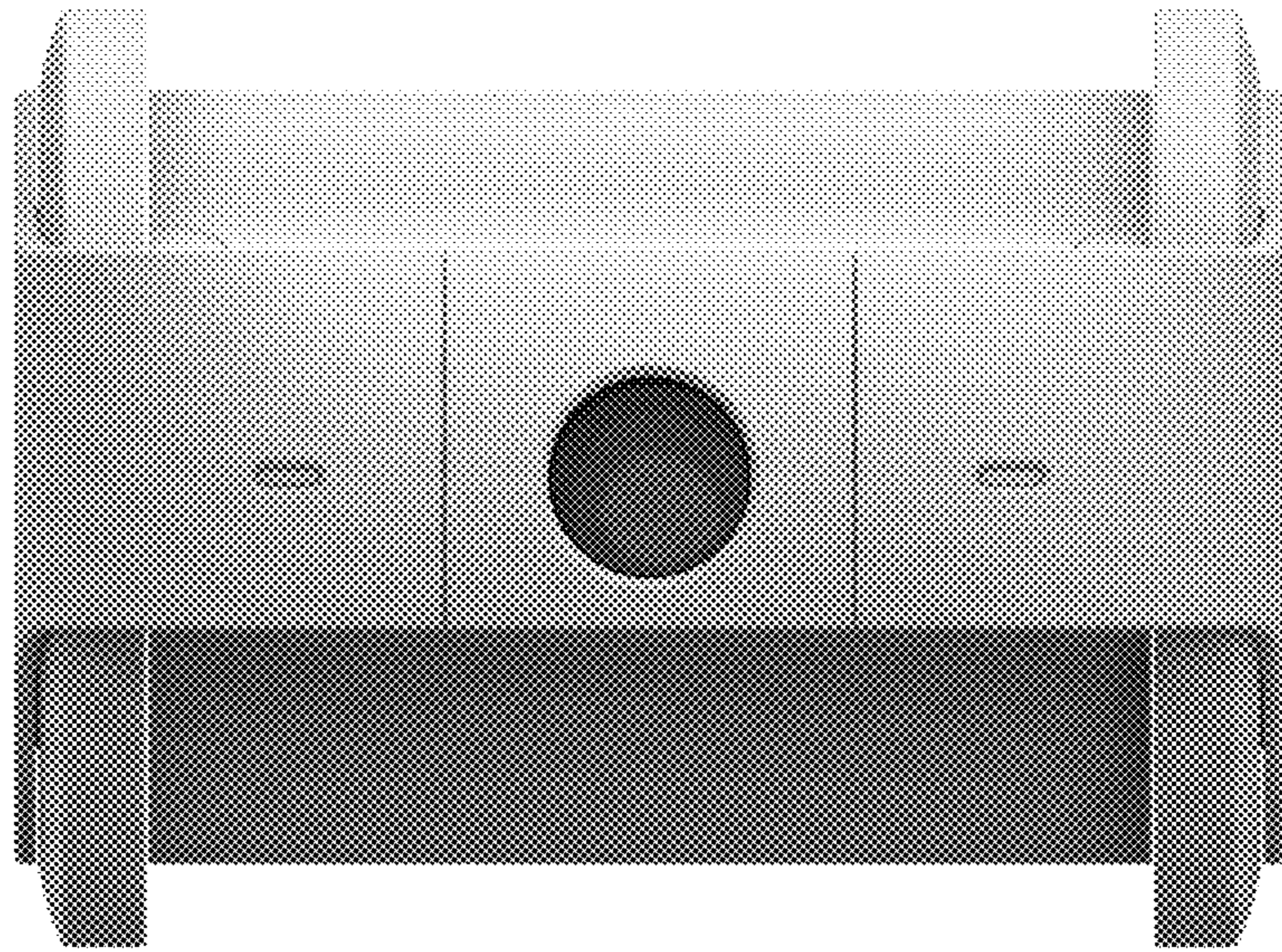


FIG.4

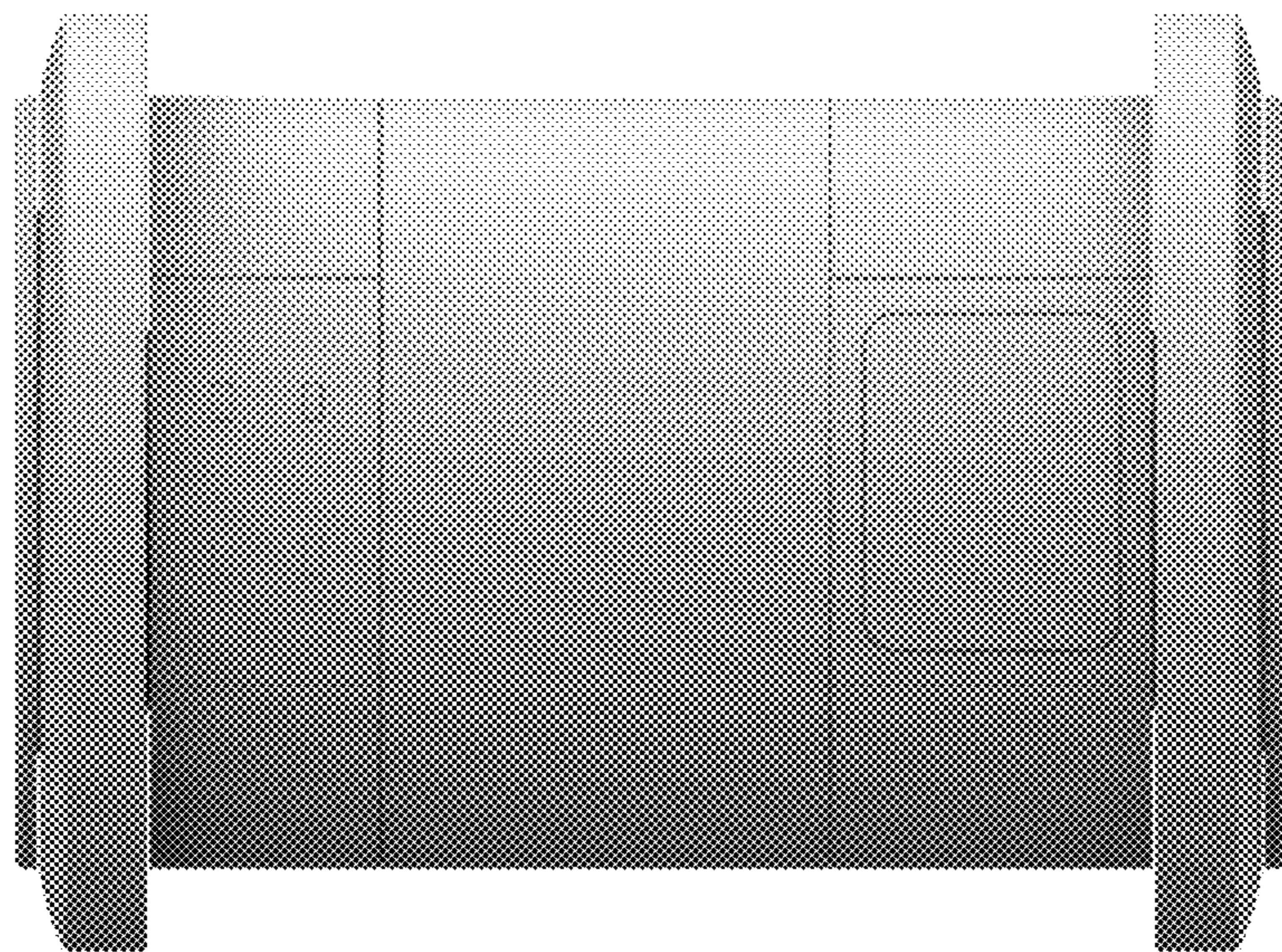




FIG.5

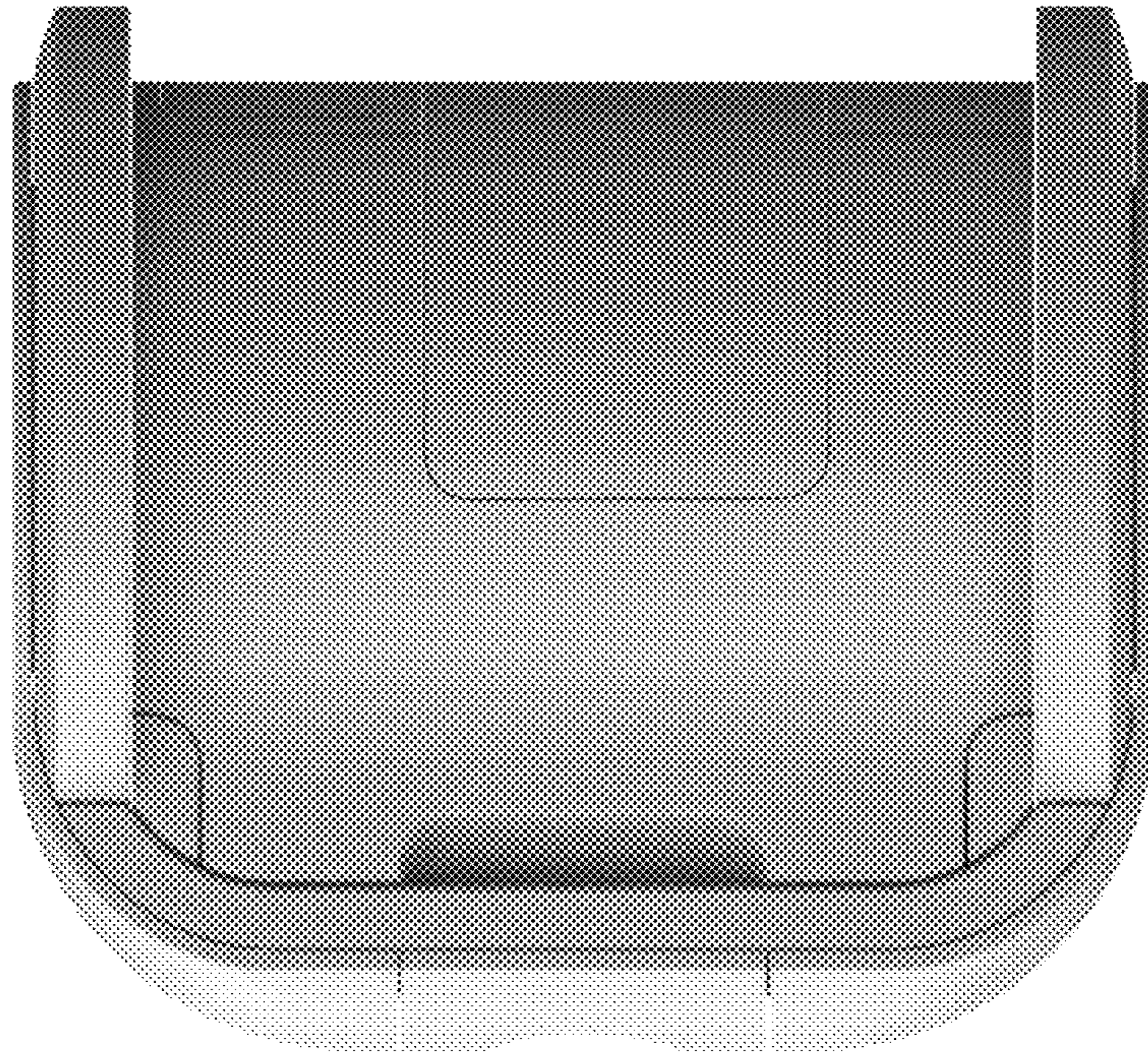


FIG.6

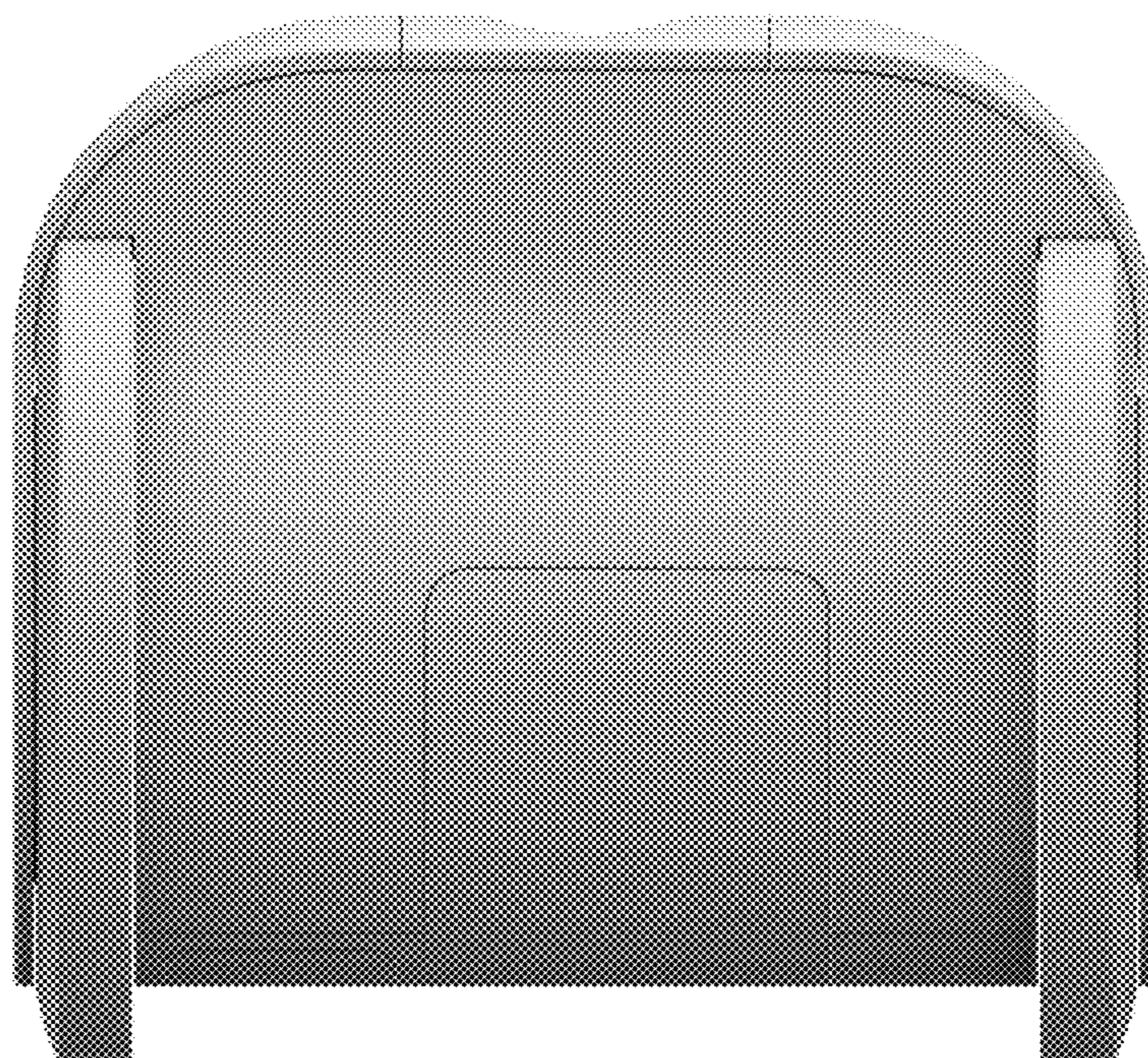




FIG. 7

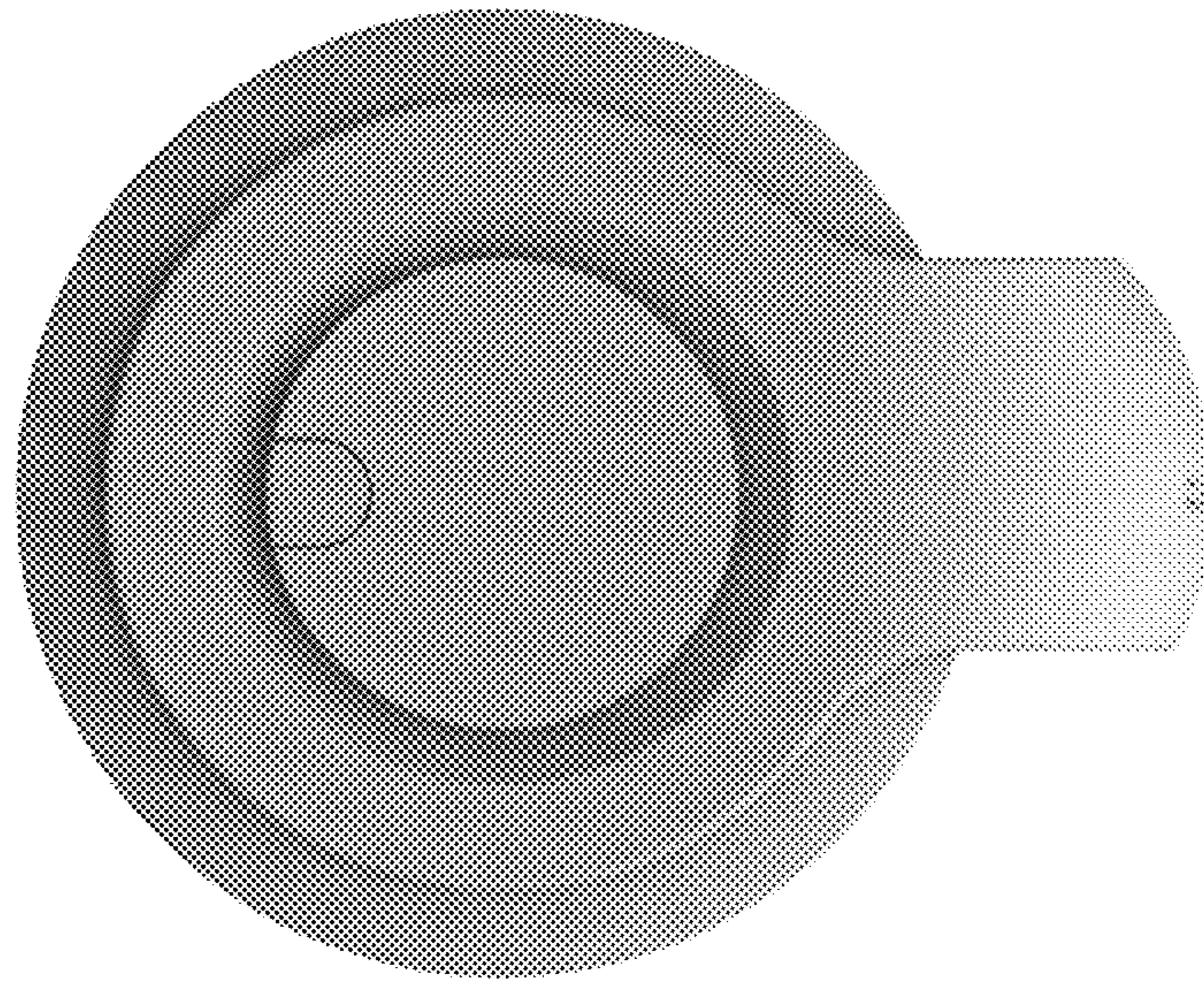


FIG. 8

