



US00D823560S

(12) **United States Design Patent** (10) **Patent No.:** **US D823,560 S**
Kim et al. (45) **Date of Patent:** **** Jul. 17, 2018**

(54) **DISHWASHER**
(71) Applicant: **Samsung Electronics Co., Ltd.**,
Suwon-si (KR)
(72) Inventors: **Jae-Jun Kim**, Seoul (KR); **Jae-Moon Lee**, Seoul (KR); **Hyeong-Ju Seo**, Seoul (KR); **Woo-Joo Choi**, Ahnyang-si (KR); **Jong-Su Jeon**, Seoungnam-si (KR); **Hwan-Woong Choi**, Seoul (KR)

D762,334 S * 7/2016 Kim D32/3
D764,853 S * 8/2016 Kim D7/339
D770,839 S * 11/2016 Shoemaker D7/348
D773,232 S * 12/2016 Shoemaker D7/339
D773,892 S * 12/2016 Miron D7/405
D777,502 S * 1/2017 Fuller D7/339
D781,635 S * 3/2017 Koszylko D7/348
D802,230 S * 11/2017 Shoemaker D32/2
2017/0261213 A1* 9/2017 Park F24C 15/008

(73) Assignee: **Samsung Electronics Co., Ltd.**,
Suwon-si (KR)

(**) Term: **15 Years**

(21) Appl. No.: **29/585,760**

(22) Filed: **Nov. 29, 2016**

(30) **Foreign Application Priority Data**

Jun. 17, 2016 (KR) 30-2016-0029527

(51) **LOC (11) Cl.** **15-05**

(52) **U.S. Cl.**
USPC **D32/2**

(58) **Field of Classification Search**
USPC D32/2, 1; D15/91; D7/405-406
CPC A47L 15/0076; A47L 15/0078; A47L 15/0081; F24C 15/008; G01J 1/44; A47J 37/0664; F21V 23/0464; F21V 33/0044; H04N 5/2257

See application file for complete search history.

(56) **References Cited**

U.S. PATENT DOCUMENTS

D539,994 S 4/2007 Pezzetta et al.
D554,972 S * 11/2007 Pezzetta D8/319

FOREIGN PATENT DOCUMENTS

EM 000094057-0007 2/2004
KR 30-2003-0014254 4/2004
KR 30-2008-0032944 6/2009
KR 30-2014-0025050 12/2014

* cited by examiner

Primary Examiner — Cynthia Ramirez

Assistant Examiner — Laura H Yu

(74) *Attorney, Agent, or Firm* — NSIP Law

(57) **CLAIM**

We claim the ornamental design for a dishwasher, as shown and described.

DESCRIPTION

FIG. 1 is a front perspective view of a dishwasher showing our new design;

FIG. 2 is a front view thereof;

FIG. 3 is a rear view thereof;

FIG. 4 is a left-side view thereof;

FIG. 5 is a right-side view thereof;

FIG. 6 is a top view thereof; and,

FIG. 7 is a bottom view thereof.

The broken lines in the figures depict portions of the dishwasher which form no part of the claimed design.

1 Claim, 7 Drawing Sheets

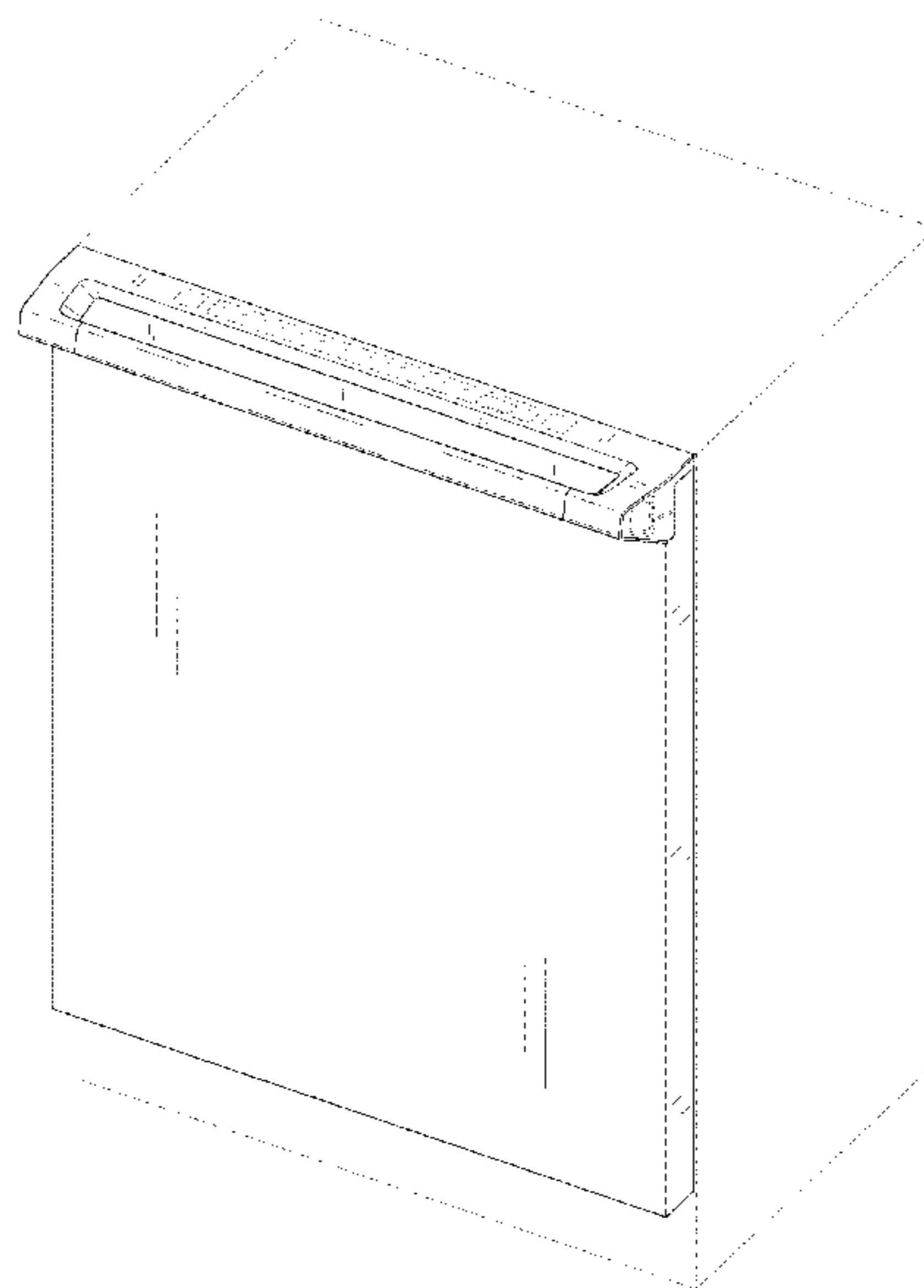


FIG. 1

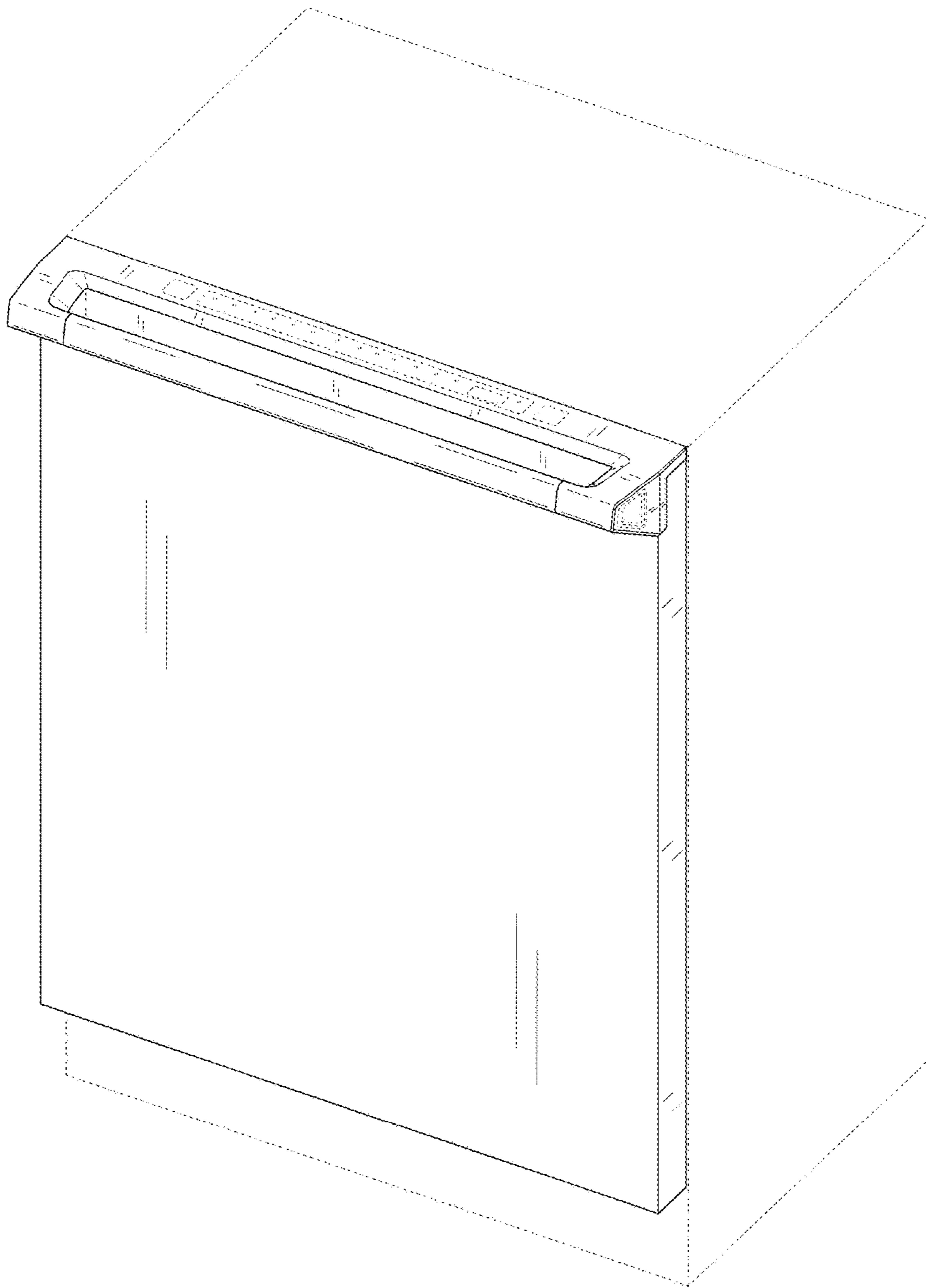


FIG. 2



FIG. 3

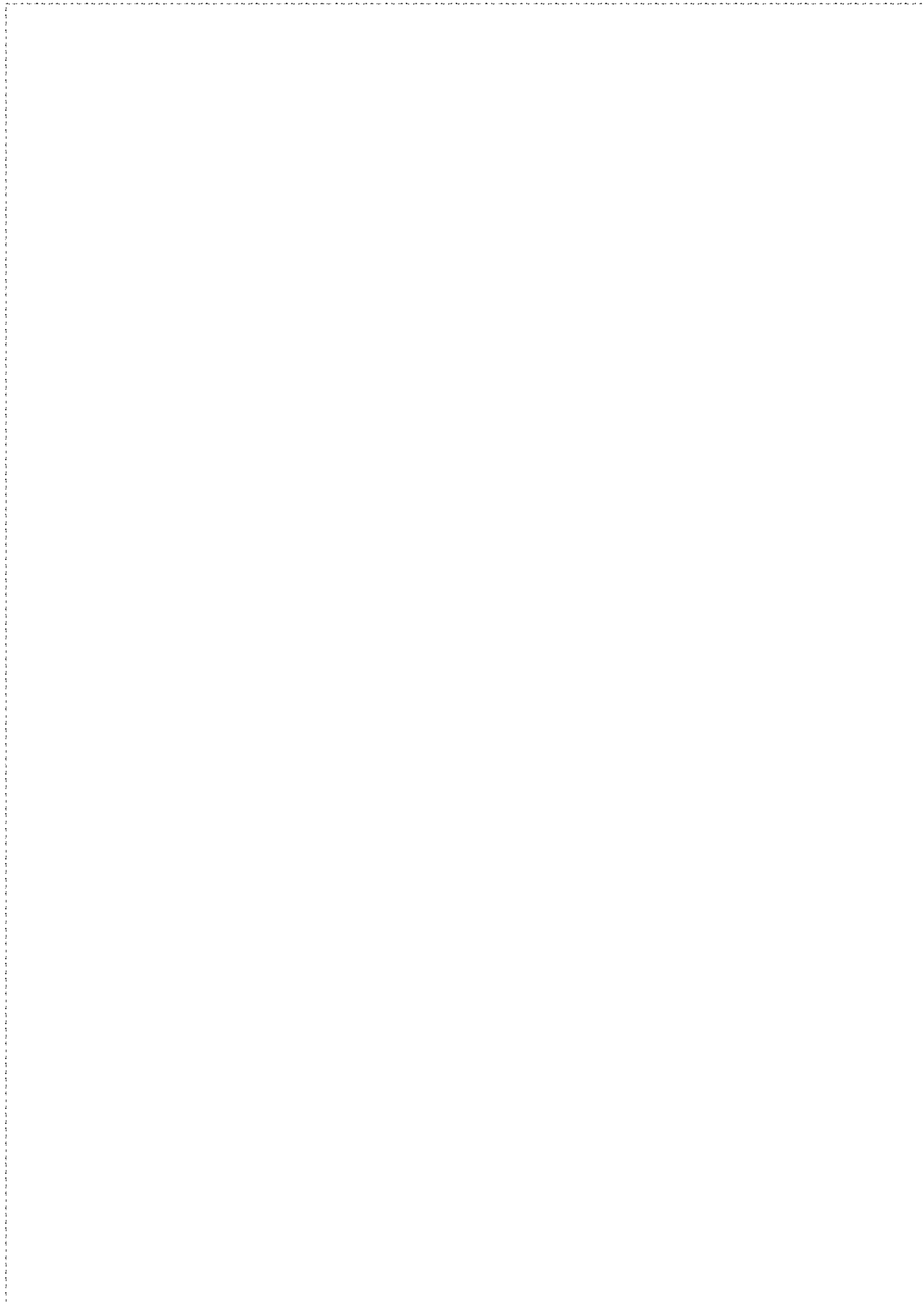


FIG. 4

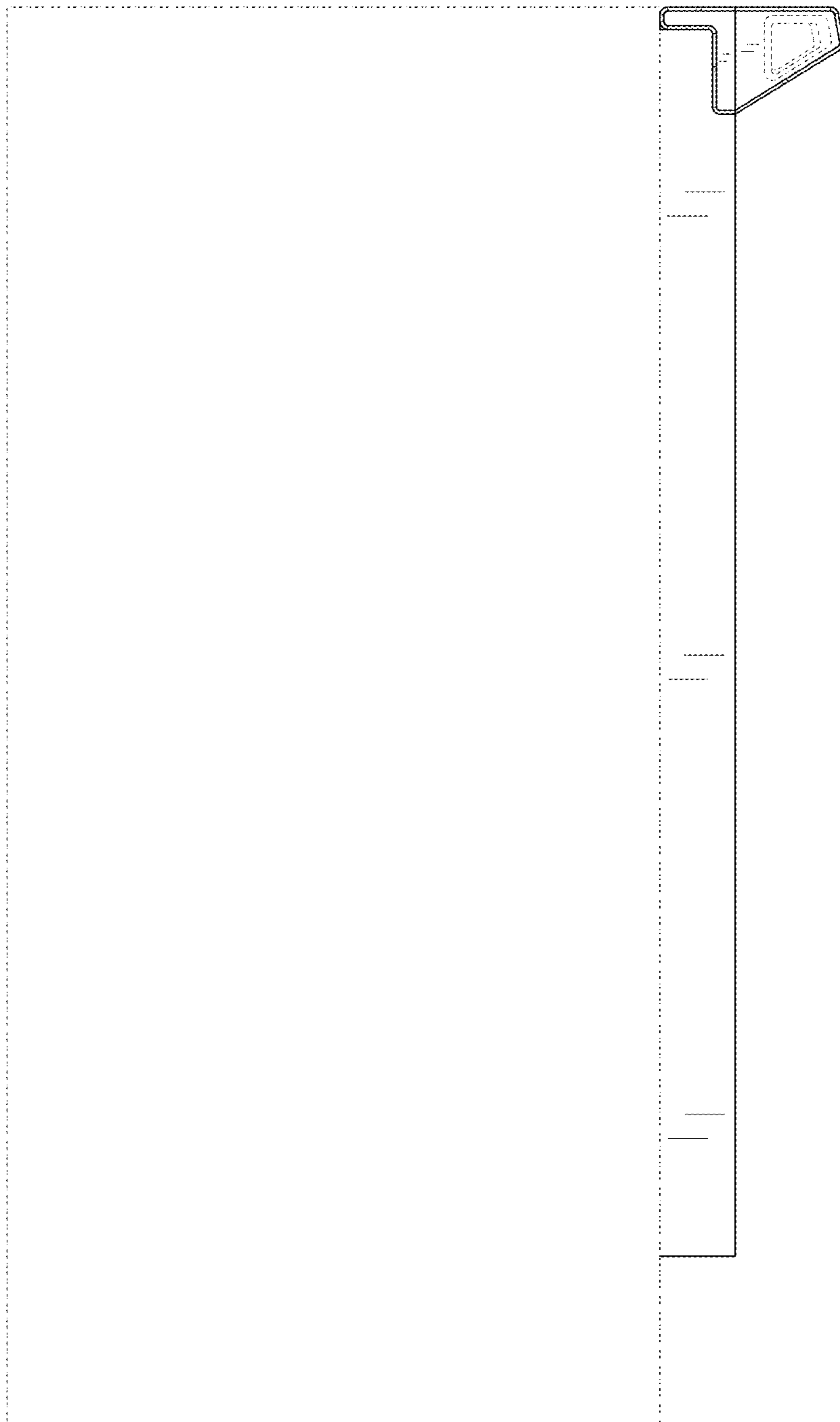


FIG. 5

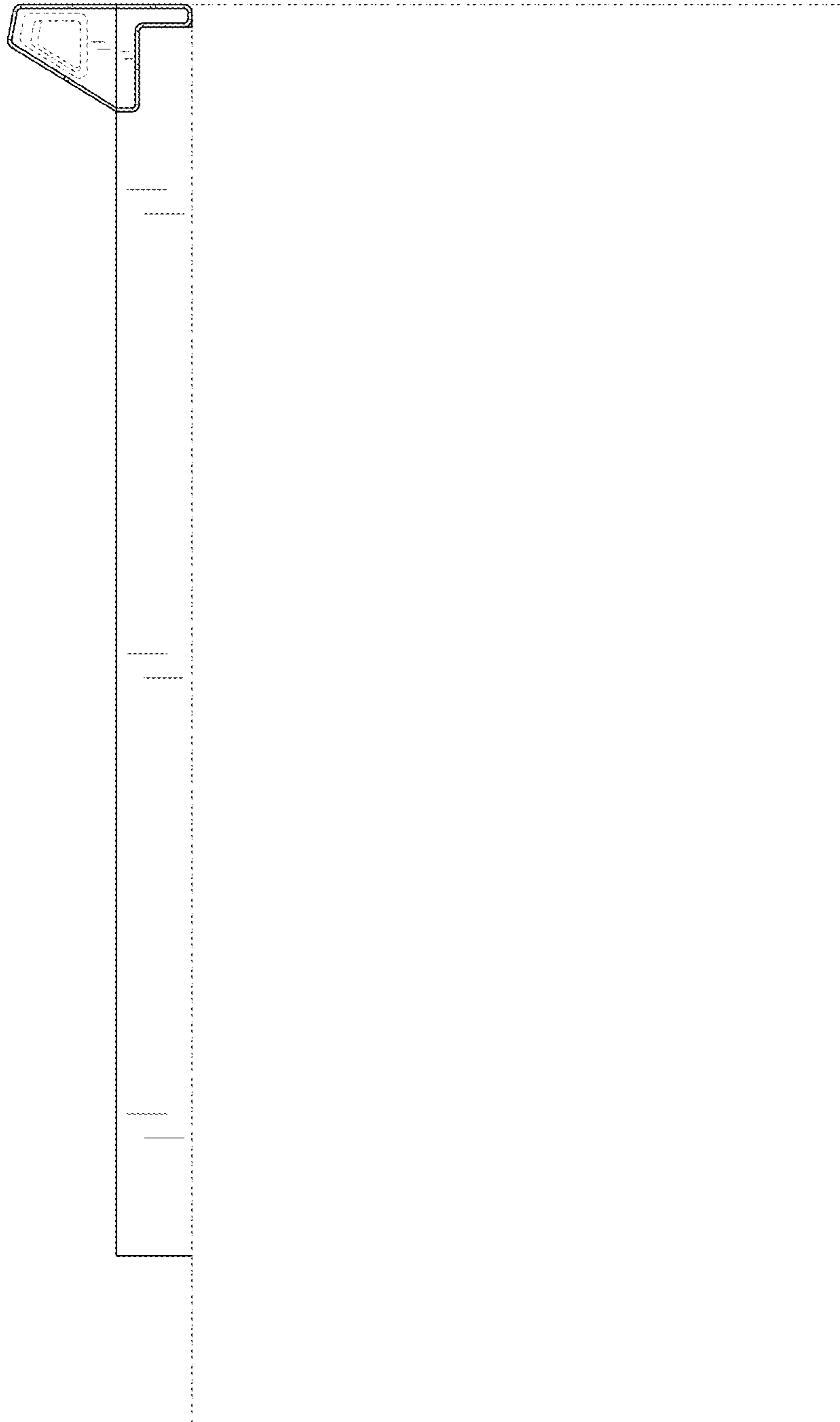


FIG. 6

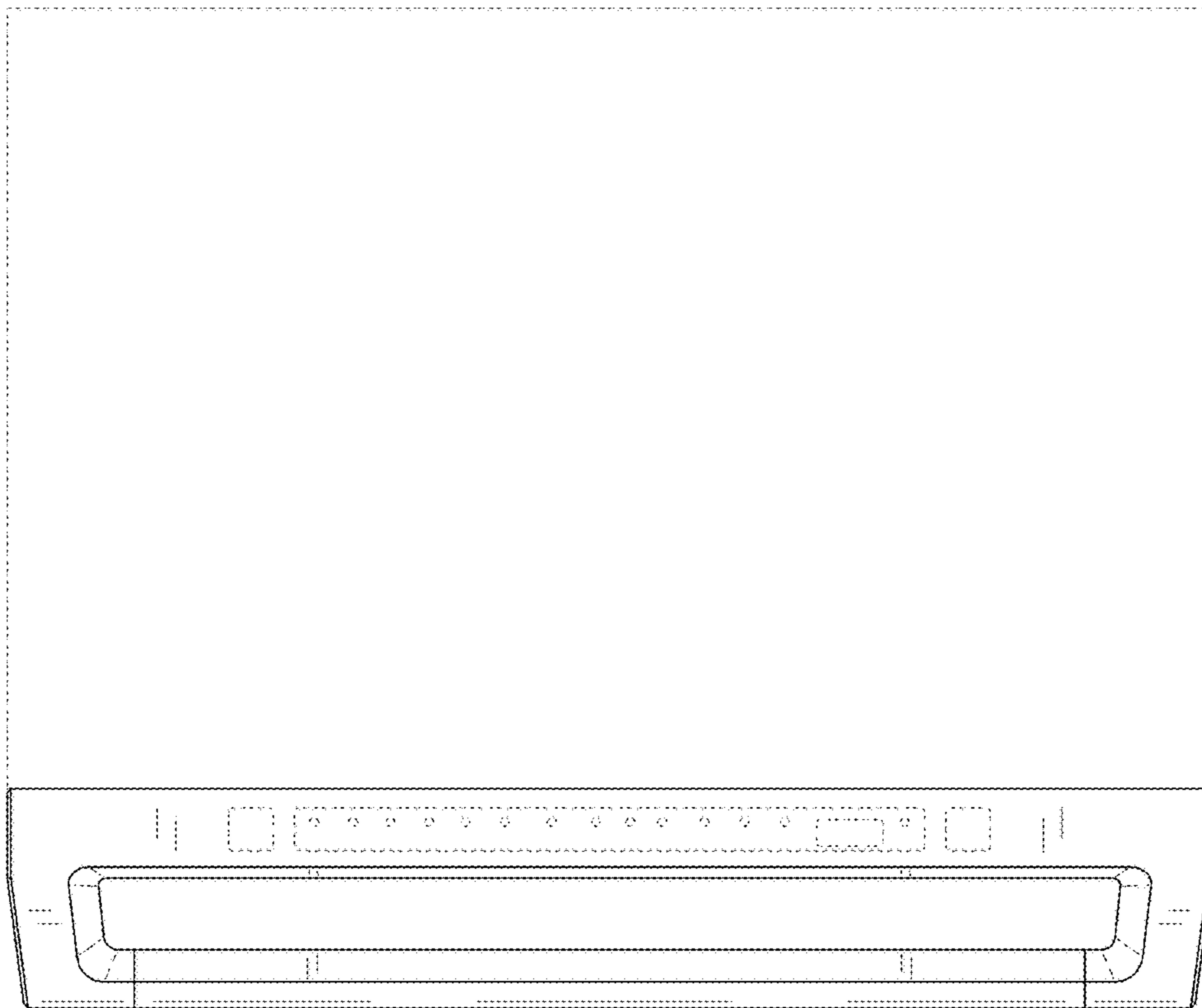


FIG. 7

