



US00D823559S

(12) **United States Design Patent** (10) **Patent No.:** **US D823,559 S**
Cox (45) **Date of Patent:** **** Jul. 17, 2018**

(54) **COMBINATION LEASH HANDLE AND ID TAG**

(71) Applicant: **Steven M Cox**, Livermore, CA (US)

(72) Inventor: **Steven M Cox**, Livermore, CA (US)

(**) Term: **15 Years**

(21) Appl. No.: **29/598,872**

(22) Filed: **Mar. 29, 2017**

(51) **LOC (11) Cl.** **30-04**

(52) **U.S. Cl.**
USPC **D30/153; D30/155**

(58) **Field of Classification Search**
USPC D30/144, 151, 152, 153, 154, 155, 199;
D21/682, 683, 684, 732, 777, 840;
D2/976; D3/215, 290, 299; 242/381.2
CPC A01K 27/003; A01K 27/004
See application file for complete search history.

(56) **References Cited**

U.S. PATENT DOCUMENTS

D422,757 S *	4/2000	Levine	D30/155
D442,714 S *	5/2001	Warden	D26/38
D484,650 S *	12/2003	Meath	119/794
D535,790 S *	1/2007	Curtis	D30/153
D617,059 S *	6/2010	Akrey	D30/154
D648,905 S *	11/2011	Maurer	D30/152
8,336,504 B1 *	12/2012	Geis	119/794
D675,013 S *	1/2013	Votel	D3/215
D685,958 S *	7/2013	Wolfson	D30/151
D707,898 S *	6/2014	Ma	D26/38
D714,000 S *	9/2014	Konovalov	D30/199
2006/0236955 A1 *	10/2006	Lord	A01K 27/004
				119/794
2016/0270373 A1 *	9/2016	Bova	A01K 27/004

OTHER PUBLICATIONS

“Ancol Simply Glamour Bone Id Tag”. Found online Jan. 5, 2018 at amazon.in. Page dated Dec. 3, 2012. Retrieved from https://www.

amazon.in/Ancol-Simply-Glamour-Bone-Tag/dp/B008DVV3R2/ref=sr_1_2?ie=UTF8&qid=1515184628&sr=8-2&keywords=pet+id+tag.*
“Petmate Translucent Palm Retractable Pet Leash”. Found online Jan. 5, 2018 at amazon.com. Page dated Jun. 3, 2014. Retrieved from https://www.amazon.com/Petmate-10075-Translucent-Retractable-Assorted/dp/B008J0NRE4.*
“Emergency Leash on Instagram”. Found online Dec. 12, 2017 at instagram.com. Page dated Dec. 26, 2016. Retrieved from https://www.instagram.com/p/BOfnA1ogXWI/?taken-by=emergencyleash.*
“Product Review: Leash Locket”. Found online Dec. 26, 2017 at twodogtales.com. Page dated Jan. 25, 2012. Retrieved from https://twodogtales.com/2012/01/25/product-review-leashlocket-retractable-dog-leash/*

* cited by examiner

Primary Examiner — George D Kirschbaum
Assistant Examiner — Kendra Leslie Hamilton
(74) *Attorney, Agent, or Firm* — Gerald R. Prettyman

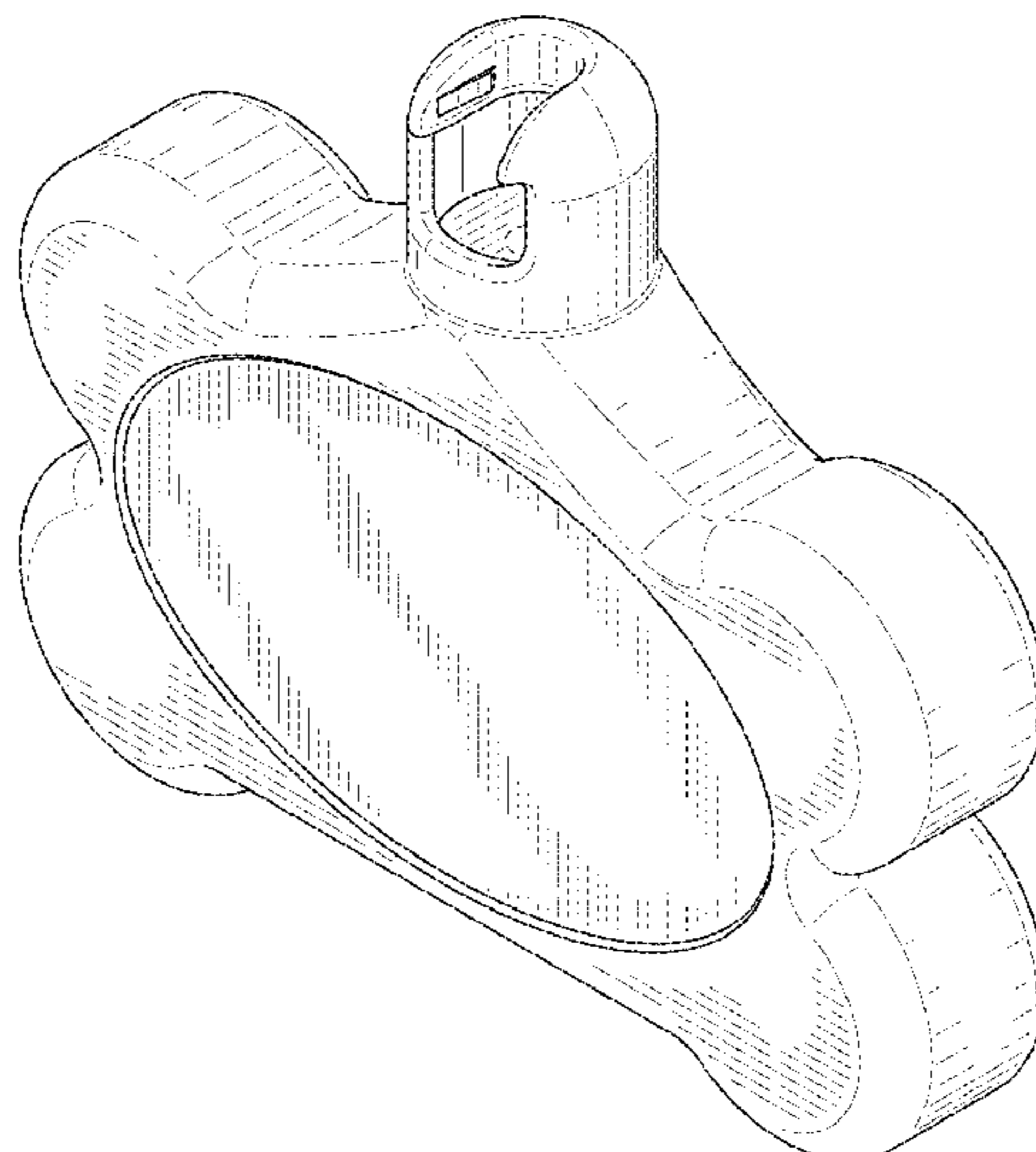
(57) **CLAIM**

I claim an ornamental design for a combination leash handle and ID tag, as shown.

DESCRIPTION

This application is related to U.S. application Ser. No. 29/601,480 titled Combination leash and ID Tag filed Apr. 22, 2017 and to U.S. application Ser. No. 29/598,877 titled Carabiner filed Mar. 29, 2017.
FIG. 1 is a perspective view of a combination leash handle and ID tag, showing my new design.
FIG. 2 is a front view thereof.
FIG. 3 is a back view thereof.
FIG. 4 is a top view thereof.
FIG. 5 is a bottom view thereof; and,
FIG. 6 is a left side view thereof, the right side view being a mirror image thereof.
Broken lines are included to show unclaimed subject matter only and form no part of the claimed design.

1 Claim, 4 Drawing Sheets



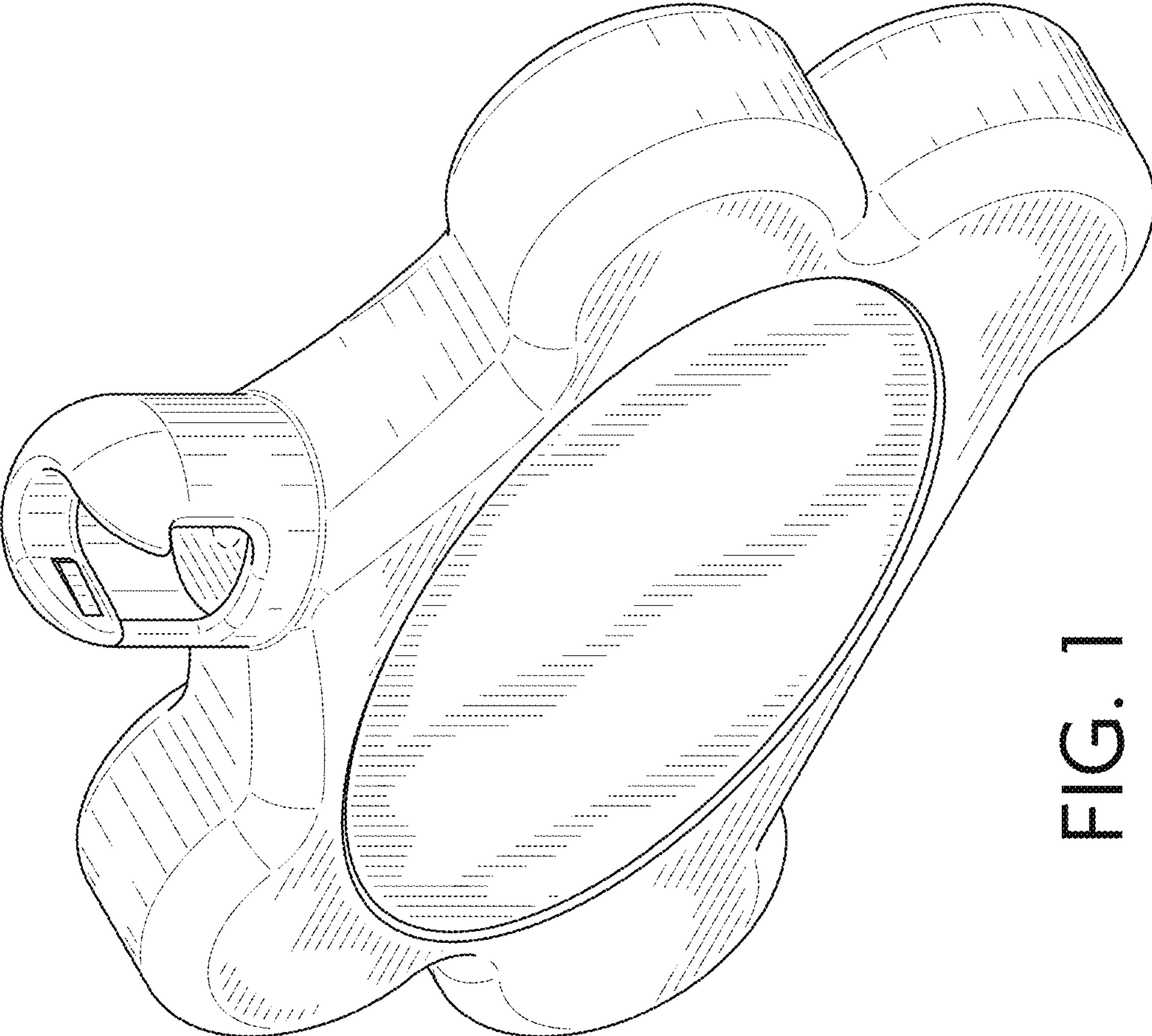


FIG. 1

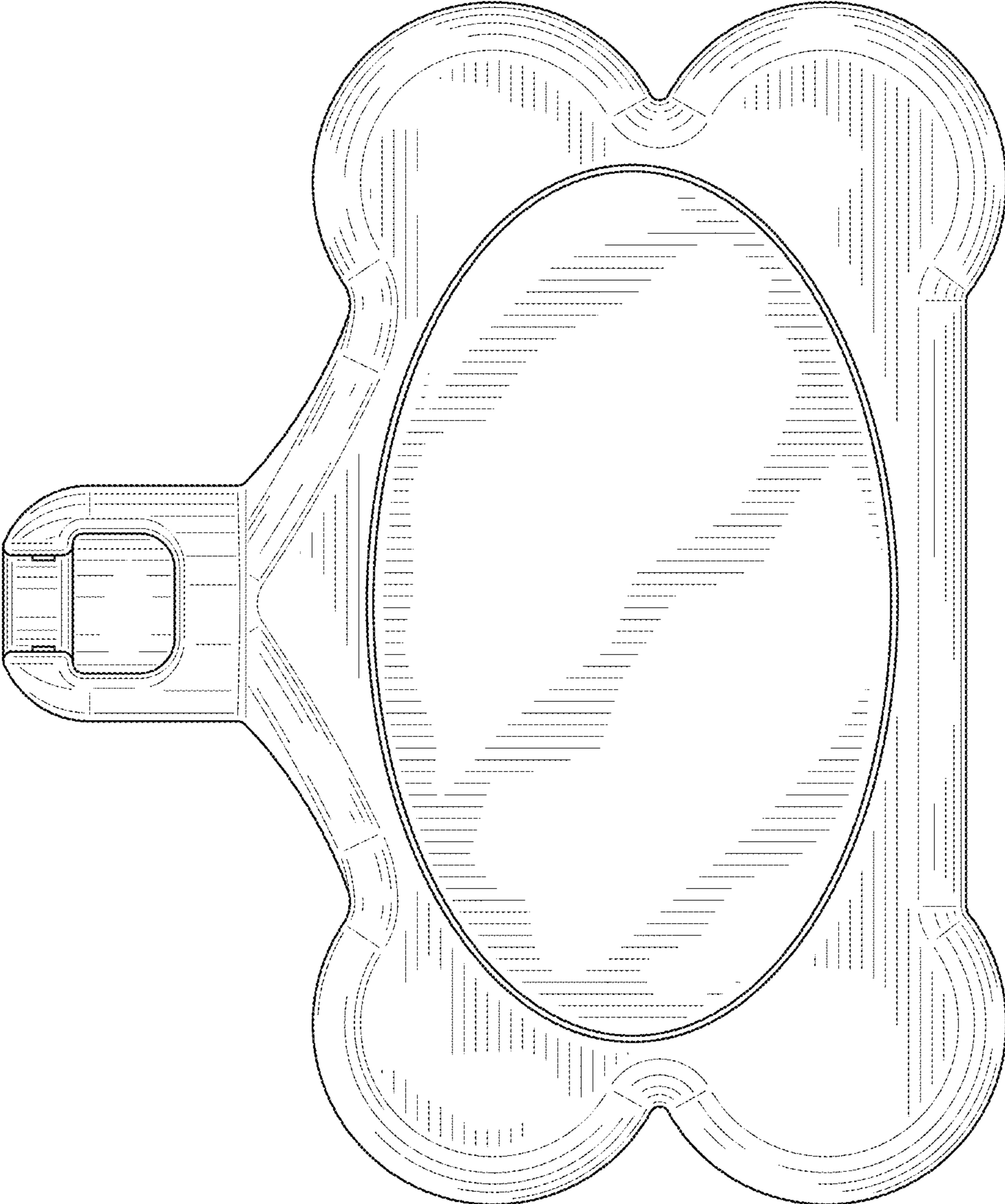


FIG. 2

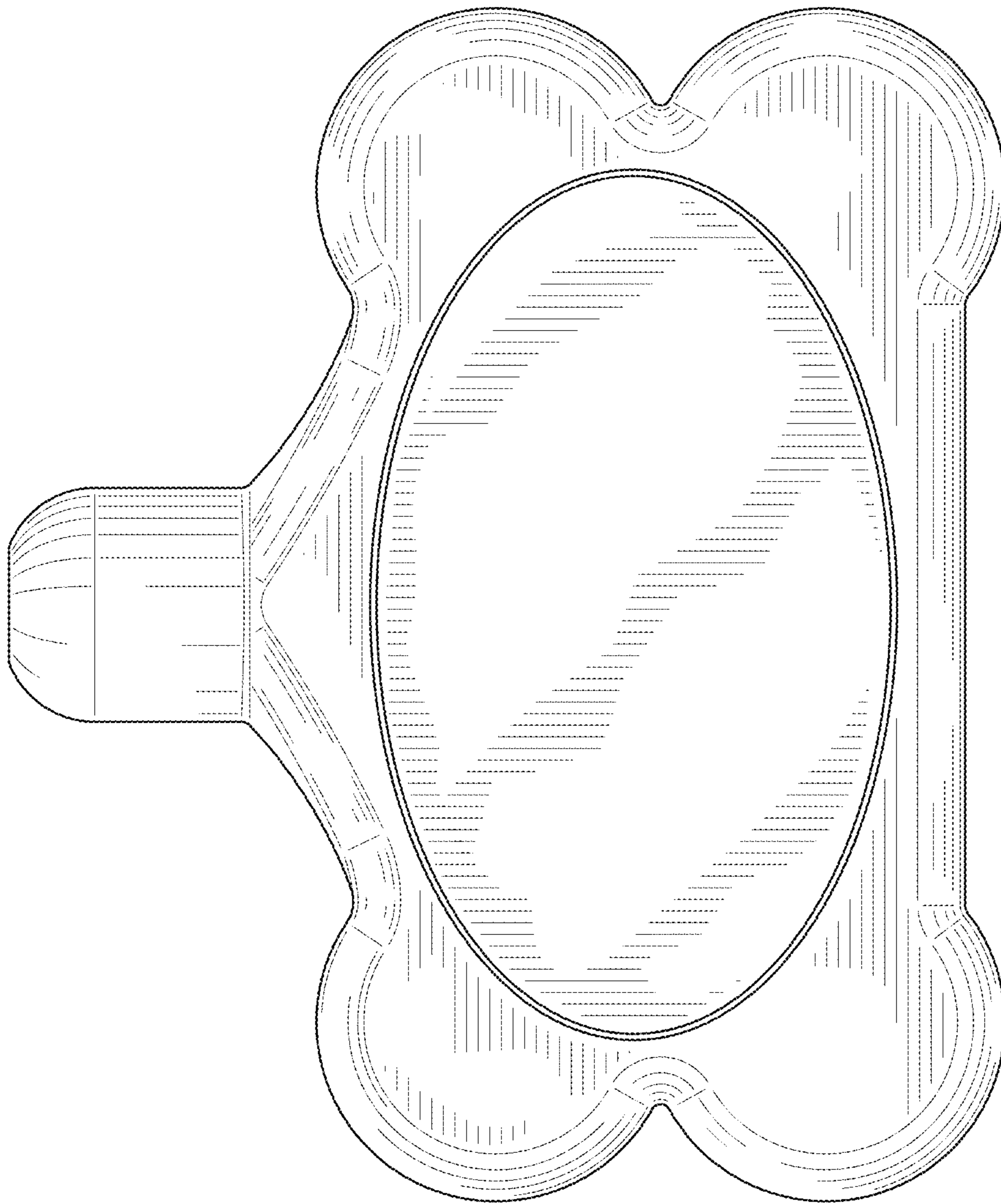


FIG. 3

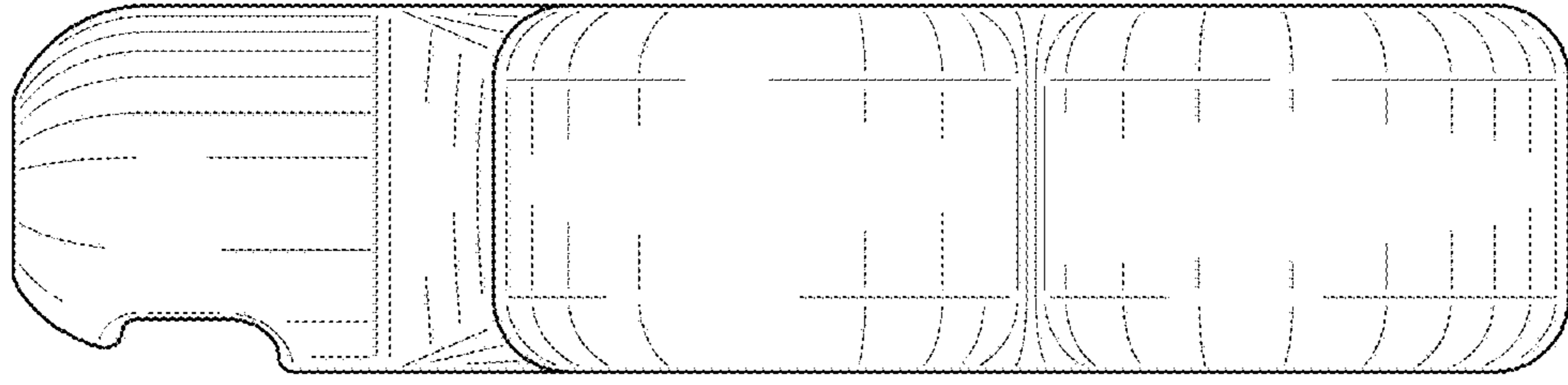


FIG. 6

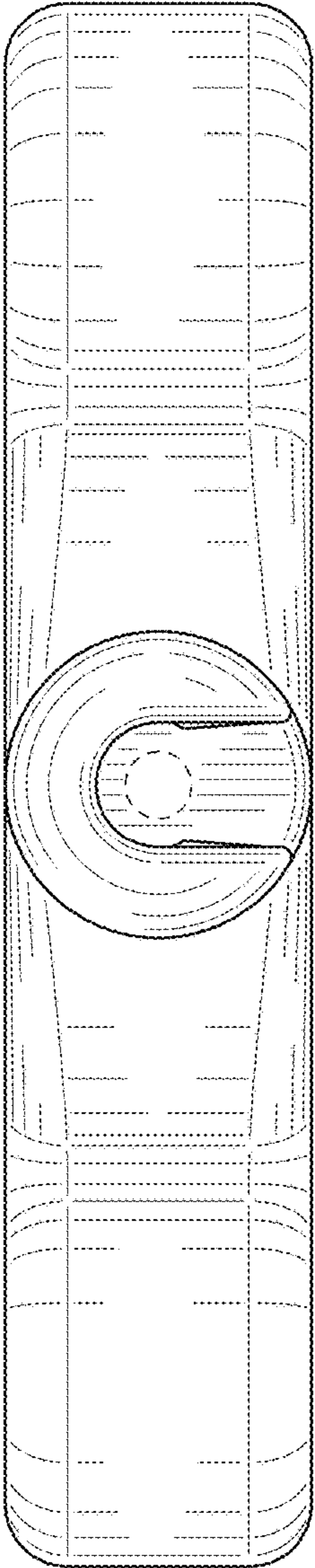


FIG. 4

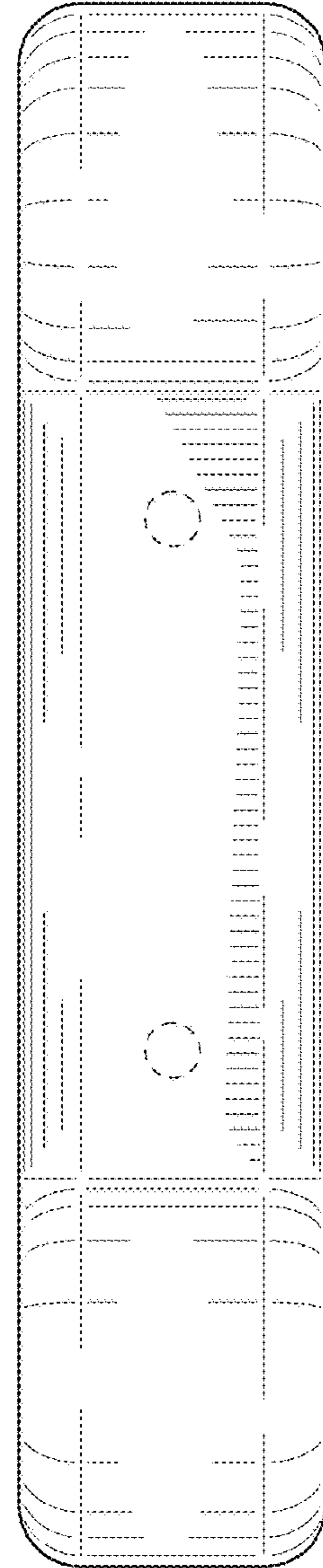


FIG. 5