



US00D823555S

(12) **United States Design Patent**
Geiser

(10) **Patent No.:** **US D823,555 S**

(45) **Date of Patent:** **** Jul. 17, 2018**

- (54) **HORSE SHOE**
- (71) Applicant: **King Geiser**, Perris, CA (US)
- (72) Inventor: **King Geiser**, Perris, CA (US)
- (**) Term: **15 Years**

- 513,662 A * 1/1894 Welch A01L 1/04
168/13
- 518,206 A * 4/1894 Carlisle A01L 1/00
168/25
- 526,034 A * 9/1894 Hague A01L 1/04
168/7

(Continued)

- (21) Appl. No.: **29/570,821**
- (22) Filed: **Jul. 12, 2016**
- (51) **LOC (11) Cl.** **30-01**
- (52) **U.S. Cl.**
USPC **D30/148**; D30/147
- (58) **Field of Classification Search**
USPC D30/119, 108, 114, 116, 120, 136, 137,
D30/138, 144, 145, 151, 152, 199, 146,
D30/147, 148, 150; D2/627, 896, 897,
D2/902, 909, 919, 943, 980; D3/215,
D3/327; D29/101.1, 101.3, 101.5;
D24/190, 192; D21/387; 119/174, 798,
119/814, 850, 856, 863, 865, 853;
36/58.5, 111, 122, 140; 602/3, 5, 6, 65;
168/1, 4, 6, 10, 12, 14, 17, 18, 26, 29,
168/28; 473/591
CPC A01K 25/00; A01K 13/006; A01K 13/007;
A01K 13/008; A01K 15/04; A01K 47/00;
A01K 47/02; A01K 47/04; A01K 47/06;
A01L 1/00; A01L 1/02; A01L 1/04; A01L
3/00; A01L 3/02; A01L 3/04; A01L 3/06;
A01L 5/00; A01L 7/00; A01L 7/02; A01L
7/04; A01L 7/06; A01L 7/08; A01L 9/00;
A01L 15/00

See application file for complete search history.

(56) **References Cited**

U.S. PATENT DOCUMENTS

- 84,462 A * 11/1868 Whitmore A01L 1/02
168/24
- 100,768 A * 3/1870 Ingraham A01L 1/02
168/24
- 170,911 A * 12/1875 Smith A01L 1/02
168/24

OTHER PUBLICATIONS

Hot sale high quality cast iron horseshoe, publication date unavail-
able [online], [retrieved May 7, 2018], Available from Internet,
URL: <https://www.alibaba.com/product-detail/hot-sale-high-quality-cast-iron_60283115012.html?spm=a2700.7724857.main07.83.54423c5b6SE54t>.*

(Continued)

Primary Examiner — Barbara G Fox
Assistant Examiner — Mary C Ramirez
(74) *Attorney, Agent, or Firm* — Kirk A. Buhler; Buhler
& Associates

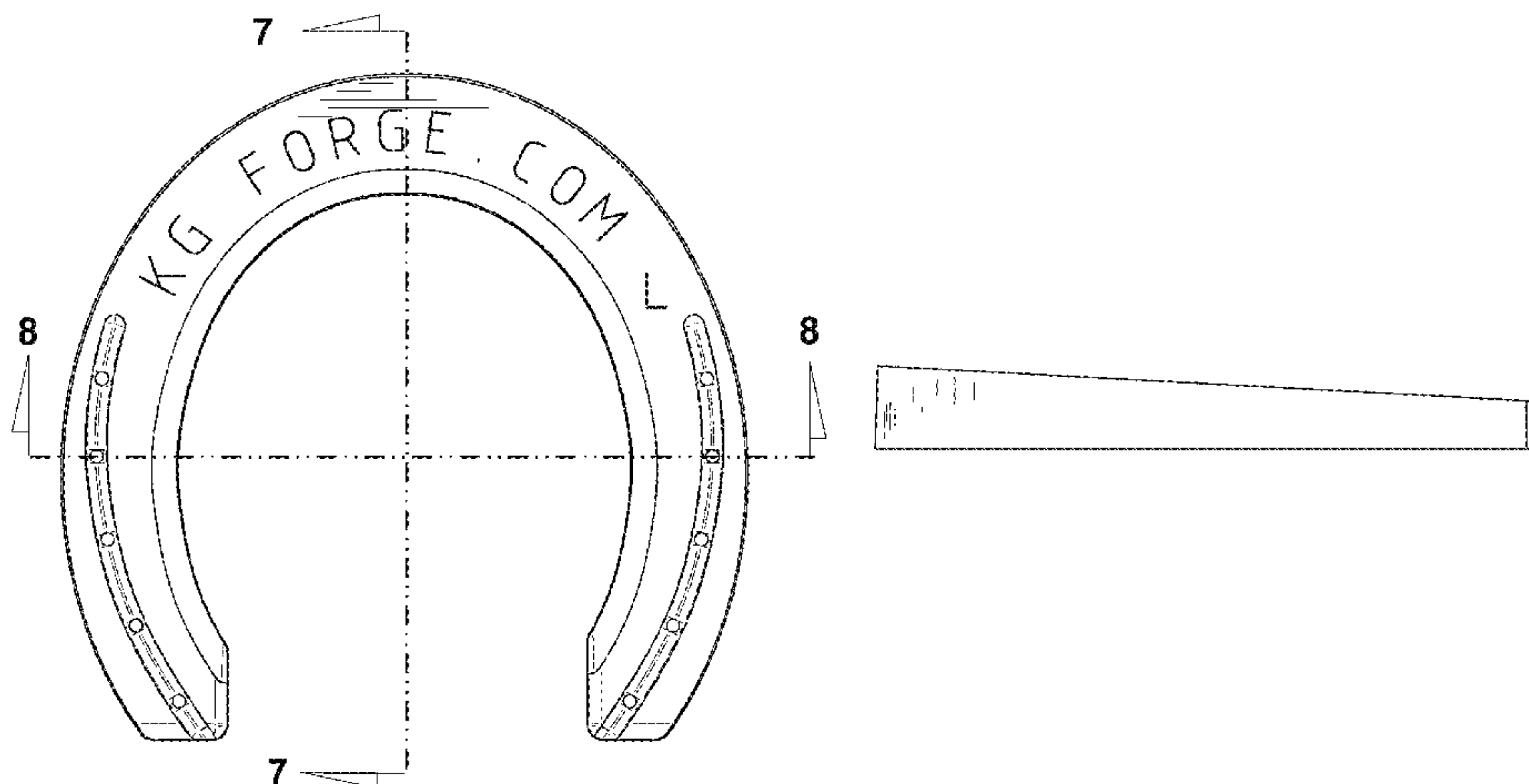
(57) **CLAIM**

The ornamental design for a horse shoe, as shown and
described.

DESCRIPTION

FIG. 1 is a top, front, right perspective view of a horse shoe
showing my new design;
FIG. 2 is a front view thereof;
FIG. 3 is a bottom view thereof;
FIG. 4 is a rear view thereof;
FIG. 5 is a top view thereof;
FIG. 6 is a left side view thereof, the right side being a mirror
image thereof;
FIG. 7 is a cross-sectional view taken along lines 7-7 in FIG.
5;
FIG. 8 is a cross-sectional view taken along lines 8-8 in FIG.
5; and,
FIG. 9 is a rear, bottom, right perspective view.

1 Claim, 5 Drawing Sheets



(56)

References Cited

U.S. PATENT DOCUMENTS

537,466 A * 4/1895 Loroche A01L 1/04
168/11
556,653 A * 3/1896 Willoughby A01L 1/02
168/24
570,278 A * 10/1896 Dellinger A01L 1/02
168/24
644,284 A * 2/1900 De Lay A01L 1/04
168/13
821,414 A * 5/1906 Hennebeul A01L 7/04
168/31
2,084,812 A * 6/1937 Langlois A01L 1/02
168/24
2,096,504 A * 10/1937 Anderson A01L 1/04
168/13
2,101,070 A * 12/1937 Kelley A01L 1/04
168/4
2,705,536 A * 4/1955 Phreaner A01L 1/04
168/14
2,758,655 A * 8/1956 Crump A01L 1/04
168/13
3,180,421 A * 4/1965 Hirshberg A01L 1/04
168/12
3,288,223 A * 11/1966 Ferguson A01L 1/04
168/12
3,340,933 A * 9/1967 McGraw A01L 1/02
168/24
3,738,427 A * 6/1973 Fryrear, Jr. A01L 1/00
168/10
3,907,036 A * 9/1975 Capone A01L 1/04
168/26
4,299,288 A * 11/1981 Peacock A01L 7/04
168/23
D292,333 S 10/1987 Cameron
4,881,600 A * 11/1989 Nebel A01L 3/00
168/11
6,059,043 A * 5/2000 Saurini A01L 1/00
168/4
6,378,615 B1 * 4/2002 Gonsalves A01L 5/00
168/13

6,454,016 B1 * 9/2002 Julien A01L 1/02
168/4
D483,530 S 12/2003 Bruns
6,915,859 B2 7/2005 Craig et al.
7,377,329 B2 * 5/2008 Coloumbe A01L 1/02
168/24
D726,973 S 4/2015 Ford
D776,369 S * 1/2017 Whitman D30/148
2004/0031616 A1 * 2/2004 Moller A01L 1/04
168/12
2007/0205003 A1 * 9/2007 Coulombe A01L 1/00
168/23
2007/0261864 A1 * 11/2007 Gonslaves A01L 5/00
168/12
2010/0276163 A1 * 11/2010 Berghorn A01L 1/04
168/4
2012/0267124 A1 * 10/2012 Kennedy A01L 1/04
168/12
2013/0105180 A1 * 5/2013 Valer Fuentes A01L 1/00
168/4
2017/0127661 A1 * 5/2017 Sledd A01L 1/04
2017/0202198 A1 * 7/2017 Smith A01L 1/02

OTHER PUBLICATIONS

NL 1309 aluminum horseshoe, publication date unavailable [online], [retrieved May 7, 2018], Available from Internet, URL: <https://www.alibaba.com/product-detail/NL1309-aluminum-horseshoe_1820096823.html?spm=a2700.7724857.main07.179.54423c5b6SE54t>.*
Horseshoes EUR 04-07, publication date unavailable [online], [retrieved May 7, 2018], Available from Internet, URL: <https://www.alibaba.com/product-detail/Horseshoes_10158374.html?spm=a2700.7724857.main07.262.73ff3c5bNZjWyF>.*
All Kind Of Concave Horseshoe, publication date unavailable [online], [retrieved May 7, 2018], Available from Internet, URL: <https://www.alibaba.com/product-detail/All-Kind-Of-Concave-Horseshoes_11478580.html?spm=a2700.7724857.main07.274.73ff3c5bNZjWyF>.*

* cited by examiner

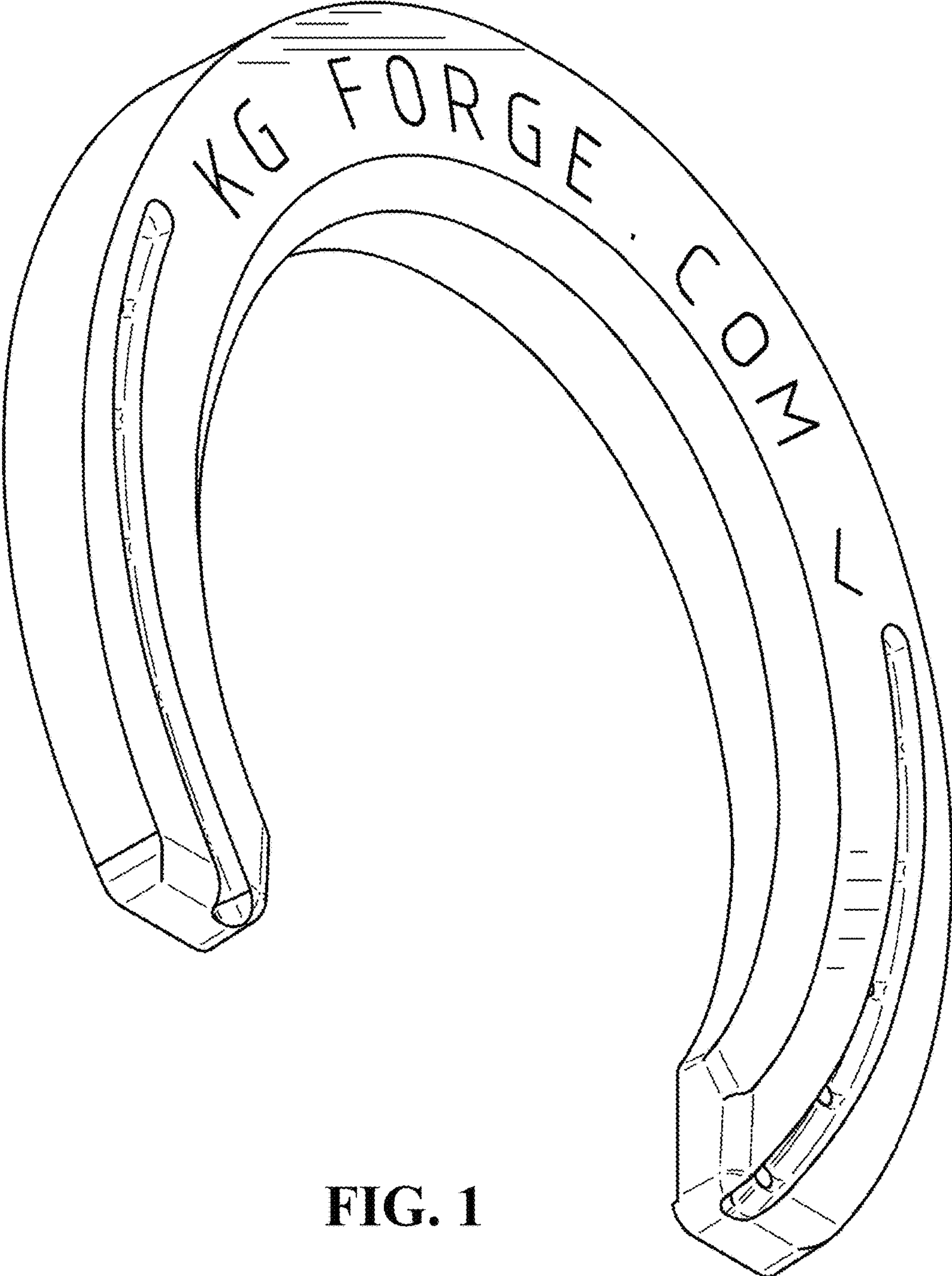


FIG. 1



FIG. 2

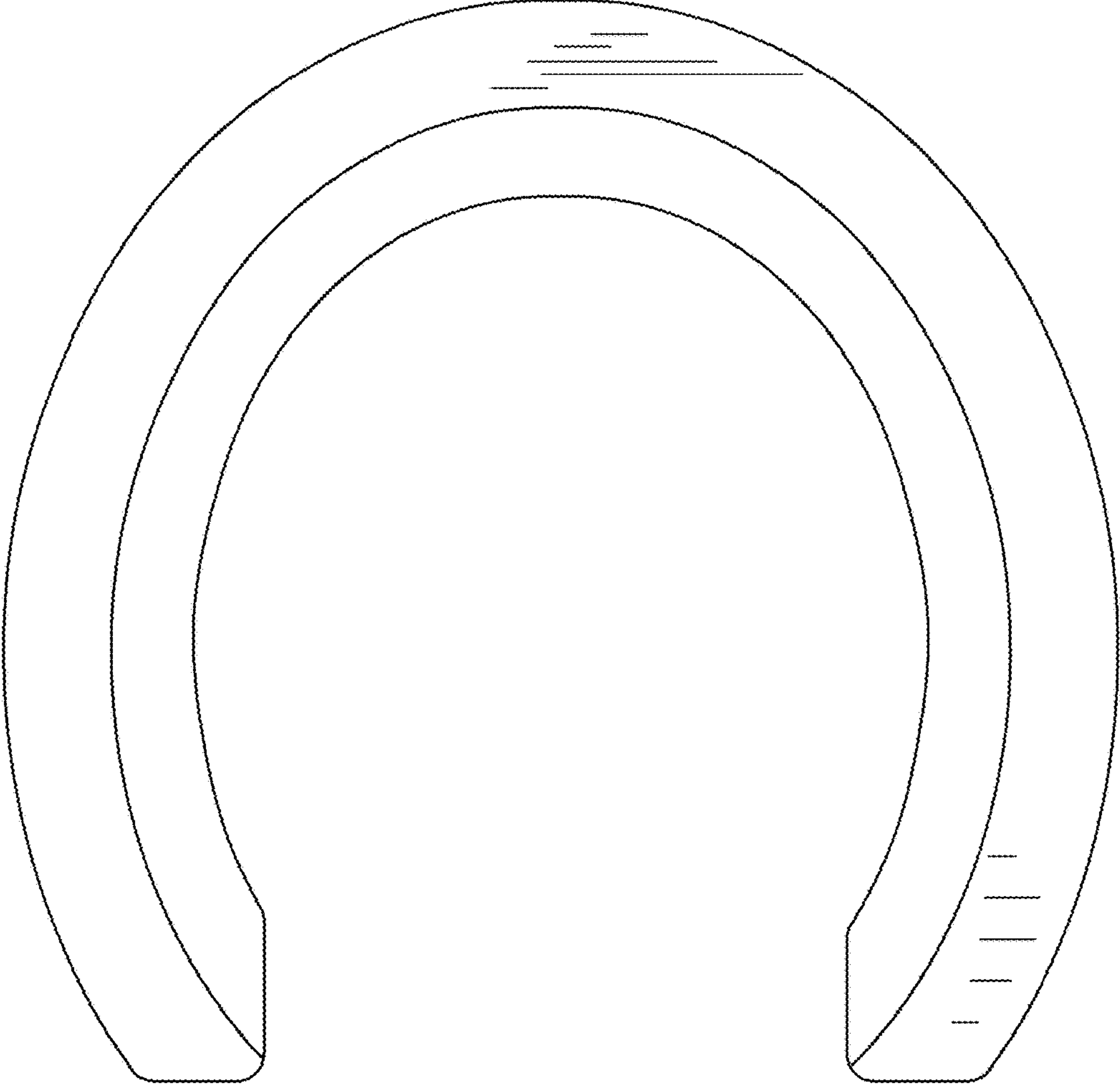


FIG. 3

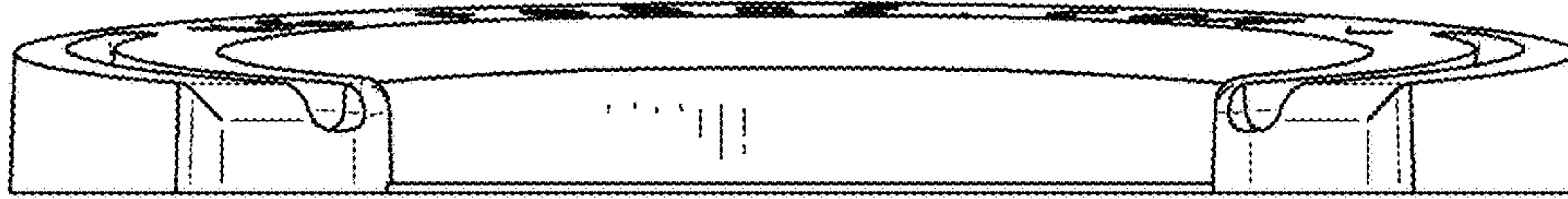


FIG. 4

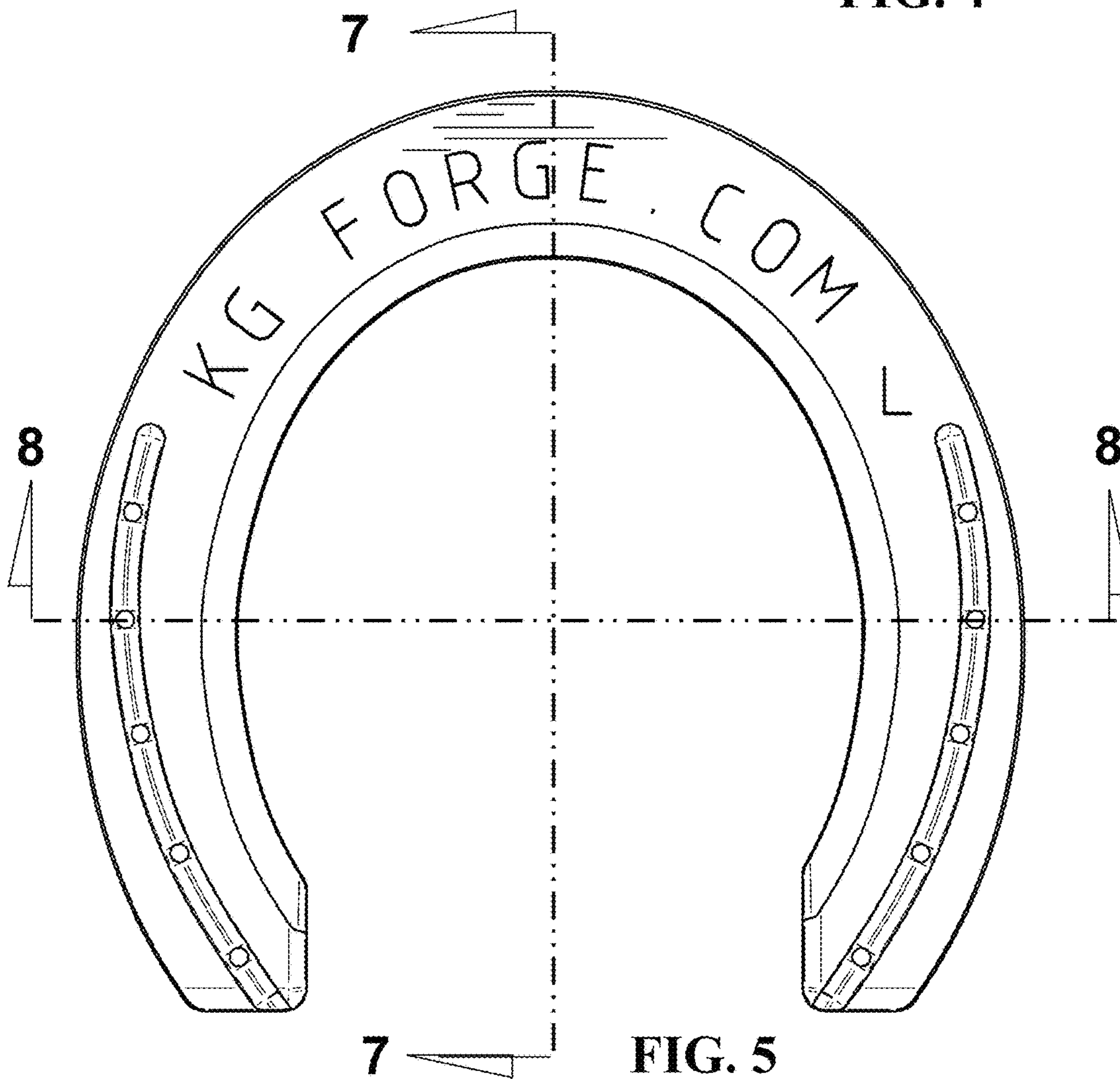


FIG. 5

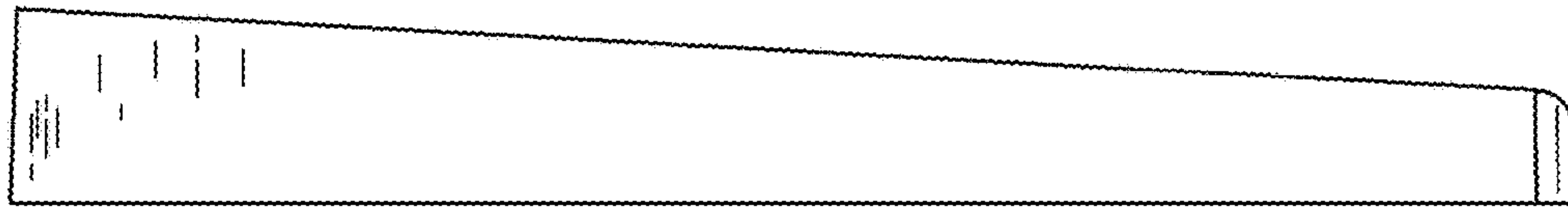


FIG. 6

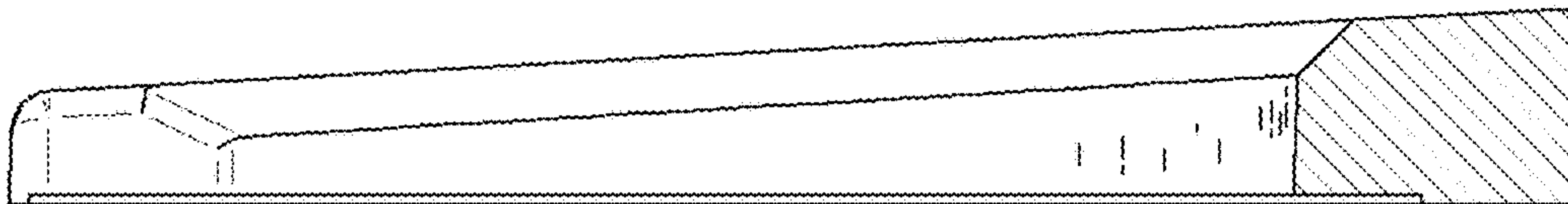


FIG. 7

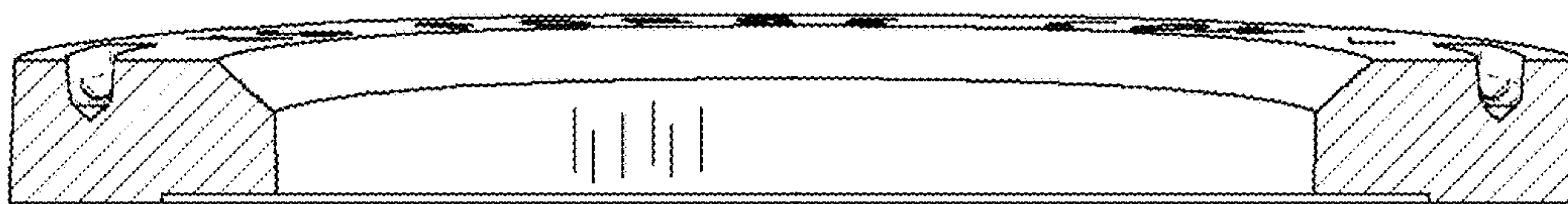


FIG. 8

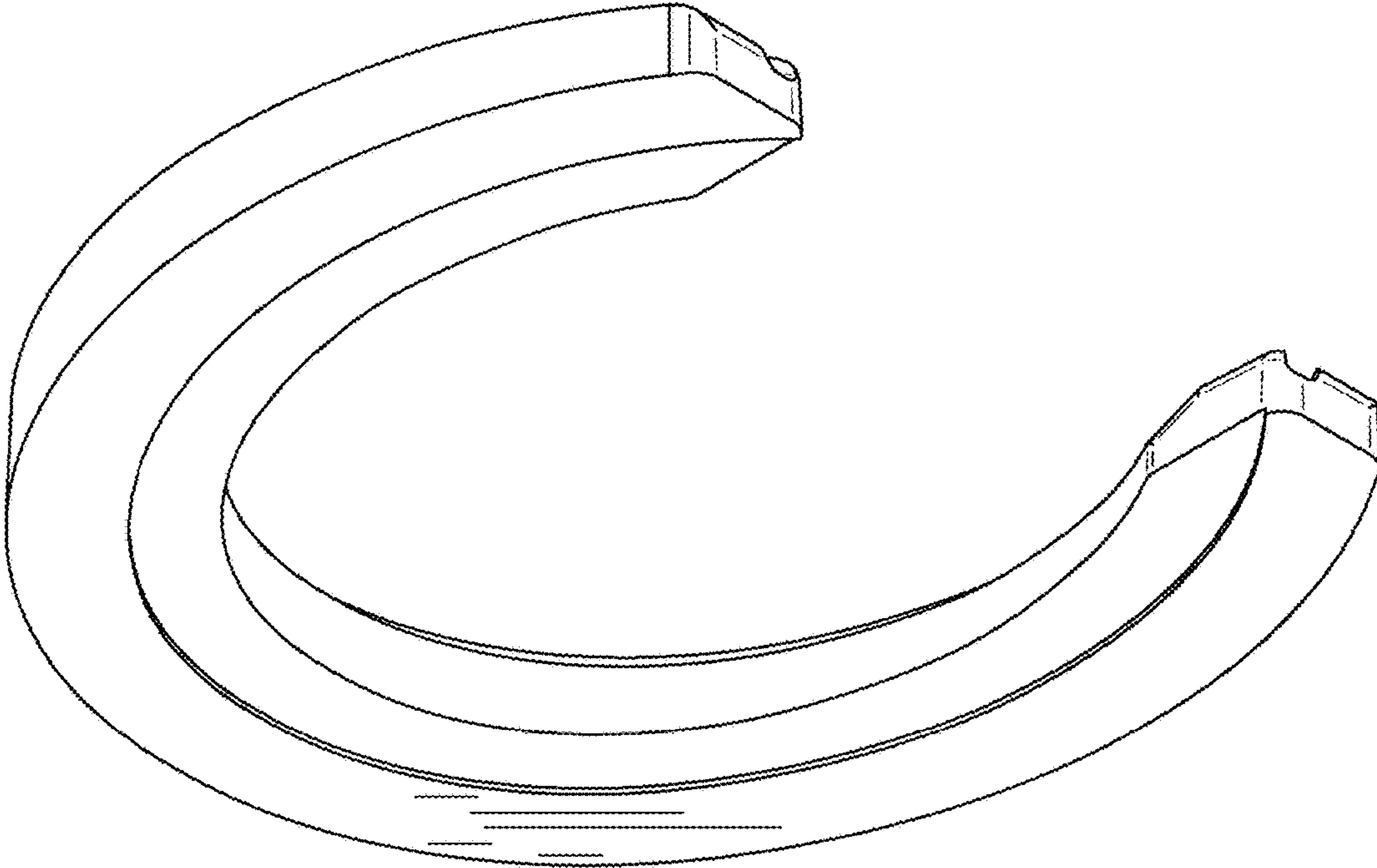


FIG. 9