



US00D823551S

(12) **United States Design Patent**
Vu et al.

(10) **Patent No.:** **US D823,551 S**
(45) **Date of Patent:** **** Jul. 17, 2018**

- (54) **PIANO-SHAPED ANIMAL TANK**
- (71) Applicants: **Elise Quynh-Anh Vu**, San Diego, CA (US); **Emily Lan-Anh Vu**, San Diego, CA (US)
- (72) Inventors: **Elise Quynh-Anh Vu**, San Diego, CA (US); **Emily Lan-Anh Vu**, San Diego, CA (US)
- (**) Term: **15 Years**
- (21) Appl. No.: **29/602,938**
- (22) Filed: **May 5, 2017**
- (51) **LOC (11) Cl.** **30-02**
- (52) **U.S. Cl.**
USPC **D30/102; D17/8**
- (58) **Field of Classification Search**
USPC D30/101-106; D11/145; D17/7-8; D21/409
CPC A01K 63/00; A01K 63/003; A01K 63/02; G10C 1/02; G10C 1/04; G10F 1/02
See application file for complete search history.

- D316,917 S * 5/1991 Oldham D30/101
- D382,006 S * 8/1997 Nakajima D17/8
- D426,033 S * 5/2000 Rooks D30/104
- D493,501 S * 7/2004 Carattini D30/102
- D718,809 S * 12/2014 Omachi D17/8

* cited by examiner

Primary Examiner — Wan Laymon
(74) *Attorney, Agent, or Firm* — Alonzo & Associates; Arlyn Alonzo

(57) **CLAIM**

The ornamental design for a piano-shaped animal tank, as shown and described.

DESCRIPTION

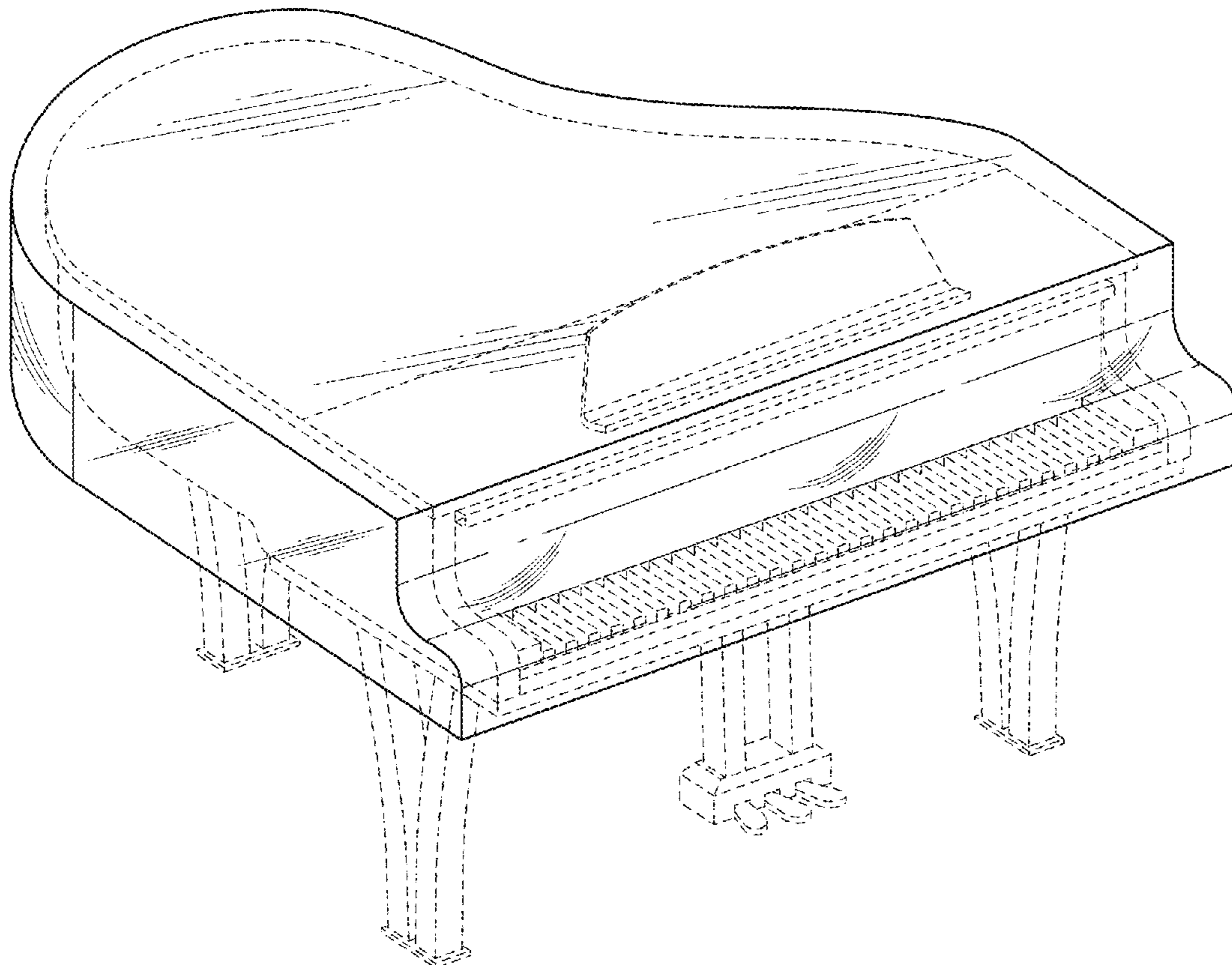
FIG. 1 is a perspective view of piano-shaped animal tank showing our new design attached to a piano.
FIG. 2 is a front view thereof.
FIG. 3 is a rear view thereof.
FIG. 4 is a left side view thereof.
FIG. 5 is a right side view thereof.
FIG. 6 is a top view thereof; and,
FIG. 7 is a bottom view thereof.
In the drawings, the broken line showing of a piano-shaped animal tank depicts unclaimed environmental subject matter.

(56) **References Cited**

U.S. PATENT DOCUMENTS

- D218,047 S * 7/1970 Schwoch et al. D30/104
- D253,555 S * 11/1979 Browne D30/105

1 Claim, 5 Drawing Sheets



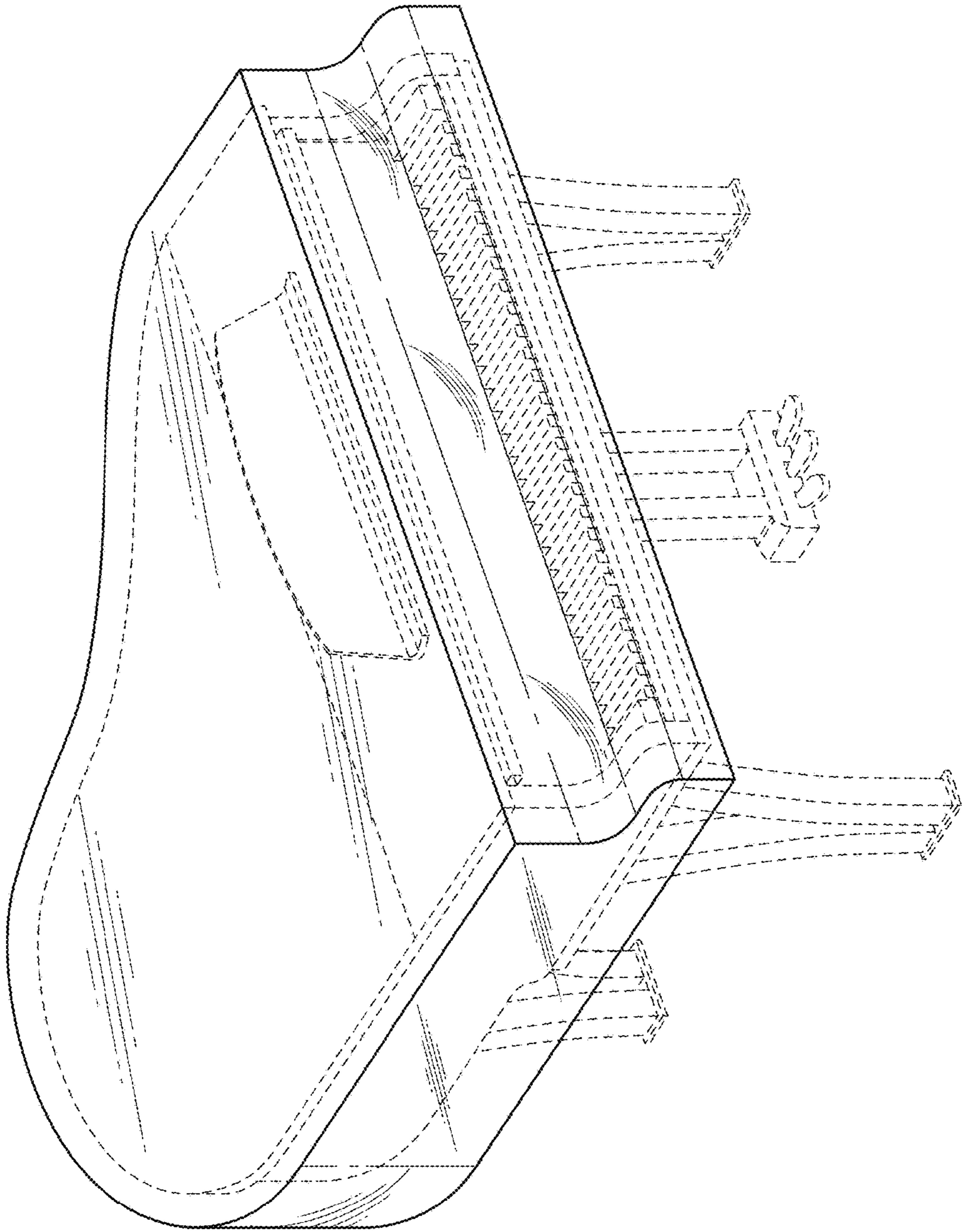


FIG. 1

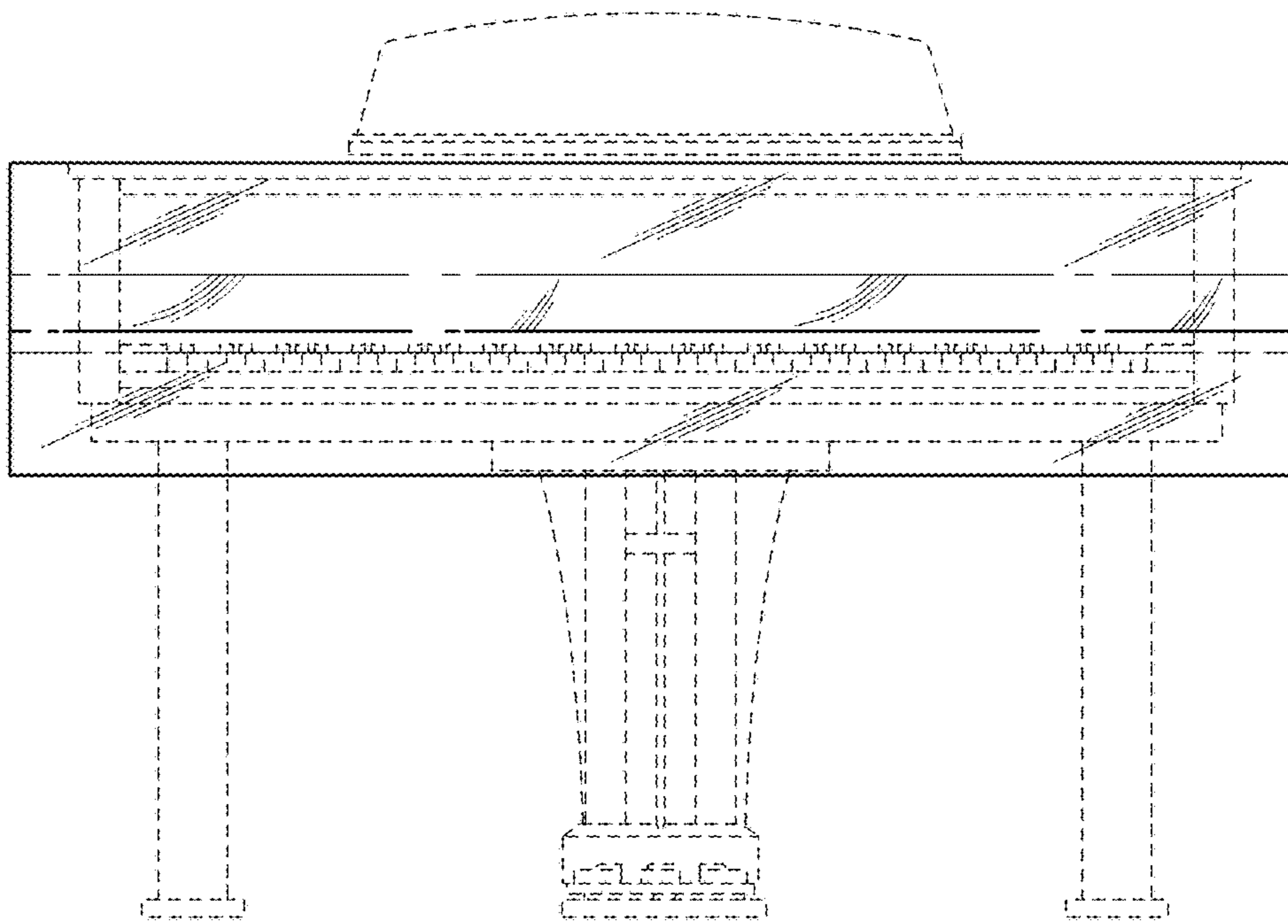


FIG. 2

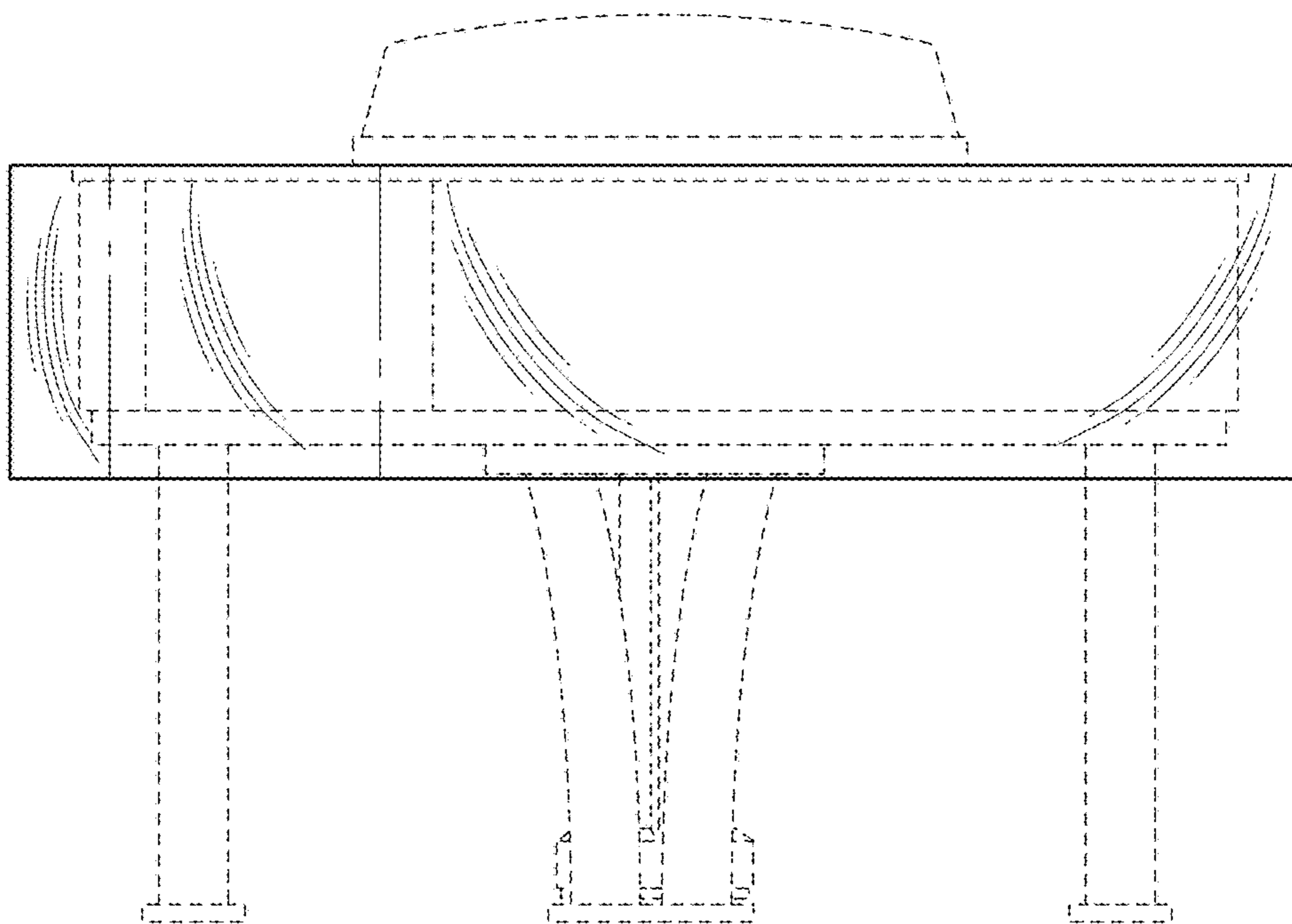


FIG. 3

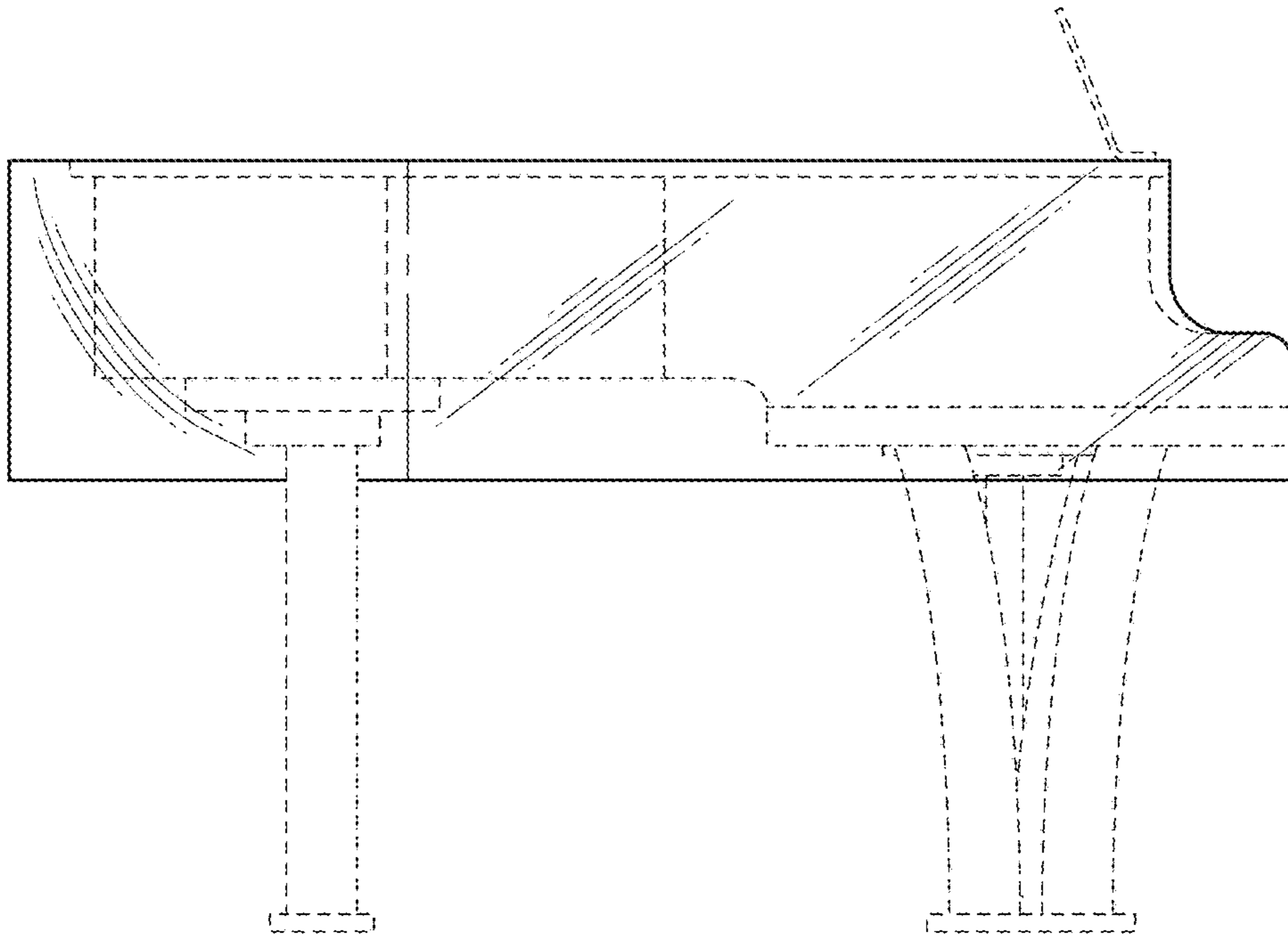


FIG. 4

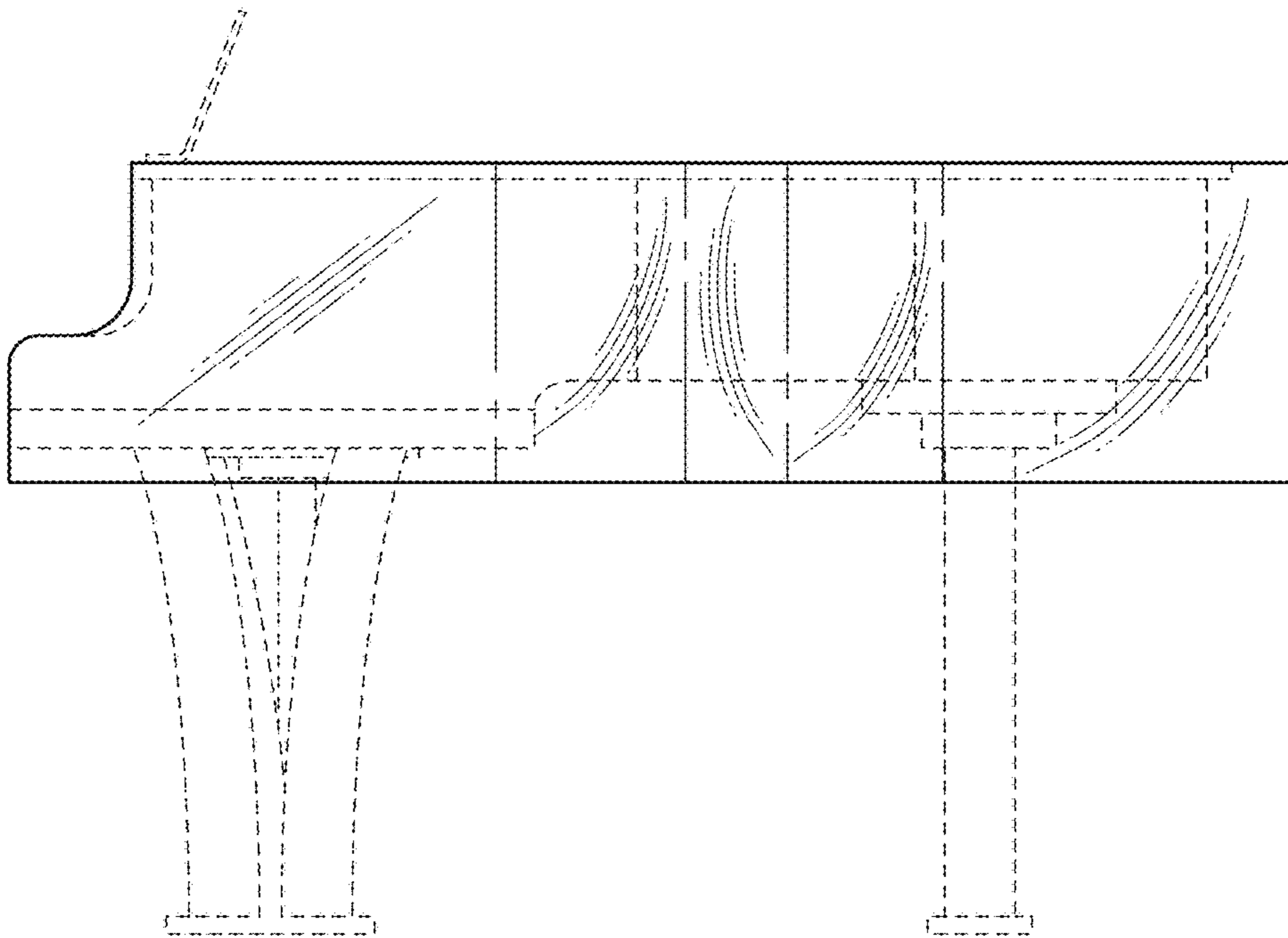


FIG. 5

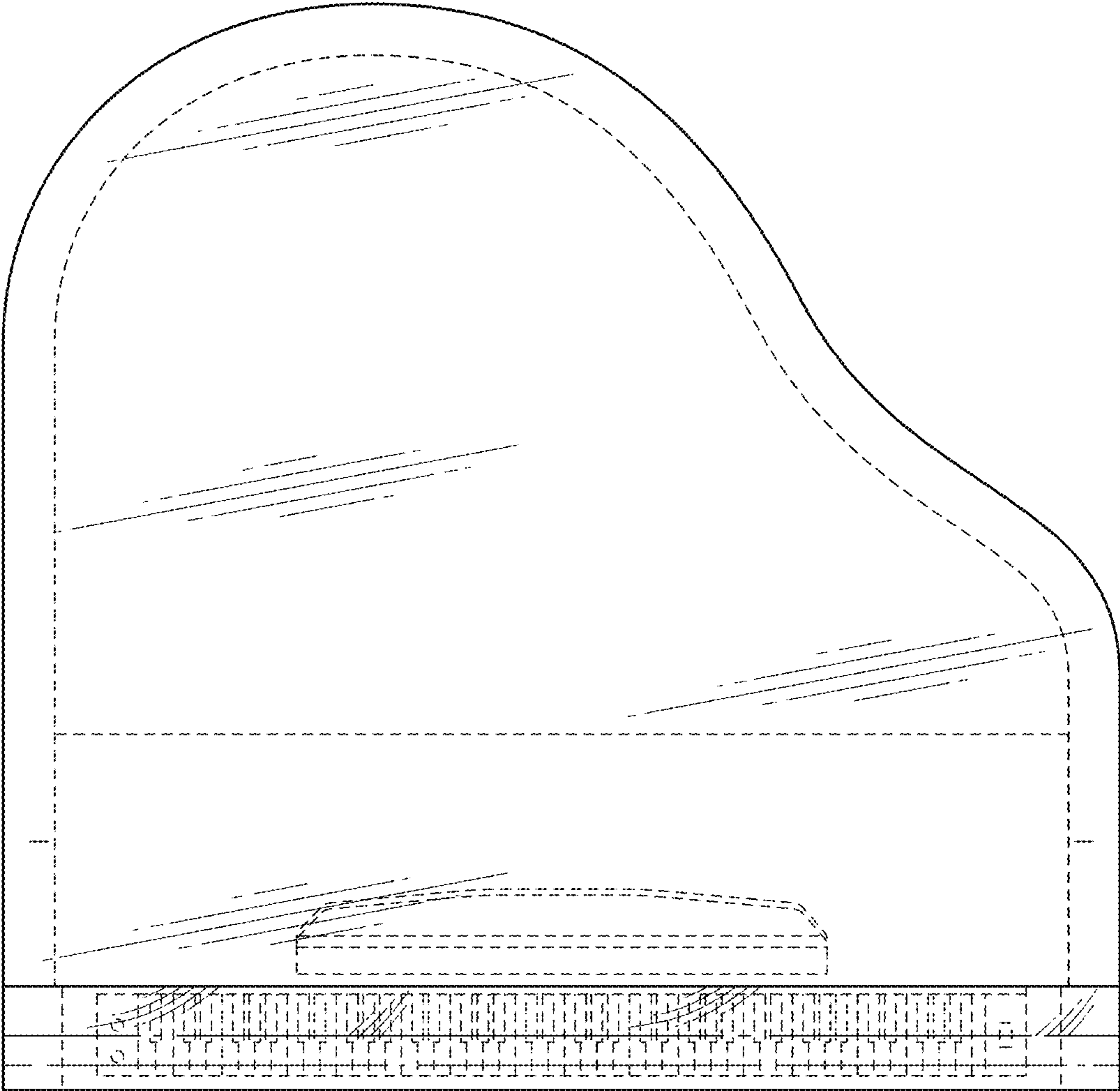


FIG. 6

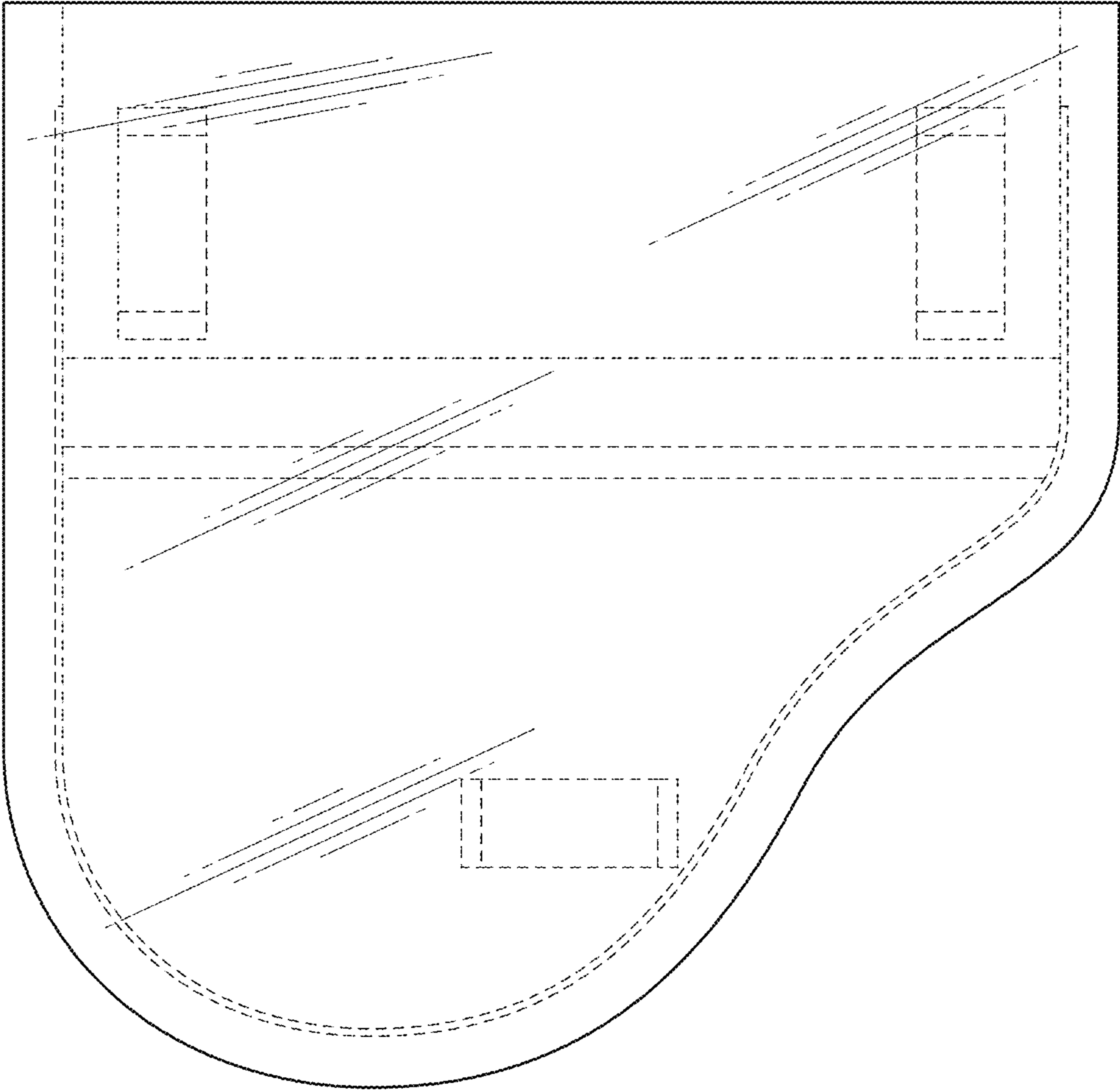


FIG. 7