



US00D823549S

(12) **United States Design Patent**
Bennett et al.

(10) **Patent No.:** **US D823,549 S**

(45) **Date of Patent:** **** Jul. 17, 2018**

(54) **FIRE EXTINGUISHER HOLDER**

D545,003 S * 6/2007 Heerdt D29/130
D739,612 S * 9/2015 Kronebusch D29/130
D786,051 S * 5/2017 Mooney D8/373

(71) Applicant: **Omix-Ada, Inc.**, Suwanee, GA (US)

* cited by examiner

(72) Inventors: **Patrick W. Bennett**, Gainesville, GA (US); **Jesse Neal**, Dacula, GA (US)

Primary Examiner — Randall H Gholson

(73) Assignee: **Omix-ADA, Inc.**, Suwanee, GA (US)

(74) *Attorney, Agent, or Firm* — Womble Bond Dickinson (US) LLP

(**) Term: **15 Years**

(57) **CLAIM**

The ornamental design for a fire extinguisher holder, as shown and described.

(21) Appl. No.: **29/605,951**

DESCRIPTION

(22) Filed: **May 31, 2017**

(51) **LOC (11) Cl.** **29-01**

(52) **U.S. Cl.**
USPC **D29/130**

(58) **Field of Classification Search**
USPC D29/125, 126, 129, 130; D8/394–396
CPC A47K 1/08; F16B 45/00; E04G 21/32;
H04N 17/00
See application file for complete search history.

FIG. 1 is a right front perspective view of a fire extinguisher holder showing our new design.

FIG. 2 is a front elevational view thereof.

FIG. 3 is a back elevational view thereof.

FIG. 4 is a right side elevational view thereof, the left side elevational view being a mirror image of the right side elevational view.

FIG. 5 is a top plan view thereof; and,

FIG. 6 is a bottom plan view thereof.

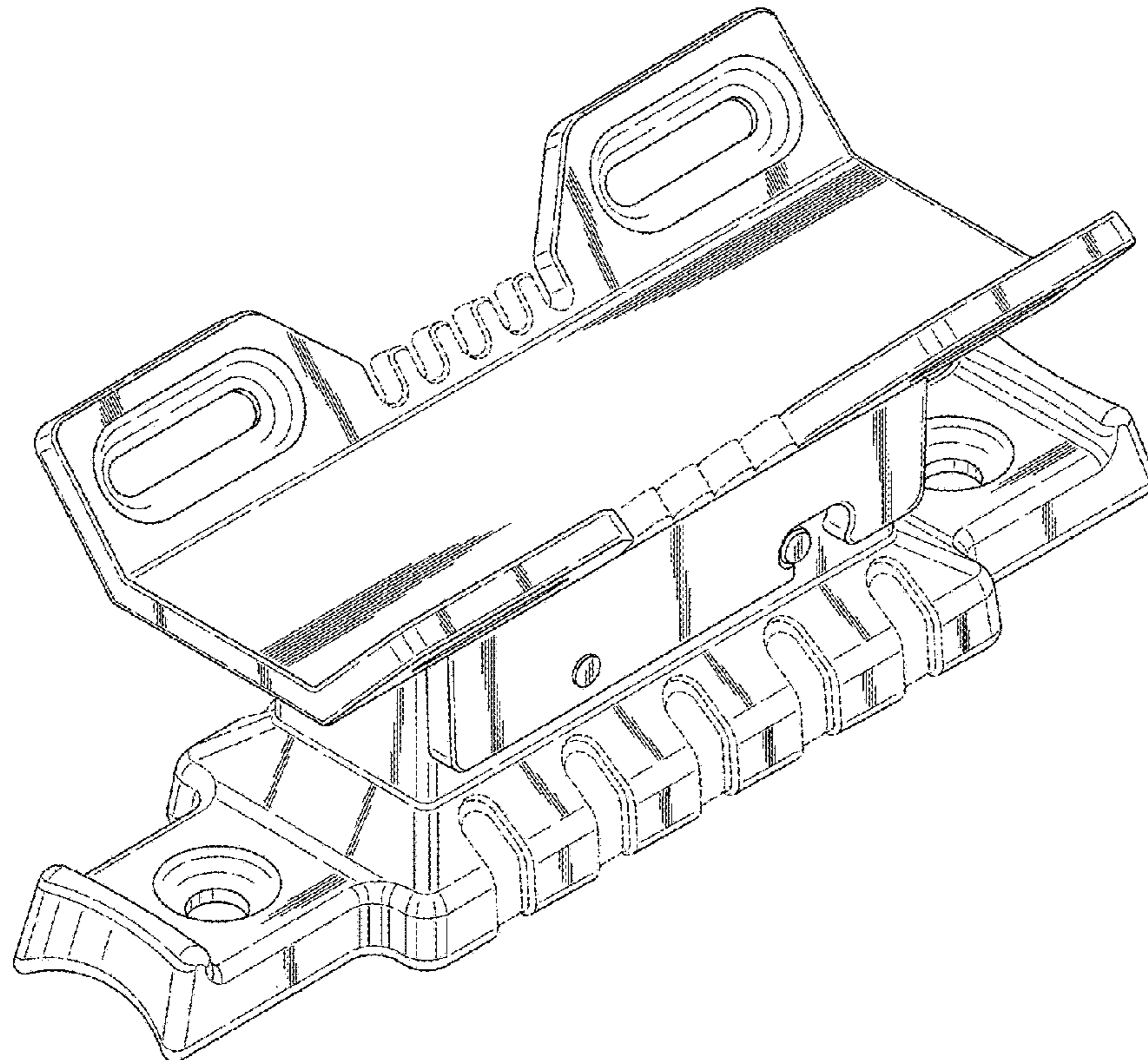
The broken lines shown in the drawings represent visible environmental structure or unclaimed portions of the structure of the fire extinguisher holder, and form no part of the claimed design.

(56) **References Cited**

U.S. PATENT DOCUMENTS

D314,325 S * 2/1991 Ziaylek, Jr. D8/373
D347,735 S * 6/1994 Ziaylek, Jr. D29/130

1 Claim, 5 Drawing Sheets



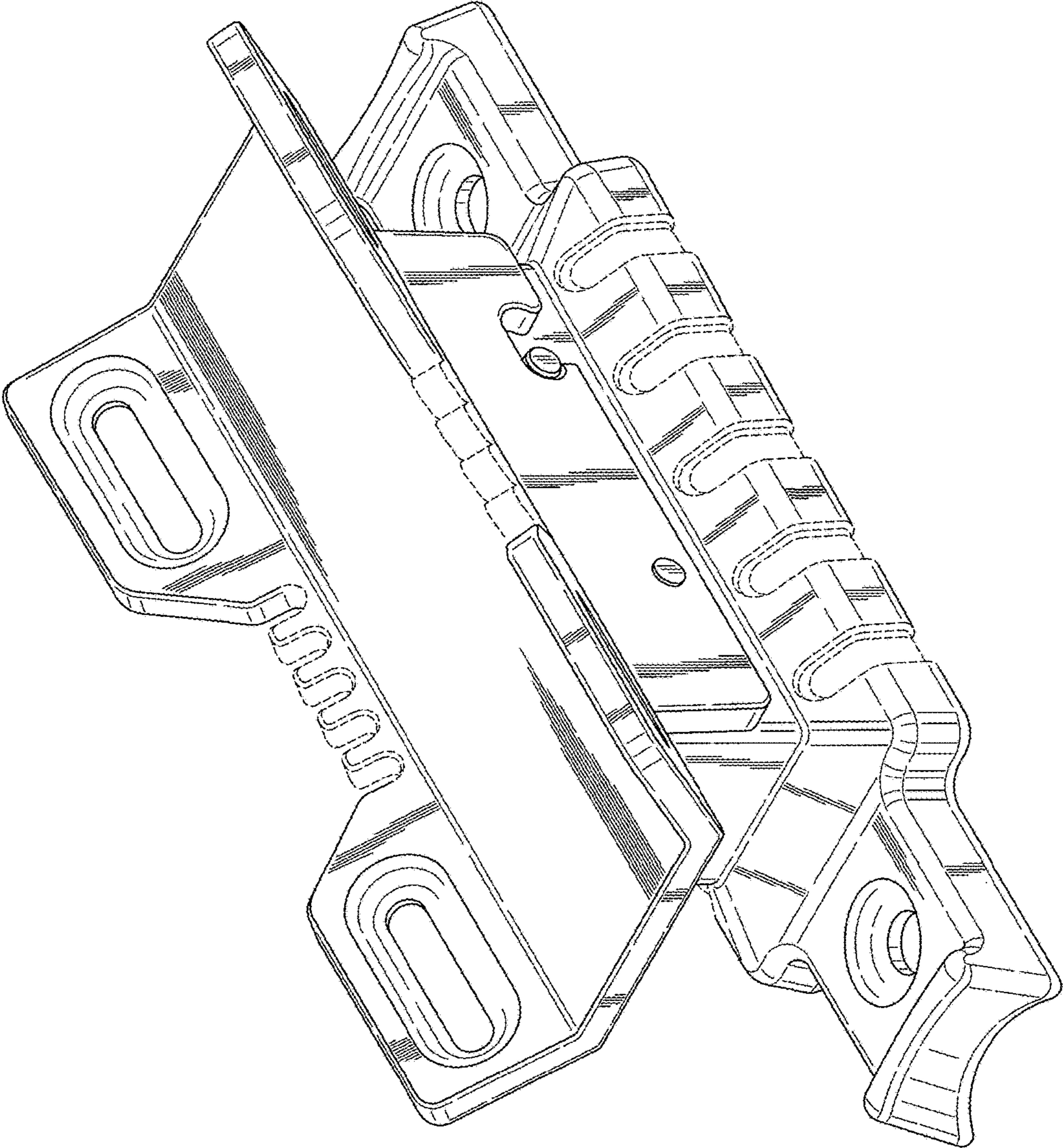


FIG. 1

FIG. 2

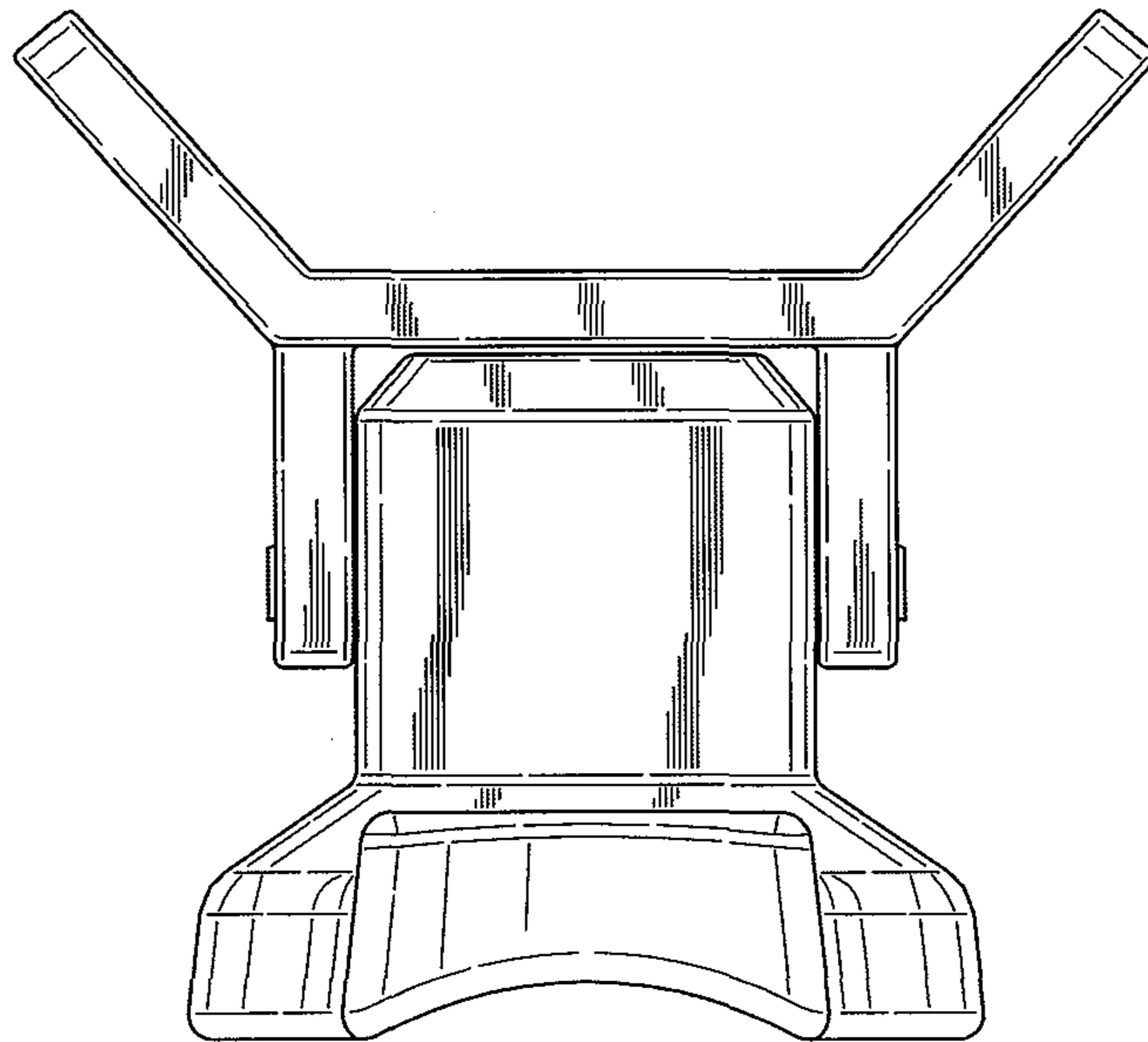


FIG. 3

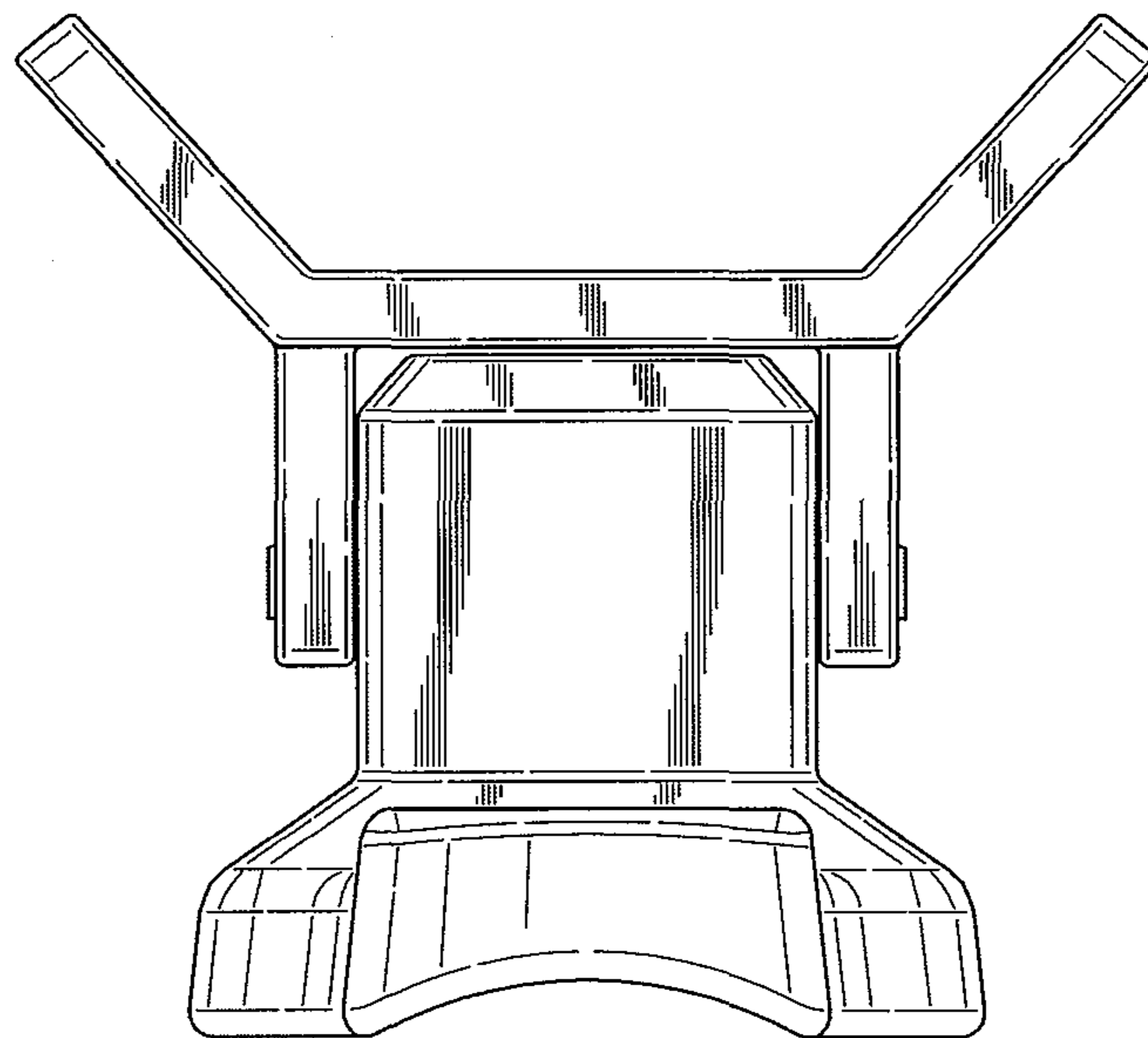
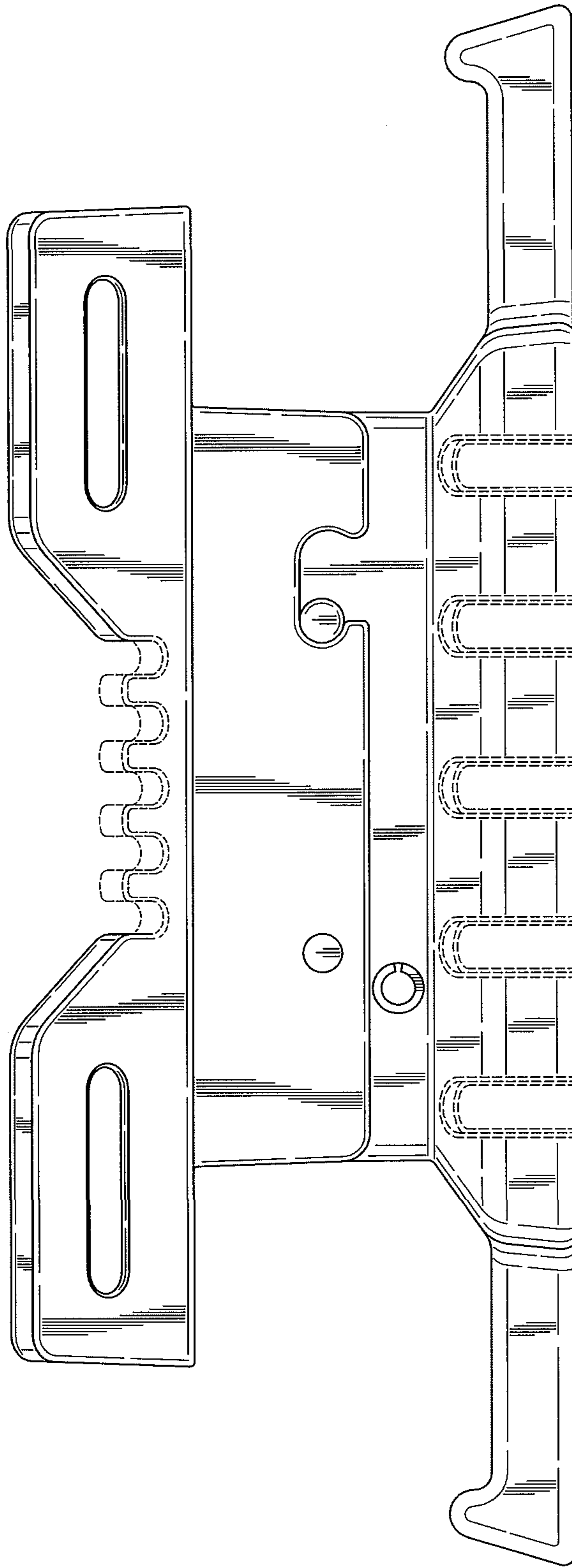


FIG. 4



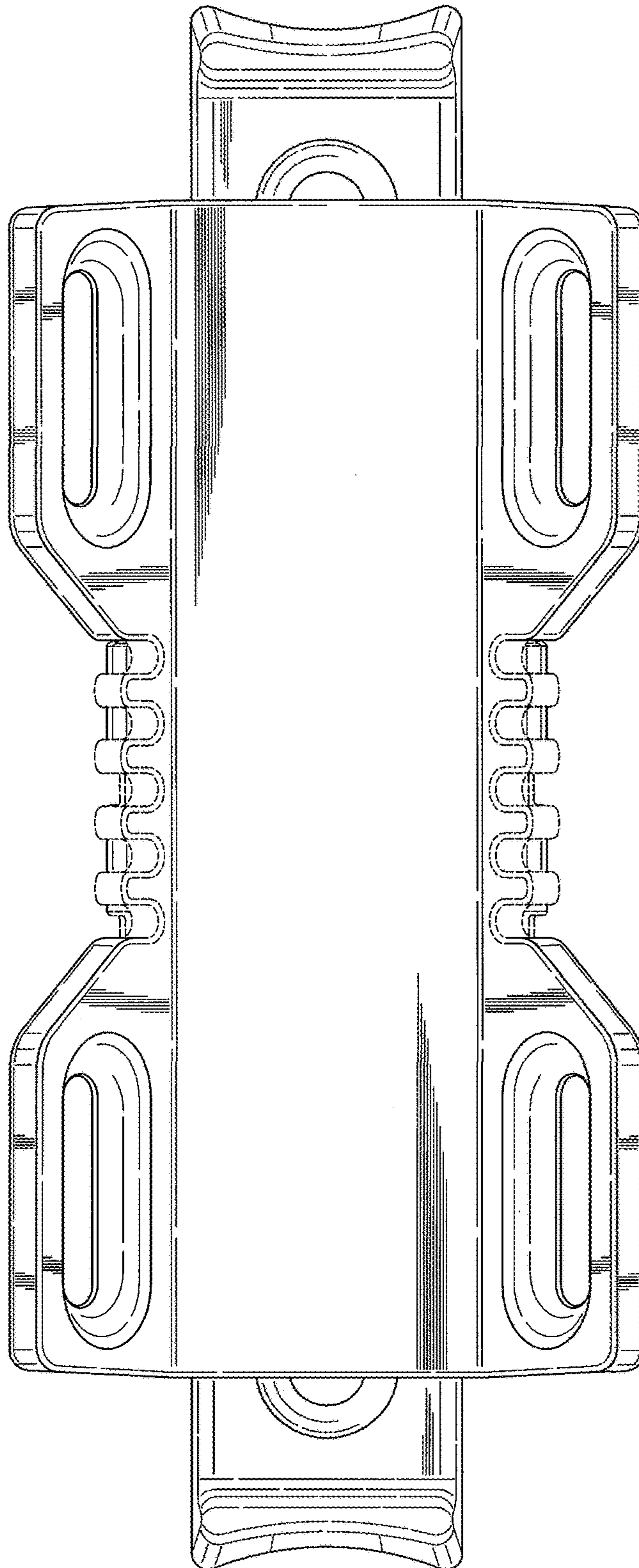


FIG. 5

FIG. 6

