



US00D823548S

(12) **United States Design Patent** (10) **Patent No.:** **US D823,548 S**  
**Seymour et al.** (45) **Date of Patent:** **\*\* Jul. 17, 2018**

- (54) **FIRE EXTINGUISHER HOSE CLIP**
- (71) Applicants: **Justun C. Seymour**, Eau Claire, WI (US); **Ryan Barrows**, Eau Claire, WI (US)
- (72) Inventors: **Justun C. Seymour**, Eau Claire, WI (US); **Ryan Barrows**, Eau Claire, WI (US)
- (\*\*) Term: **15 Years**
- (21) Appl. No.: **29/602,236**
- (22) Filed: **Apr. 28, 2017**

- D152,612 S 9/1947 Guise et al.
- D152,645 S 2/1948 Nurkiewicz
- D152,650 S 2/1949 Phister
- D152,718 S 2/1949 Meyer
- D152,812 S 2/1949 Mapes
- D153,320 S 4/1949 Raskob et al.
- D155,456 S 10/1949 Seaberg
- D158,263 S 4/1950 Gordon
- D164,346 S 8/1951 Allen
- D169,641 S 5/1953 Schroeder, Jr.
- D171,066 S 12/1953 Van Sciver
- D172,373 S 6/1954 Wagner
- D199,980 S 1/1965 Huthsing, Jr.
- D202,341 S 9/1965 Rodgers
- D203,979 S 3/1966 Brennan, et al.
- D207,260 S 3/1967 Jensen
- D215,654 S 10/1969 Huthsing, Jr.
- D228,900 S 10/1973 Hogg

(Continued)

**Related U.S. Application Data**

- (63) Continuation-in-part of application No. 29/526,021, filed on May 5, 2015, now Pat. No. Des. 777,991, and a continuation-in-part of application No. 29/505,639, filed on Dec. 24, 2015, now Pat. No. Des. 796,121.

*Primary Examiner* — Randall H Gholson  
 (74) *Attorney, Agent, or Firm* — Kirk A. Buhler; Buhler & Associates

(51) **LOC (11) Cl.** ..... **29-02**

(52) **U.S. Cl.**  
USPC ..... **D29/125**; D29/126

(58) **Field of Classification Search**  
 USPC ..... D23/355-369, 213, 214, 223, 224, 225, D23/231; D28/5, 6; 261/DIG. 17, 261/DIG. 42, DIG. 65, DIG. 88, DIG. 89, 261/DIG. 47, DIG. 55, DIG. 70; 392/356, 392/390, 392, 394, 395; 239/34, 44, 53, 239/55, 56, 326, 60, 308, 589; D9/687, D9/600, 695; D7/591; D29/125, 126, D29/129, 130; 169/7, 89; 222/210, 324  
 CPC .. A62C 2/00; A62C 8/00; A62C 13/76; A62C 13/64

See application file for complete search history.

(56) **References Cited**

**U.S. PATENT DOCUMENTS**

- D59,319 S 10/1921 Andrews
- D121,011 S 3/1940 Grant, Jr.

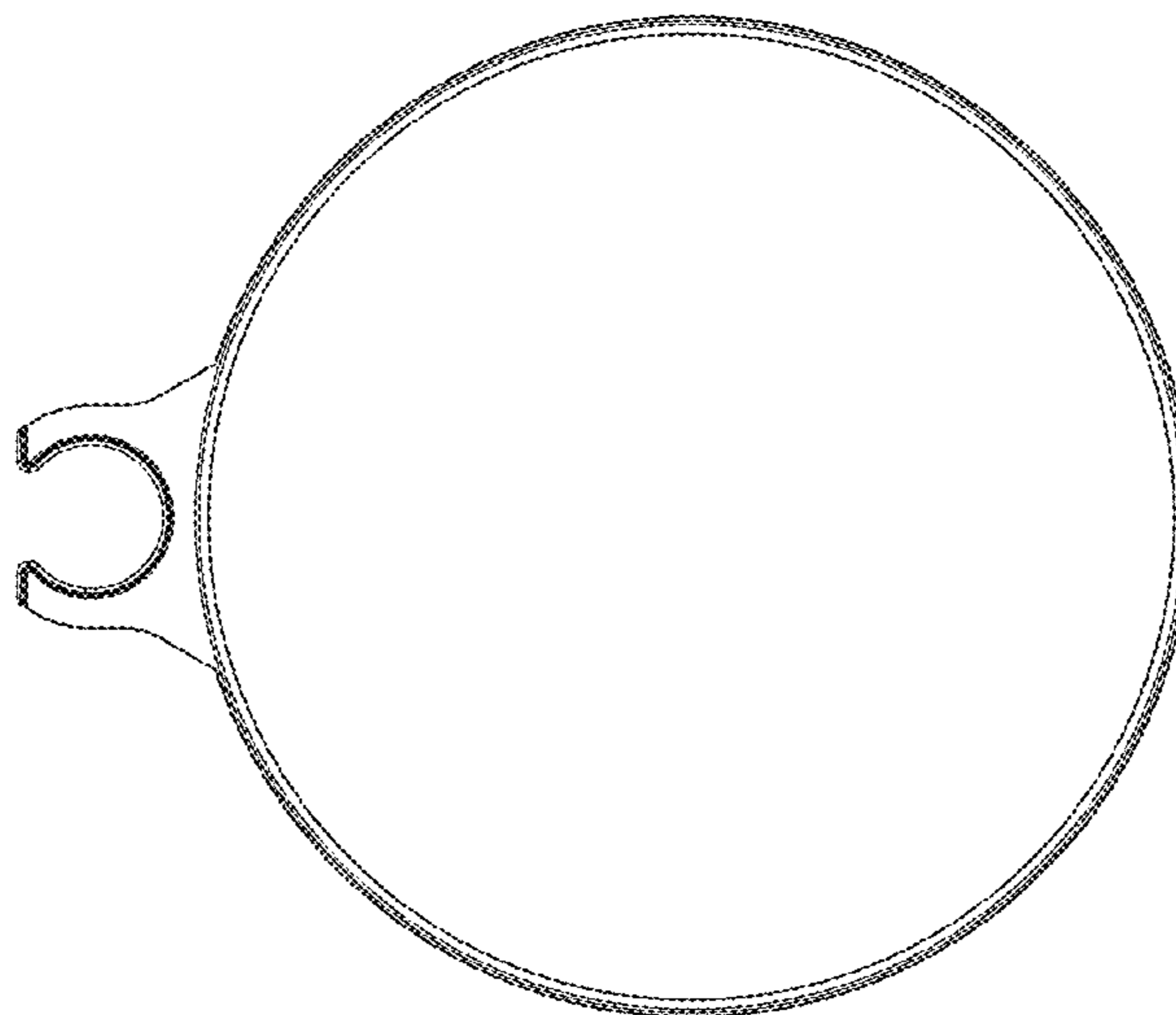
(57) **CLAIM**

The ornamental design for a fire extinguisher hose clip, as shown and described.

**DESCRIPTION**

FIG. 1 is a top view of the fire extinguisher hose clip showing our new design;  
 FIG. 2 is a front view the rear view being a mirror image thereof;  
 FIG. 3 is a bottom view thereof;  
 FIG. 4 is a top perspective view thereof; and,  
 FIG. 5 is a top perspective view of the hose clip on a fire extinguisher.  
 The features shown in broken lines in FIGS. 5 depict environmental subject matter only and form no part of the claimed design.

**1 Claim, 5 Drawing Sheets**



(56)

**References Cited**

U.S. PATENT DOCUMENTS

D237,895	S	12/1975	Allen, et al.	
D244,392	S	5/1977	Montambo	
D250,353	S	11/1978	Avant	
4,899,826	A	2/1990	Penn	
D307,648	S	5/1990	Arrington	
D328,158	S	7/1992	Levy	
D328,368	S *	7/1992	Levy .....	D29/126
6,527,058	B1 *	3/2003	Nerat .....	A62C 13/76 169/30
D488,589	S	4/2004	Yang et al.	
7,128,163	B1	10/2006	Rousseau	
7,318,484	B2	1/2008	Rousseau	
7,650,948	B2 *	1/2010	Rousseau .....	A62C 13/70 169/23
8,757,282	B2	6/2014	Rousseau	
8,820,423	B2	9/2014	Rousseau	

\* cited by examiner

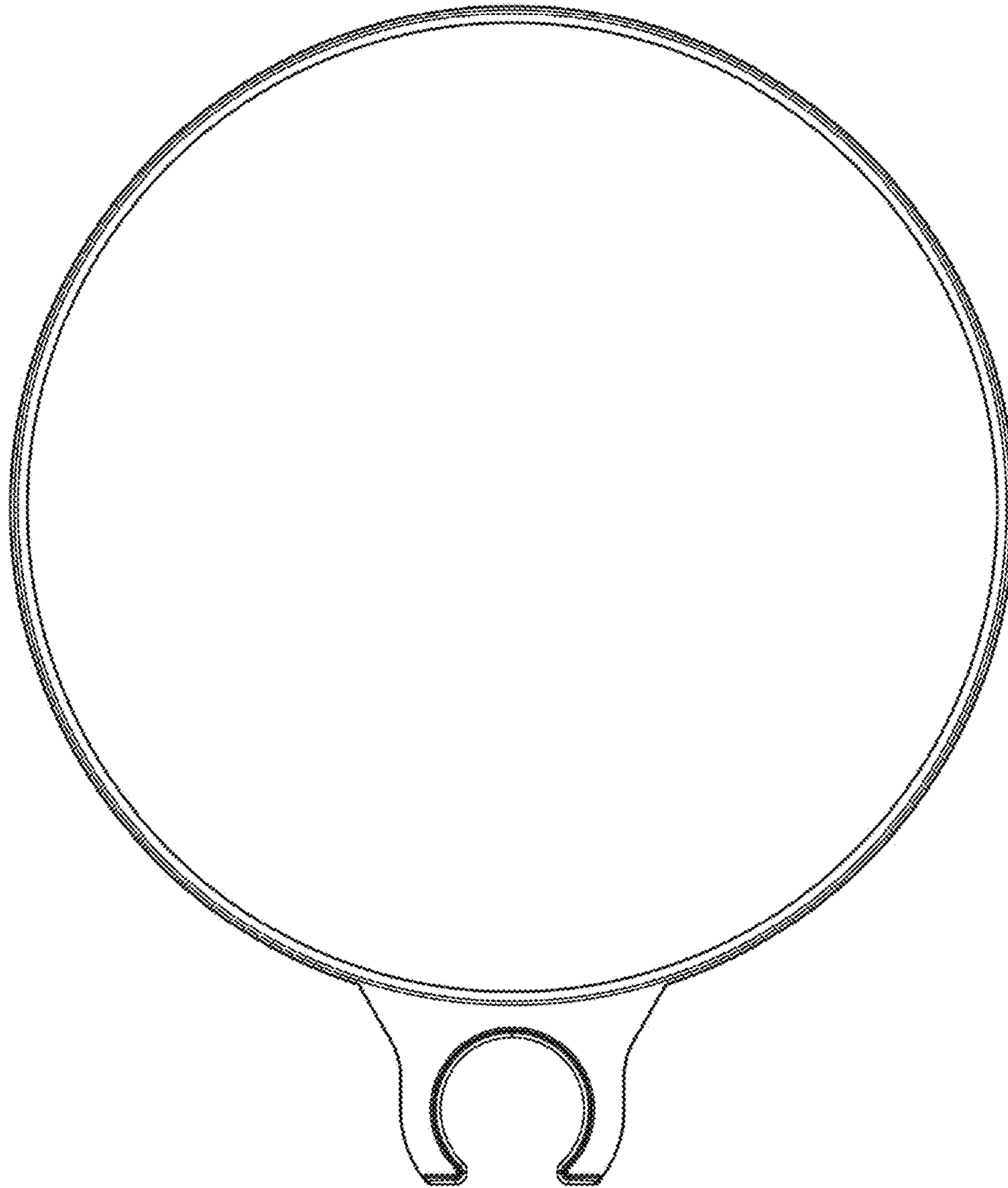


FIG. 1

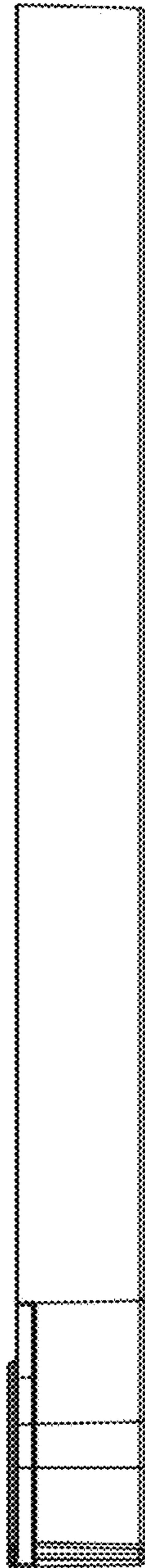


FIG. 2

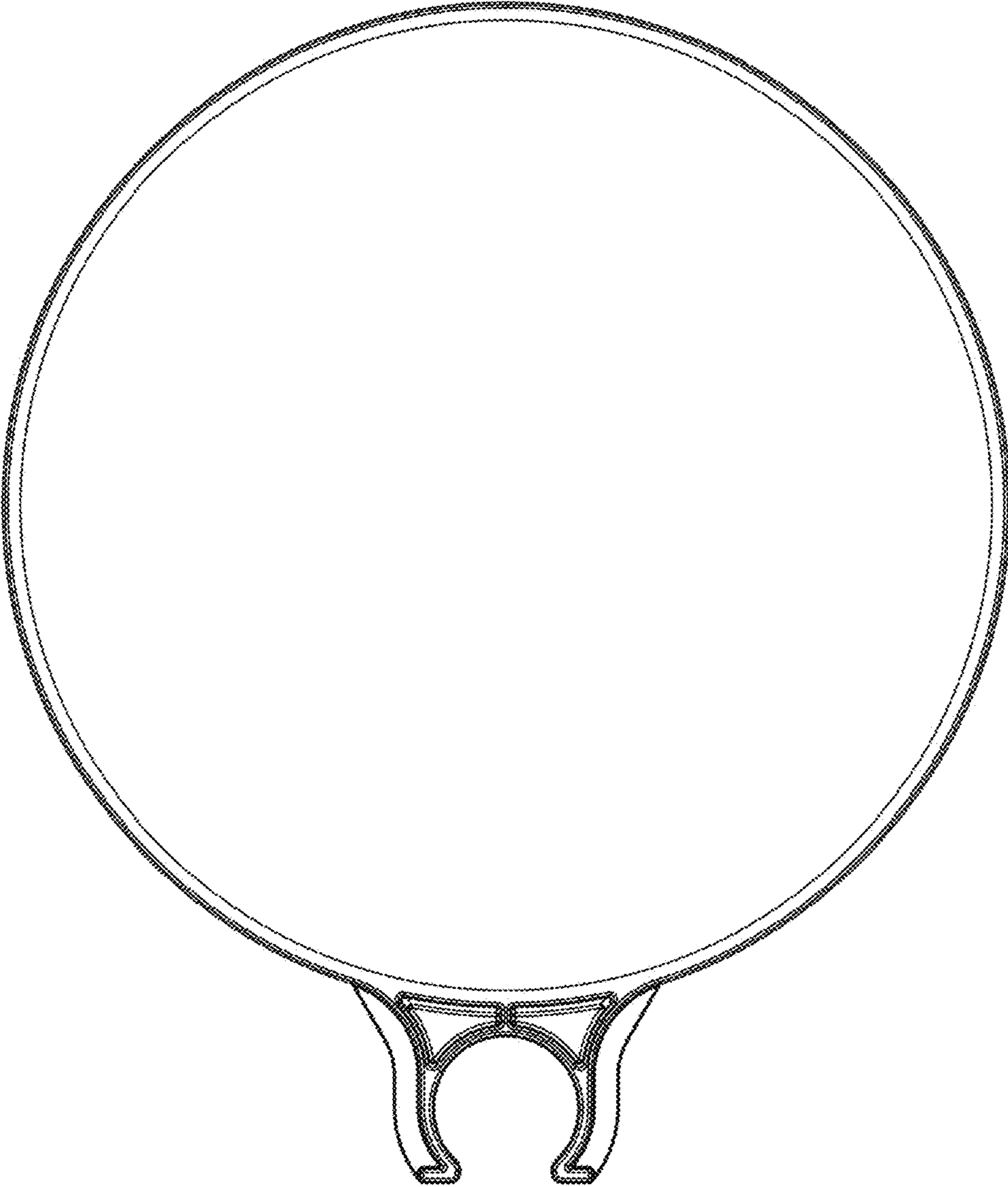


FIG. 3

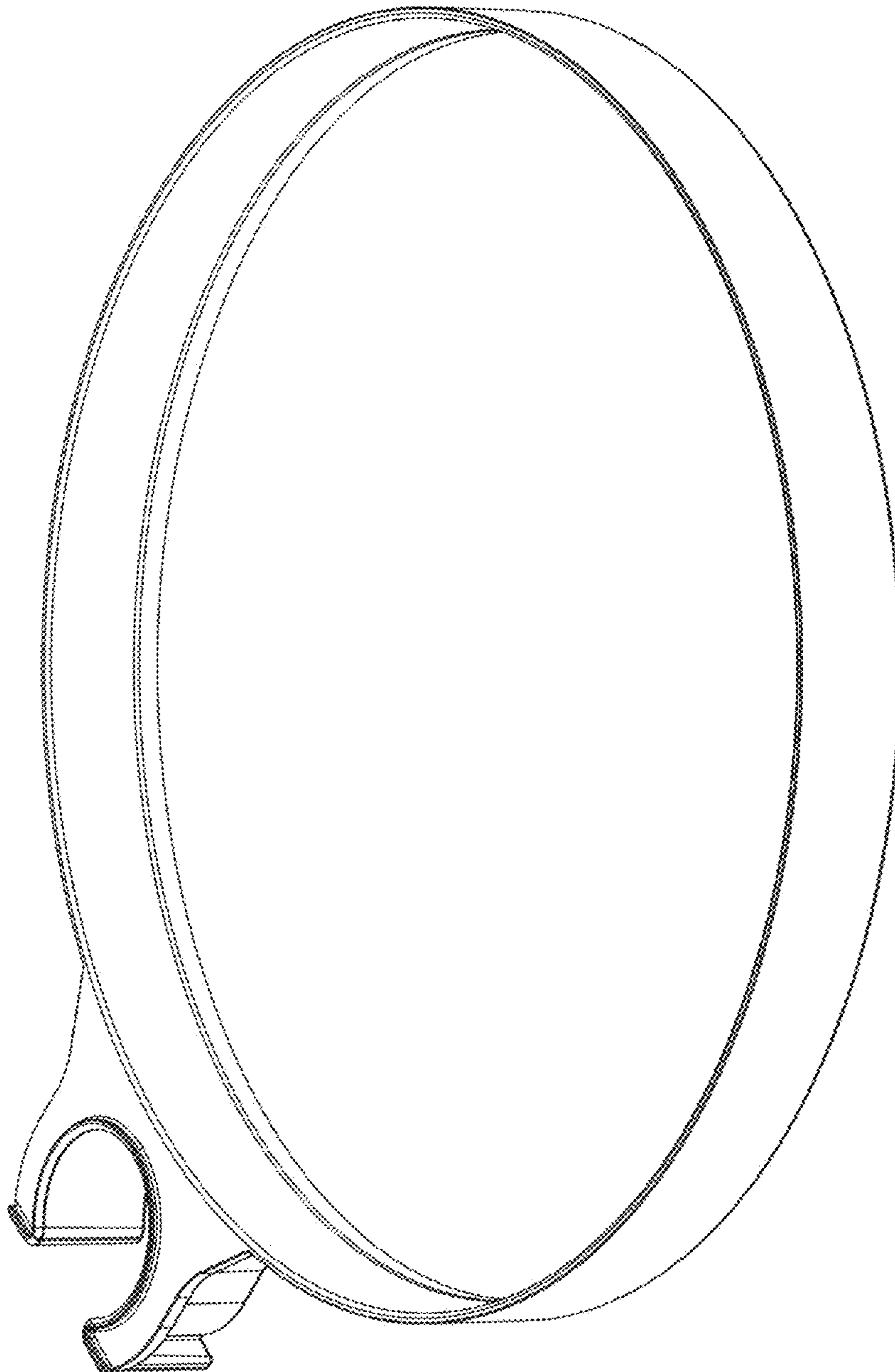


FIG. 4

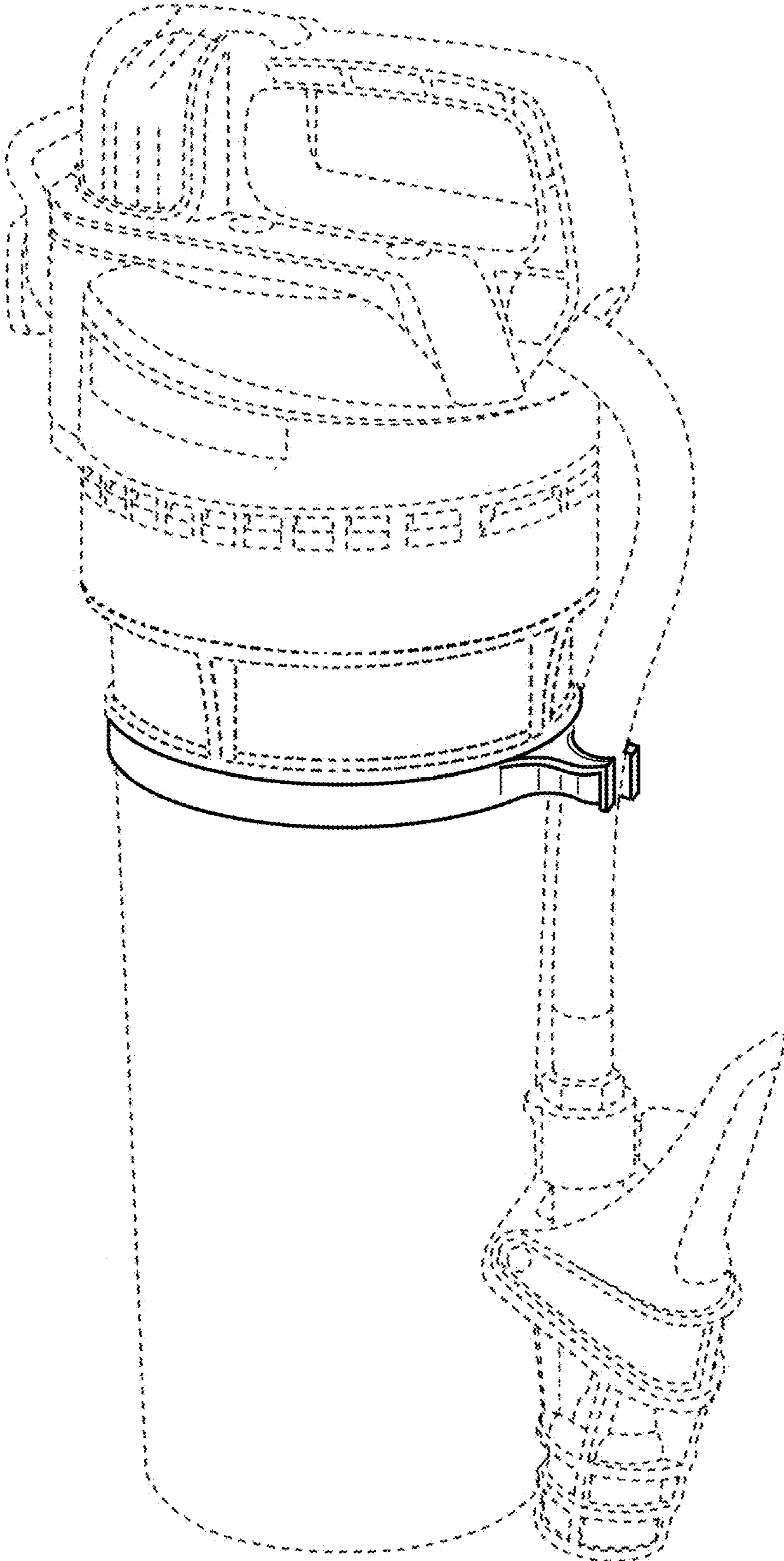


FIG. 5