



US00D823547S

(12) **United States Design Patent** (10) **Patent No.:** **US D823,547 S**  
**Rousseau et al.** (45) **Date of Patent:** **\*\* Jul. 17, 2018**

(54) **FIRE EXTINGUISHER**

(56) **References Cited**

(71) Applicants: **Hector Rousseau**, Riverside, CA (US);  
**Randy Rousseau**, Riverside, CA (US);  
**Ryan H. Barrows**, Eau Claire, WI  
(US); **Justun C. Seymour**, Eau Claire,  
WI (US)

U.S. PATENT DOCUMENTS

D59,319 S	10/1921	Andrews
D121,011 S	3/1940	Grant, Jr.
D152,612 S	9/1947	Guise et al.
D152,645 S	2/1948	Nurkiewicz
D152,650 S	2/1949	Phister
D152,718 S	2/1949	Meyer
D152,812 S	2/1949	Mapes
D153,320 S	4/1949	Raskob et al.
D155,456 S	10/1949	Seaberg
D158,263 S	4/1950	Gordon
D164,346 S	8/1951	Allen
D169,641 S	5/1953	Schroeder, Jr.
D171,066 S	12/1953	Van Sciver
D172,373 S	6/1954	Wagner
D199,980 S	1/1965	Huthsing, Jr.
D202,341 S	9/1965	Rodgers
D203,979 S	3/1966	Brennan et al.
D207,260 S	3/1967	Jensen
D215,654 S	10/1969	Huthsing, Jr.
D228,900 S	10/1973	Hogg
D237,895 S	12/1975	Allen et al.

(72) Inventors: **Hector Rousseau**, Riverside, CA (US);  
**Randy Rousseau**, Riverside, CA (US);  
**Ryan H. Barrows**, Eau Claire, WI  
(US); **Justun C. Seymour**, Eau Claire,  
WI (US)

(\*\*) Term: **15 Years**

(21) Appl. No.: **29/579,973**

(22) Filed: **Oct. 4, 2016**

**Related U.S. Application Data**

(62) Division of application No. 29/526,021, filed on May 5, 2015, now Pat. No. Des. 777,991.

(51) **LOC (11) Cl.** ..... **29-02**

(52) **U.S. Cl.**  
USPC ..... **D29/125**

(58) **Field of Classification Search**  
USPC ..... D23/355-369, 213, 214, 223, 224, 225,  
D23/231; D28/5, 6; 261/DIG. 17,  
261/DIG. 42, DIG. 65, DIG. 88, DIG. 89,  
261/DIG. 47, DIG. 55, DIG. 70; 392/356,  
392/390, 392, 394, 395; 239/34, 44, 53,  
239/55, 56, 326, 60, 308, 589; D9/687,  
D9/600, 695; D7/591; D29/125, 126,  
D29/129, 130; 169/7, 89; 222/210, 324  
CPC .. A62C 2/00; A62C 8/00; A62C 13/76; A62C  
13/64

See application file for complete search history.

*Primary Examiner* — Randall H Gholson

(74) *Attorney, Agent, or Firm* — Kirk A. Buhler; Buhler & Associates

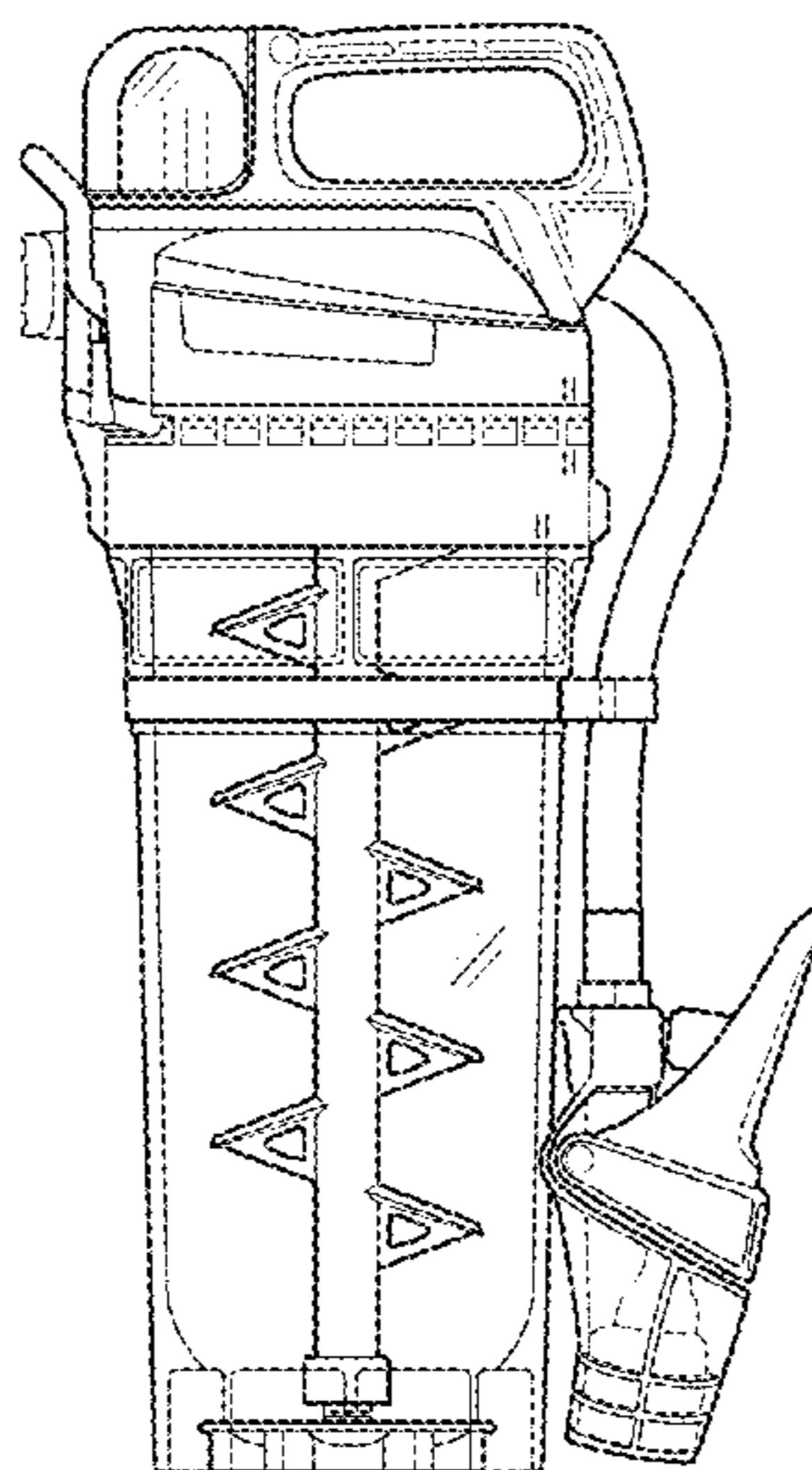
(57) **CLAIM**

The ornamental design for a fire extinguisher, as shown and described.

**DESCRIPTION**

FIG. 1 is a front view for a fire extinguisher showing my new design of the invention;  
FIG. 2 is a right side view thereof;  
FIG. 3 is a rear side view thereof;  
FIG. 4 is a left side view thereof;  
FIG. 5 is a top side view thereof;  
FIG. 6 is a bottom side view thereof; and,  
FIG. 7 is a top right perspective view.

**1 Claim, 7 Drawing Sheets**



(56)

**References Cited**

U.S. PATENT DOCUMENTS

D244,392	S	5/1977	Montambo	
D250,353	S	11/1978	Avant	
4,899,826	A	2/1990	Penn	
D307,648	S	5/1990	Arrington	
D328,158	S	7/1992	Levy	
D328,368	S	7/1992	Levy	
D488,589	S	4/2004	Yang et al.	
7,128,163	B1	11/2006	Rousseau	
7,318,484	B2	1/2008	Rousseau	
7,650,948	B2	1/2010	Rousseau	
D643,092	S *	8/2011	Bandawat	..... F24F 6/14 D23/202
D682,034	S *	5/2013	El-Saden	..... D7/510
8,757,282	B2	6/2014	Rousseau	
8,820,423	B2	9/2014	Rousseau	

\* cited by examiner

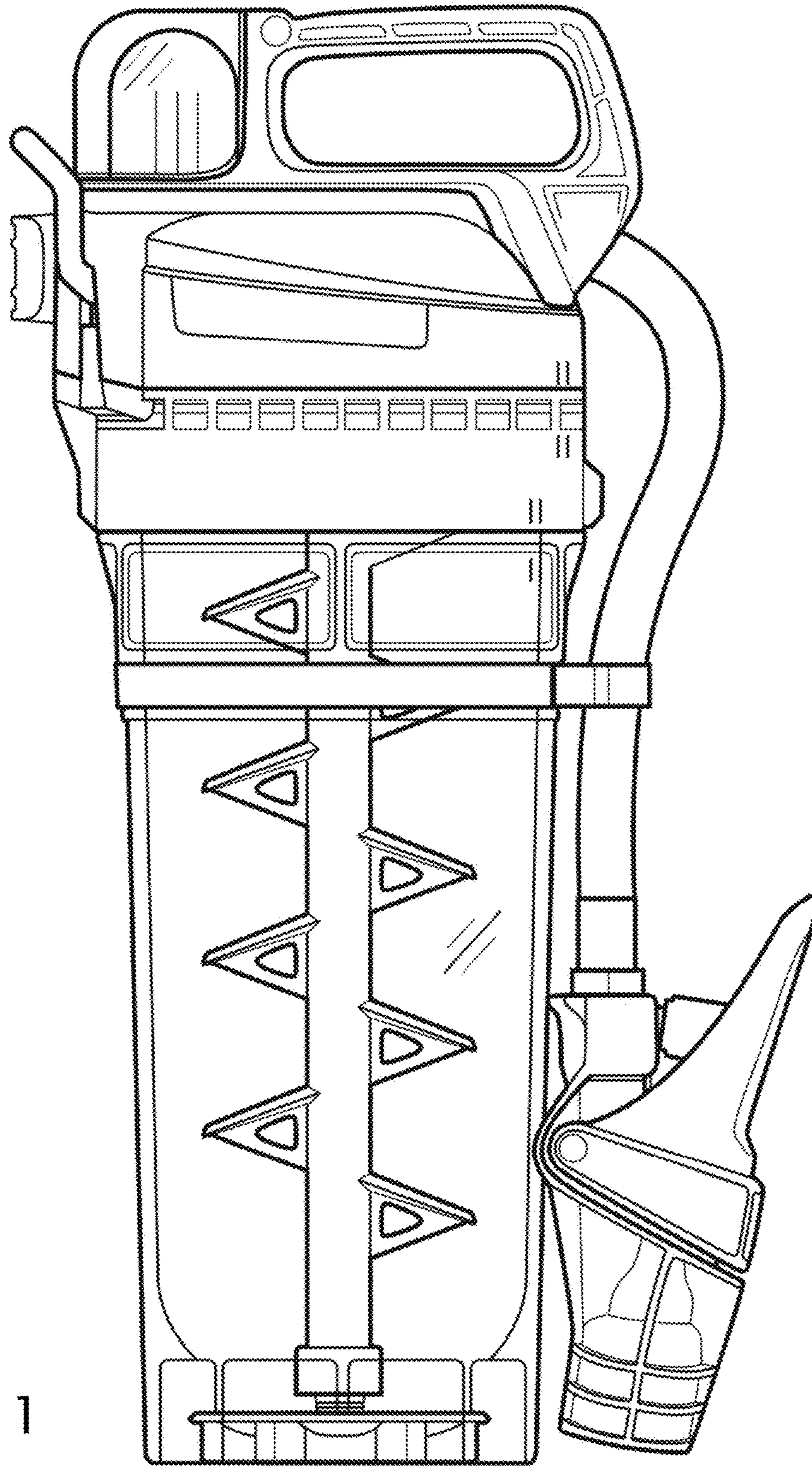


FIG. 1

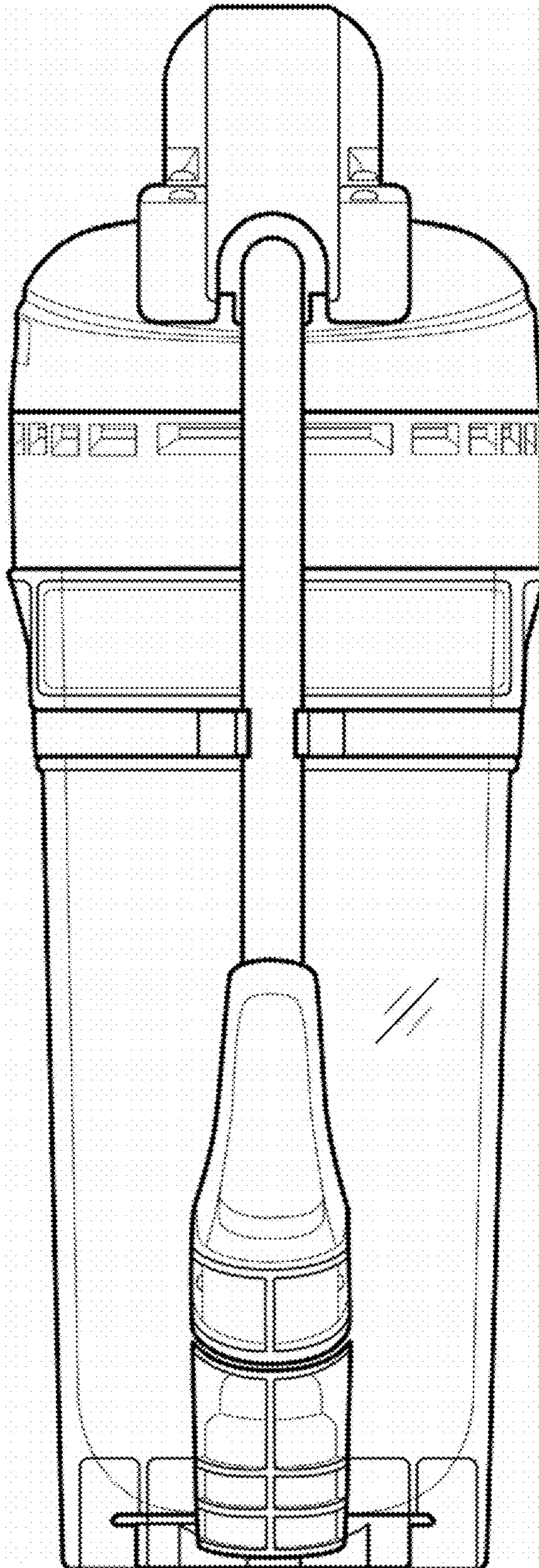


FIG. 2

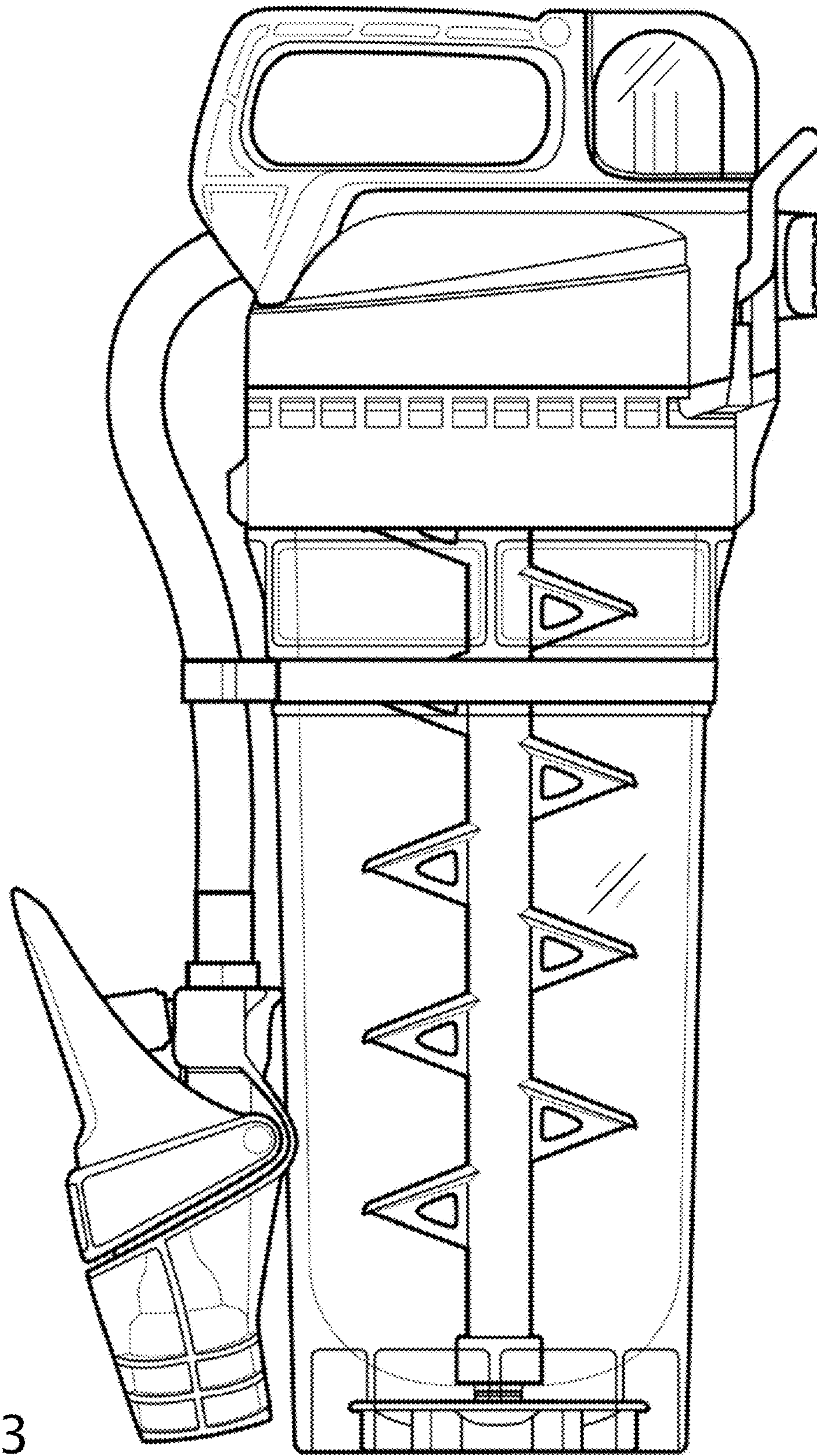


FIG. 3

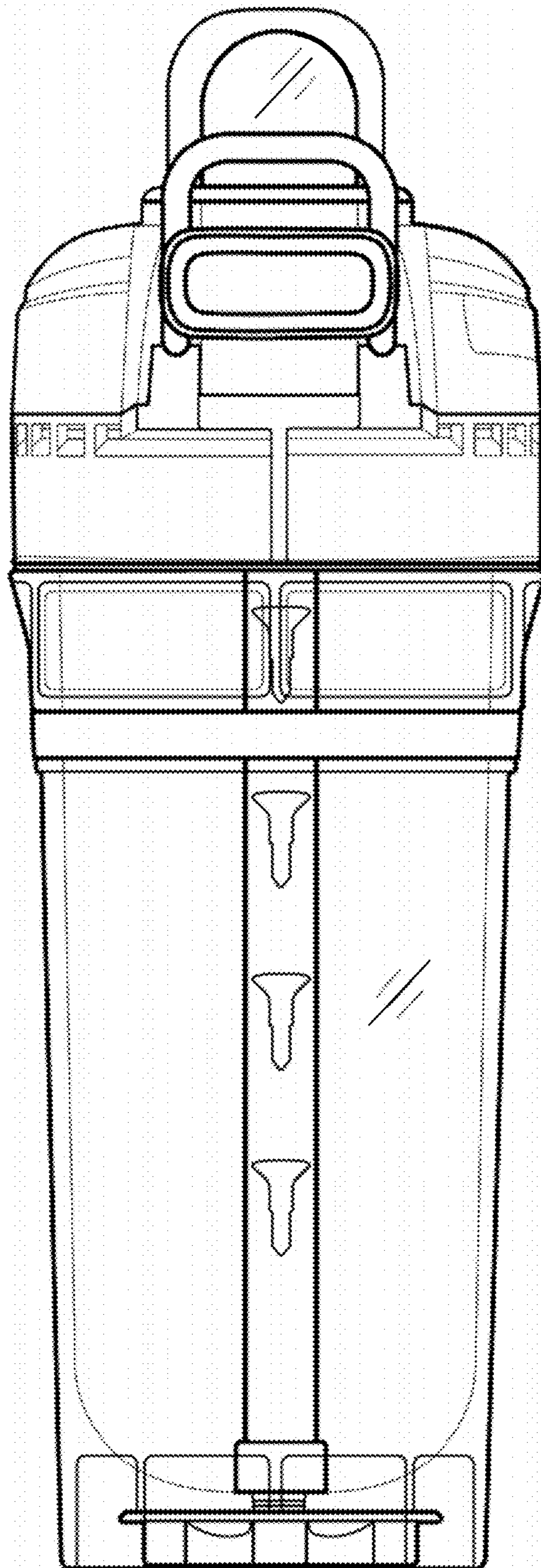


FIG. 4

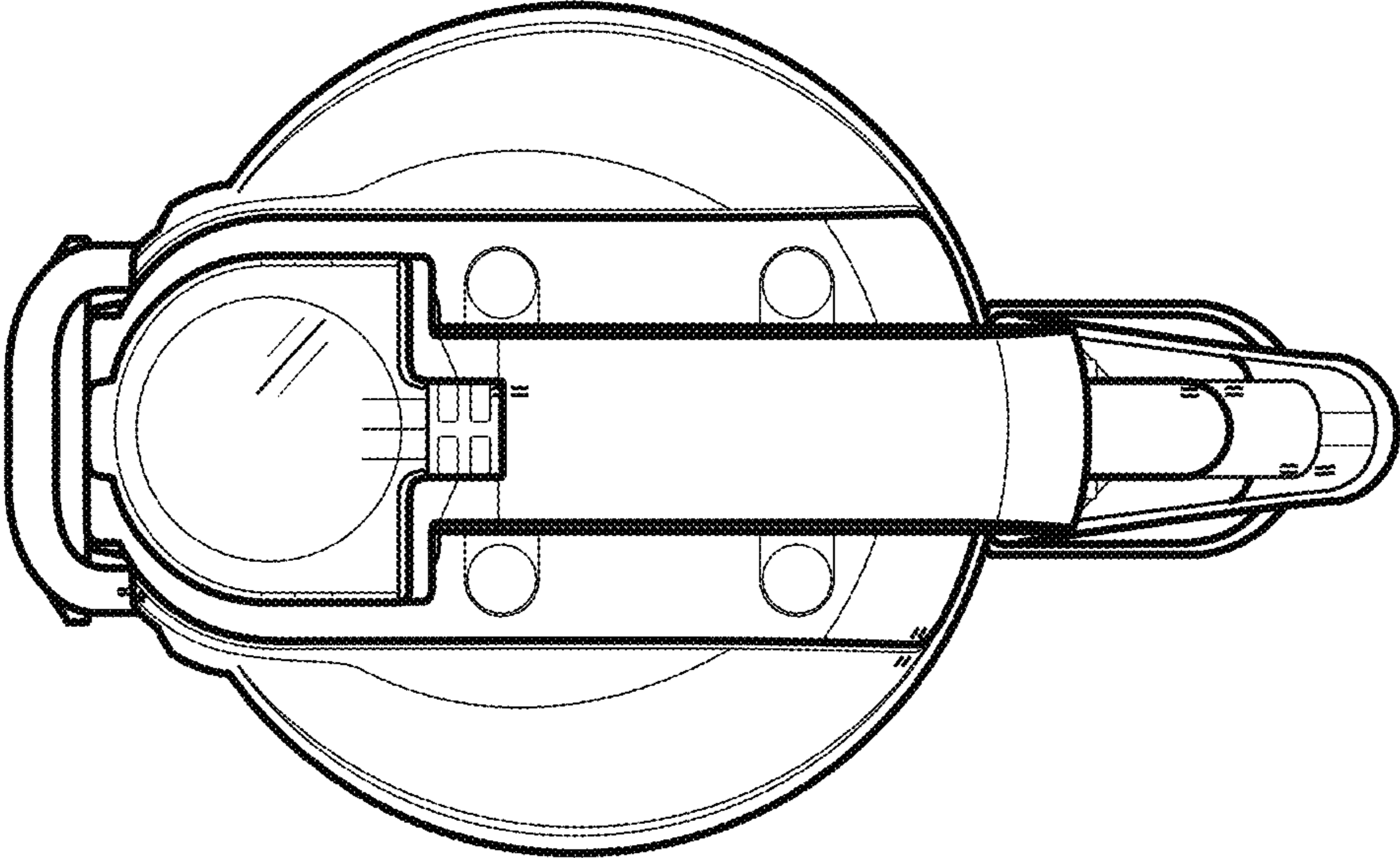


FIG. 5

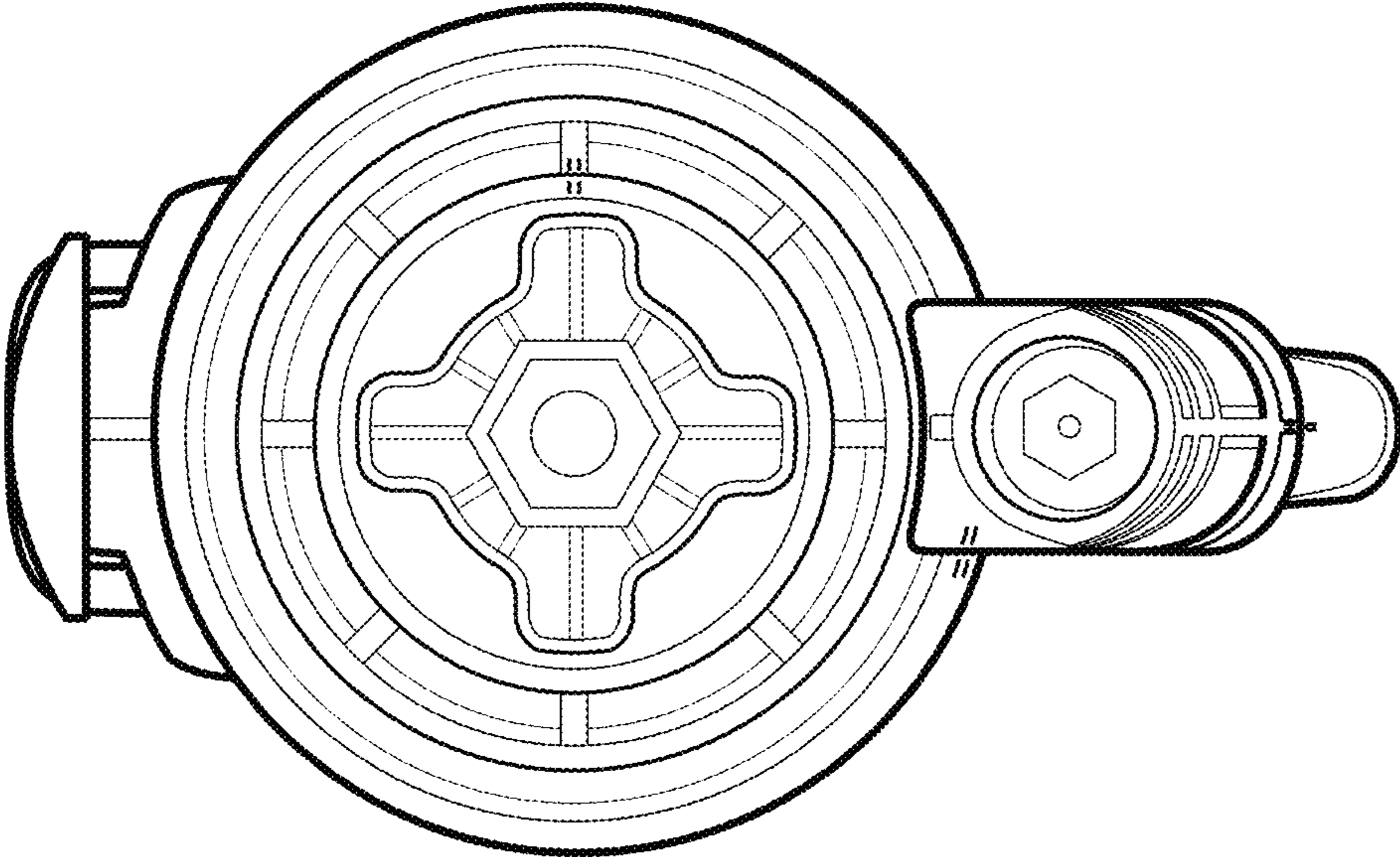


FIG. 6



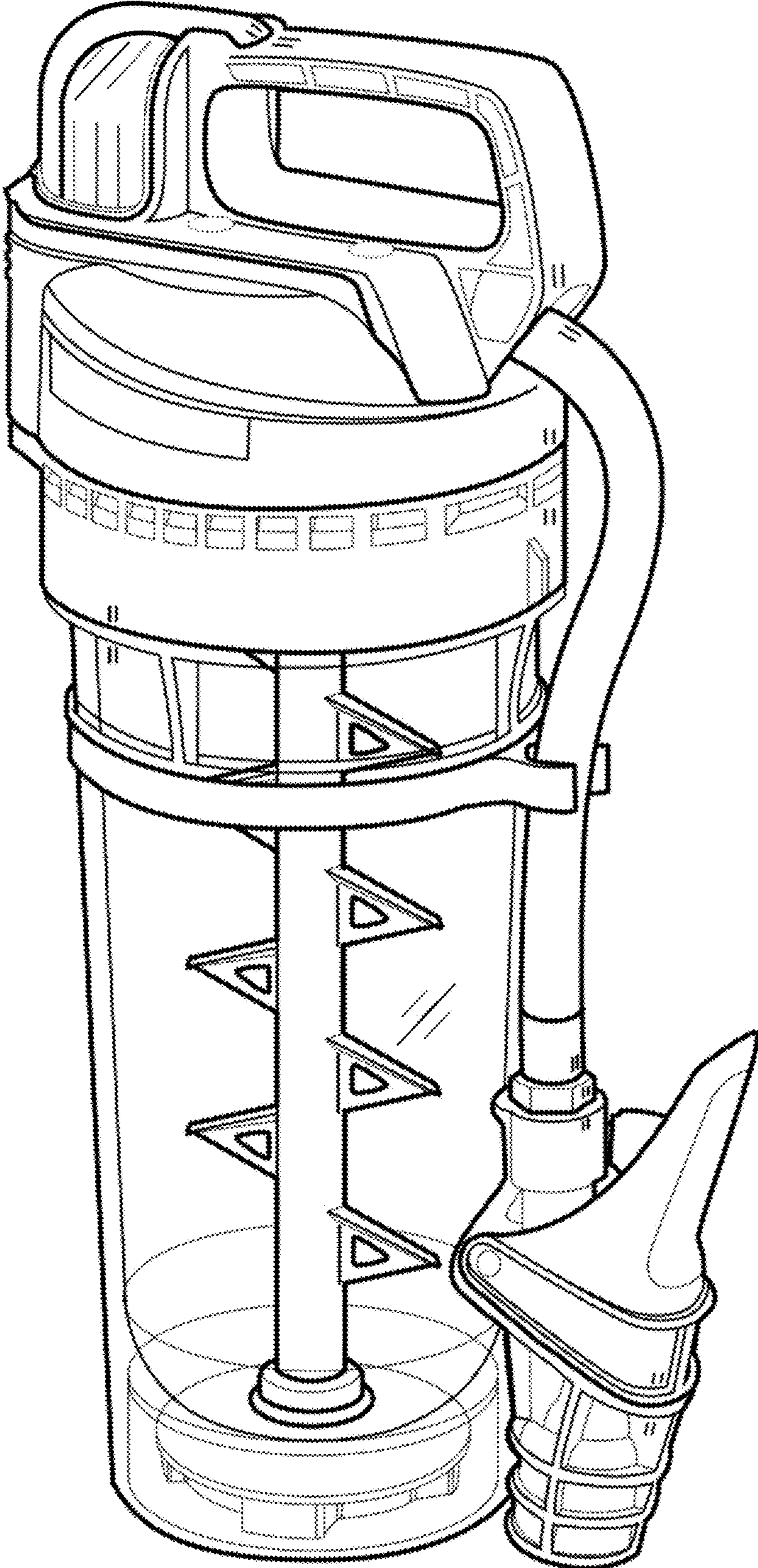


FIG. 7