



US00D823546S

(12) **United States Design Patent**
Petroff

(10) **Patent No.:** **US D823,546 S**

(45) **Date of Patent:** **** Jul. 17, 2018**

(54) **SHIN PAD**

(71) Applicant: **James Petroff**, Colts Neck, NJ (US)

(72) Inventor: **James Petroff**, Colts Neck, NJ (US)

(**) Term: **15 Years**

(21) Appl. No.: **29/618,228**

(22) Filed: **Sep. 20, 2017**

(51) **LOC (11) Cl.** **29-02**

(52) **U.S. Cl.**
USPC **D29/121.1**

(58) **Field of Classification Search**
USPC D29/10, 11, 100, 101.5, 122, 121.1;
D2/711, 713; 128/95.1, 96.1, 98.1, 846,
128/891; 602/67, 72, 73, 96, 108, 114;
2/2, 455; 450/38, 228, 267, 403, 405;
623/7; 604/352, 353, 395
CPC A41D 13/05; A41D 13/0525; A63B 71/08
See application file for complete search history.

(56) **References Cited**

U.S. PATENT DOCUMENTS

2,534,888	A	12/1950	Vold	
5,090,055	A	2/1992	McElroy	
D341,228	S	11/1993	Loftin	
D354,590	S *	1/1995	Paikos	D29/100
5,382,000	A *	1/1995	Rossman	E04D 15/00
				254/17
6,151,714	A *	11/2000	Pratt	A41D 13/0568
				2/24

D463,072	S *	9/2002	Munoz	D29/121.1
D478,992	S *	8/2003	Burke	D24/190
6,807,682	B1 *	10/2004	Shircliff	A41D 13/065
				2/24
D504,981	S *	5/2005	Vanderhoef	D29/121.1
D516,254	S *	2/2006	Shircliff	D29/121.1
7,725,951	B2	6/2010	Rampersad	
D649,257	S *	11/2011	Cowan	D24/209
8,151,369	B2	4/2012	Olson	
D704,898	S *	5/2014	Kaal	D29/121.1
D733,365	S *	6/2015	Hassler	D29/121.1
2011/0083243	A1	4/2011	Bristrup	
2012/0240303	A1	9/2012	Matta et al.	
2016/0278455	A1	9/2016	Johnson	

FOREIGN PATENT DOCUMENTS

WO WO2006055620 5/2006

* cited by examiner

Primary Examiner — Randall H Gholson

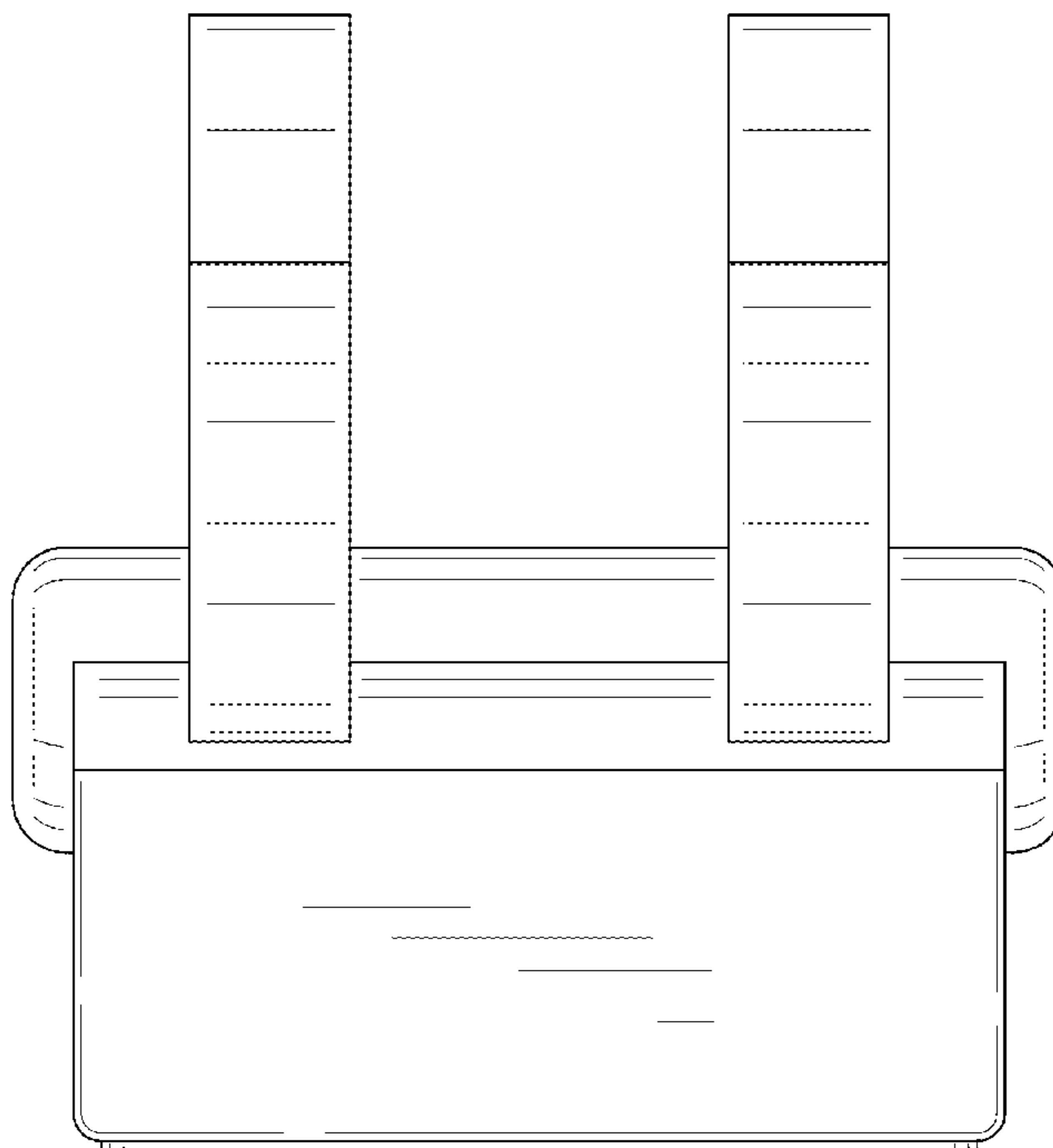
(57) **CLAIM**

The ornamental design for a shin pad, as shown and described.

DESCRIPTION

FIG. 1 is a front view of a shin pad showing my new design;
FIG. 2 is a rear view of the shin pad;
FIG. 3 is a left side view of the shin pad, a right side view being a mirror image thereof;
FIG. 4 is a top view of the shin pad;
FIG. 5 is a bottom view of the shin pad; and,
FIG. 6 is a top front side perspective view of the shin pad.

1 Claim, 6 Drawing Sheets



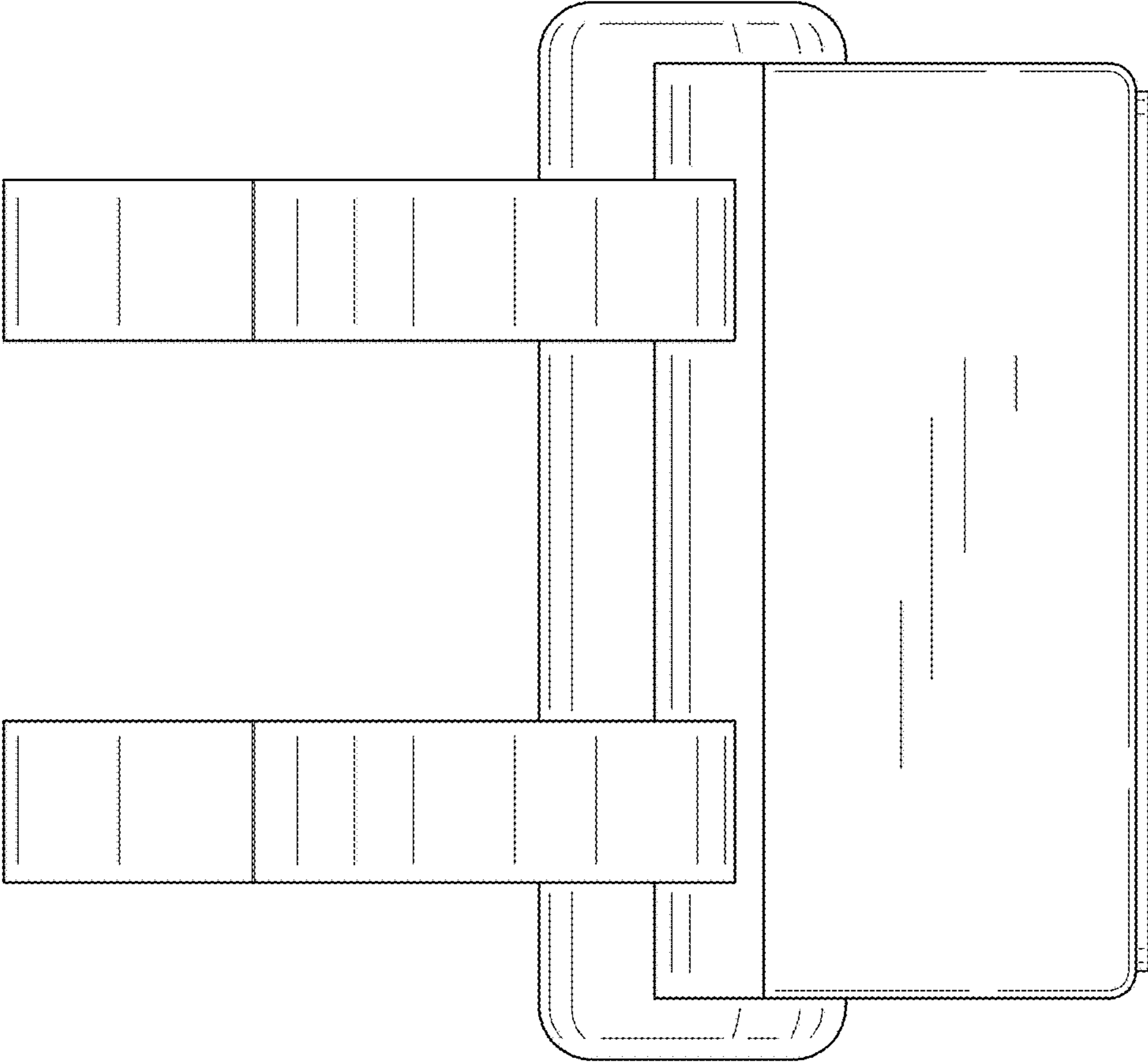


FIG. 1

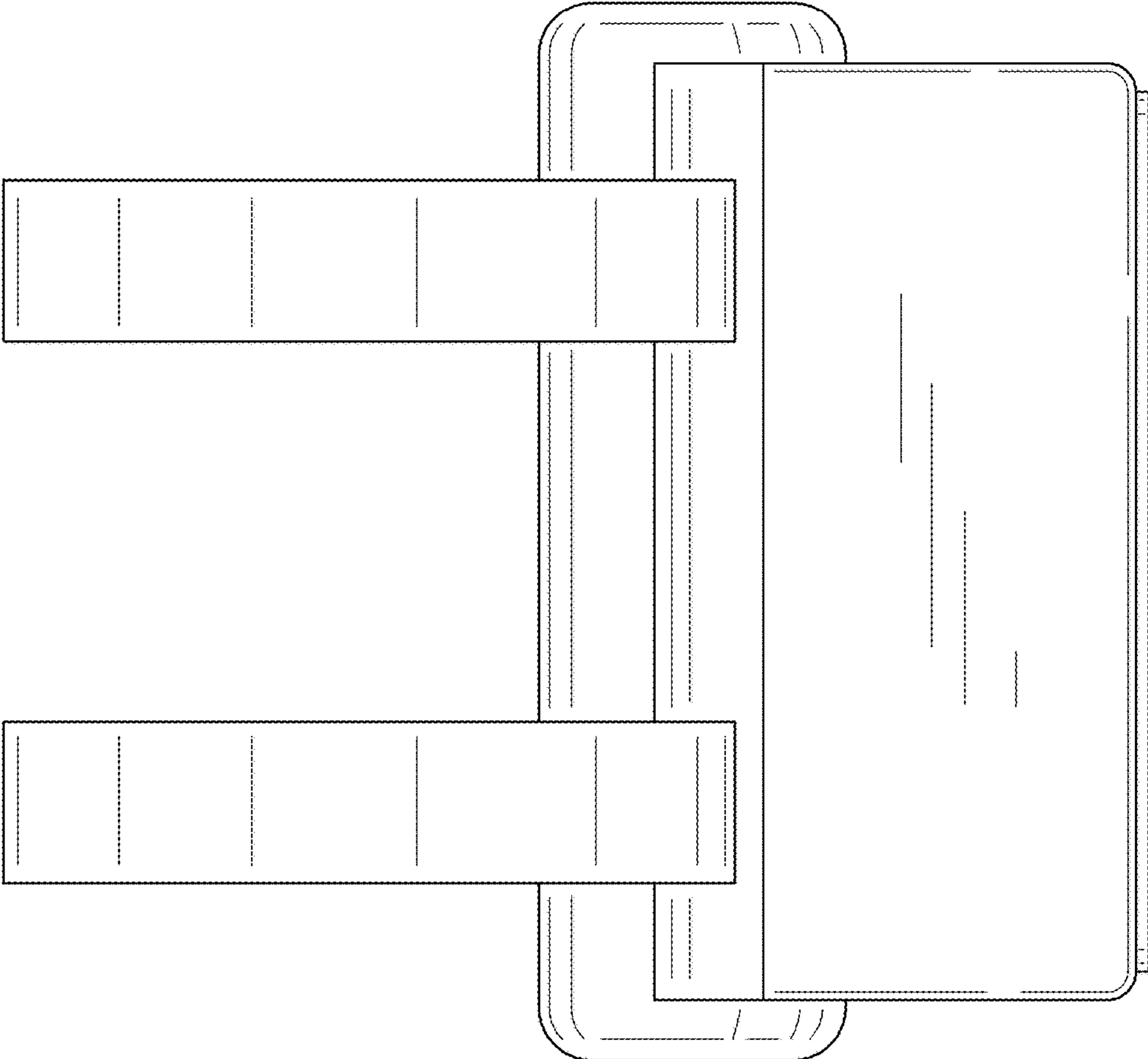


FIG. 2

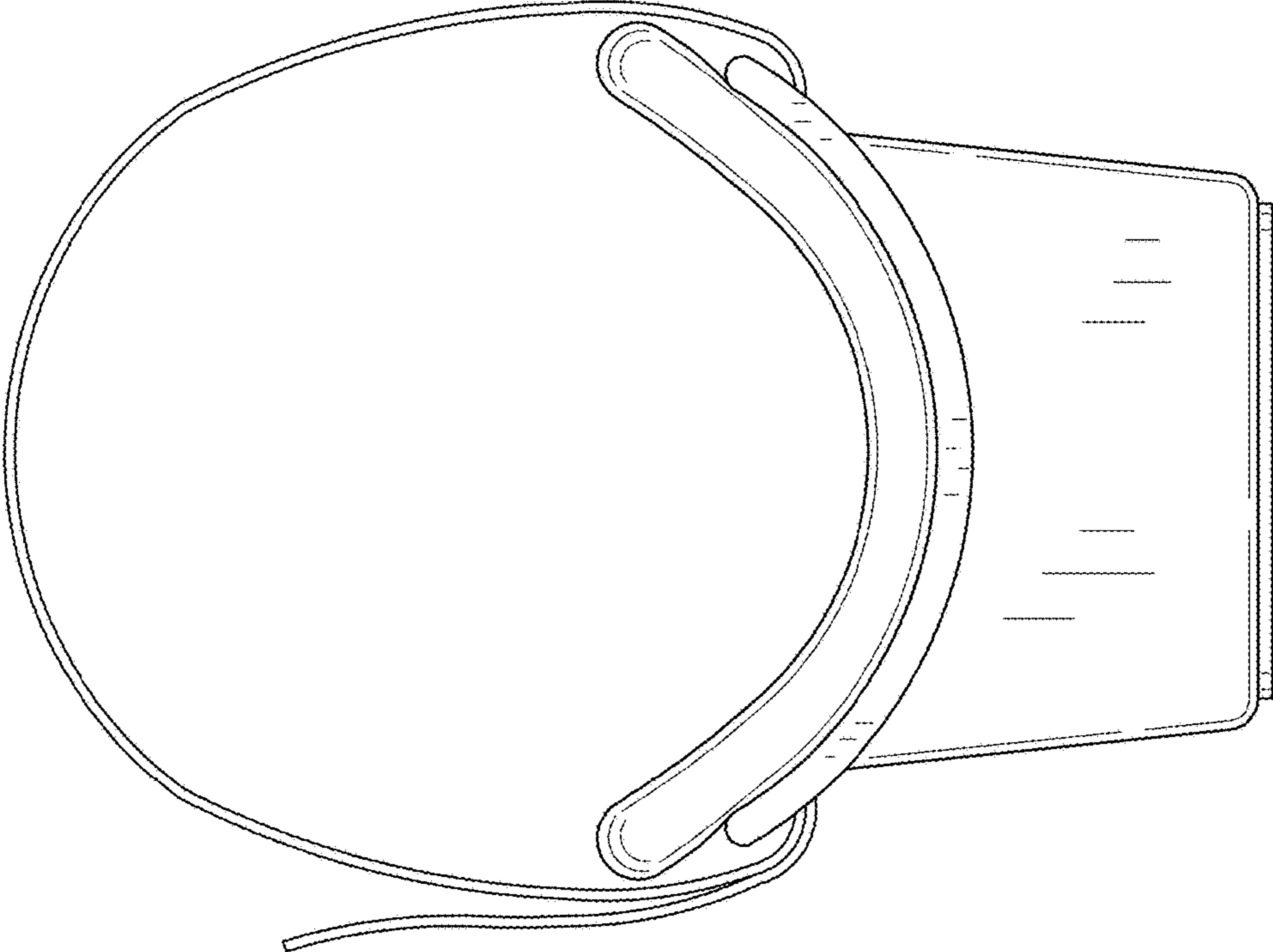


FIG. 3

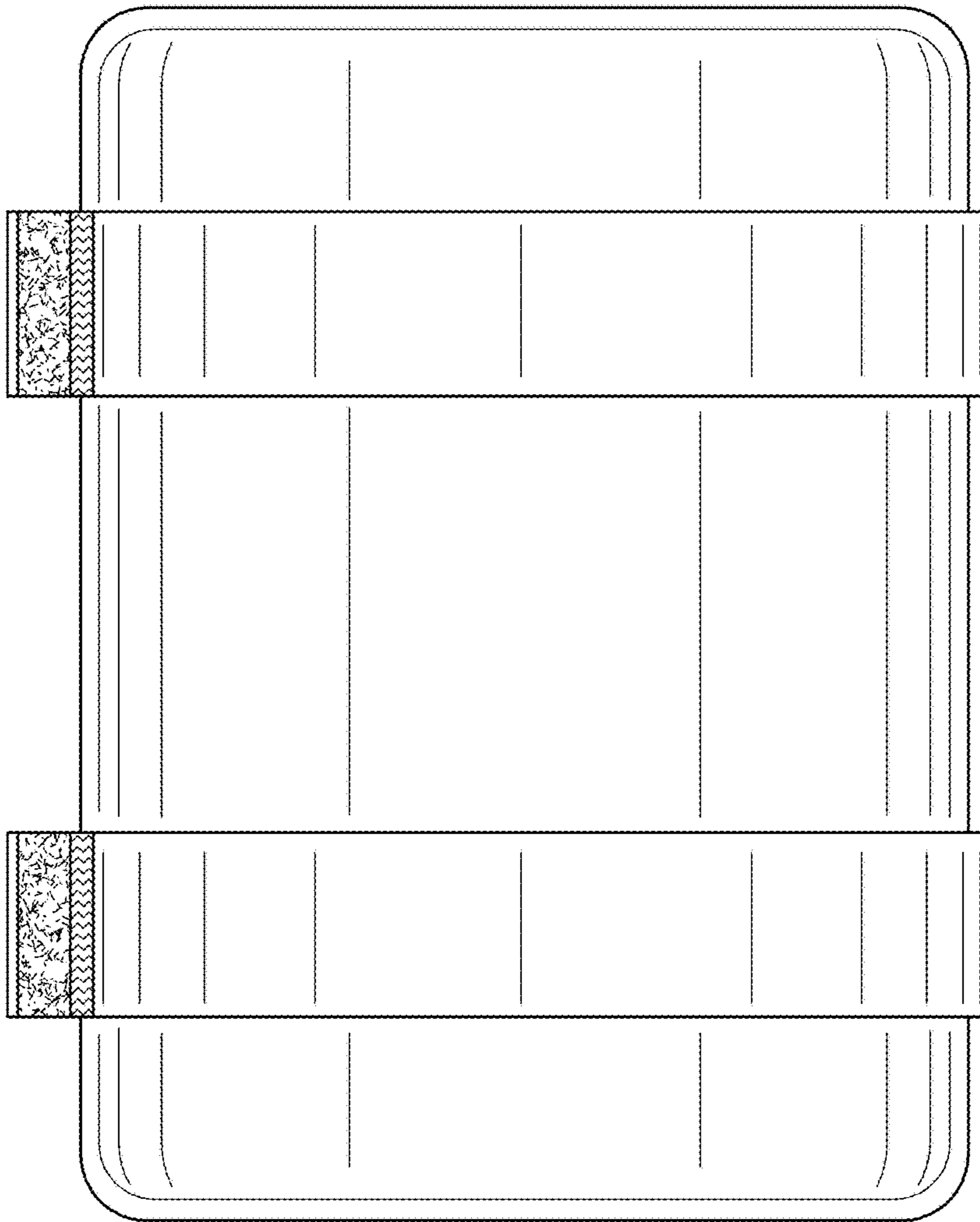


FIG. 4

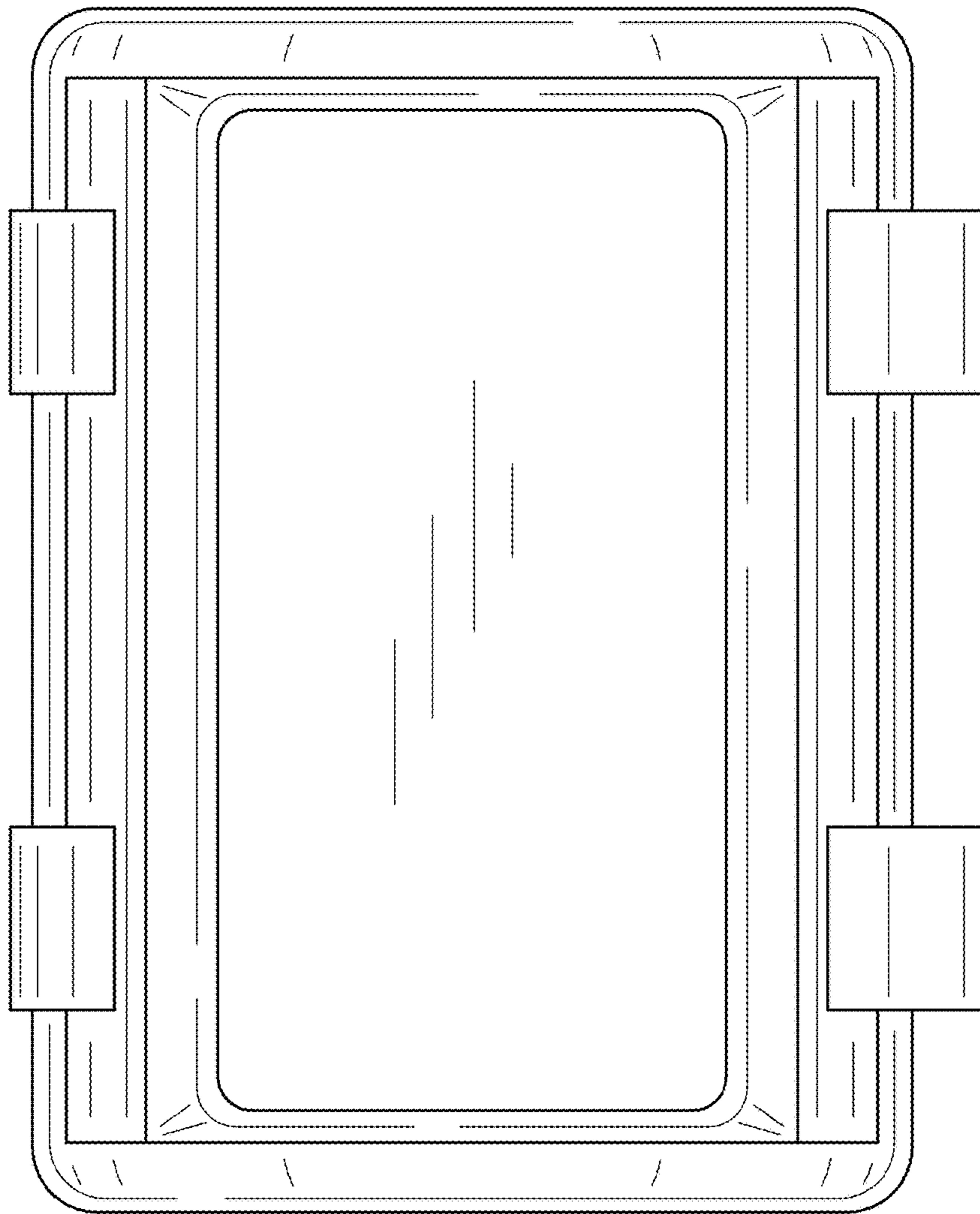


FIG. 5

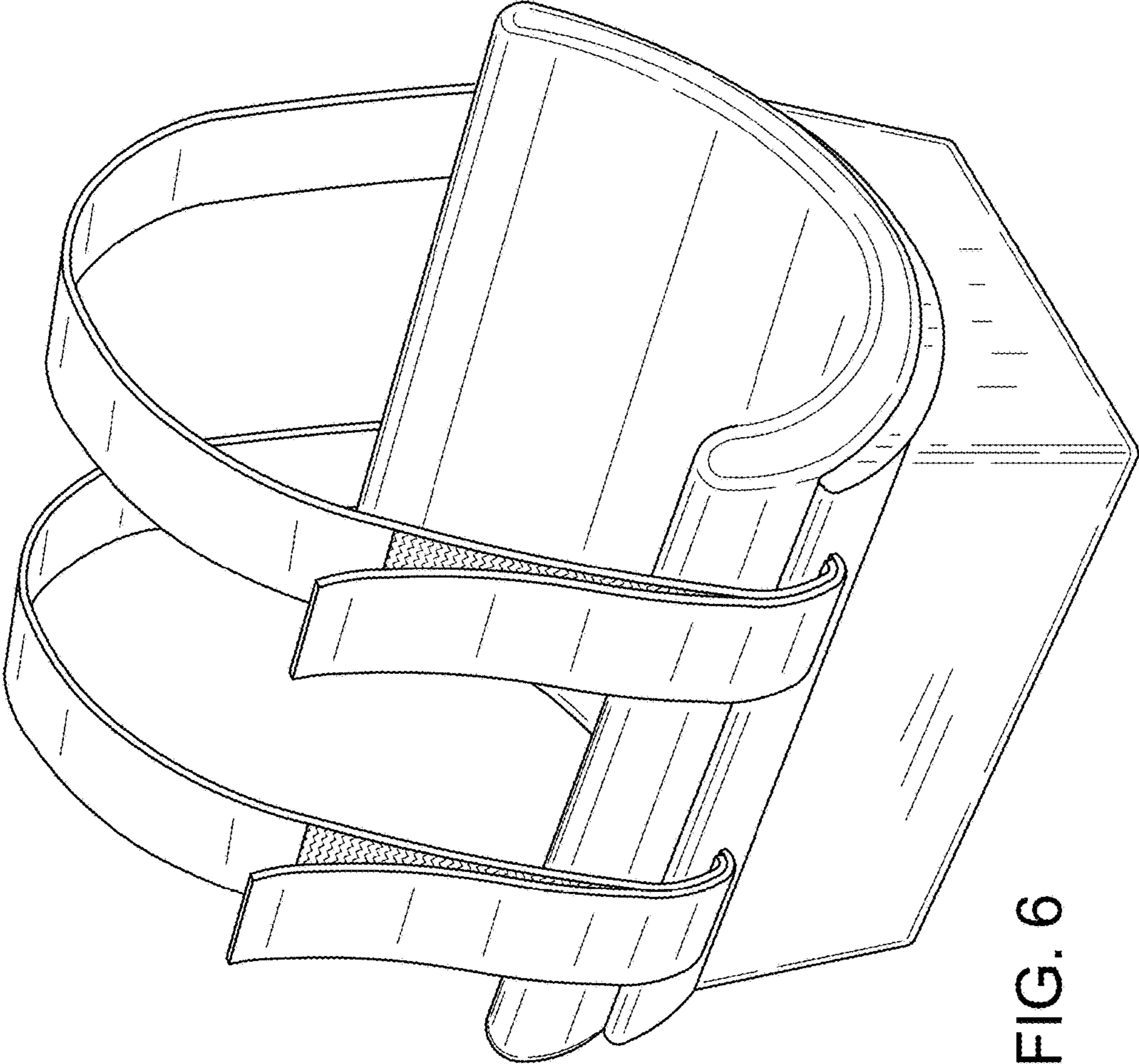


FIG. 6