



US00D823543S

(12) **United States Design Patent** (10) **Patent No.:** **US D823,543 S**  
**Smith et al.** (45) **Date of Patent:** **\*\* Jul. 17, 2018**

(54) **BEARD TRIMMER**

(56) **References Cited**

(71) Applicant: **KONINKLIJKE PHILIPS N.V.**,  
Eindhoven (NL)  
(72) Inventors: **Peter Jonathan Smith**, Amsterdam  
(NL); **Agustina Cociffi**, Amsterdam  
(NL)  
(73) Assignee: **KONINKLIJKE PHILIPS N.V.**,  
Eindhoven (NL)  
(\*\*) Term: **15 Years**  
(21) Appl. No.: **35/501,935**  
(22) Filed: **May 24, 2016**  
(80) **Hague Agreement Data**  
Int. Filing Date: **May 24, 2016**  
Int. Reg. No.: **DM/090858**  
Int. Reg. Date: **May 24, 2016**  
Int. Reg. Pub. Date: **Nov. 25, 2016**

U.S. PATENT DOCUMENTS

D305,466	S	*	1/1990	Satoh	.....	D28/49
D356,185	S	*	3/1995	Rizzuto, Jr.	.....	D28/53
D403,468	S	*	12/1998	Smith	.....	D28/53
D514,255	S	*	1/2006	Bokelman-Dumas	.....	D28/53
D521,683	S	*	5/2006	Pepall	.....	D28/53
D648,484	S	*	11/2011	Geiger	.....	D28/53
D698,084	S	*	1/2014	Yoon	.....	D28/53
D698,085	S	*	1/2014	Yoon	.....	D28/53
D698,492	S	*	1/2014	Grabes	.....	D28/53
D722,200	S	*	2/2015	Nitsch	.....	D28/53
D722,723	S	*	2/2015	Nitsch	.....	D28/53
D734,543	S	*	7/2015	Mintz	.....	D28/53
D750,325	S	*	2/2016	Nho	.....	D28/53
D750,840	S	*	3/2016	Mintz	.....	D28/53
D752,810	S	*	3/2016	Mintz	.....	D28/53
D771,314	S	*	11/2016	Andersson	.....	D28/53
D771,315	S	*	11/2016	Andersson	.....	D28/53
D784,618	S	*	4/2017	Mori	.....	D28/53
D784,619	S	*	4/2017	Mori	.....	D28/53
D799,753	S	*	10/2017	Ishikura	.....	D28/53
D800,388	S	*	10/2017	Ino	.....	D28/53
2013/0042487	A1	*	2/2013	Julemont	.....	B26B 19/063 30/277.4

(Continued)

Primary Examiner — Darlington Ly

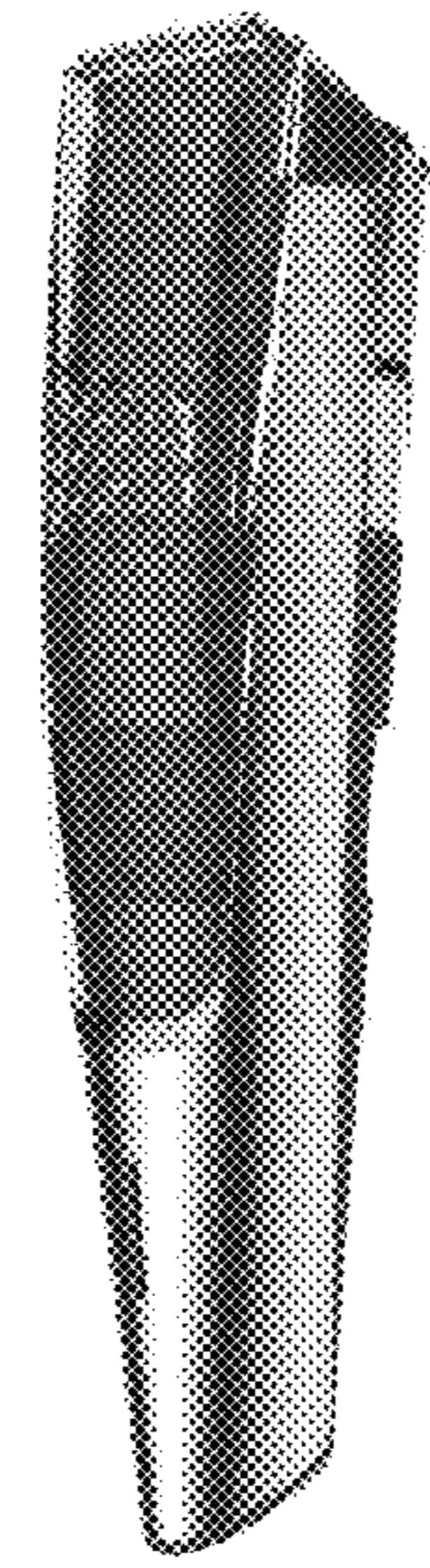
(30) **Foreign Application Priority Data**  
Dec. 11, 2015 (EM) ..... 002906040-0001  
Dec. 11, 2015 (EM) ..... 002906040-0002  
(51) **LOC (11) Cl.** ..... **28-03**  
(52) **U.S. Cl.**  
USPC ..... **D28/53**  
(58) **Field of Classification Search**  
USPC ..... D28/49-54  
CPC .... B60B 1/00; B60B 1/08; B60B 1/10; B60B  
1/12; B60B 3/04; B60B 3/06; B60B 3/10;  
B60B 3/02; B60B 7/00; B60B 7/01;  
B60B 7/02; B60B 7/04; B60B 7/06;  
B26B 19/00-19/107  
See application file for complete search history.

(57) **CLAIM**  
The ornamental design for a beard trimmer, as shown and described.

**DESCRIPTION**

- 1. Beard trimmer
- 1.1 is a perspective view showing the beard trimmer of our design;
- 1.2 is a front elevational view thereof;
- 1.3 is a rear elevational view thereof;
- 1.4 is a left side elevational view thereof;
- 1.5 is a right side elevational view thereof;
- 1.6 is a top plan view thereof; and
- 1.7 is a bottom plan view thereof.

**1 Claim, 6 Drawing Sheets**



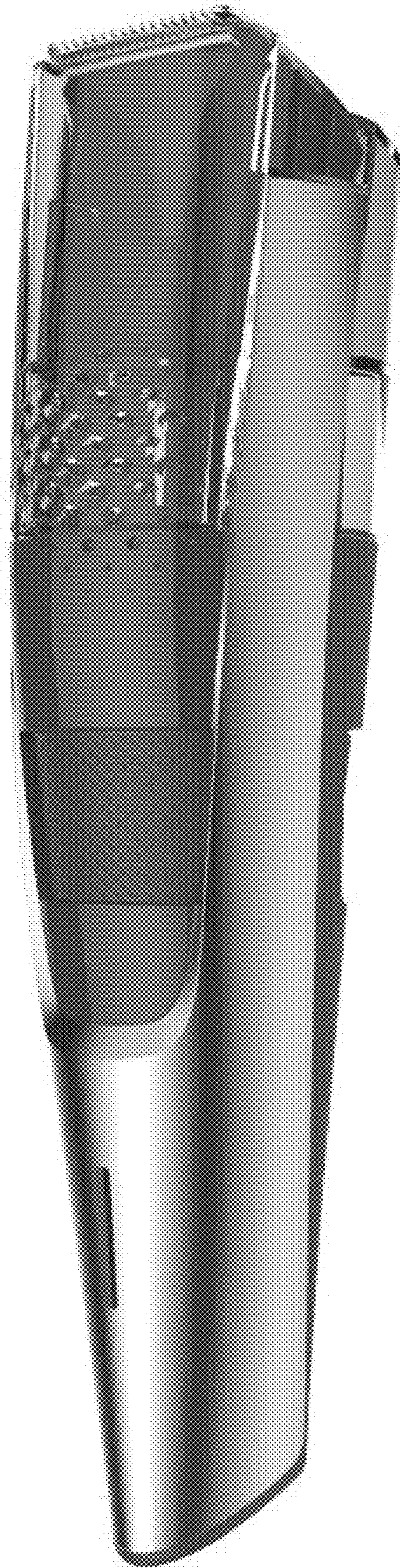
(56)

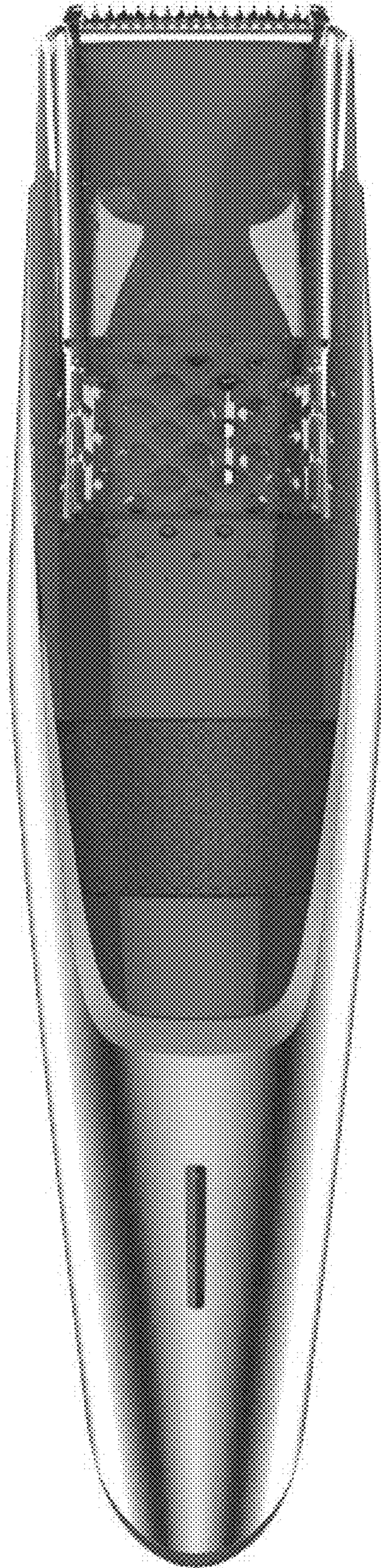
**References Cited**

U.S. PATENT DOCUMENTS

2016/0151922 A1\* 6/2016 Shimizu ..... B26B 19/282  
30/43  
2016/0176058 A1\* 6/2016 Piesker ..... B26B 19/12  
30/43.9

\* cited by examiner

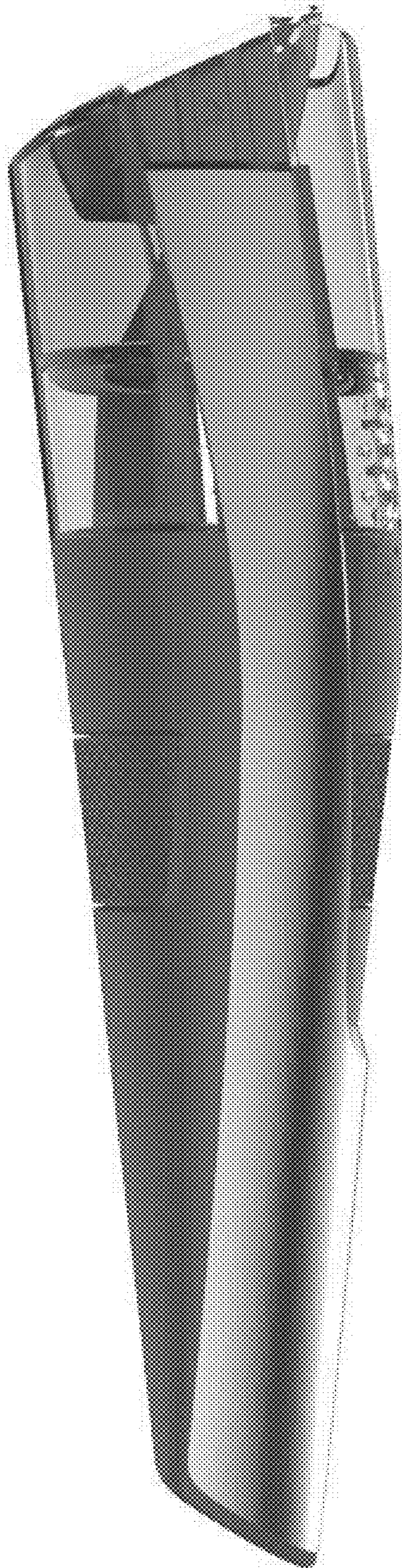


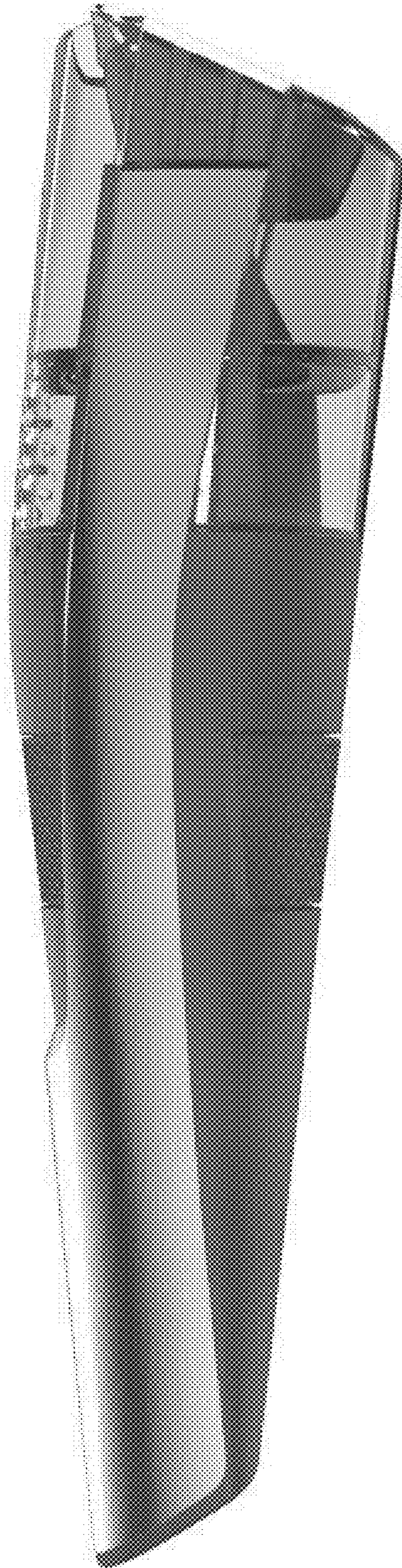


1.2



1.3





1.5



1.6



1.7