



US00D823542S

(12) **United States Design Patent**
Yan et al.

(10) **Patent No.:** **US D823,542 S**
(45) **Date of Patent:** **** Jul. 17, 2018**

(54) **RAZOR**
(71) Applicant: **Guangdong Roman Technology Co., Ltd.**, Dongguan (CN)
(72) Inventors: **Youchun Yan**, Dongguan (CN); **Guang Lu**, Dongguan (CN)
(73) Assignee: **Guangdong Roman Technology Co., Ltd.**, Dongguan (CN)
(**) Term: **15 Years**
(21) Appl. No.: **29/616,292**
(22) Filed: **Sep. 5, 2017**

(30) **Foreign Application Priority Data**
Mar. 7, 2017 (CN) 2017 3 0062960
(51) **LOC (11) Cl.** **28-03**
(52) **U.S. Cl.**
USPC **D28/50**
(58) **Field of Classification Search**
USPC D28/49-54
CPC B26B 19/00-19/107; B26B 19/12-19/22;
B26B 19/24; B26B 19/26-19/36; B26B
19/38-19/48
See application file for complete search history.

(56) **References Cited**
U.S. PATENT DOCUMENTS
D424,746 S * 5/2000 Lee D28/50
6,502,309 B2 * 1/2003 De Vries B26B 19/141
30/34.2
D637,759 S * 5/2011 Byun D28/50
D695,962 S * 12/2013 Prat-Pfister D28/50
D698,491 S * 1/2014 Ellison D28/50

D758,015 S * 5/2016 Prat-Pfister D28/50
D758,017 S * 5/2016 Smith D28/50
D777,375 S * 1/2017 Frankel D28/50
D812,301 S * 3/2018 Yan D28/50
2010/0095531 A1 * 4/2010 Akkernnan B21D 53/64
30/43.6
2018/0071927 A1 * 3/2018 Kleine Doepke B26B 19/143

OTHER PUBLICATIONS

Phisco Electric Shaver Razor for Men, www.amazon.com, reviewed Dec. 2017, 1 page (Year: 2017).*

* cited by examiner

Primary Examiner — Jennifer A Rivard
(74) *Attorney, Agent, or Firm* — Wang Law Firm, Inc.

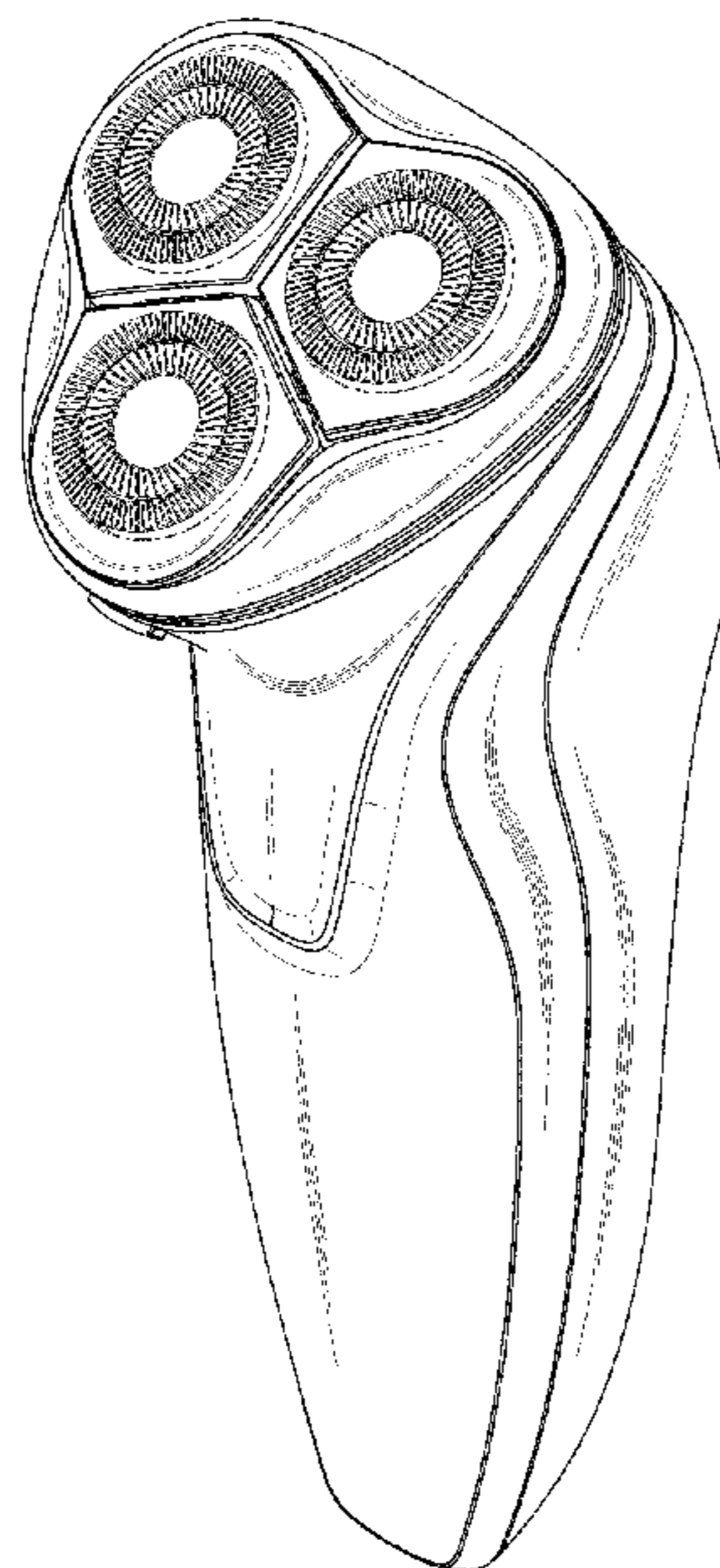
(57) **CLAIM**

The ornamental design for a razor, as shown and described.

DESCRIPTION

FIG. 1 is a perspective view of the razor showing our new design;
FIG. 2 is a front elevation view thereof;
FIG. 3 is a rear elevation view thereof;
FIG. 4 is a left side elevation view thereof;
FIG. 5 is a top plan view thereof;
FIG. 6 is a bottom plan view thereof;
FIG. 7 is a perspective view of a second embodiment of our design;
FIG. 8 is a front elevation view of FIG. 7;
FIG. 9 is a rear elevation view of FIG. 7;
FIG. 10 is a left side view of FIG. 7;
FIG. 11 is a top plan view of FIG. 7; and,
FIG. 12 is a bottom plan view of FIG. 7.
The broken lines shown in the drawings illustrate a portion of the razor and form no part of the claimed design.

1 Claim, 12 Drawing Sheets



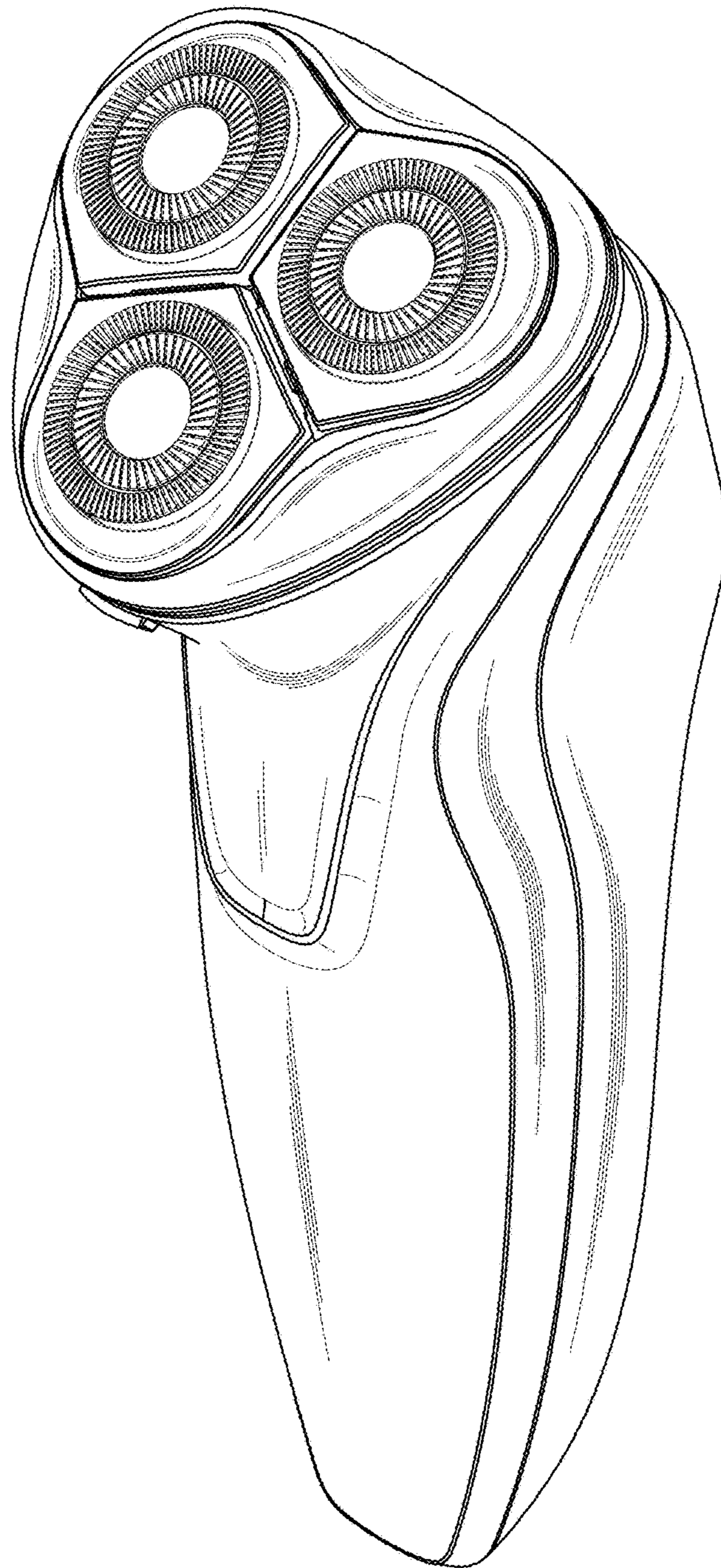


FIG.1

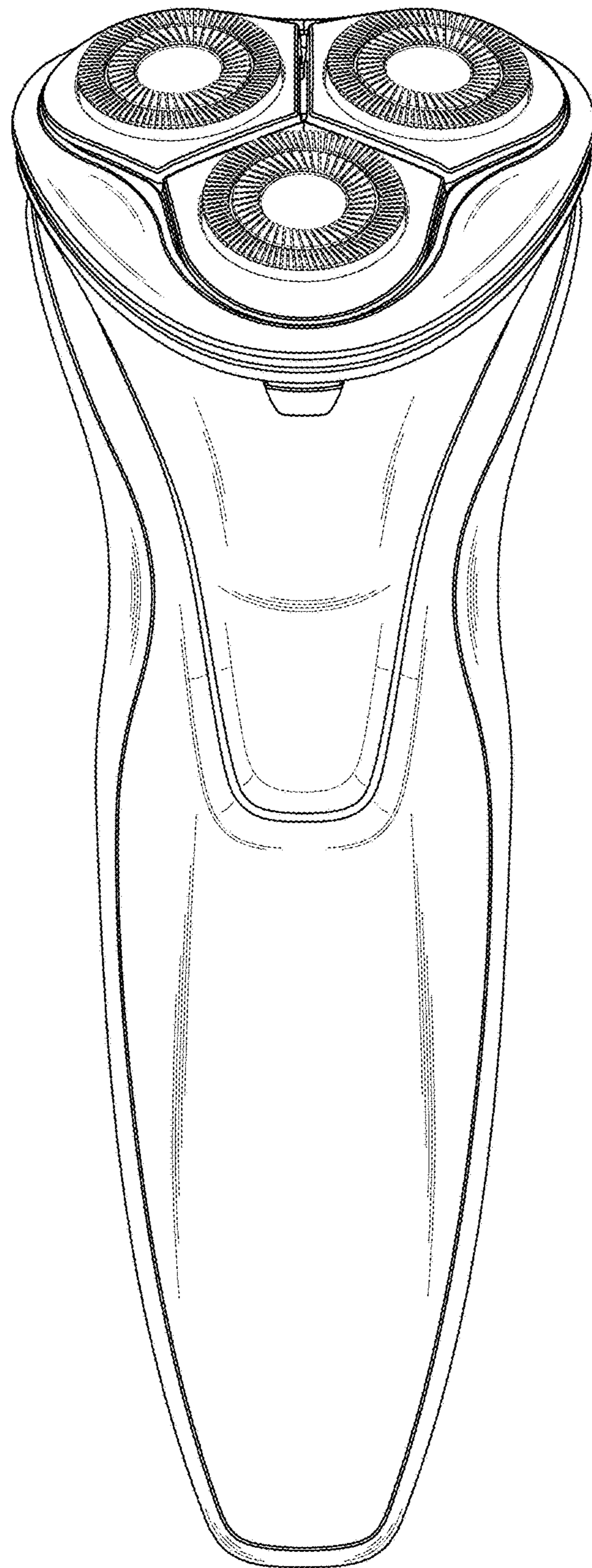


FIG.2

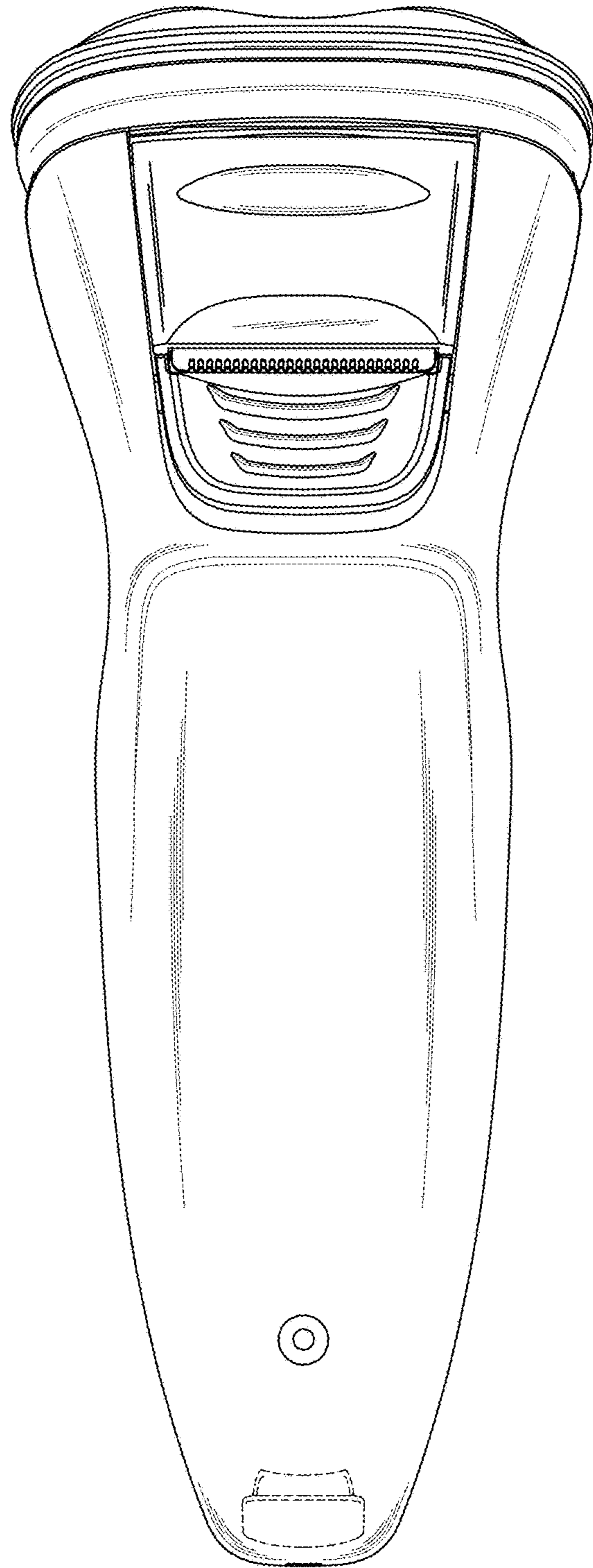


FIG.3



FIG.4

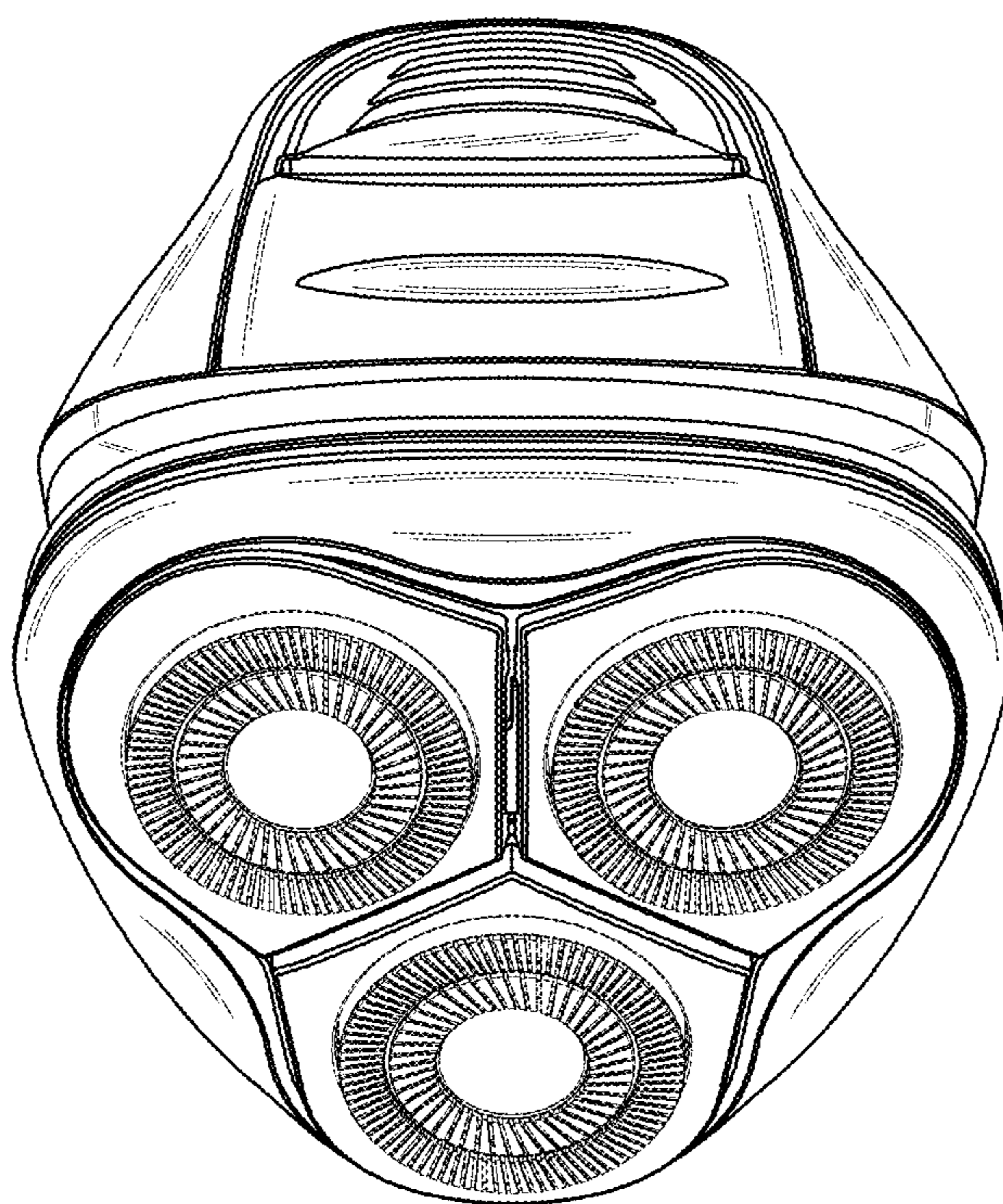


FIG.5

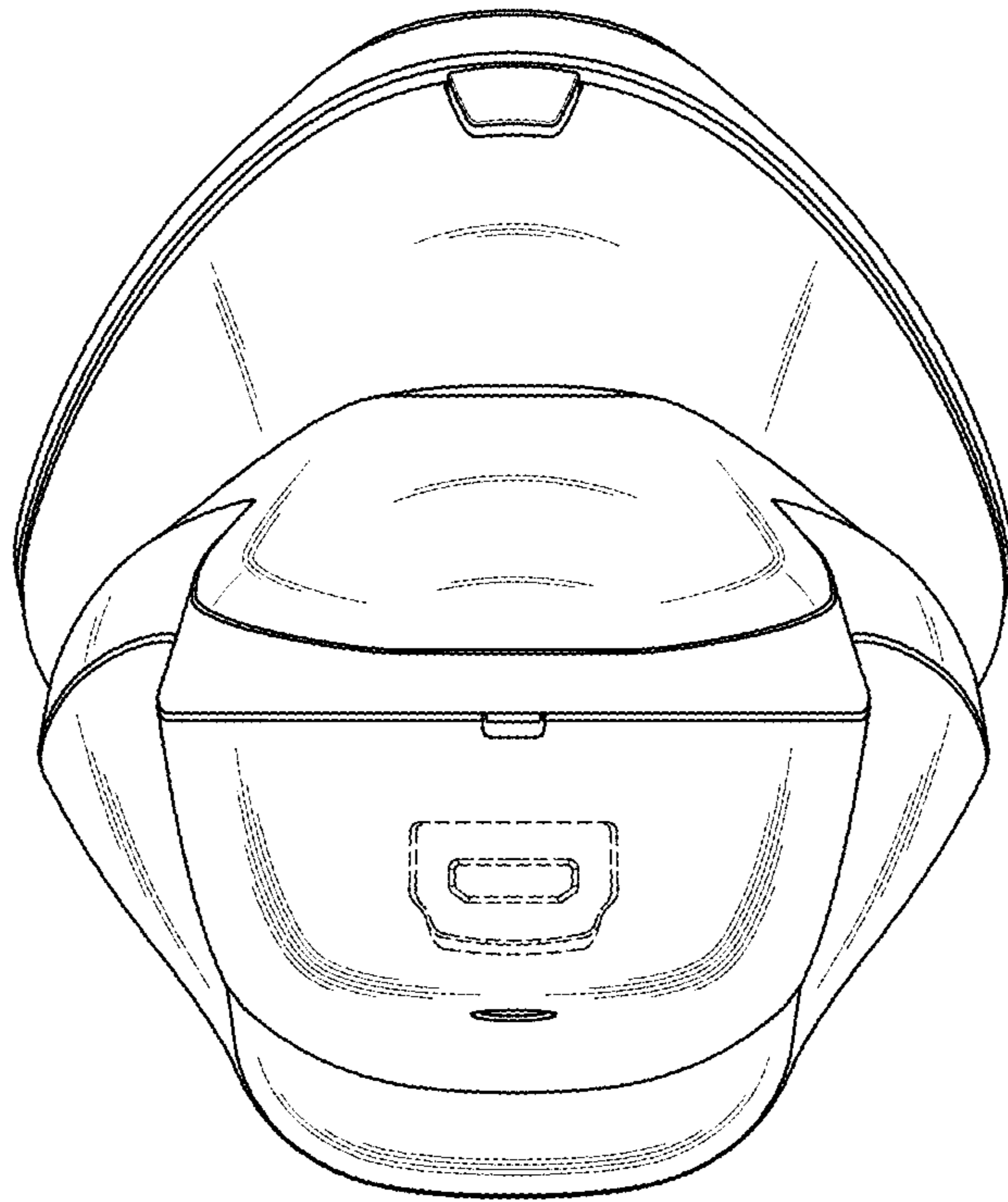


FIG.6

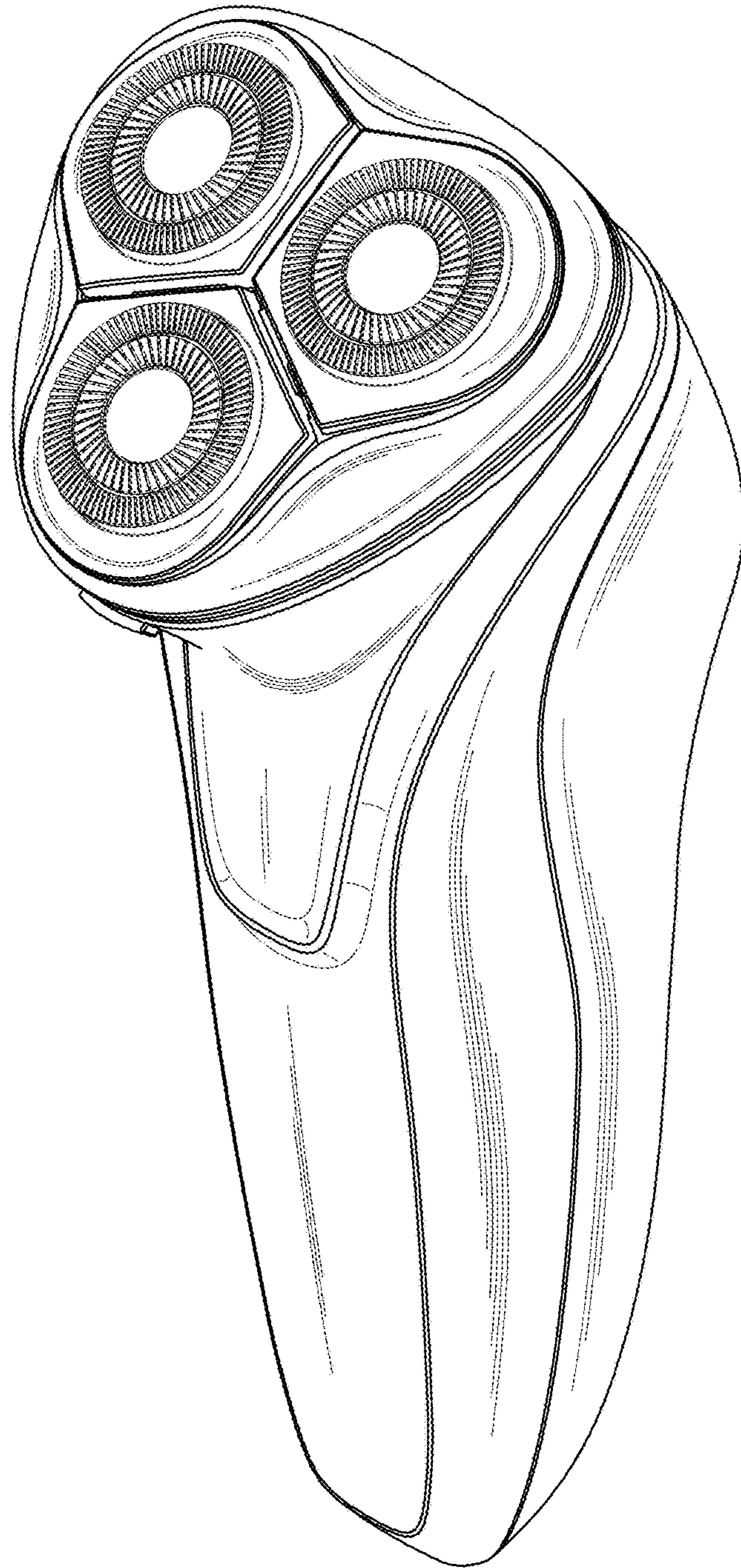


FIG.7

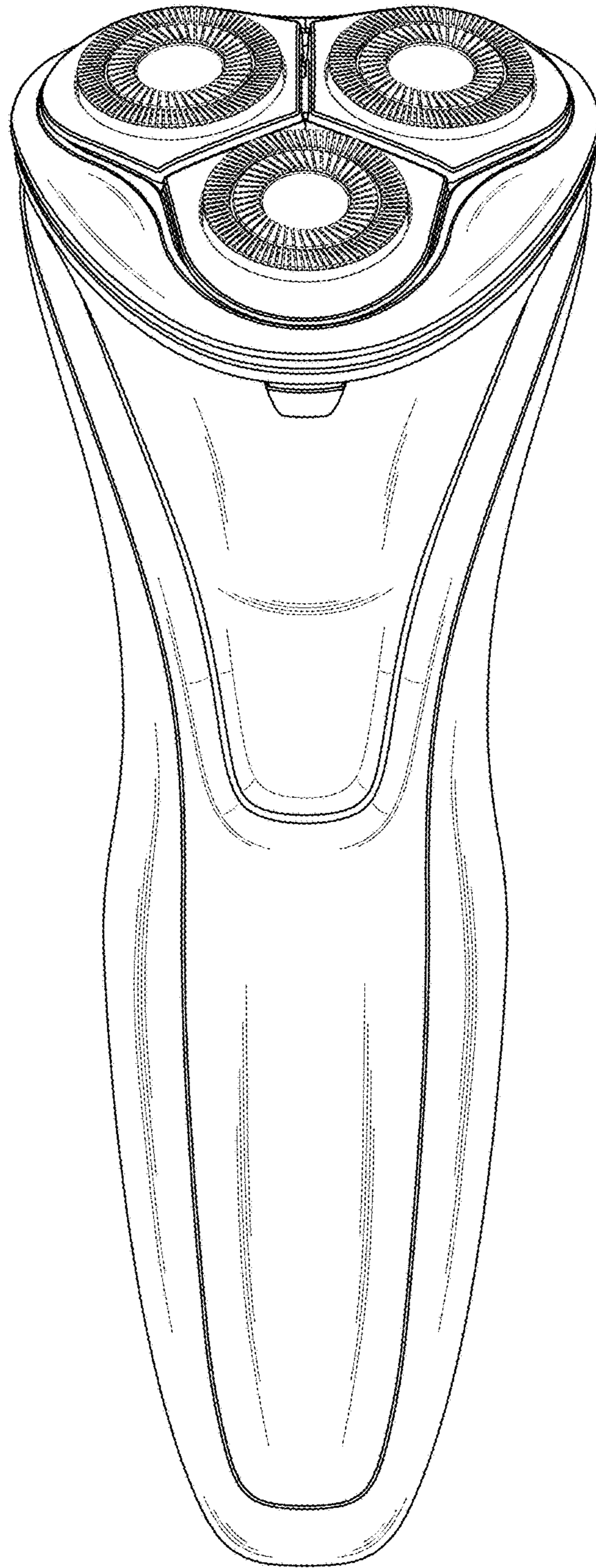


FIG.8

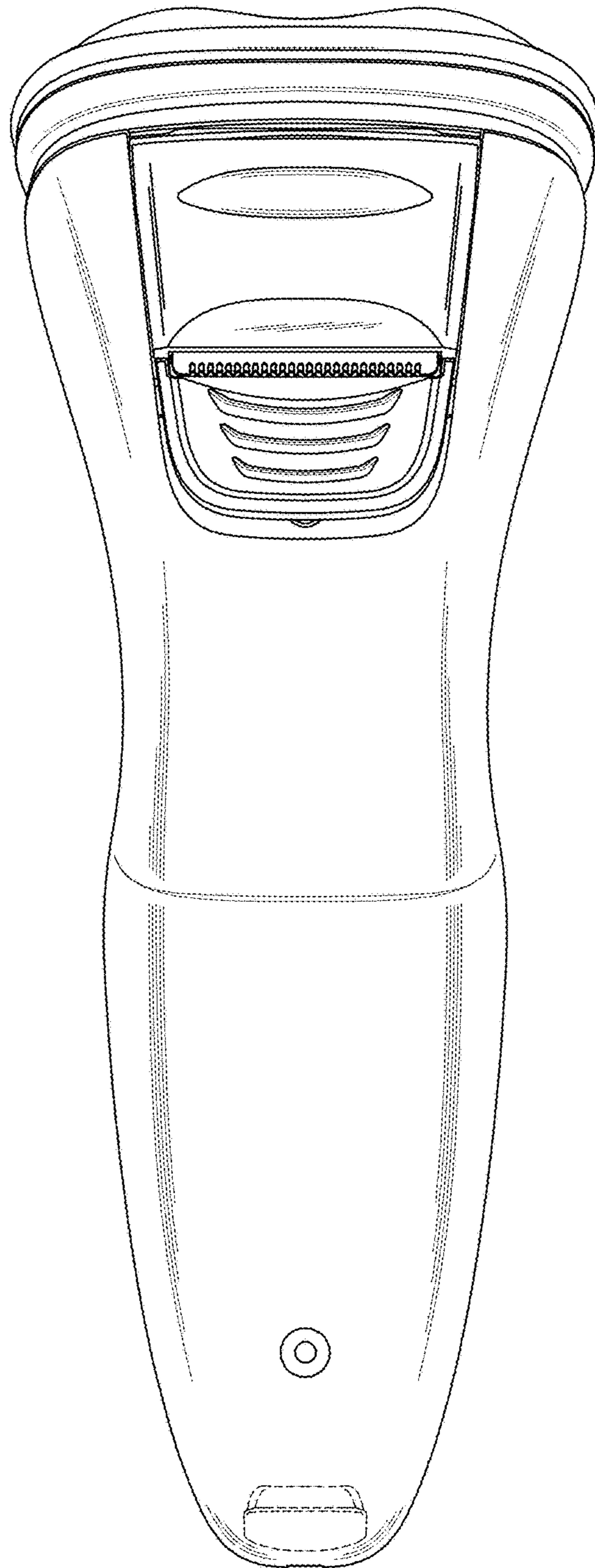


FIG.9



FIG.10

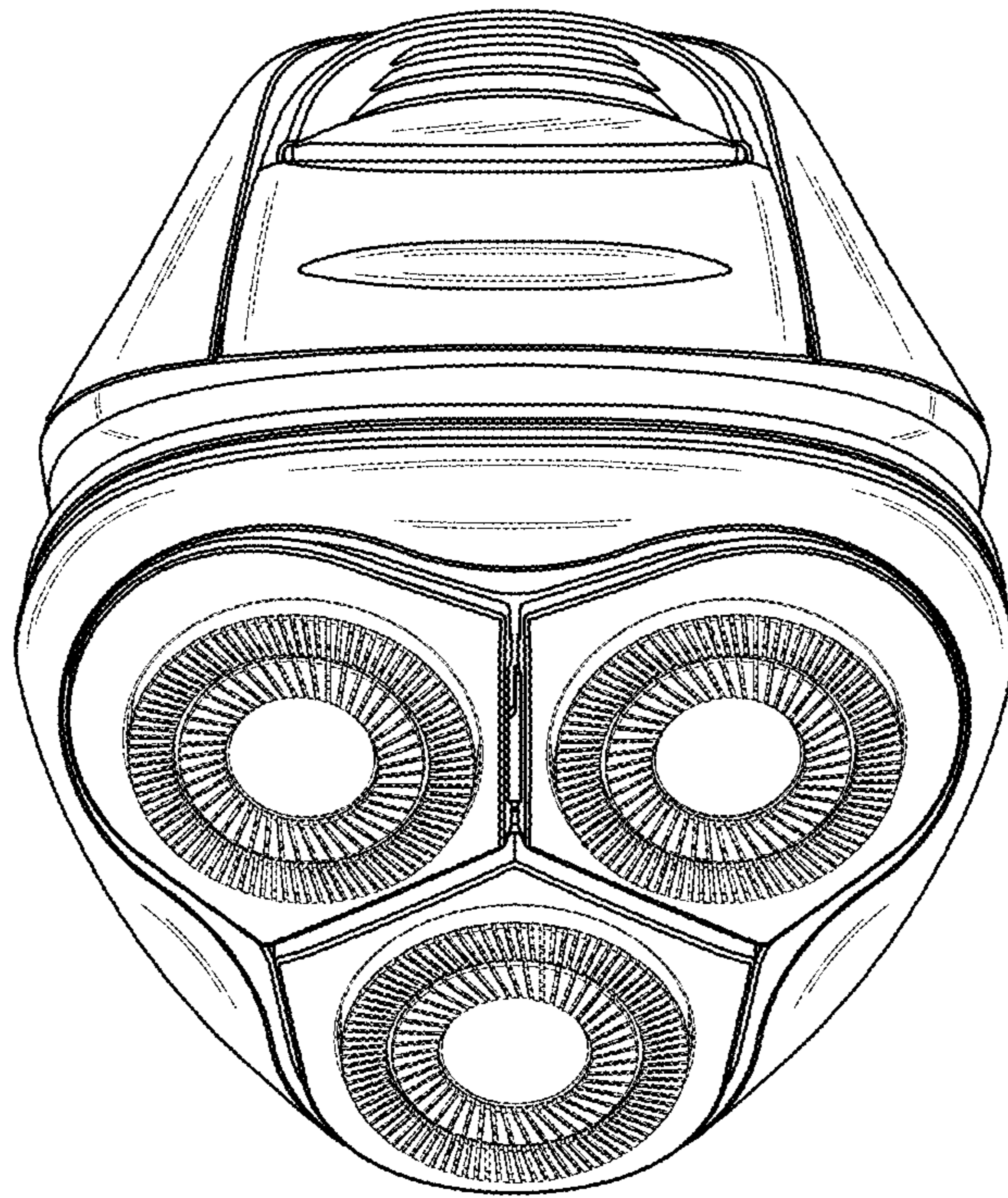


FIG.11

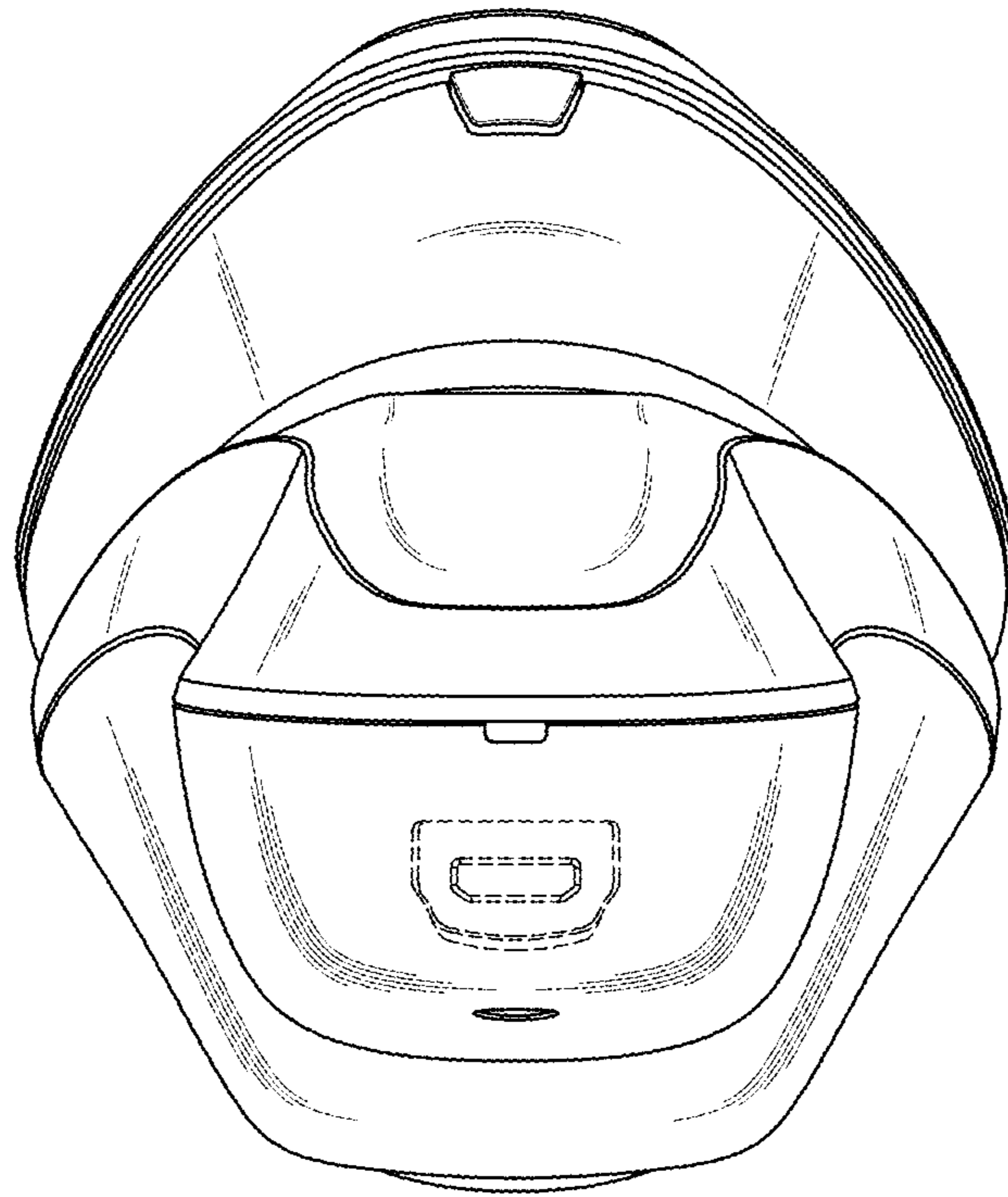


FIG.12