



US00D823541S

(12) **United States Design Patent**
Wertz

(10) **Patent No.:** **US D823,541 S**
(45) **Date of Patent:** **** Jul. 17, 2018**

- (54) **SHAVING RAZOR**
- (71) Applicant: **Zachary Ryan Wertz**, South Lebanon, OH (US)
- (72) Inventor: **Zachary Ryan Wertz**, South Lebanon, OH (US)
- (**) Term: **15 Years**
- (21) Appl. No.: **29/564,584**
- (22) Filed: **May 13, 2016**
- (51) **LOC (11) Cl.** **28-03**
- (52) **U.S. Cl.**
USPC **D28/46**
- (58) **Field of Classification Search**
USPC D28/44, 45-48
CPC B26B 21/00-21/06; B26B 21/08-21/4031;
B26B 21/4043; B26B 21/4062; B26B
21/4068-21/4075
See application file for complete search history.

- 8,261,451 B2 * 9/2012 Macove B26B 21/22
30/34.1
- 8,524,207 B2 * 9/2013 Ellis A61K 8/02
424/70.11
- D724,270 S * 3/2015 Sims D28/48
- 8,973,272 B2 * 3/2015 Moon B26B 21/225
30/41
- D729,453 S * 5/2015 Provost D28/48
- D772,484 S * 11/2016 Otsuka D28/47

* cited by examiner

Primary Examiner — Jennifer Rivard
(74) *Attorney, Agent, or Firm* — Jenei LLC

(57) **CLAIM**

The ornamental design for the shaving razor, as shown and described.

DESCRIPTION

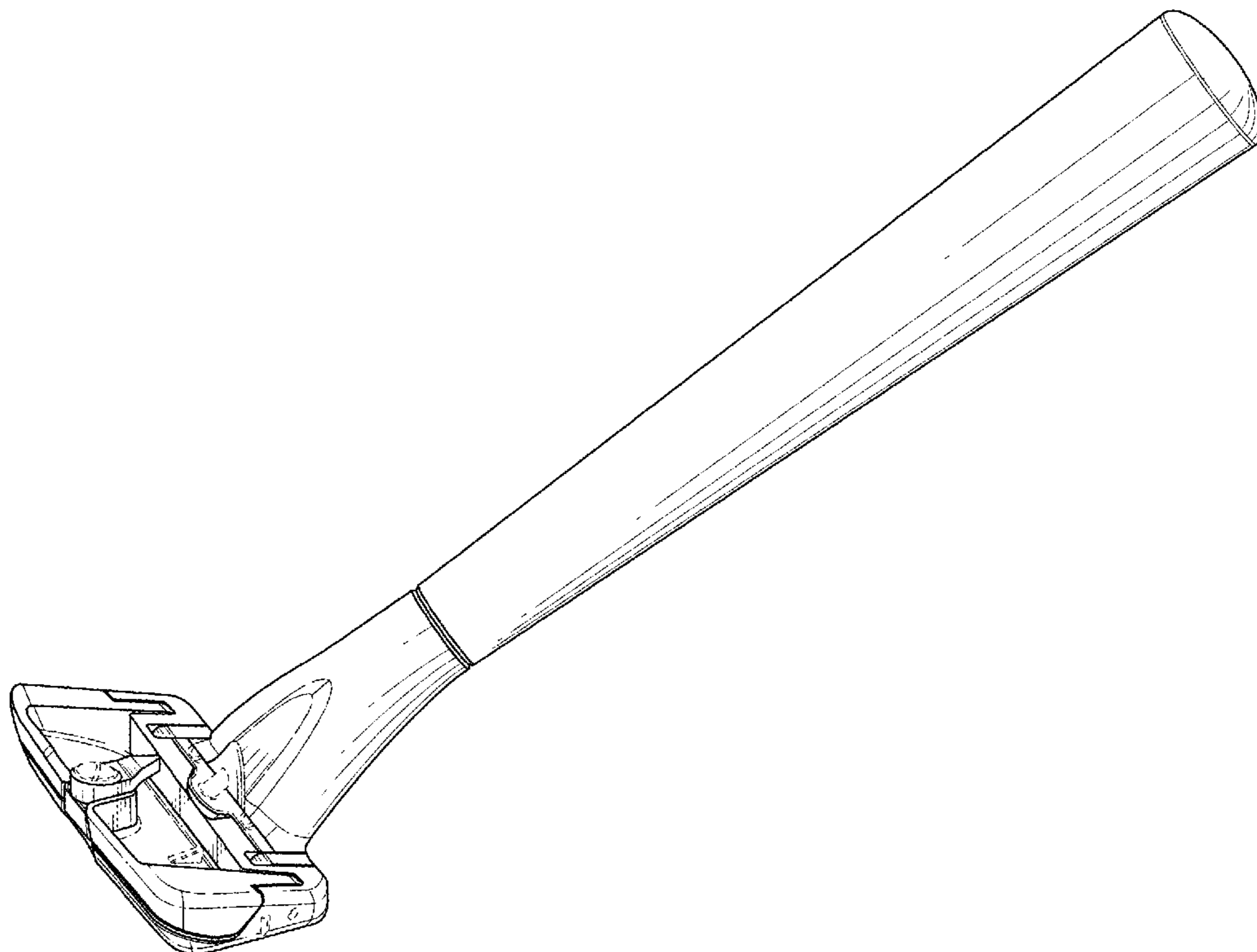
FIG. 1 is a top perspective view of the shaving razor, showing the new design;
FIG. 2 is a front view of the shaving razor;
FIG. 3 is a rear view of the shaving razor;
FIG. 4 is a side view of the shaving razor;
FIG. 5 is a top view of the shaving razor;
FIG. 6 is a bottom view of the shaving razor; and,
FIG. 7 is a bottom perspective view of the shaving razor, showing the new design.
The broken lines illustrate portions of the safety razor and form no part of the claimed design.

1 Claim, 5 Drawing Sheets

(56) **References Cited**

U.S. PATENT DOCUMENTS

- D542,972 S * 5/2007 Pryor D28/47
- D563,046 S * 2/2008 Provost D28/48
- D567,442 S * 4/2008 McMullan D28/46
- D638,580 S * 5/2011 Adams D28/46
- D656,676 S * 3/2012 Cavazos Jimenez D28/48
- D656,677 S * 3/2012 Cavazos Jimenez D28/48



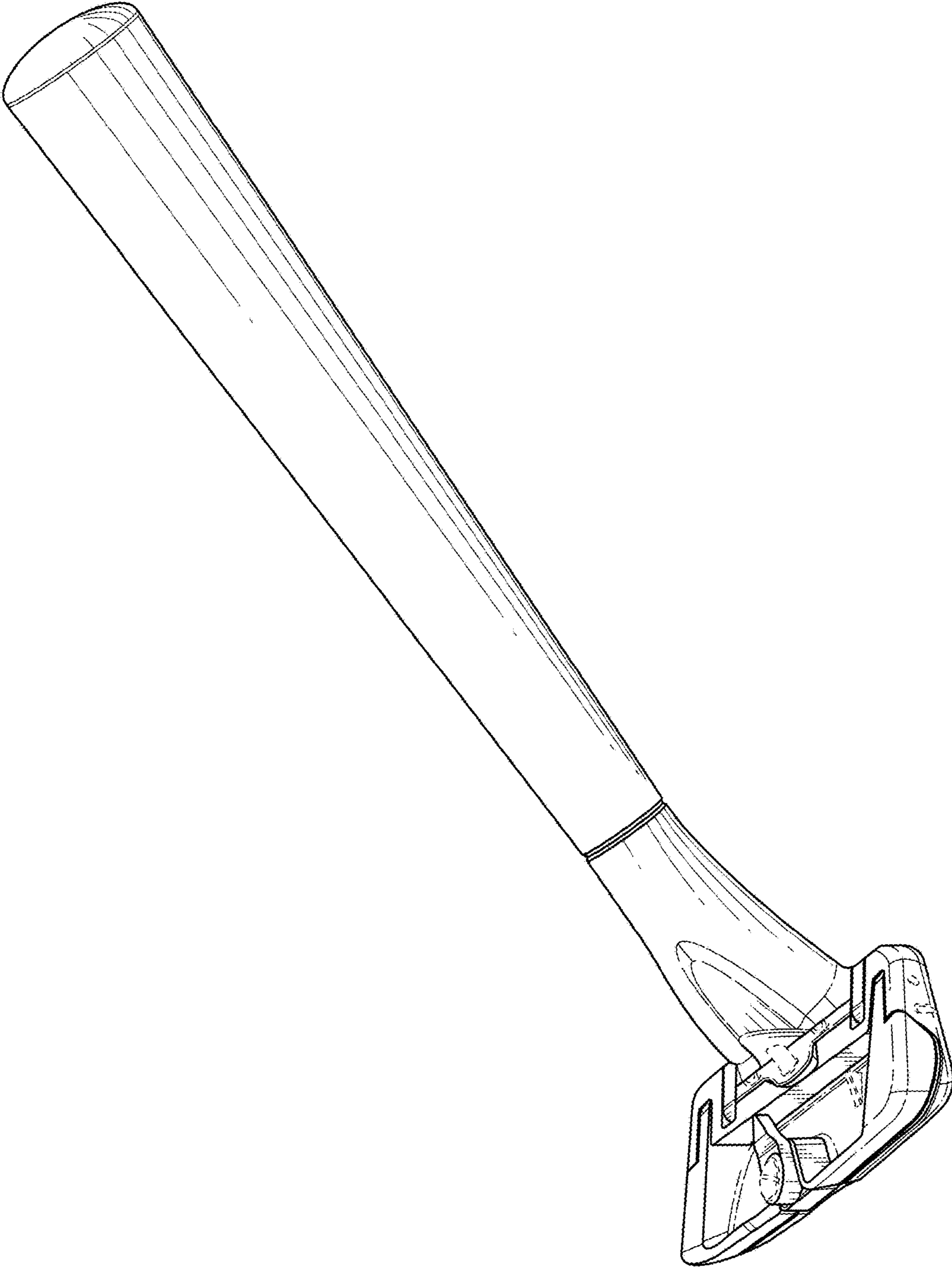


FIG. 1

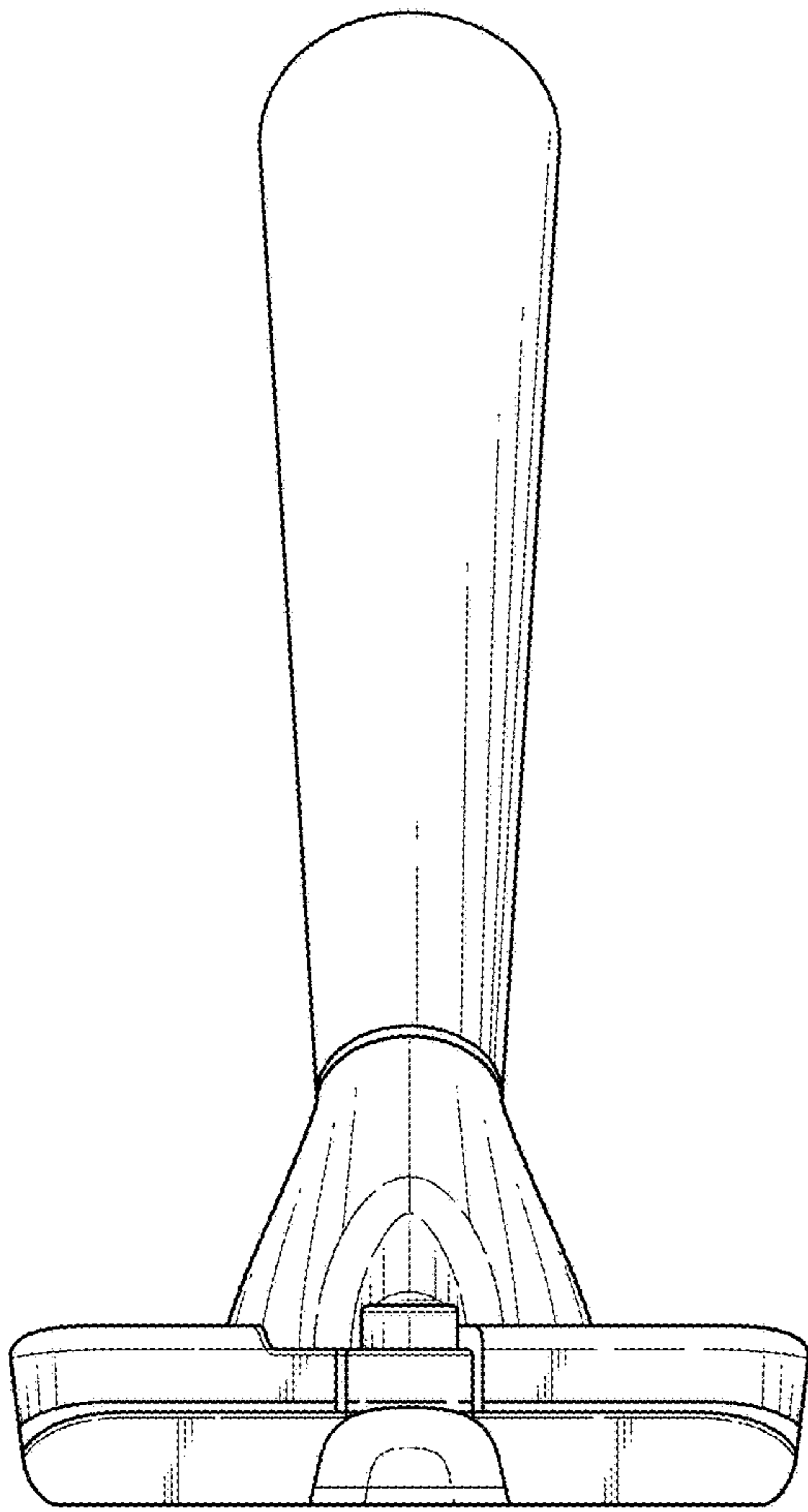


FIG. 2

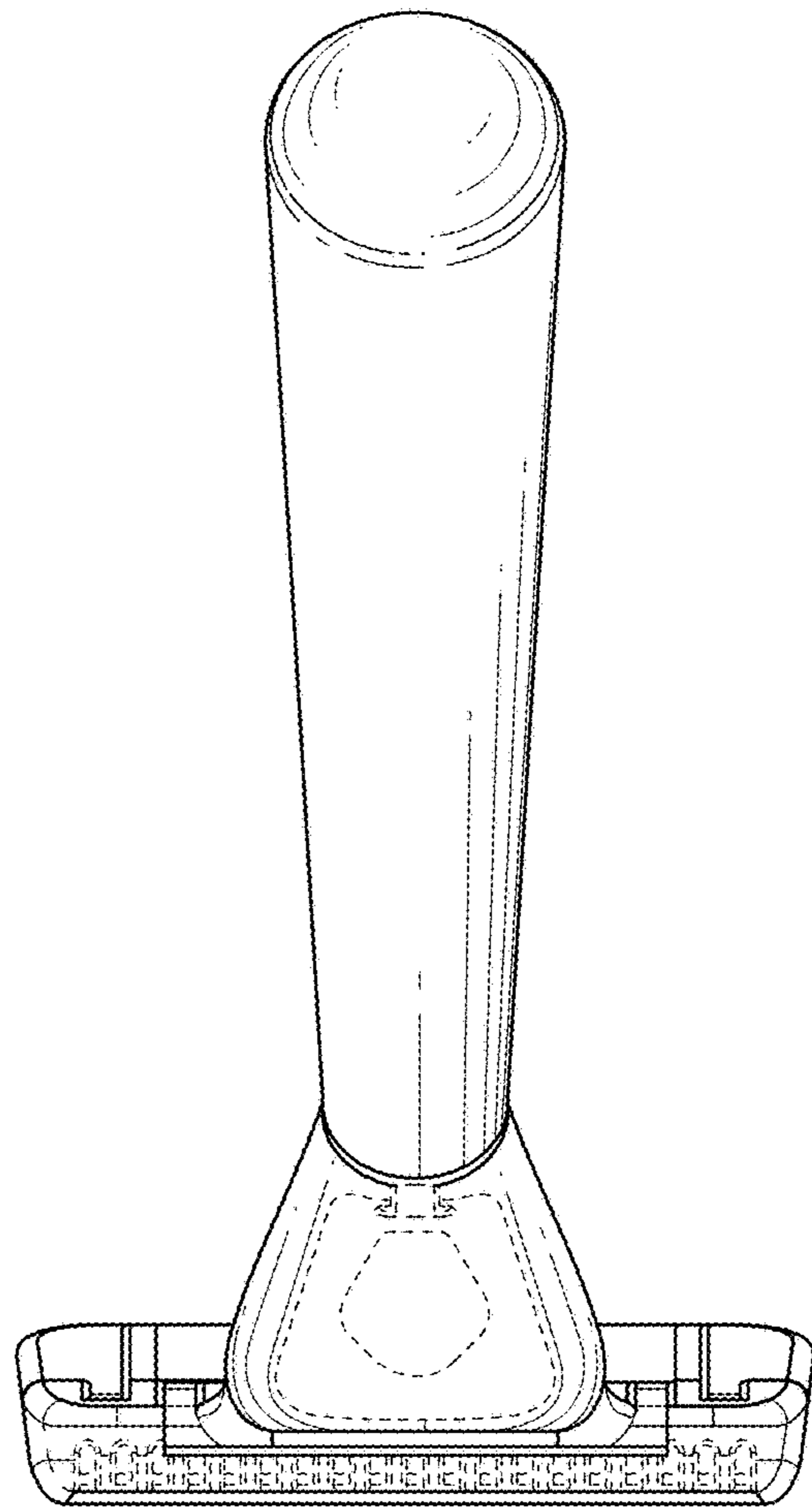


FIG. 3

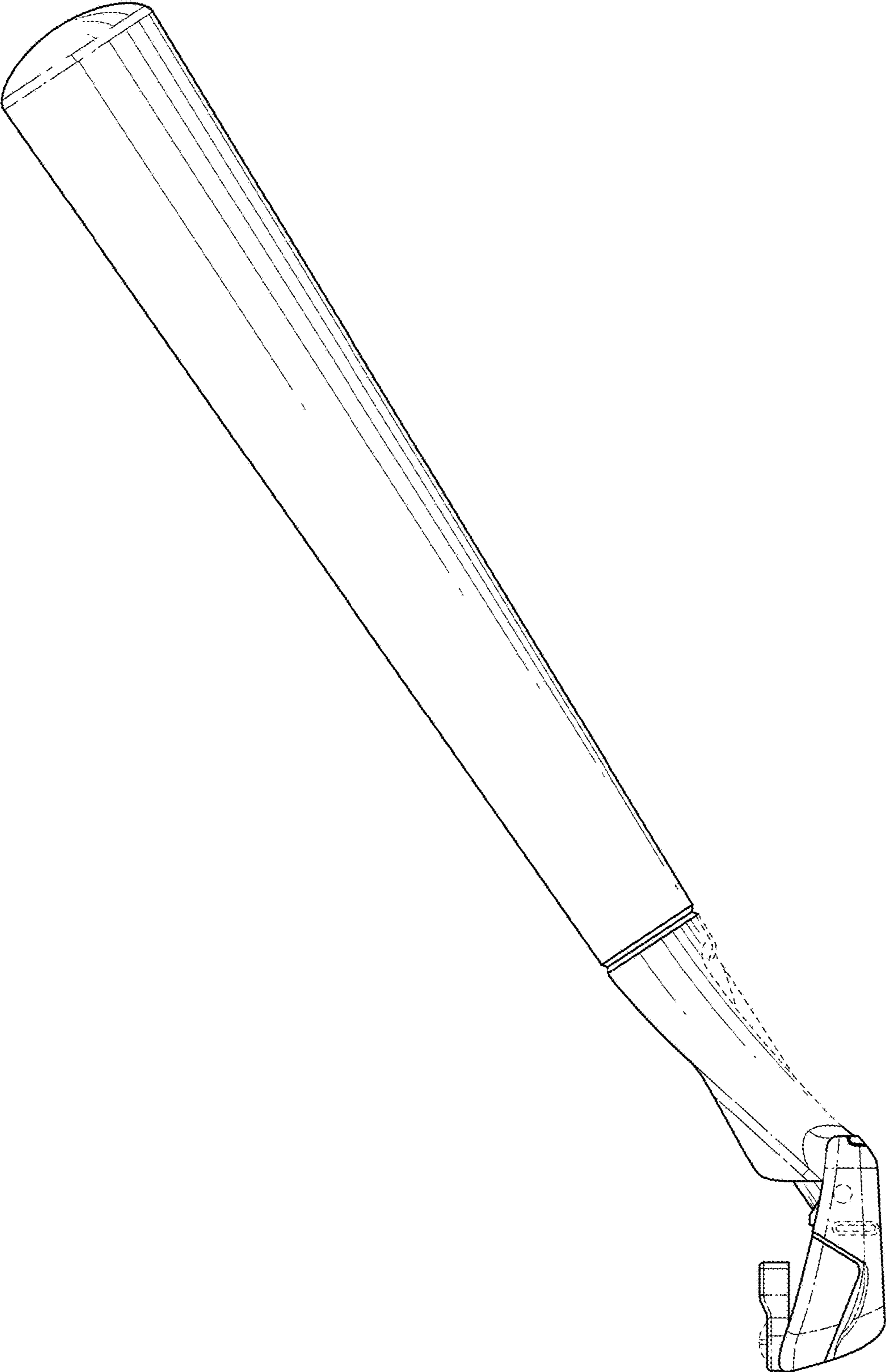


FIG. 4

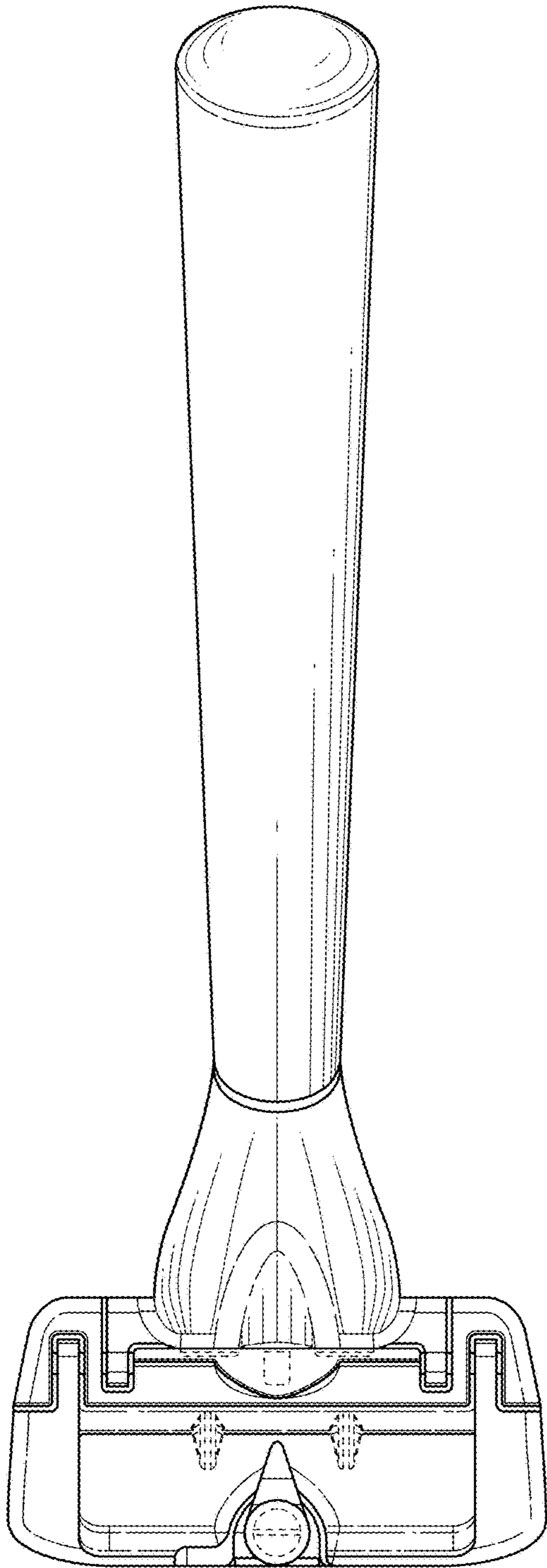


FIG. 5

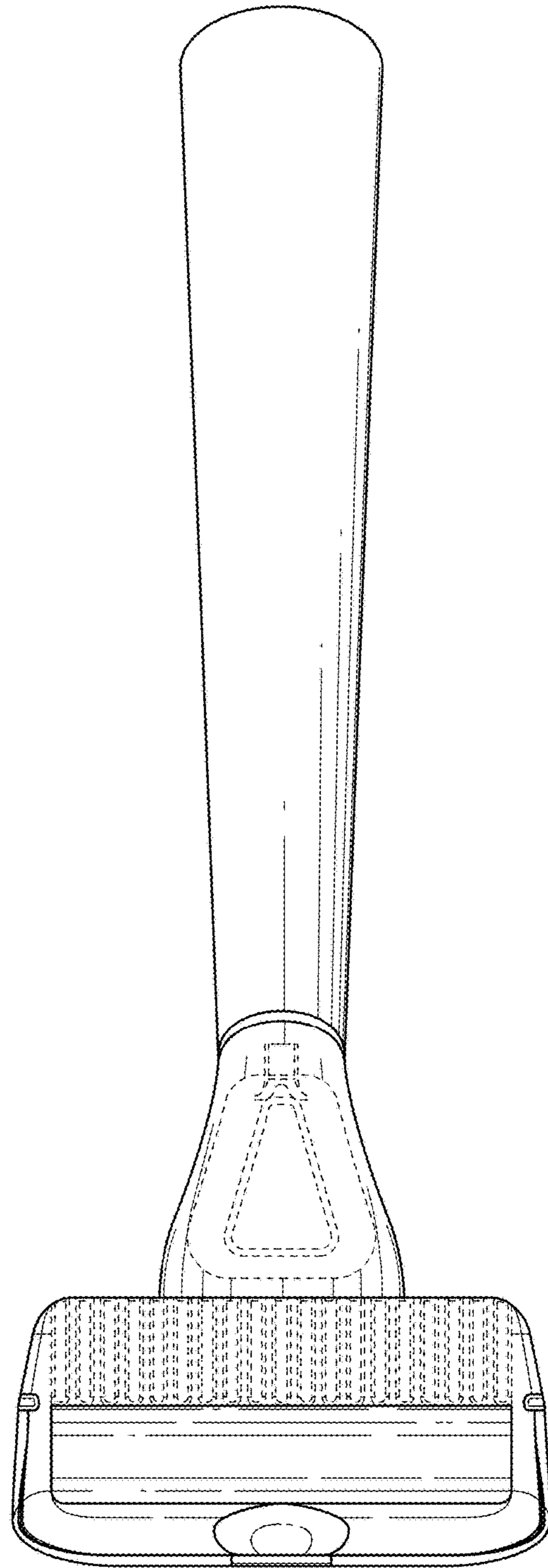


FIG. 6

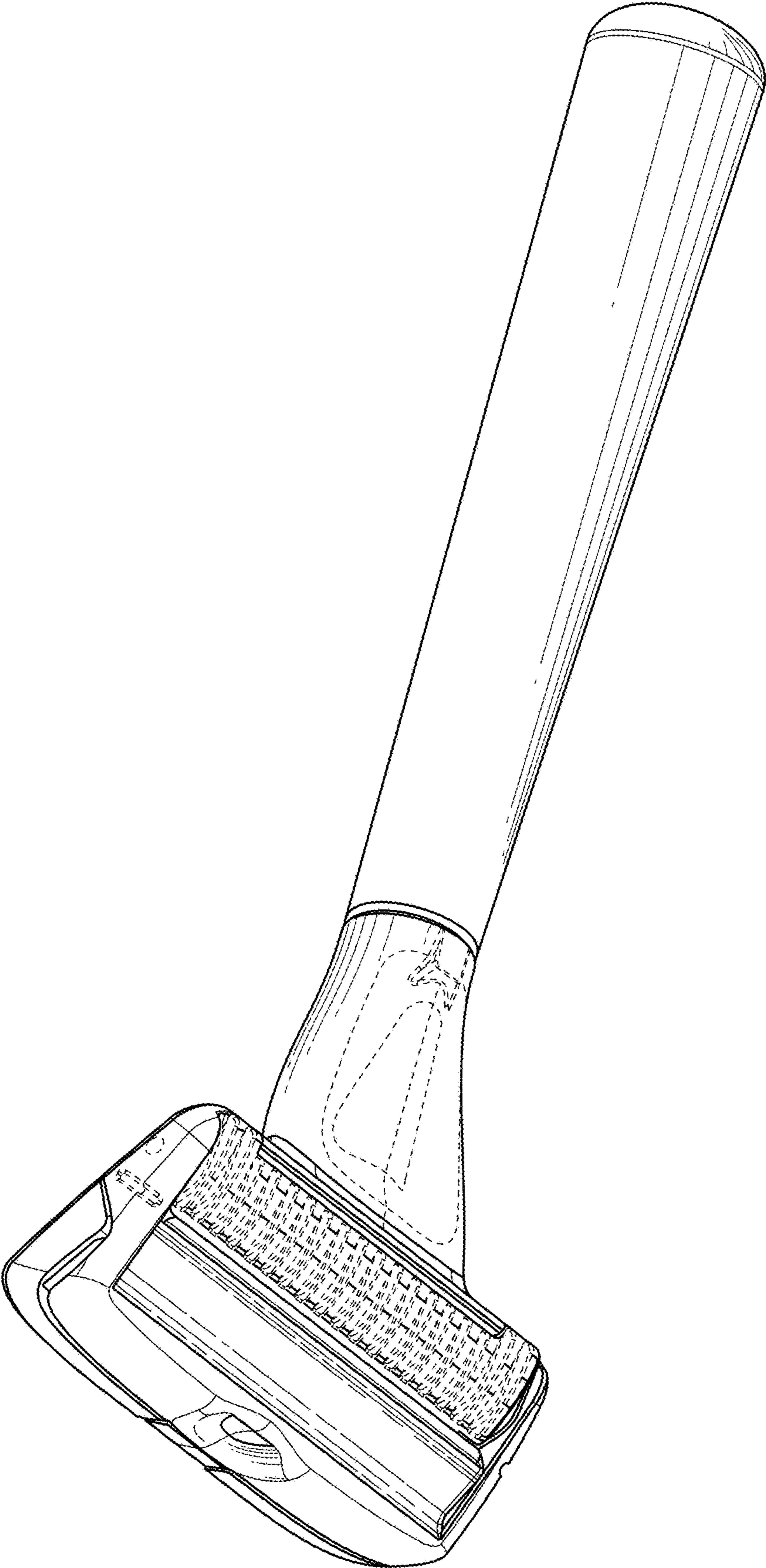


FIG. 7