



US00D823539S

(12) **United States Design Patent**
Link et al.

(10) **Patent No.:** **US D823,539 S**
(45) **Date of Patent:** **** Jul. 17, 2018**

- (54) **DETERGENT POUCH**
- (71) Applicant: **Reckitt Benckiser Finish B.V.**,
Hoofddorp (NL)
- (72) Inventors: **Rainer Link**, Heidelberg (DE); **Randy Bos**, Eindhoven (NL); **Taco Dietvorst**,
Eindhoven (NL); **Karin Dulker**,
Eindhoven (NL)
- (73) Assignee: **RECKITT BENCKISER FINISH B.V.**,
hoofddorp (NL)
- (**) Term: **15 Years**

D595,592 S *	7/2009	Beyer	D9/707
D599,056 S *	8/2009	Schwartz	D28/8.1
D679,863 S *	4/2013	Sunder	D28/8.1
D695,451 S *	12/2013	Gerhards	D28/8.1
D728,157 S *	4/2015	Sarb	D28/8.1
D732,735 S *	6/2015	Nixon	D28/8.1
D733,962 S *	7/2015	Sunder	D28/8.1
D735,407 S *	7/2015	Gerhards	D28/8.1
D764,944 S *	8/2016	Timm	D9/707
D774,249 S *	12/2016	McLenithan	D28/8.1
D796,736 S *	9/2017	Burdeos Andreu	D28/8.1
D811,007 S *	2/2018	Link	D28/8.1
D811,008 S *	2/2018	Link	D28/8.1
D811,656 S *	2/2018	Link	D28/8.1
D816,268 S *	4/2018	Link	D28/8.1

* cited by examiner

- (21) Appl. No.: **29/636,782**
- (22) Filed: **Feb. 12, 2018**

Primary Examiner — Jennifer Rivard
(74) *Attorney, Agent, or Firm* — Troutman Sanders LLP;
Ryan Schneider; Chris Davis

Related U.S. Application Data

- (63) Continuation of application No. 29/581,673, filed on Oct. 20, 2016, now Pat. No. Des. 811,008.
- (51) **LOC (11) Cl.** **28-02**
- (52) **U.S. Cl.**
USPC **D28/8.1**; D9/426; D9/707
- (58) **Field of Classification Search**
USPC D28/4, 8.1–8.2; D9/707–708, 426
CPC . C11D 17/00; C11D 17/0017; C11D 17/0026;
C11D 17/0047–17/0095; C11D 13/18;
C11D 13/20; C11D 17/02
See application file for complete search history.

(57) **CLAIM**

The ornamental design for a detergent pouch, as shown and described.

DESCRIPTION

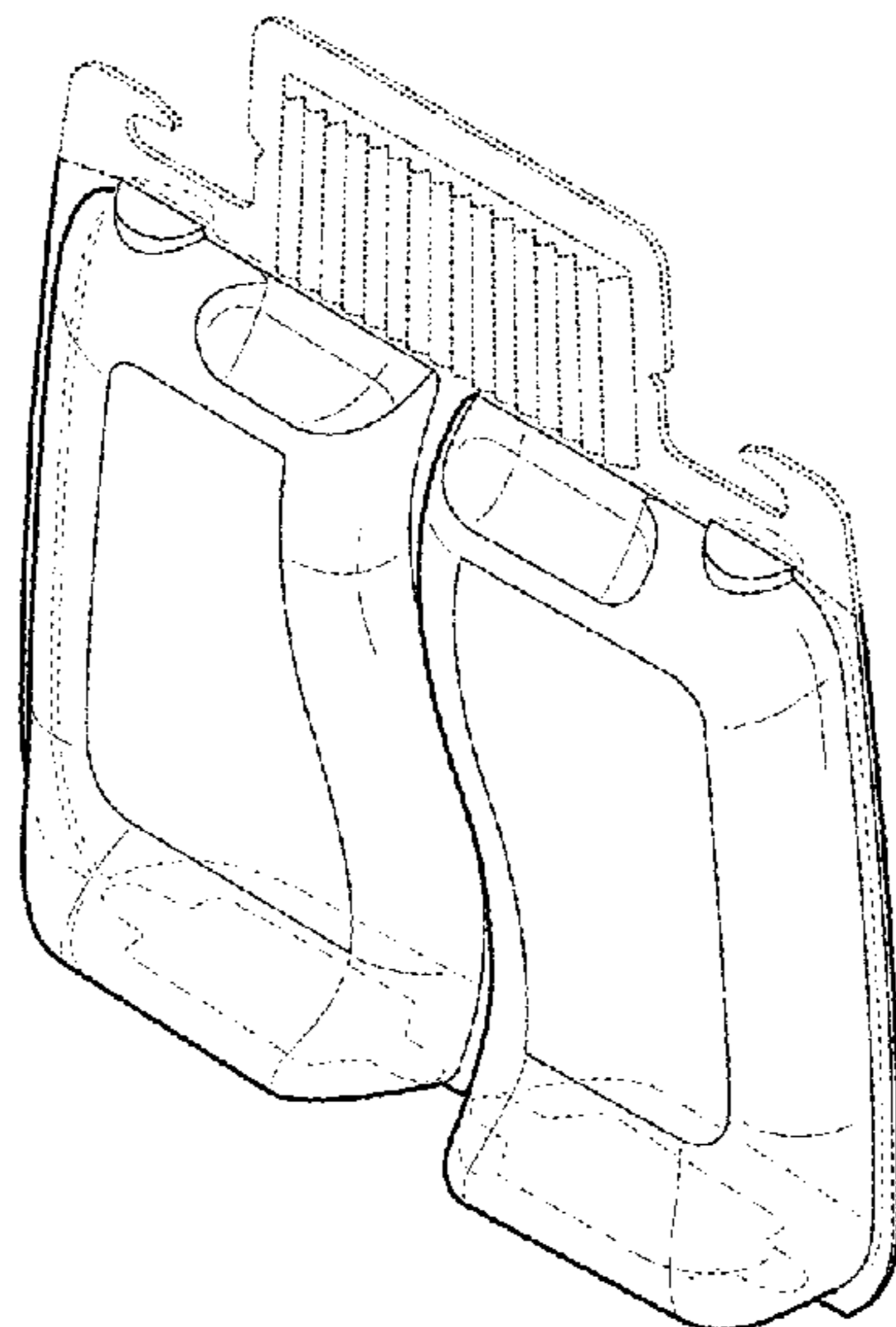
FIG. 1 is a perspective view of a detergent pouch, showing our new design;
FIG. 2 is a front elevation thereof;
FIG. 3 is a side elevation thereof;
FIG. 4 is a rear elevation thereof;
FIG. 5 is an opposite side elevation thereof;
FIG. 6 is a top plan view thereof; and,
FIG. 7 is a bottom plan view thereof.
The evenly spaced broken lines illustrate portions of the detergent pouch and form no part of the claimed design. The dot-dash-dot broken lines illustrate the bounds of the detergent pouch and form no part of the claimed design.

(56) **References Cited**

U.S. PATENT DOCUMENTS

D287,572 S *	1/1987	Dancy	D9/707
D436,860 S *	1/2001	Raso	D28/8.1
D490,567 S *	5/2004	McLeish	D28/8.1

1 Claim, 7 Drawing Sheets



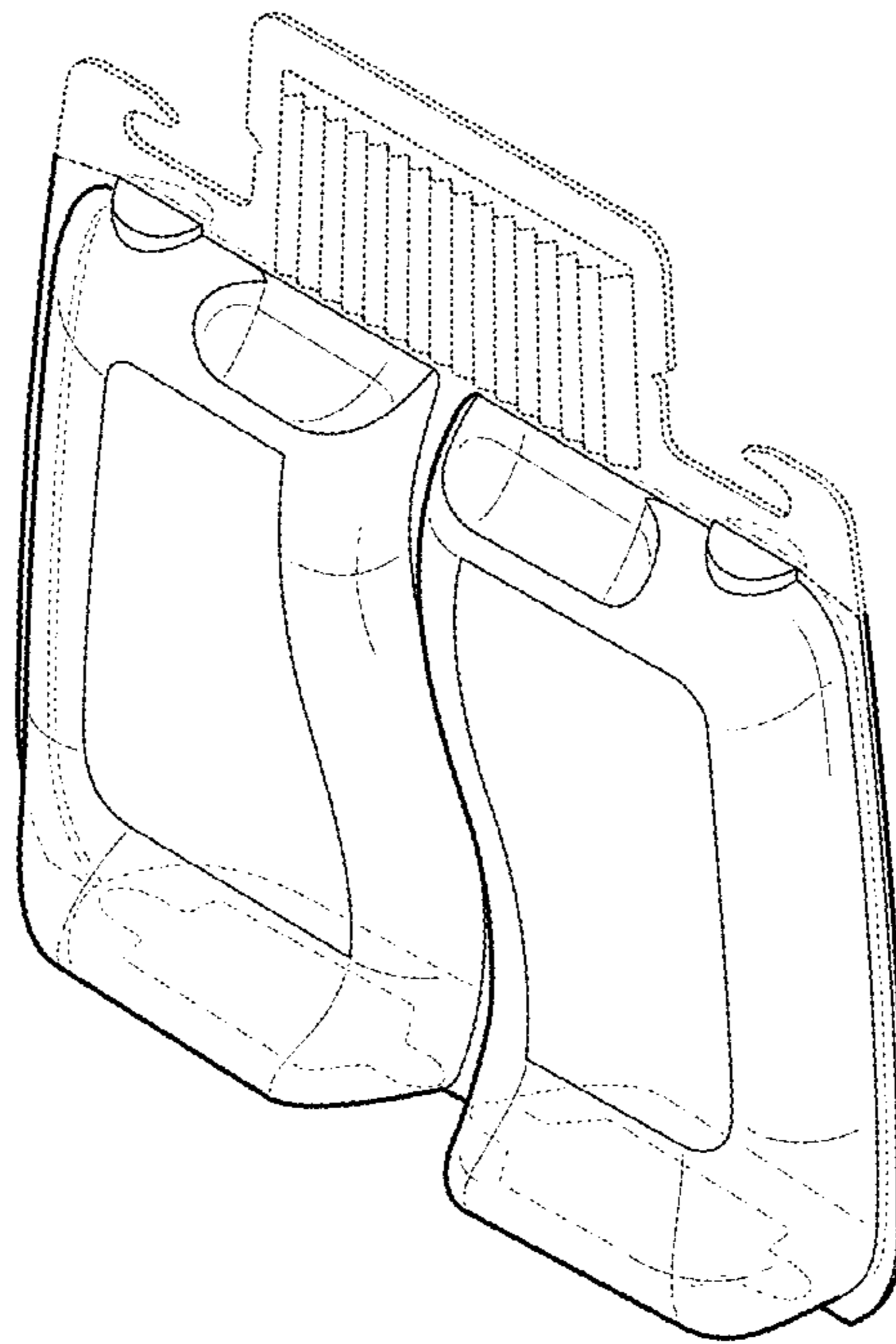


Fig. 1

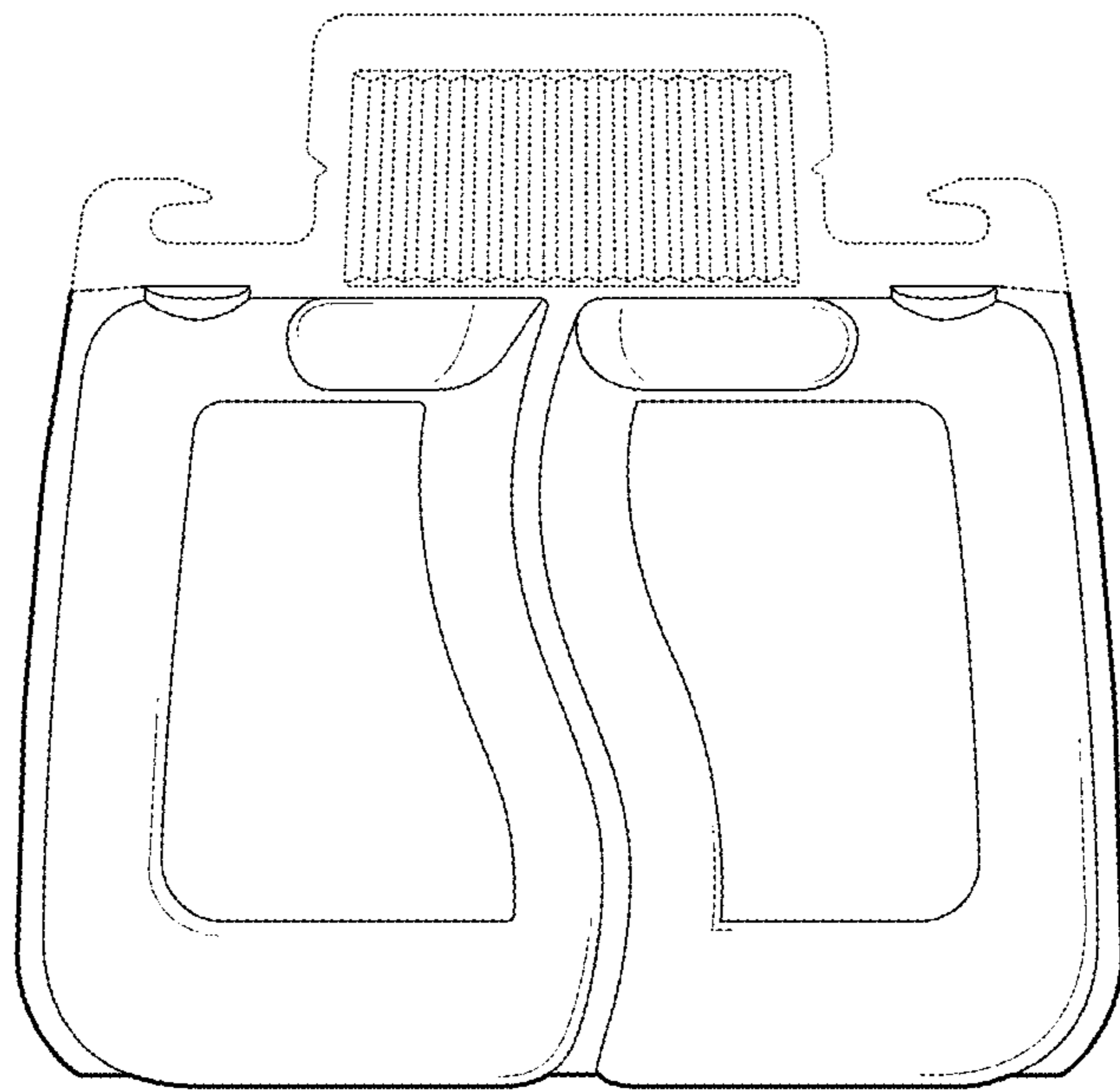


Fig. 2

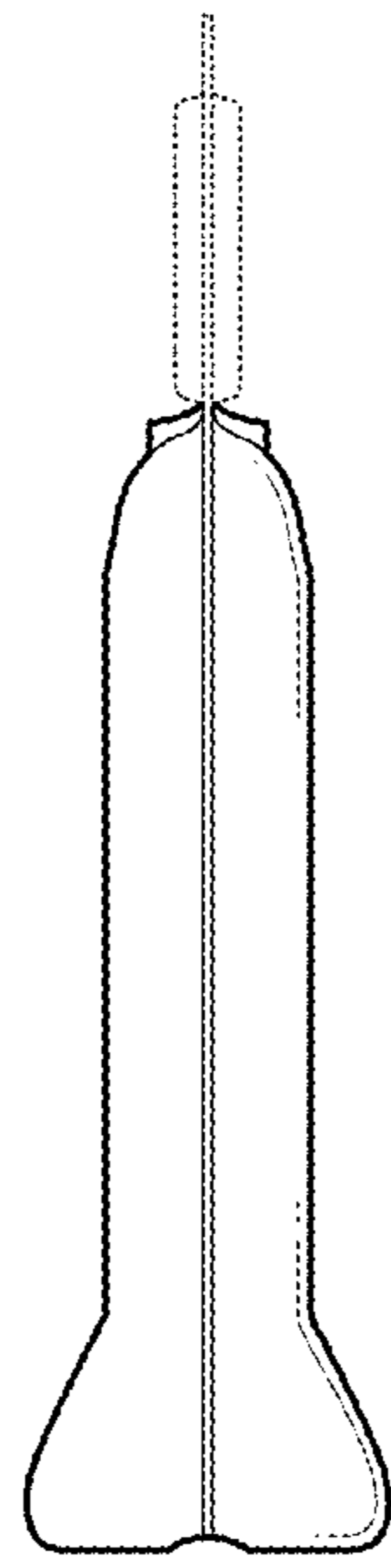


Fig. 3

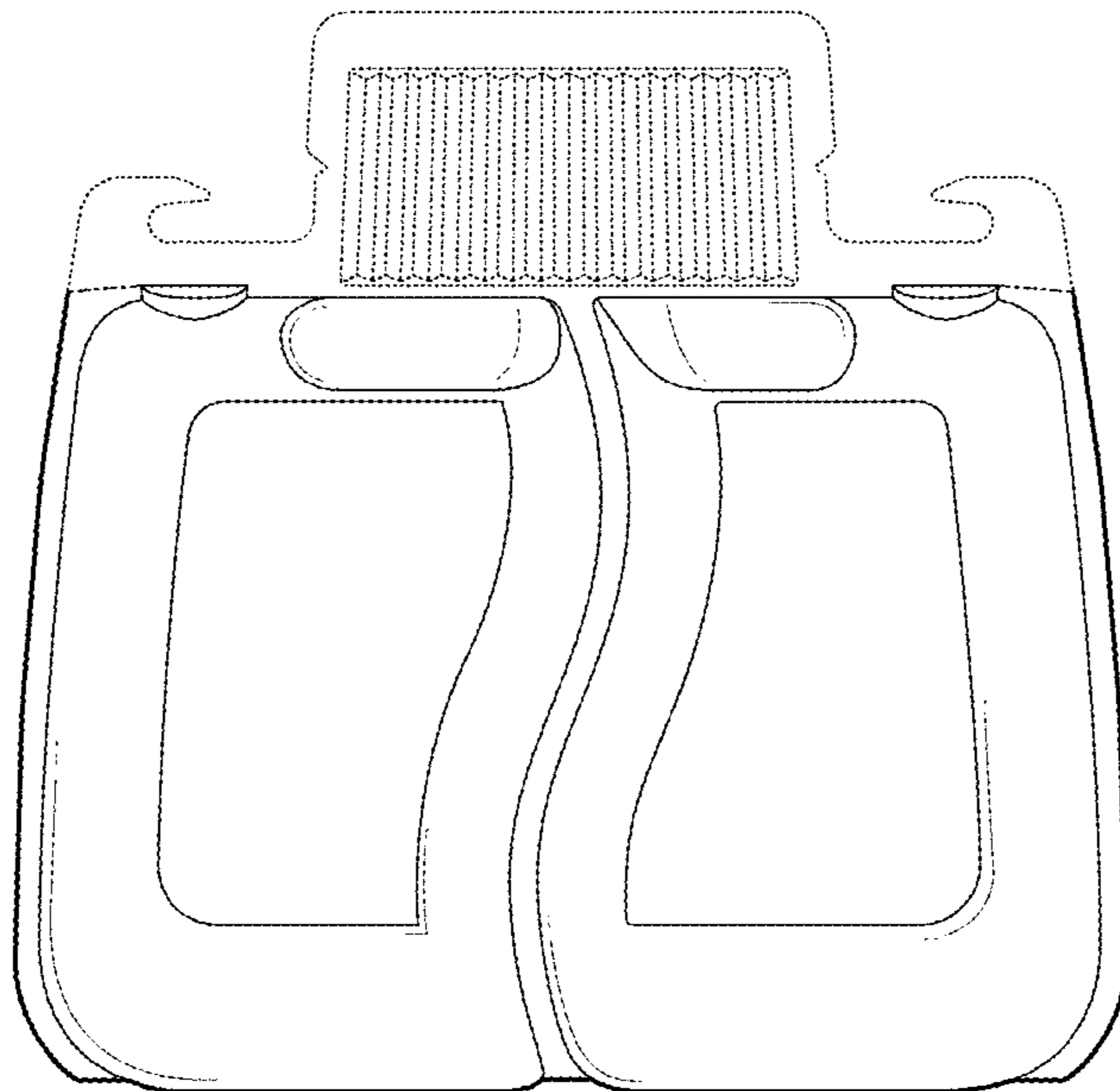


Fig. 4

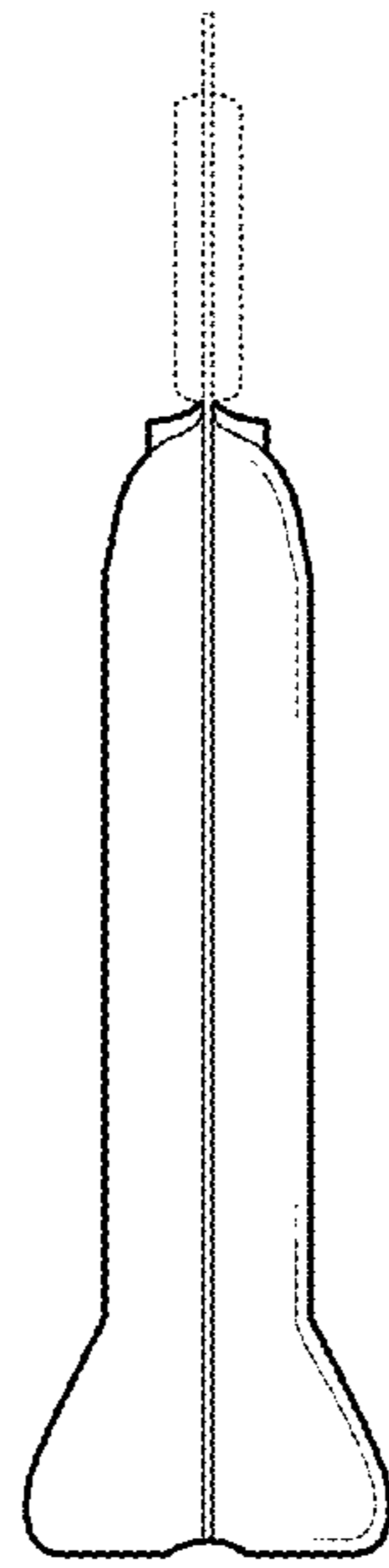


Fig. 5

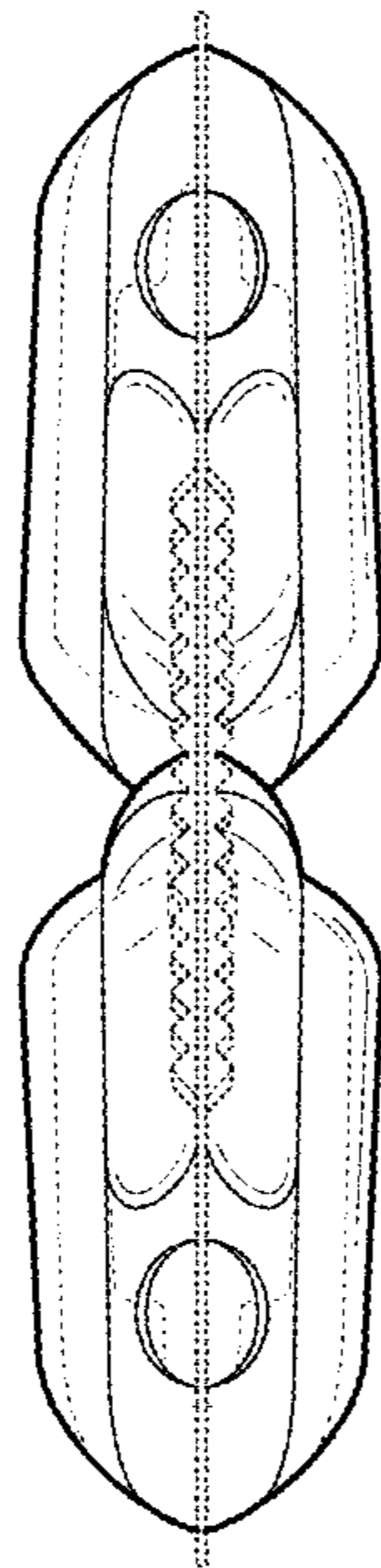


Fig. 6

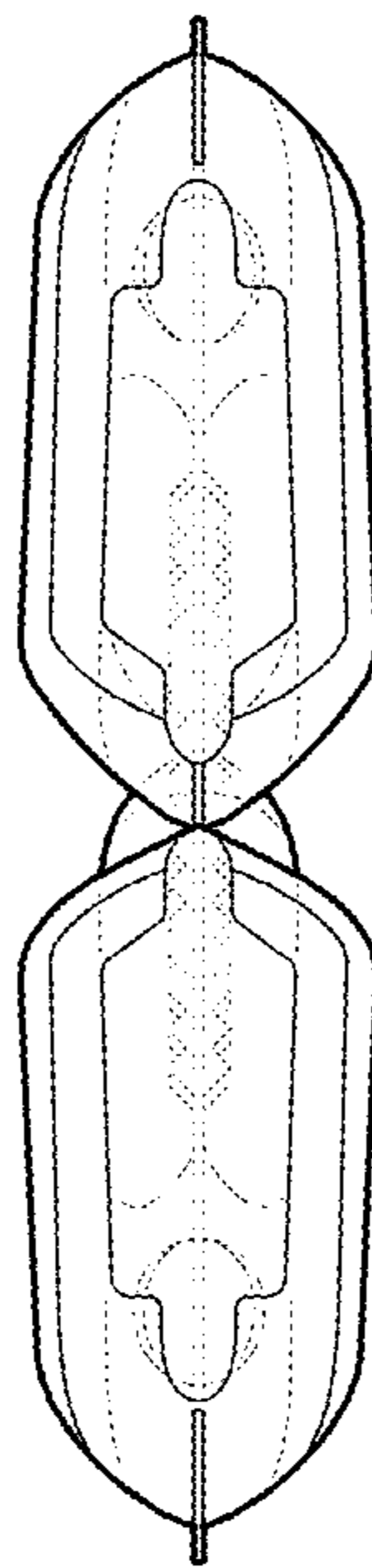


Fig. 7