



US00D823538S

(12) **United States Design Patent**
Ruggaber

(10) **Patent No.:** **US D823,538 S**

(45) **Date of Patent:** **** Jul. 17, 2018**

- (54) **EYELASH APPLICATOR**
- (71) Applicant: **Maria Ruggaber**, North Syracuse, NY (US)
- (72) Inventor: **Maria Ruggaber**, North Syracuse, NY (US)
- (**) Term: **15 Years**
- (21) Appl. No.: **29/564,297**
- (22) Filed: **May 12, 2016**
- (51) **LOC (11) Cl.** **28-02**
- (52) **U.S. Cl.**
USPC **D28/7**
- (58) **Field of Classification Search**
USPC D4/116, 117, 121, 137, 103; D28/55, 36, D28/57, 61, 63, 7, 8, 44-44.2, 59, 82; D8/57, 300, 93; D9/723-725; D1/118, D1/130; D19/187, 199, 203; D24/106, D24/141, 143, 231, 119; D29/113-114
CPC .. B05C 17/00; B05C 1/06; A61C 3/00; A45D 26/0066; A45D 2200/1009; A45D 2200/1018; A45D 2200/1036; A45D 29/02; G04D 1/00; G04D 2/48; A61K 8/00; A61K 8/02
See application file for complete search history.

- 3,176,689 A * 4/1965 Yahr A61B 17/2833 606/208
- 3,209,753 A * 10/1965 Hawkins A61B 17/282 606/207
- D204,853 S * 5/1966 Cummings 606/138
- 3,339,561 A * 9/1967 Brickner A45D 2/48 132/217
- 3,664,346 A * 5/1972 Dunn A61B 17/3201 606/133
- 3,786,815 A * 1/1974 Ericson A61B 17/2812 606/207
- D254,090 S * 1/1980 Perry D24/143
- D261,816 S 11/1981 de Haseth
- D293,716 S * 1/1988 Nice D24/143
- D295,893 S * 5/1988 Sharkany D24/143
- D321,055 S * 10/1991 Carchidi D10/73
- 5,320,637 A * 6/1994 Borders, Jr. A61B 17/02 600/201
- 5,336,228 A * 8/1994 Cholhan A61B 17/2812 606/119
- D390,080 S * 2/1998 Baldesberger D8/57
- 5,997,566 A * 12/1999 Tobin A61M 16/0472 606/205

(Continued)

Primary Examiner — Shannon Weekley Morgan

(57) **CLAIM**

The ornamental design for an eyelash applicator, as shown and described.

DESCRIPTION

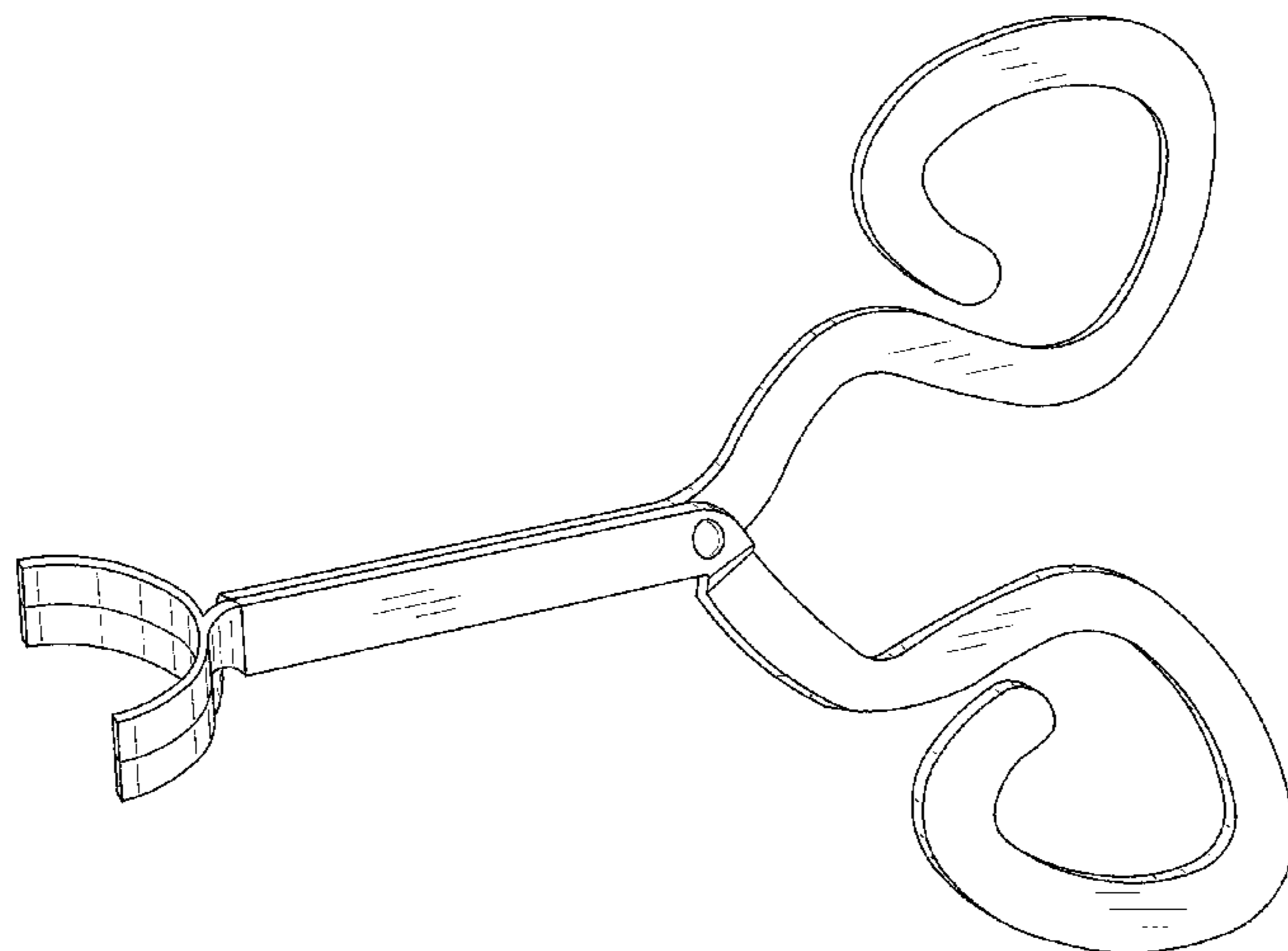
FIG. 1 is a front view of an eyelash applicator showing my new design;
FIG. 2 is a rear view of the eyelash applicator;
FIG. 3 is a left side view of the eyelash applicator;
FIG. 4 is a right side view of the eyelash applicator;
FIG. 5 is a top view of the eyelash applicator;
FIG. 6 is a bottom view of the eyelash applicator; and,
FIG. 7 is a top front side perspective view of the eyelash applicator.

1 Claim, 5 Drawing Sheets

(56) **References Cited**

U.S. PATENT DOCUMENTS

- 802,989 A * 10/1905 Johnstone A61C 3/00 433/157
- 1,960,687 A 5/1934 Wills
- 2,089,177 A * 8/1937 Beldue A45D 26/0066 606/133
- 2,094,409 A 9/1937 Phillips, Sr.
- 2,642,871 A * 6/1953 Thuerig A61B 17/282 294/118
- 3,035,582 A * 5/1962 Seiger A61B 17/28 269/45



(56)

References Cited

U.S. PATENT DOCUMENTS

6,105,585 A * 8/2000 Thomas A45D 2/48
132/216
D437,086 S * 1/2001 Dickert D28/36
D437,660 S * 2/2001 Kim D28/36
6,205,699 B1 * 3/2001 Bogni A01K 97/18
43/53.5
D481,827 S * 11/2003 Rollins D28/55
D516,246 S * 2/2006 Lin D24/143
D559,449 S * 1/2008 Lin D28/36
D617,905 S * 6/2010 Moorman D24/143
D661,395 S * 6/2012 Titolo D24/143
D711,713 S * 8/2014 Albers D28/25
9,107,461 B2 8/2015 Martins et al.
D759,818 S * 6/2016 Peterson D24/153
D802,133 S * 11/2017 Thrasher, III D24/143
2007/0099154 A1 * 5/2007 Johnson A61C 1/0046
433/215
2008/0004650 A1 * 1/2008 George 606/174
2010/0224207 A1 * 9/2010 Otsuka A45D 2/48
132/217
2013/0074865 A1 * 3/2013 Santillan A45D 2/48
132/217
2015/0020840 A1 * 1/2015 Rabe A41G 5/02
132/216
2015/0075549 A1 3/2015 Lee et al.
2015/0122285 A1 * 5/2015 Horino A45D 2/48
132/217
2015/0201692 A1 7/2015 Hansen et al.

* cited by examiner

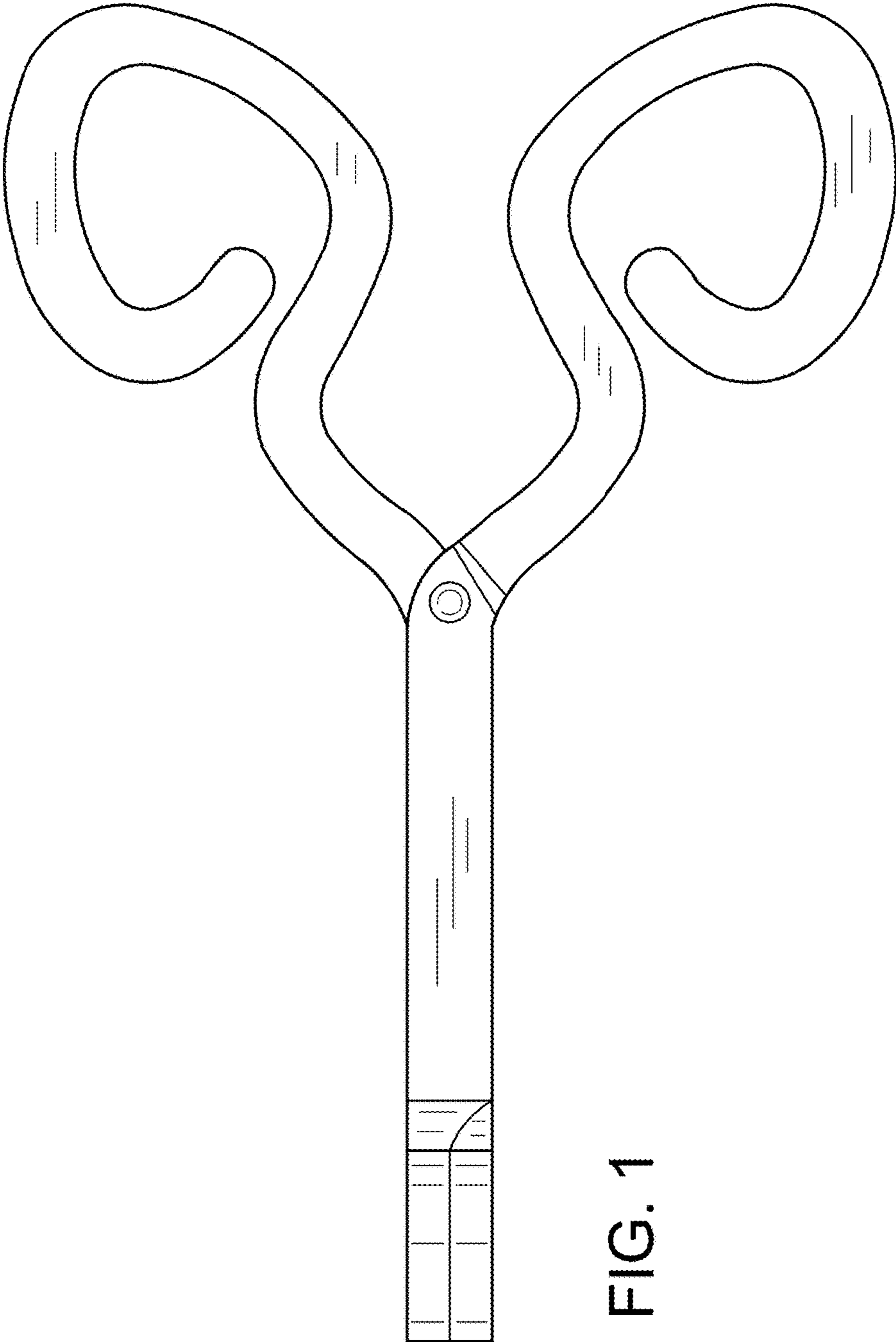


FIG. 1

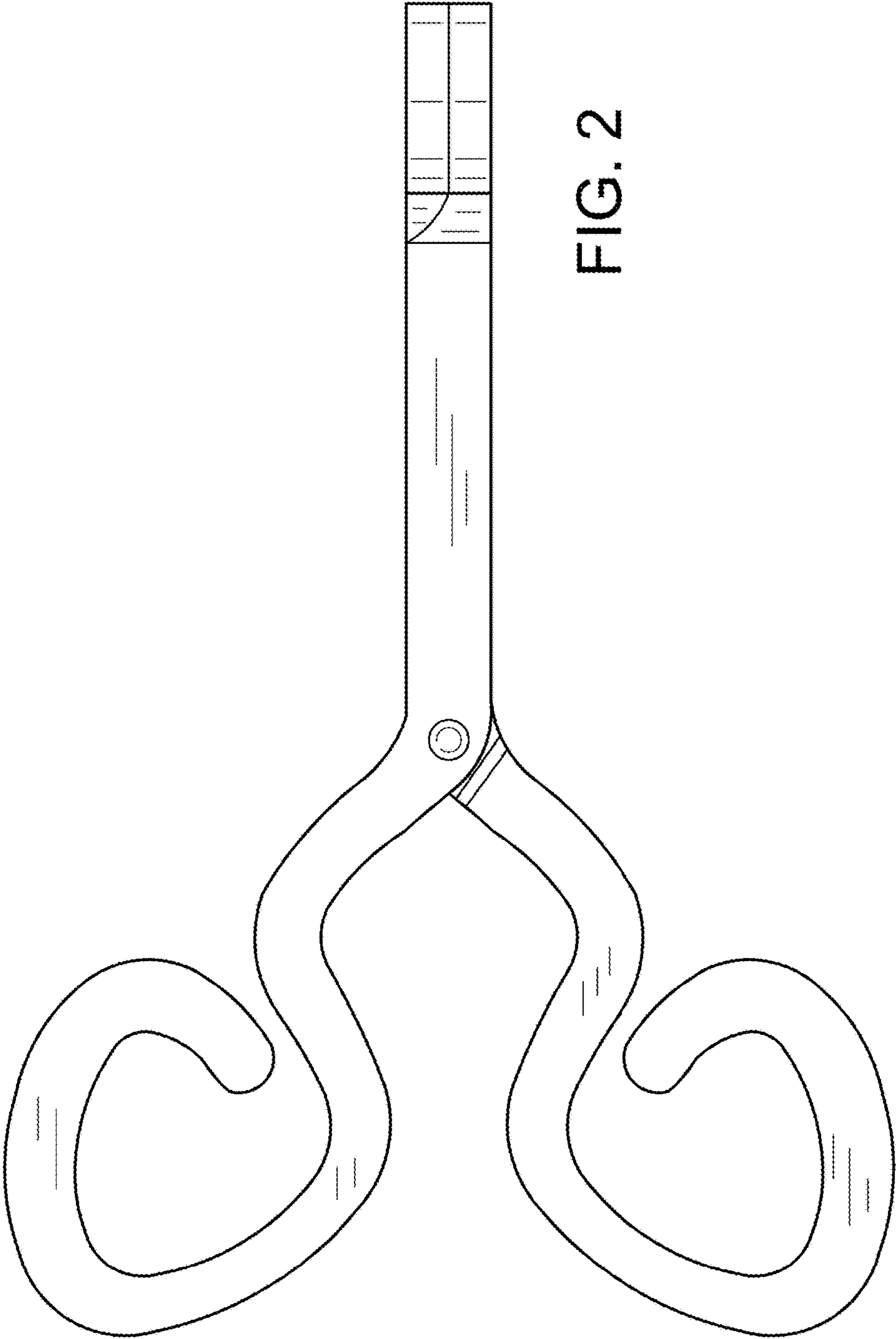


FIG. 2

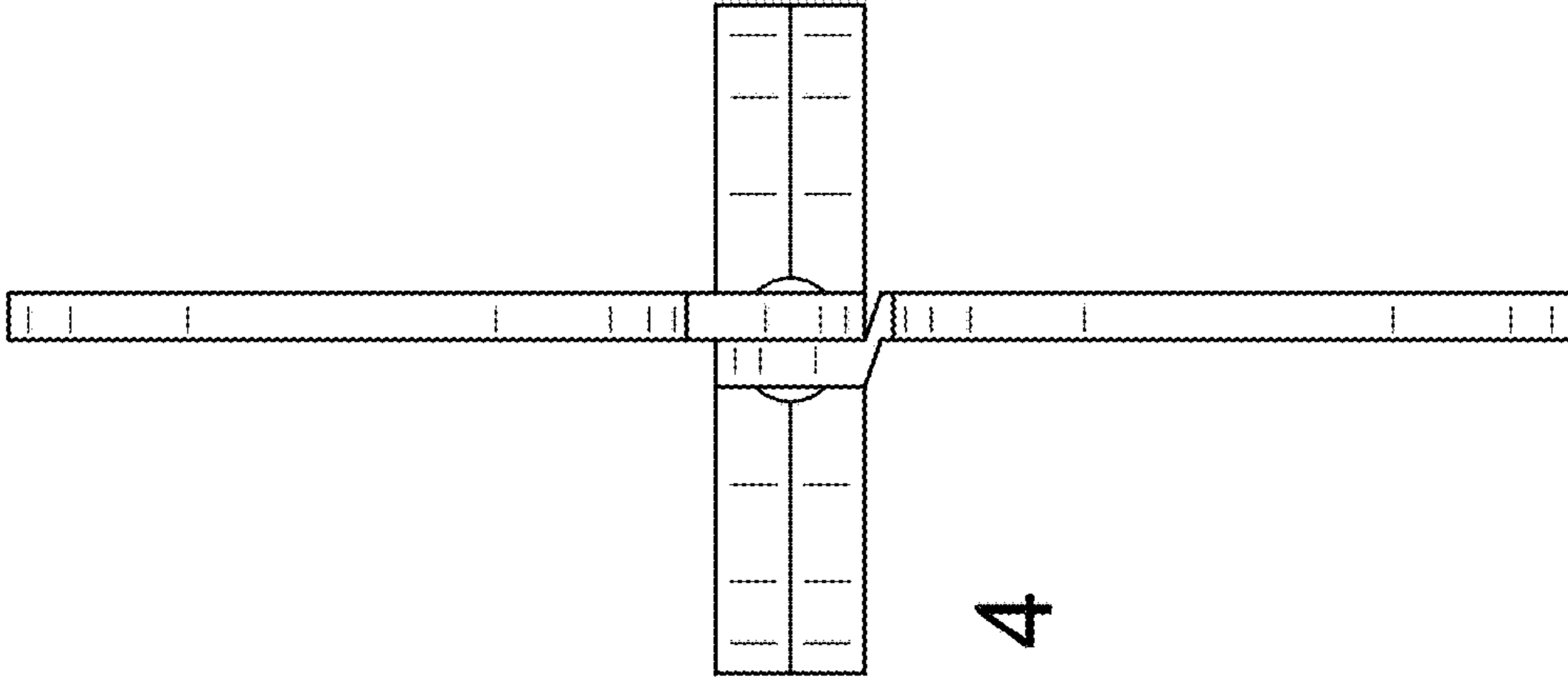


FIG. 4

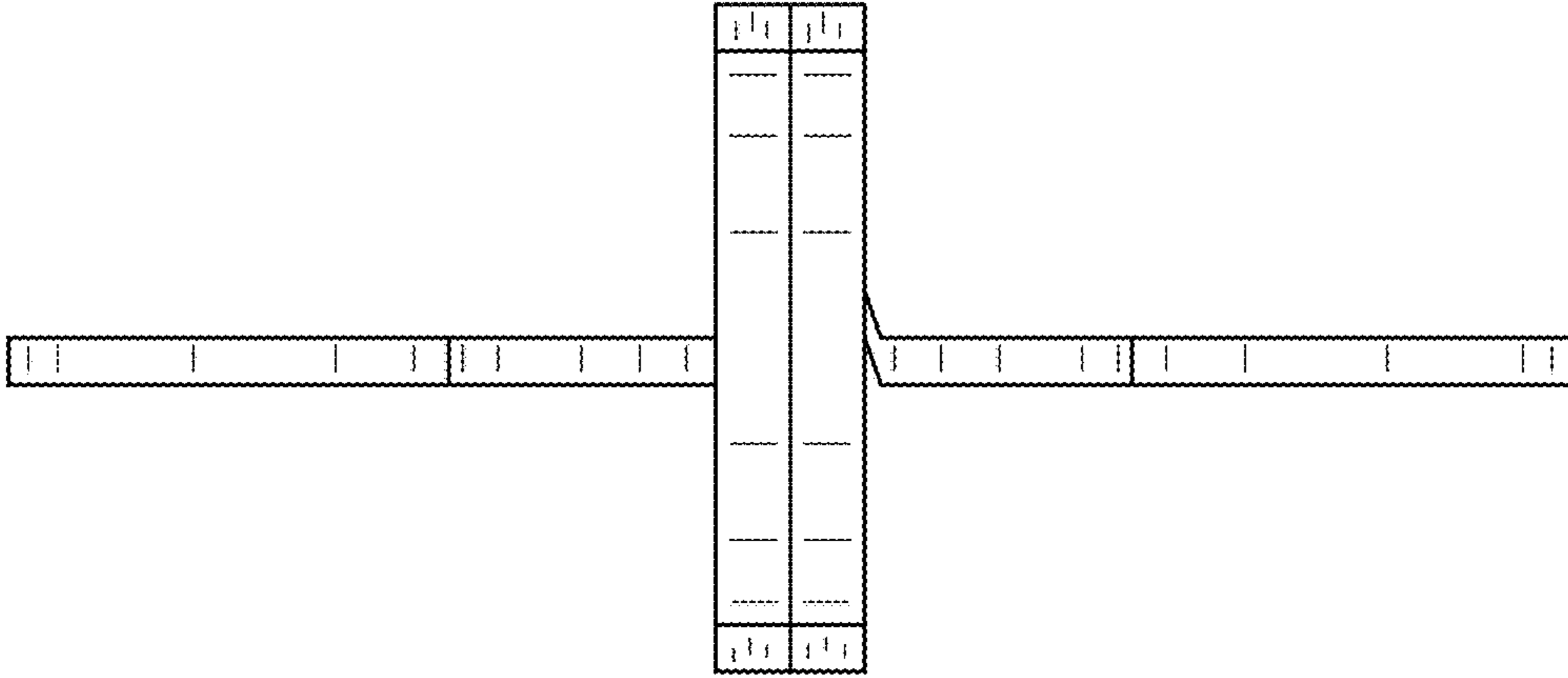
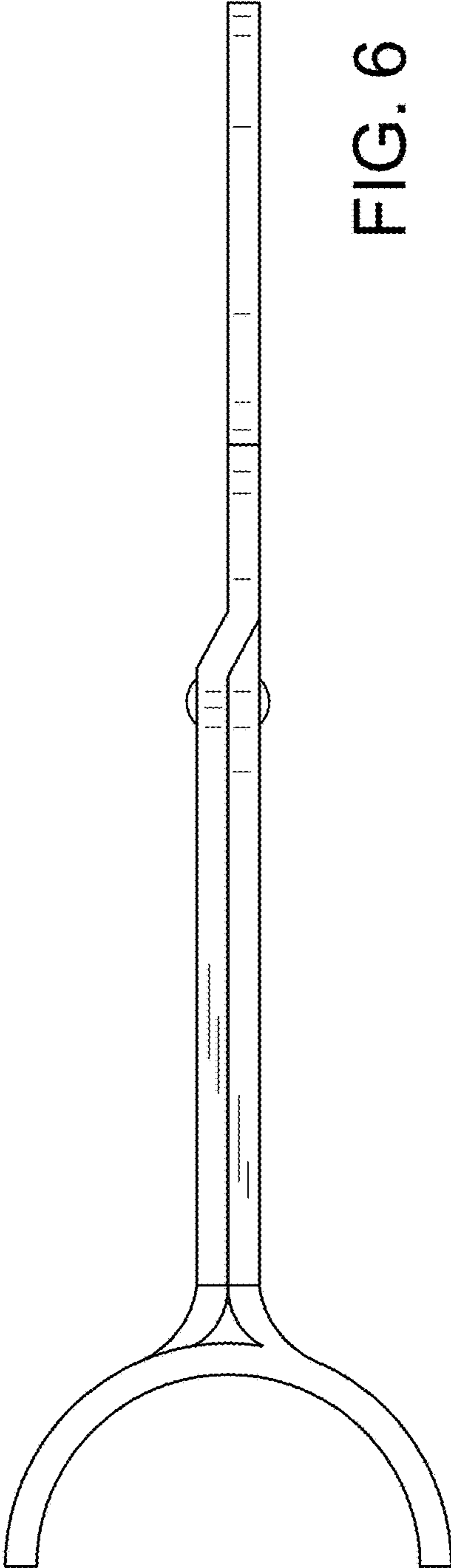
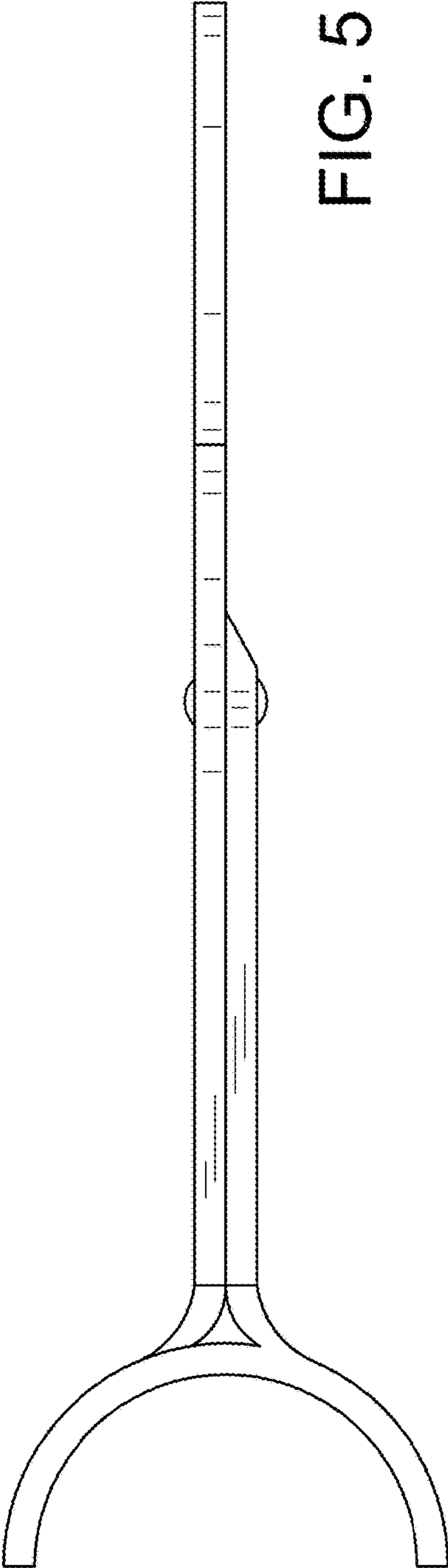


FIG. 3



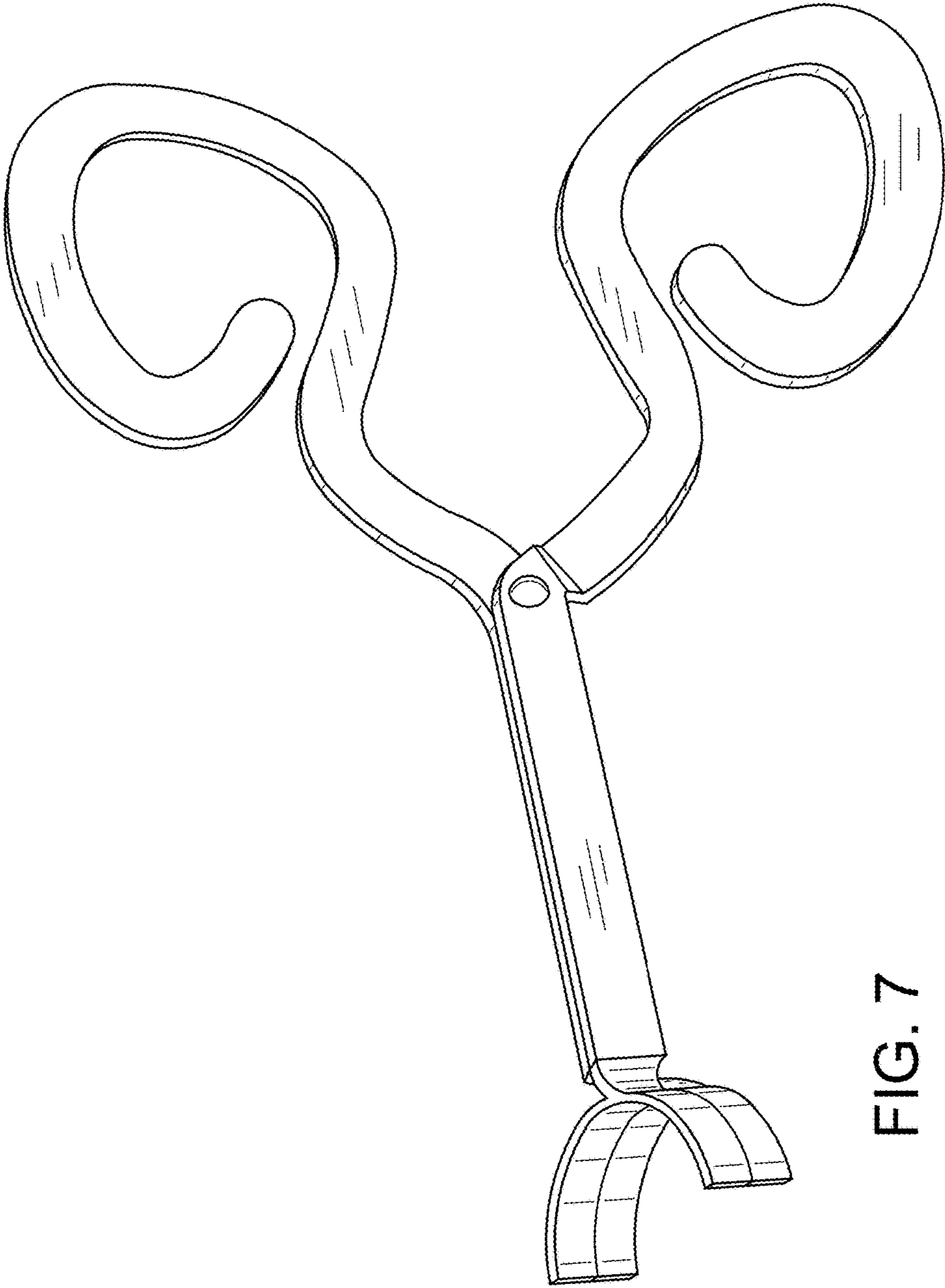


FIG. 7