



US00D823537S

(12) **United States Design Patent**
Beaver

(10) **Patent No.:** **US D823,537 S**

(45) **Date of Patent:** **** Jul. 17, 2018**

(54) **CONTAINER FOR CANNABIS AND TOBACCO**
(71) Applicant: **SmokeSpot, LLC.**, Minnetonka, MN (US)
(72) Inventor: **Isaac Beaver**, Minnetonka, MN (US)
(73) Assignee: **Isaac Beaver**, Ormond Beach, FL (US)
(**) Term: **15 Years**

D409,330 S * 5/1999 Putnam D27/190
5,957,278 A * 9/1999 Krawec A24F 15/00
206/223
D466,814 S * 12/2002 Hurlburt D9/504
D617,050 S * 6/2010 Lou D28/76
D632,014 S * 2/2011 Lee D28/76
D670,858 S * 11/2012 Fakhouri D27/189
D677,832 S * 3/2013 Fastuca D27/189
D698,652 S * 2/2014 Sommer D9/453
D730,746 S * 6/2015 Cywinski D9/711
D748,865 S * 2/2016 Hall D28/85
2009/0133706 A1 * 5/2009 Egued A24F 13/24
131/303

(21) Appl. No.: **29/608,460**

* cited by examiner

(22) Filed: **Jun. 22, 2017**

Primary Examiner — Susan Bennett Hattan

(51) **LOC (11) Cl.** **27-06**

Assistant Examiner — Rebecca Tsehaye

(52) **U.S. Cl.**
USPC **D27/191**

(58) **Field of Classification Search**
USPC D27/191, 190, 189, 172–175, 186, 187,
D27/183; D3/229, 302, 273; D9/648,
D9/643, 711, 714, 772, 779, 770, 503,
D9/504, 529, 502, 537, 539, 545, 551,
D9/454; D28/773, 76, 77, 82, 85–90
CPC A24F 23/00; A24F 15/00; A24F 15/02;
A24F 15/08

(57) **CLAIM**

The ornamental design for a container for cannabis and tobacco, as shown and described in the figures.

See application file for complete search history.

DESCRIPTION

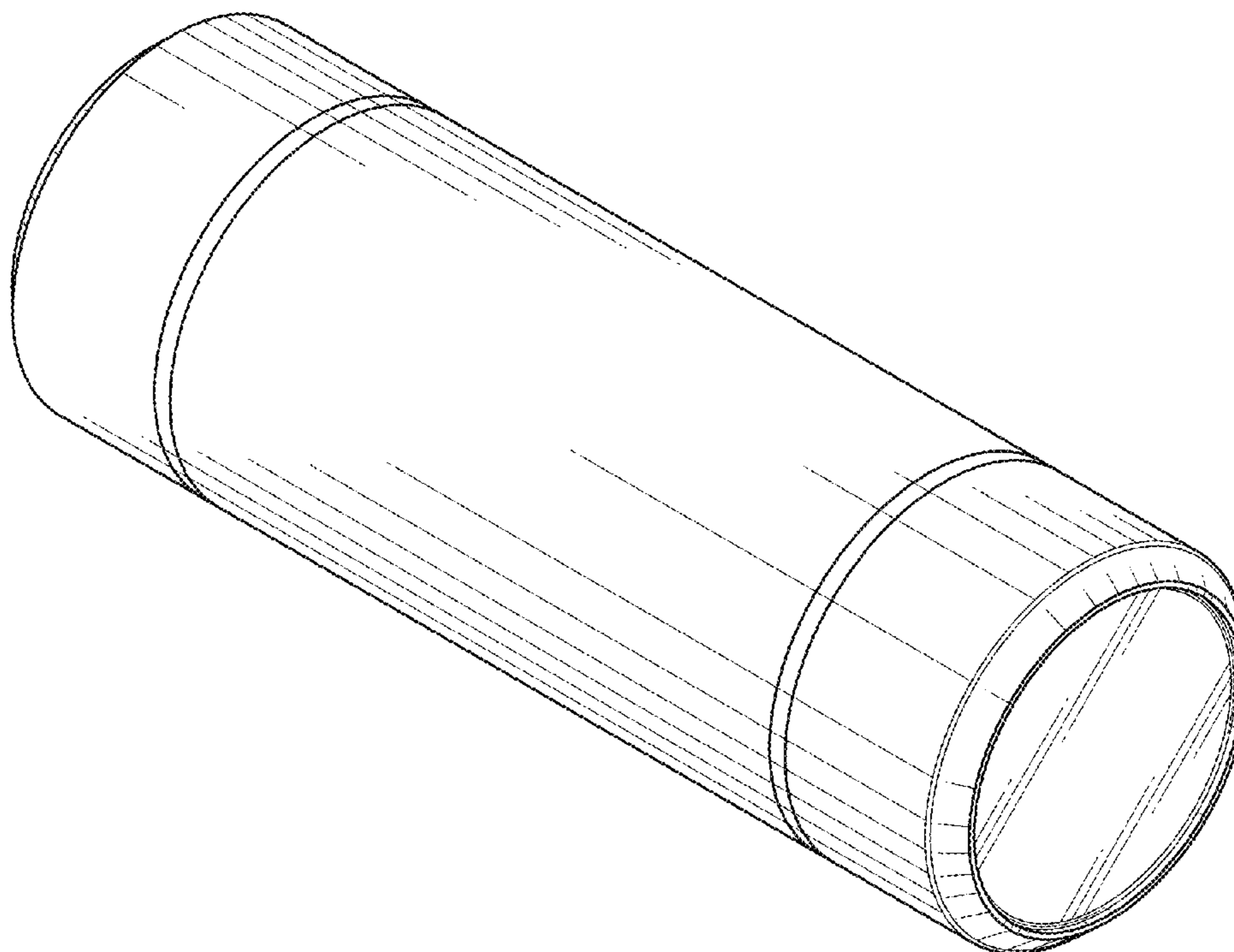
(56) **References Cited**

FIG. 1 is a perspective view of a container for cannabis and tobacco, showing our new design;
FIG. 2 is a view of the right and left ends thereof; and,
FIG. 3 is a top view thereof.

U.S. PATENT DOCUMENTS

D394,522 S * 5/1998 Putnam D27/183
D408,099 S * 4/1999 Putnam D27/190

1 Claim, 2 Drawing Sheets



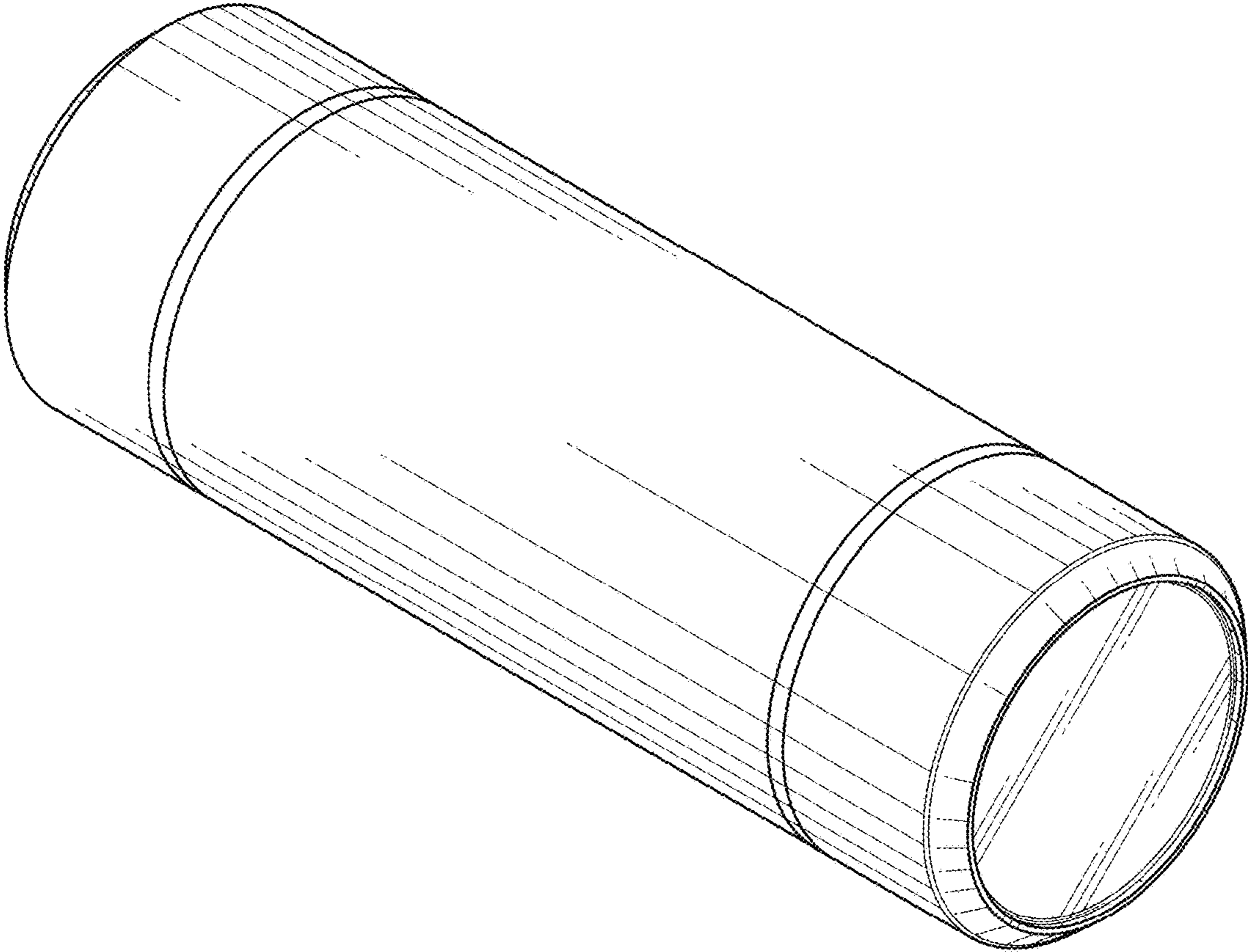


FIG. 1

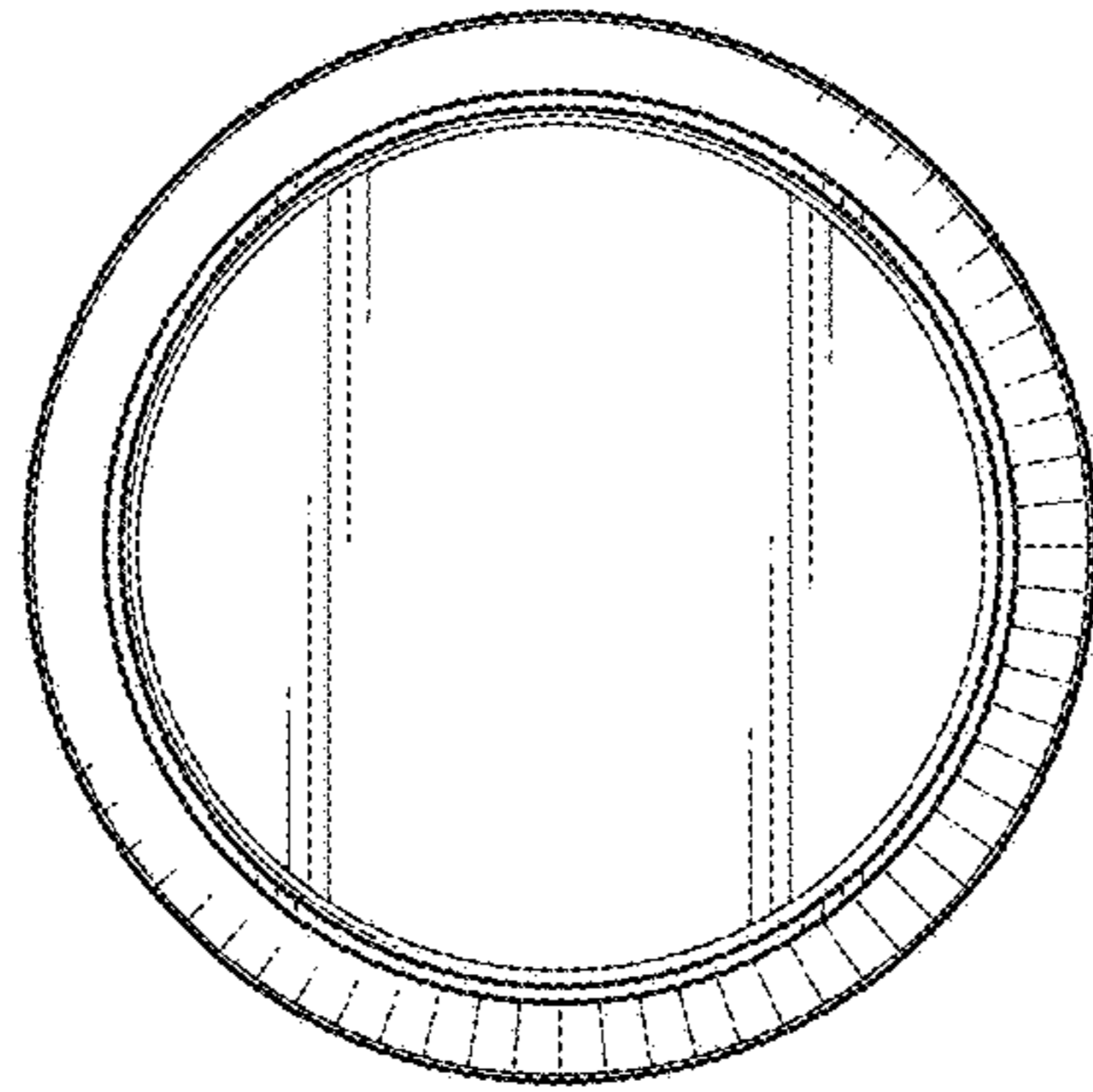


FIG. 2

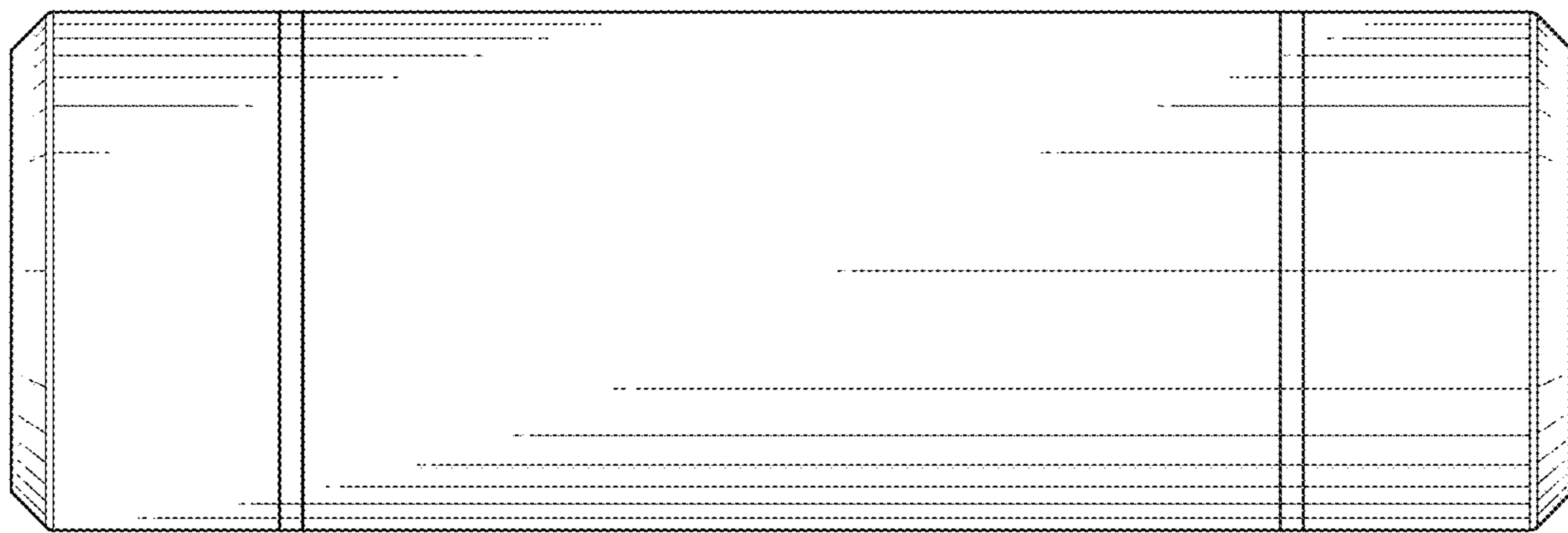


FIG. 3