



US00D823535S

(12) **United States Design Patent**
Xu

(10) **Patent No.:** **US D823,535 S**
(45) **Date of Patent:** **** Jul. 17, 2018**

- (54) **MICROVAPORIZER CARTRIDGE**
- (71) Applicant: **Yongjie James Xu**, Richmond, VA (US)
- (72) Inventor: **Yongjie James Xu**, Richmond, VA (US)
- (**) Term: **15 Years**
- (21) Appl. No.: **29/602,524**
- (22) Filed: **May 1, 2017**
- (51) **LOC (11) Cl.** **27-02**
- (52) **U.S. Cl.**
USPC **D27/163**
- (58) **Field of Classification Search**
USPC D27/101, 106, 108, 161, 163, 165, 169, D27/172, 174, 175, 183, 186-190, 193, D27/195, 131, 141, 142, 152, 153, 160; D24/110; 131/273, 274, 191, 330, 329, 131/328; 128/202.21, 203.12
CPC A24F 47/002; A24F 47/004; A24F 47/006; A24F 47/008; A61M 15/06
See application file for complete search history.

(56) **References Cited**

U.S. PATENT DOCUMENTS

D474,839 S *	5/2003	Francavilla	D24/129
6,803,550 B2 *	10/2004	Sharpe	H05B 6/105 219/263
D570,951 S *	6/2008	Morita	D23/209
D687,999 S *	8/2013	Liu	D27/101
D724,264 S *	3/2015	Chambers	D27/101
D727,562 S *	4/2015	Li	D27/101
D729,440 S *	5/2015	Liu	D27/101
D732,733 S *	6/2015	Spagnolo	D27/101
D750,320 S *	2/2016	Verleur	A24F 47/008 D27/101
D762,485 S *	8/2016	Facer	D9/719

D771,307 S *	11/2016	Wu	D27/101
D783,117 S *	4/2017	Gilbarte	D22/117
D785,861 S *	5/2017	Stoll	D27/152
D792,022 S *	7/2017	Li	D27/167
9,795,168 B2 *	10/2017	Zhu	A24F 47/008
9,795,169 B1 *	10/2017	Zhu	A24F 47/008
D804,718 S *	12/2017	Mathias	D27/162
D806,942 S *	1/2018	Qiu	D27/101
9,854,838 B1 *	1/2018	Laible	A24F 47/002
9,861,140 B2 *	1/2018	Wang	A24F 47/008
2016/0295920 A1 *	10/2016	Liu	H05B 3/0014

* cited by examiner

Primary Examiner — Manpreet S Matharu

Assistant Examiner — Rebecca Tsehaye

(74) *Attorney, Agent, or Firm* — Nixon & Vanderhye P.C.

(57) **CLAIM**

I claim the ornamental designs for a microvaporizer cartridge, substantially as shown and described.

DESCRIPTION

FIG. 1 is a front perspective view of a microvaporizer cartridge while engaged in a microvaporizer;

FIG. 2 is a front perspective view of the microvaporizer cartridge;

FIG. 3 is a rear perspective view of the microvaporizer cartridge;

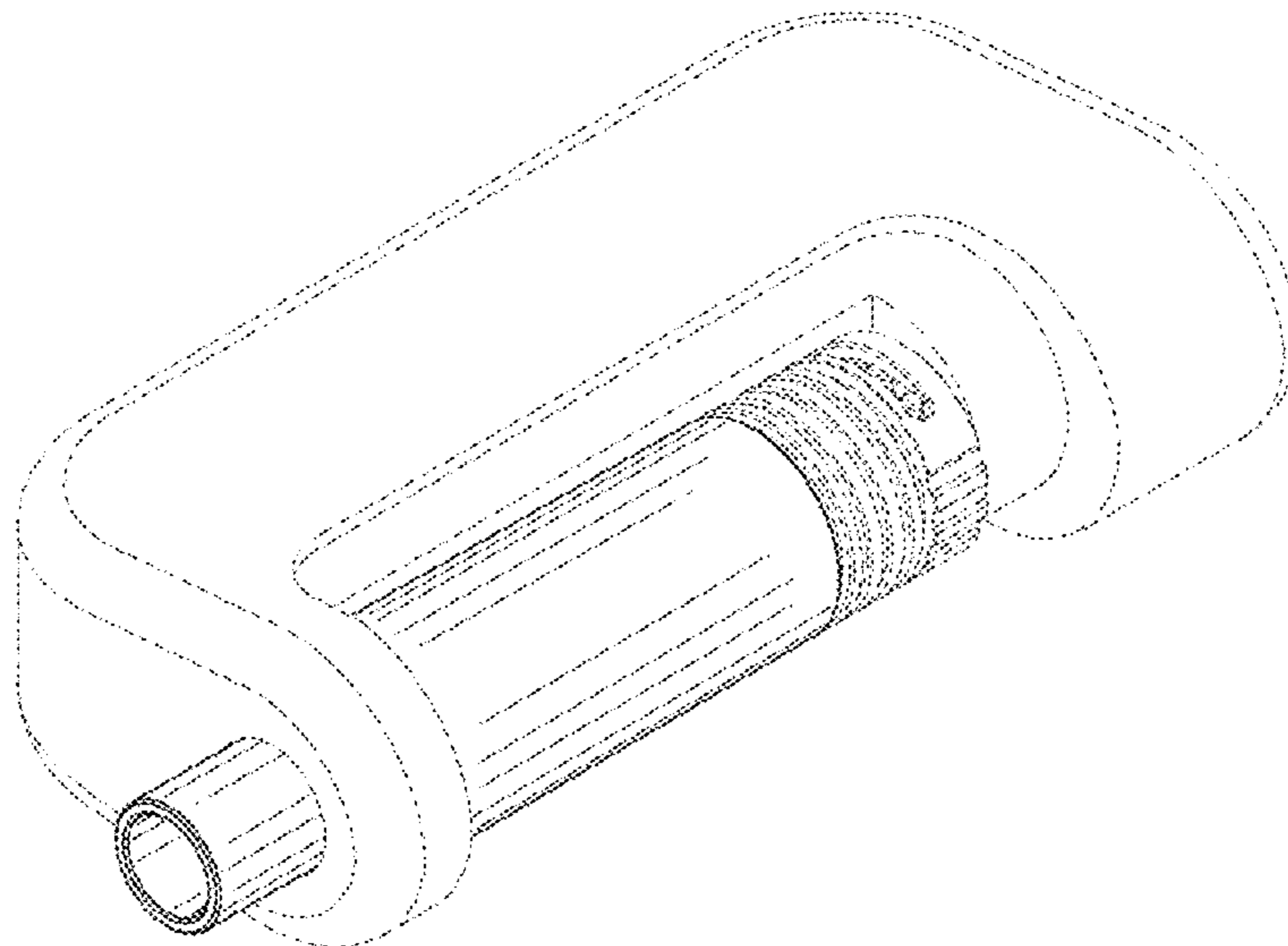
FIG. 4 is a top plan view of the microvaporizer cartridge, wherein the bottom plan view is identical to the top;

FIG. 5 is a right side view of the microvaporizer cartridge, wherein the left side view is a mirror image of the right side view;

FIG. 6 is a front view of the microvaporizer cartridge; and, FIG. 7 is a rear view of the microvaporizer cartridge.

The broken lines shown in the drawings illustrate an environment for the microvaporizer cartridge that form no part of the claimed design.

1 Claim, 5 Drawing Sheets



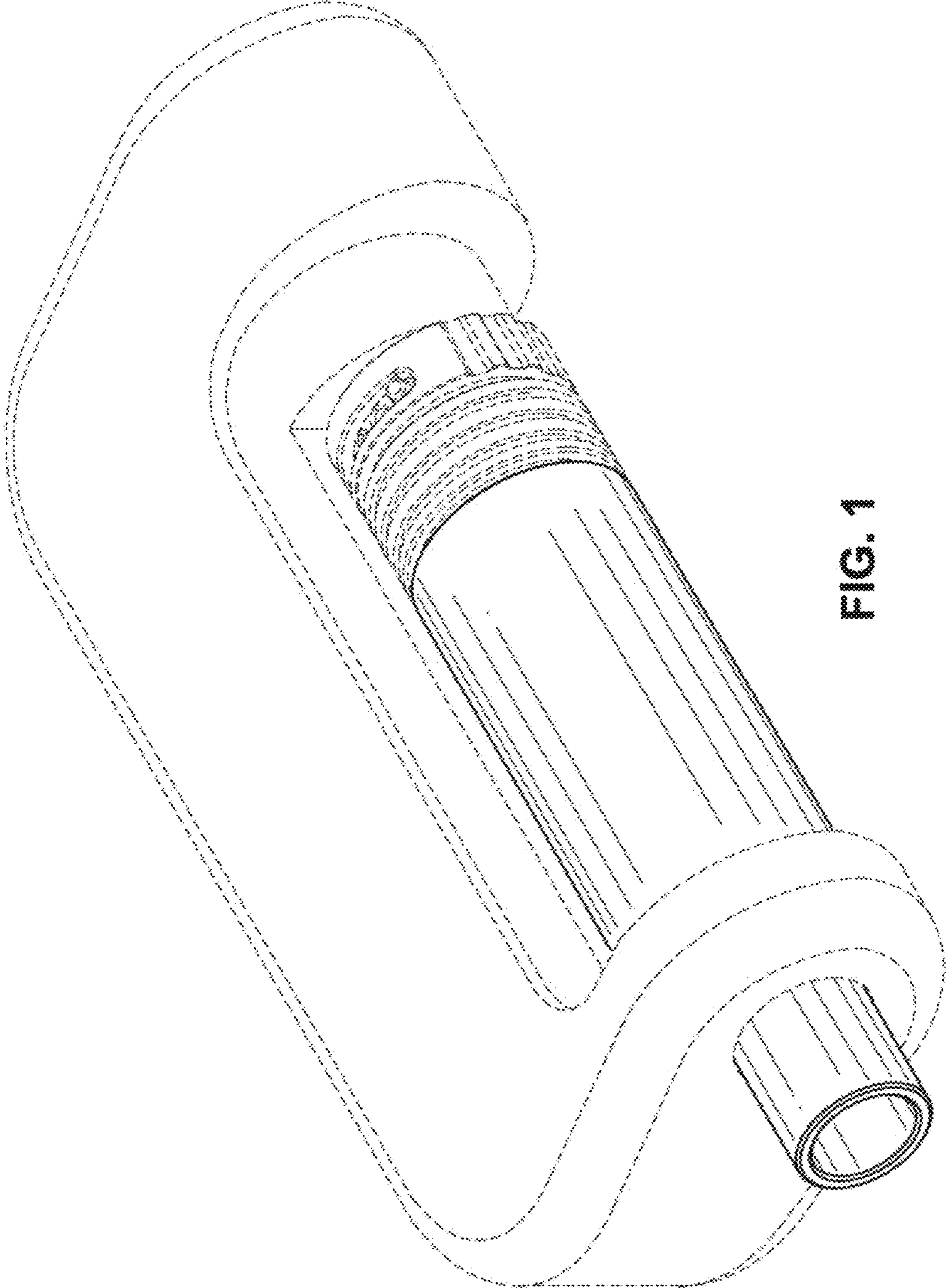


FIG. 1

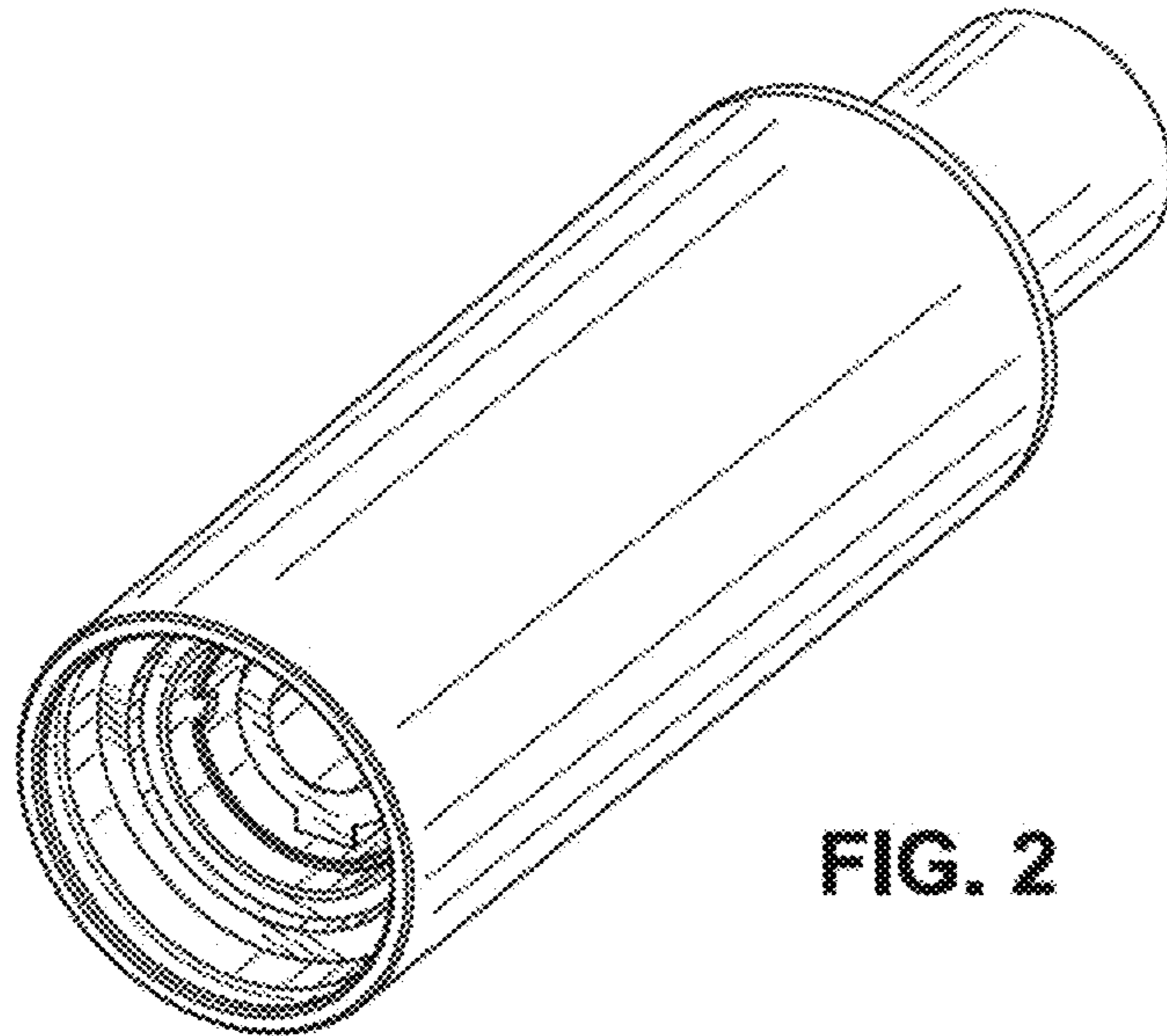


FIG. 2

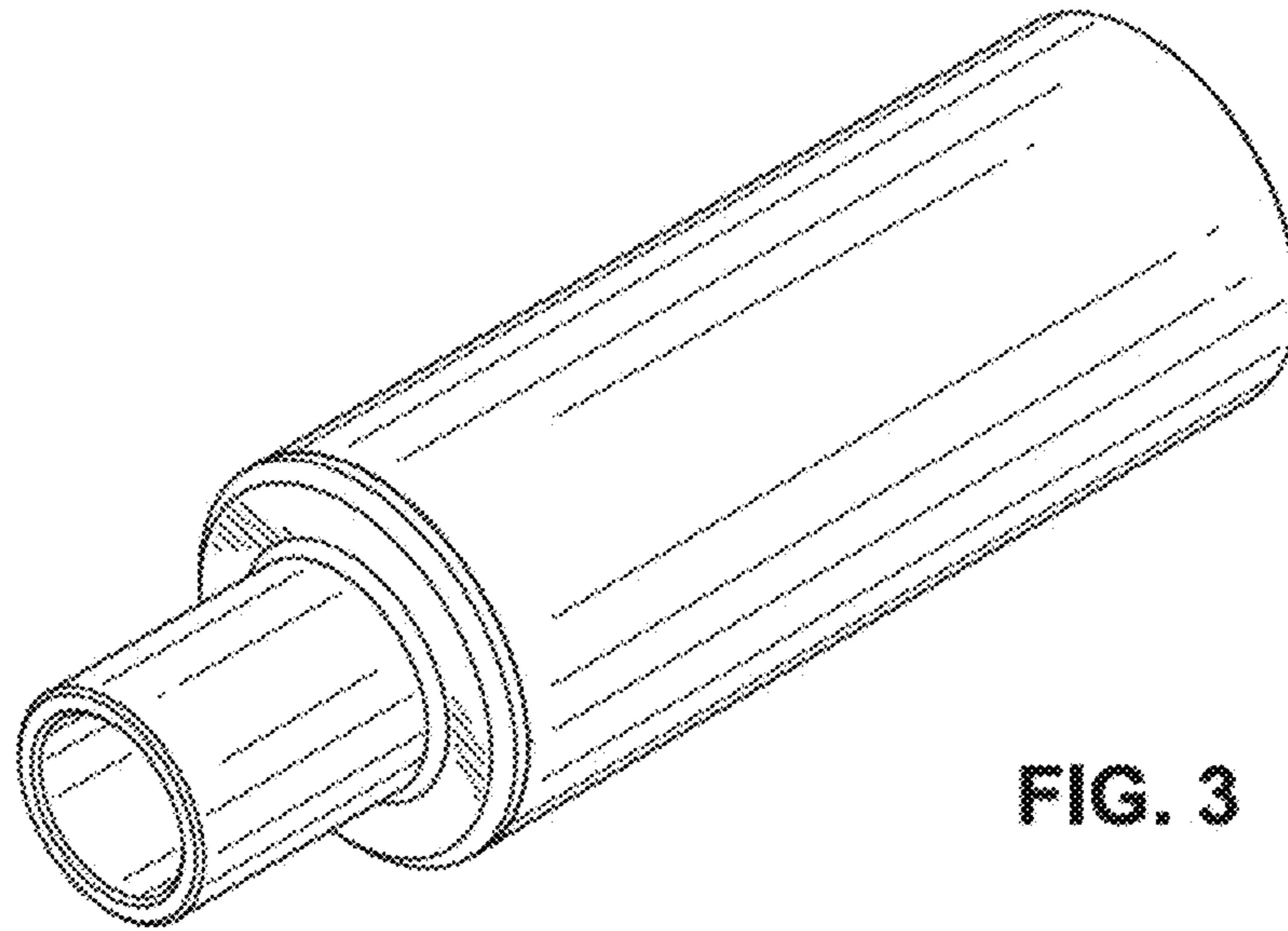


FIG. 3

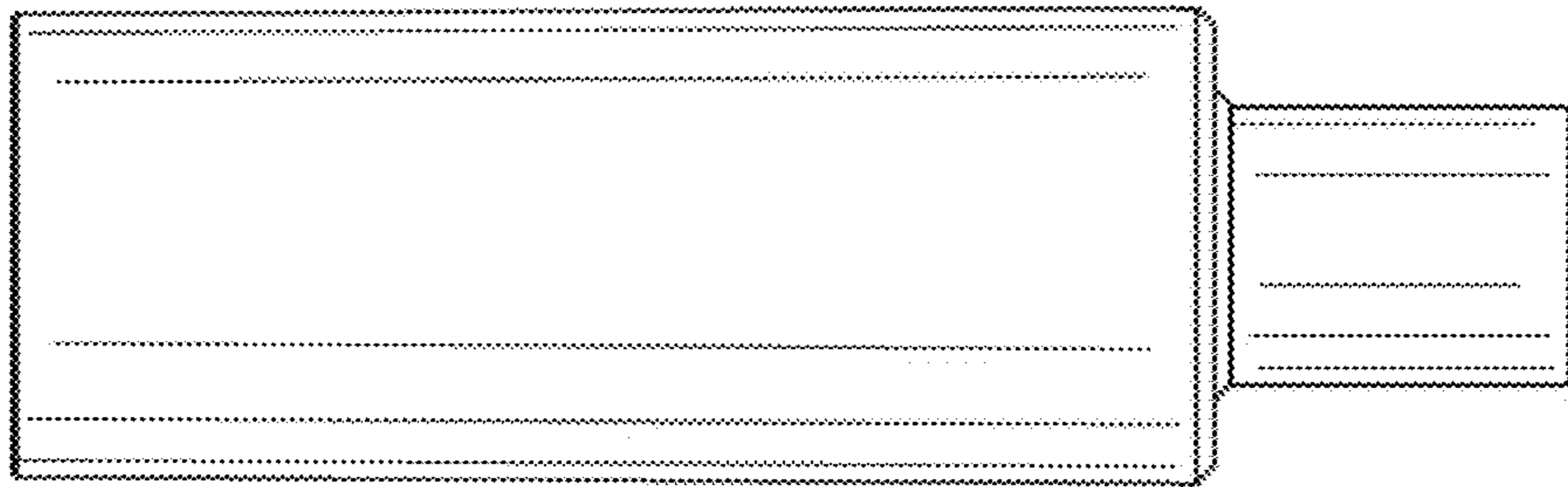


FIG. 4

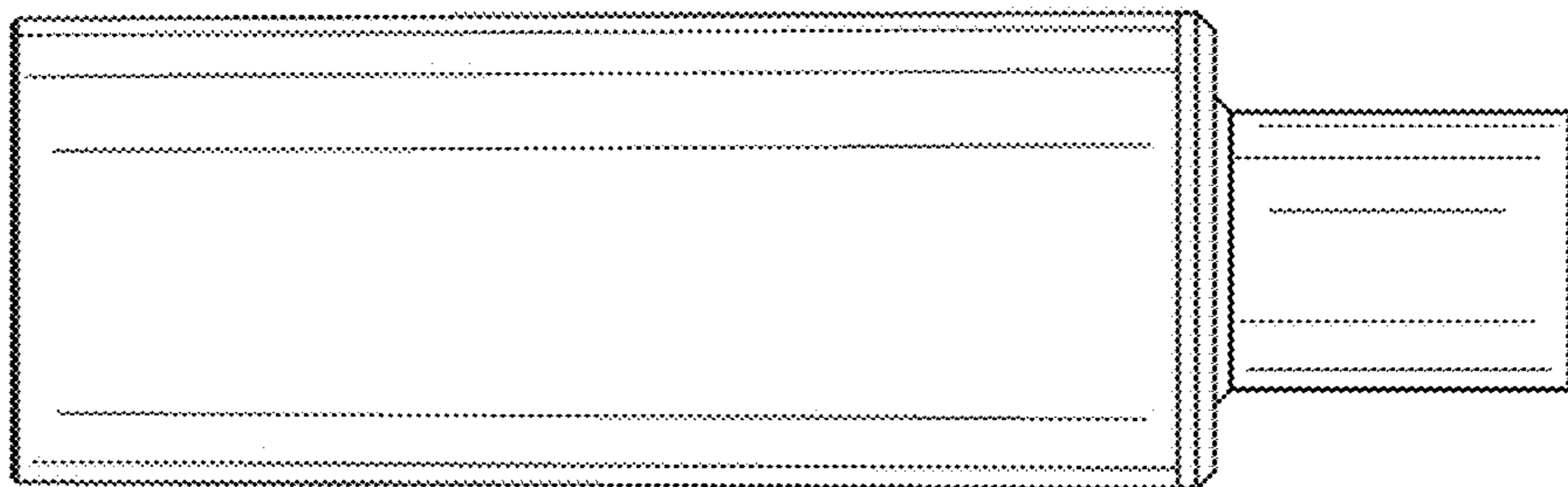


FIG. 5

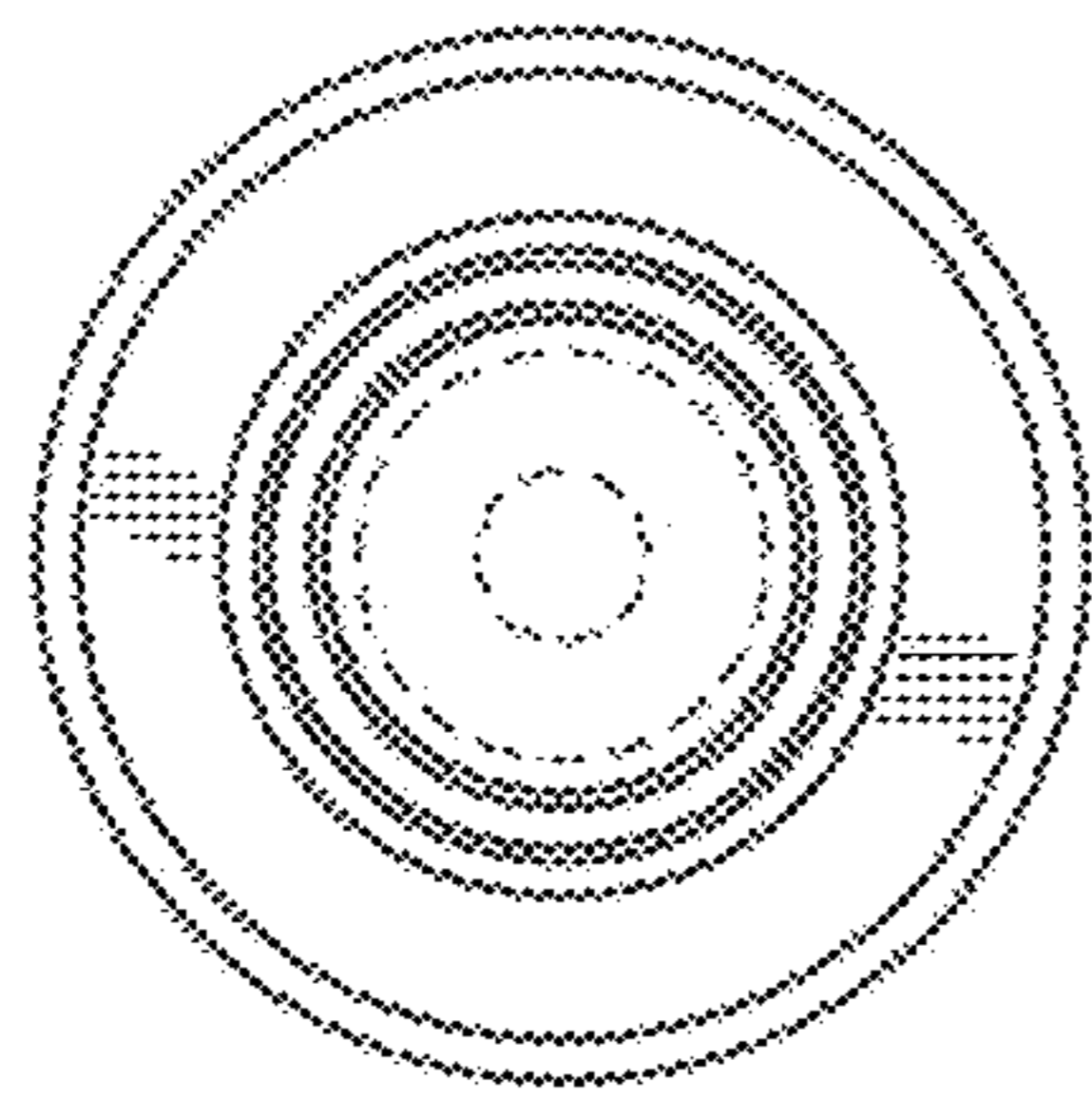


FIG. 6

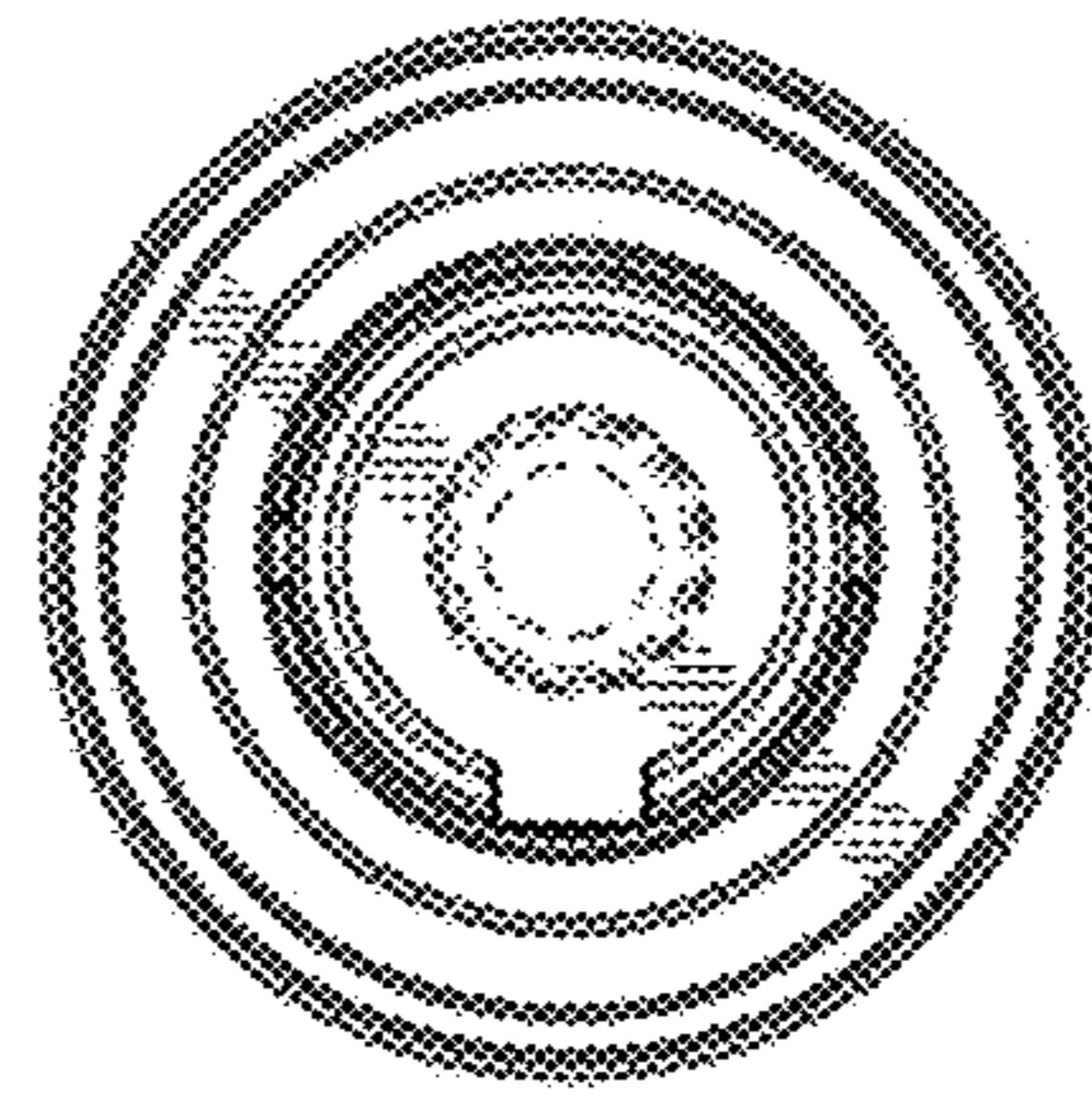


FIG. 7