



US00D823534S

(12) **United States Design Patent**  
**Chen**

(10) **Patent No.:** **US D823,534 S**  
(45) **Date of Patent:** **\*\* Jul. 17, 2018**

(54) **ATOMIZER FOR ELECTRONIC CIGARETTE**

(71) Applicant: **SHENZHEN SMOORE TECHNOLOGY LIMITED**, Shenzhen (CN)

(72) Inventor: **Zhiping Chen**, Shenzhen (CN)

(73) Assignee: **SHENZHEN SMOORE TECHNOLOGY LIMITED**, Shenzhen (CN)

(\*\*) Term: **15 Years**

(21) Appl. No.: **29/606,439**

(22) Filed: **Jun. 5, 2017**

(30) **Foreign Application Priority Data**

Feb. 23, 2017 (CN) ..... 2017 3 0049067

(51) **LOC (11) Cl.** ..... **27-02**

(52) **U.S. Cl.**  
USPC ..... **D27/162**

(58) **Field of Classification Search**  
USPC ..... D27/101, 106, 108, 163, 165, 169, 172,  
D27/174, 175, 183, 186-190, 193, 195,  
D27/131, 141, 142, 152, 153, 160;  
D24/110; 131/273, 274, 191, 328-330;  
128/202.21, 203.12  
CPC .... A24F 47/002; A24F 47/004; A24F 47/006;  
A24F 47/008; A61M 15/06  
See application file for complete search history.

(56) **References Cited**

**U.S. PATENT DOCUMENTS**

D727,562 S \* 4/2015 Li ..... D27/101  
D729,440 S \* 5/2015 Liu ..... D27/101

D731,112 S \* 6/2015 Li ..... D27/101  
D749,261 S \* 2/2016 Chen ..... D27/162  
D751,249 S \* 3/2016 Chen ..... D27/101  
D771,307 S \* 11/2016 Wu ..... D27/101  
D778,492 S \* 2/2017 Liu ..... D27/101  
D780,372 S \* 2/2017 Liu ..... D27/101  
D783,117 S \* 4/2017 Gilbarte ..... D22/117  
D792,022 S \* 7/2017 Li ..... D27/167  
D806,943 S \* 1/2018 Liu ..... D27/101  
D811,652 S \* 2/2018 Liu ..... D27/167  
2018/0027881 A1\* 2/2018 Chen ..... A24F 47/008

\* cited by examiner

*Primary Examiner* — Susan Bennett Hattan

*Assistant Examiner* — Rebecca Tsehaye

(74) *Attorney, Agent, or Firm* — Ladas & Parry LLP

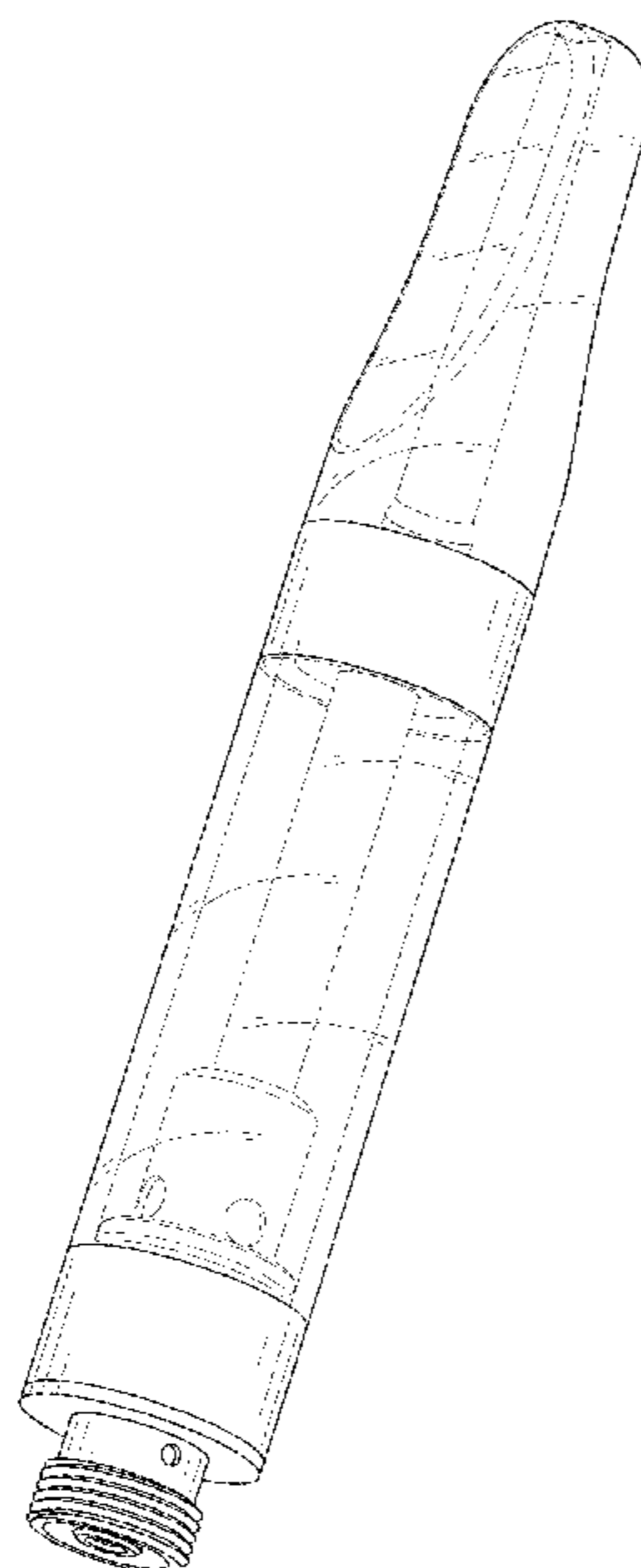
(57) **CLAIM**

The ornamental design for an atomizer for electronic cigarette, as shown and described.

**DESCRIPTION**

FIG. 1 is a front elevational view of an atomizer for electronic cigarette showing my new design;  
FIG. 2 is a rear elevational view thereof;  
FIG. 3 is a left side elevational view thereof;  
FIG. 4 is a right side elevational view thereof;  
FIG. 5 is a top plan view thereof;  
FIG. 6 is a bottom plan view thereof;  
FIG. 7 is a perspective view thereof; and,  
FIG. 8 is another perspective view thereof.

**1 Claim, 8 Drawing Sheets**



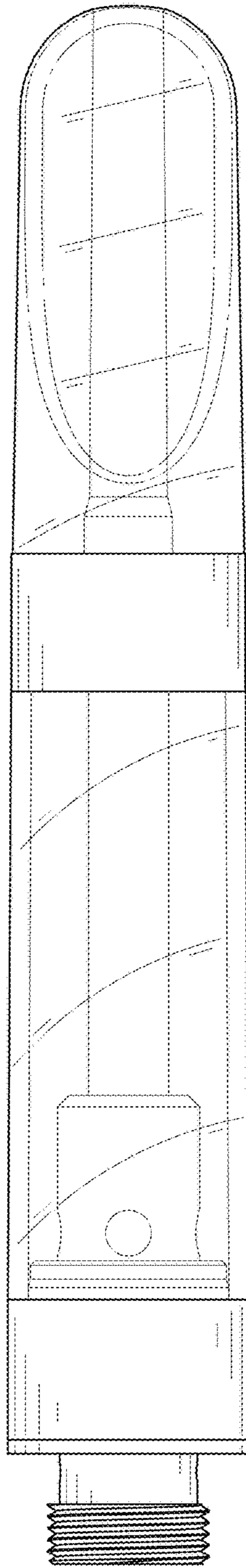


FIG. 1

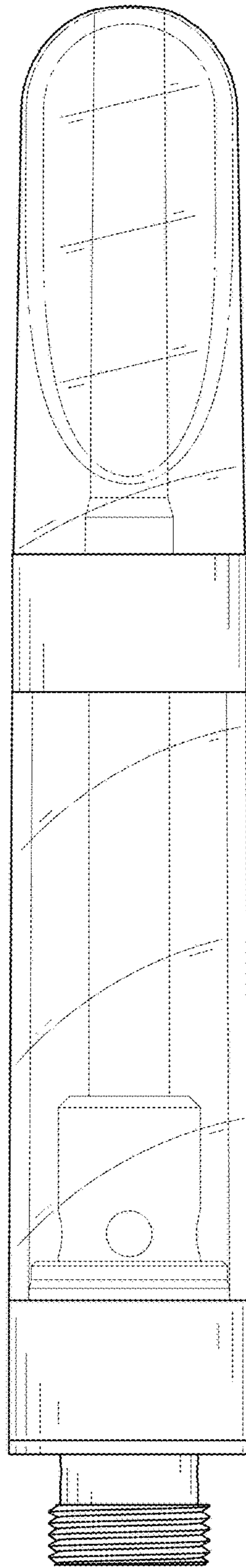


FIG. 2

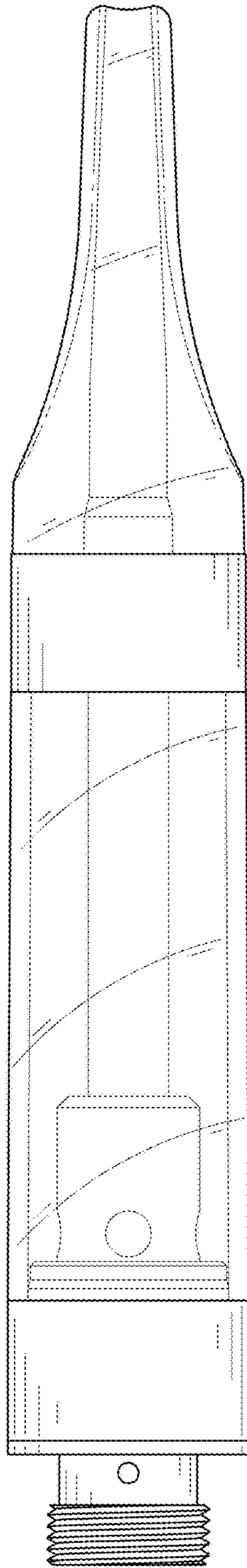


FIG. 3

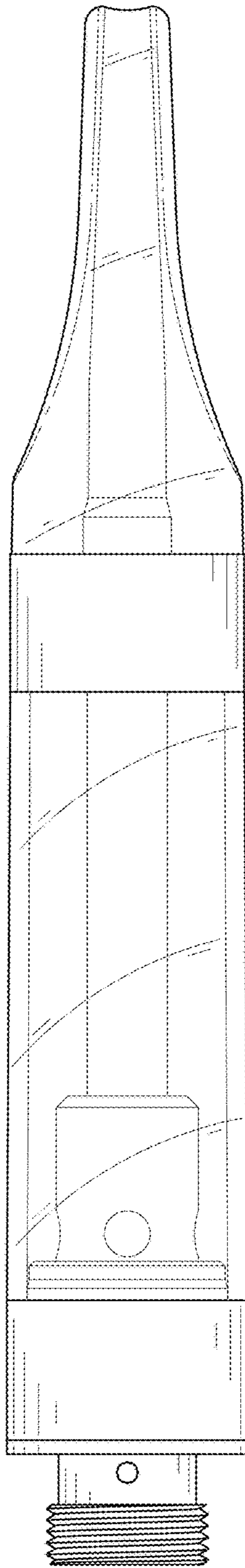


FIG. 4

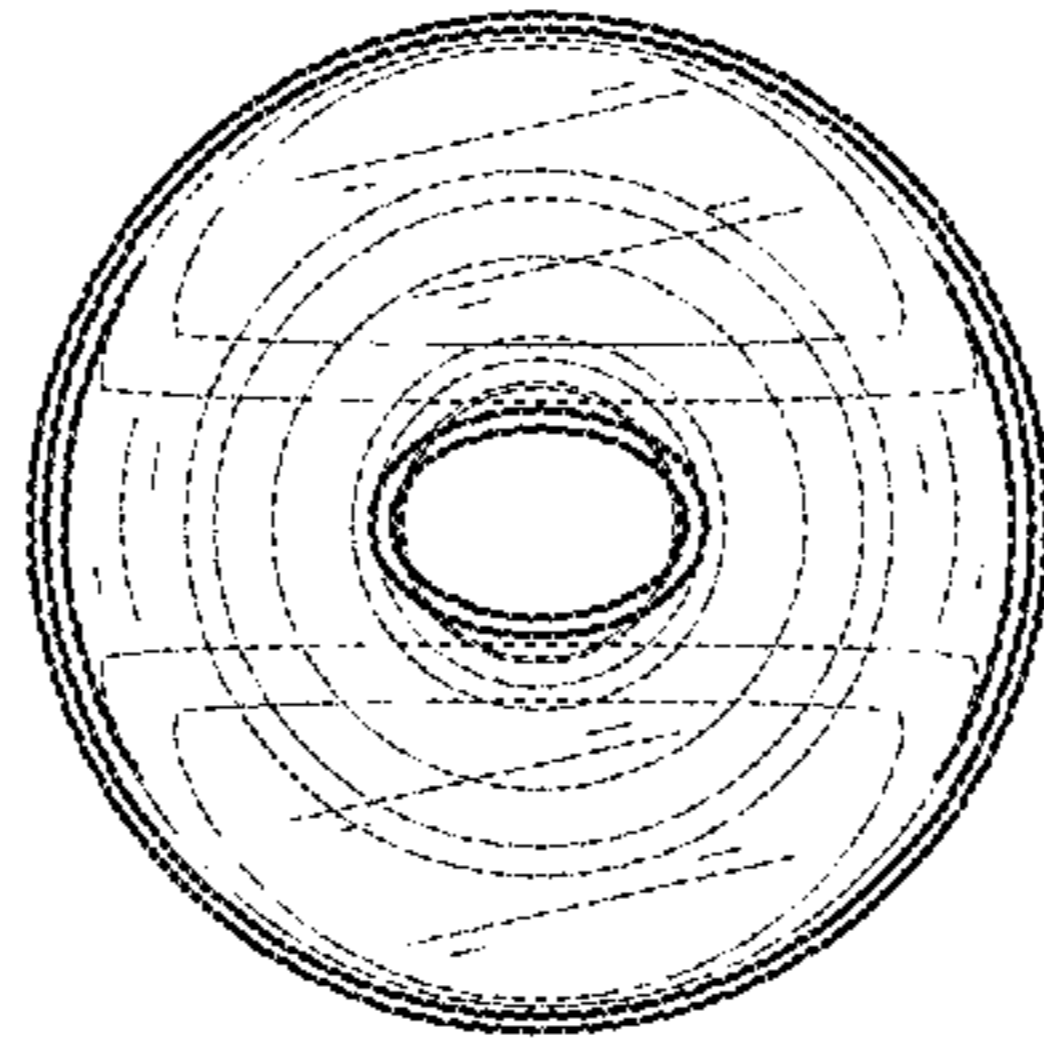


FIG. 5

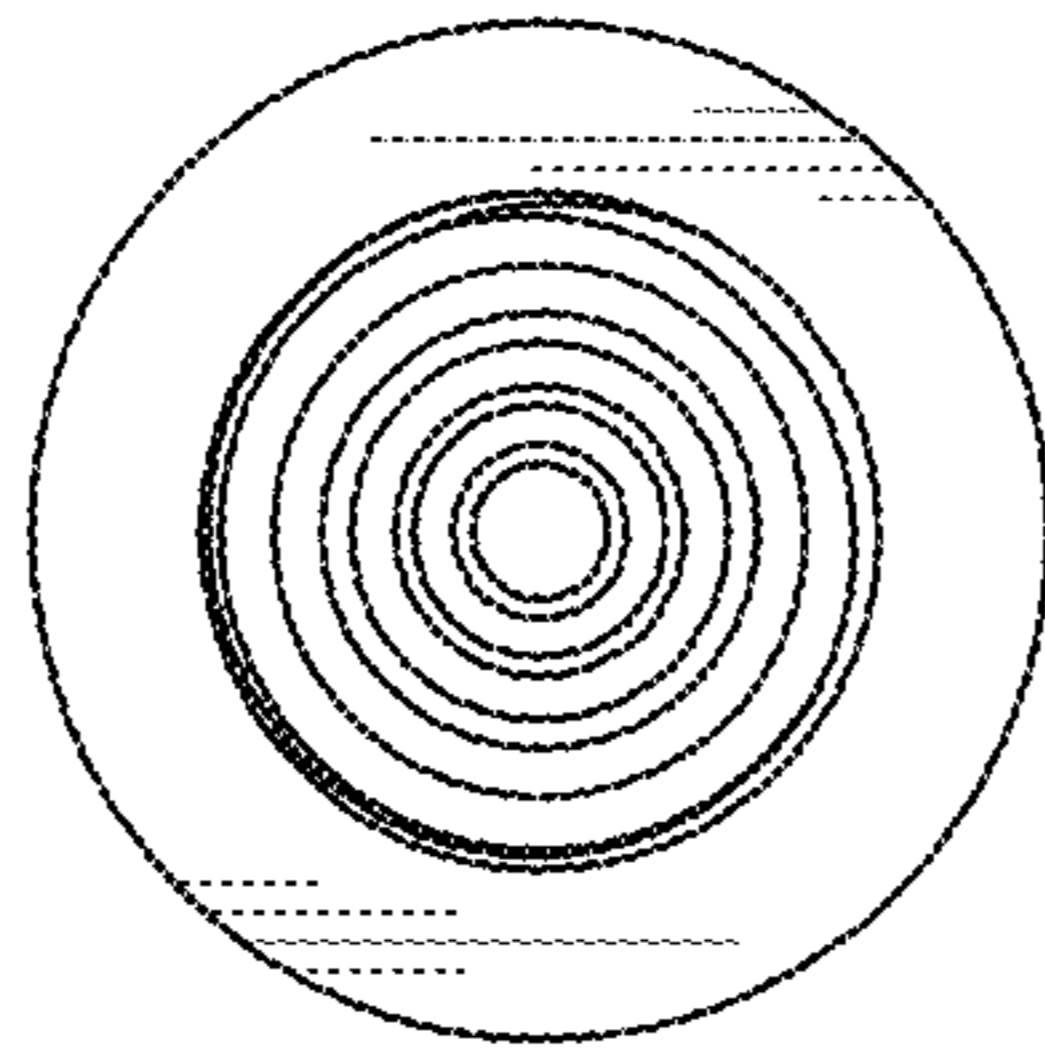


FIG. 6

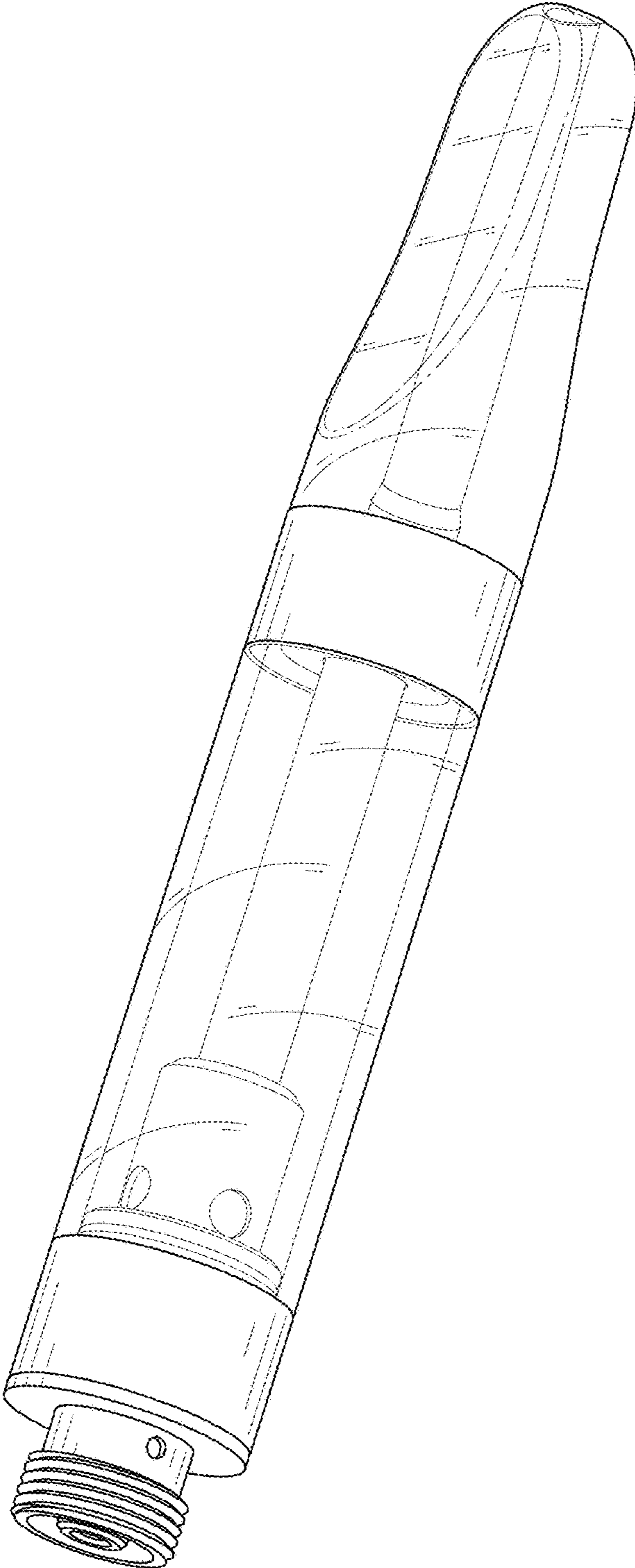


FIG. 7



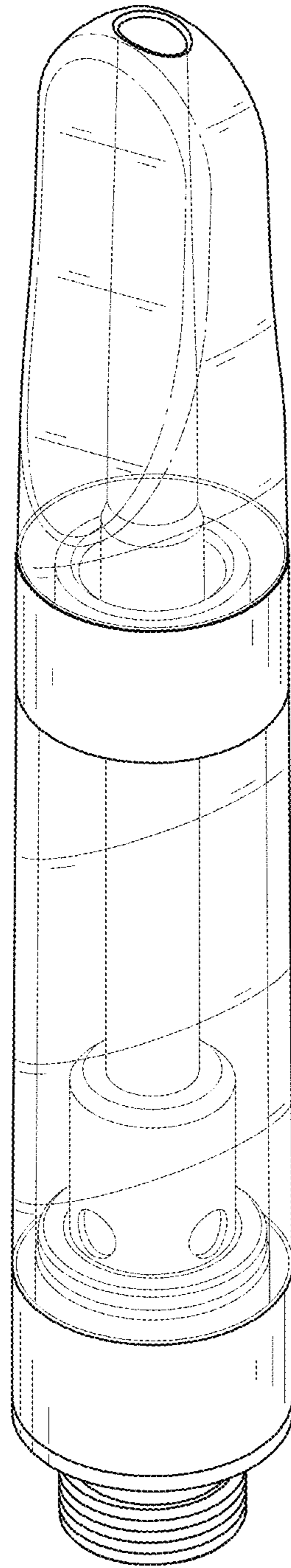


FIG. 8

UNITED STATES PATENT AND TRADEMARK OFFICE  
**CERTIFICATE OF CORRECTION**

PATENT NO. : D823,534 S  
APPLICATION NO. : 29/606439  
DATED : July 17, 2018  
INVENTOR(S) : Zhenyu Wu

Page 1 of 1

It is certified that error appears in the above-identified patent and that said Letters Patent is hereby corrected as shown below:

On the Title Page

Under item (12), "Chen" should read --Wu--

Item (72), Correction of the inventor from Zhiping Chen to Zhenyu Wu, Shenzhen, China

Signed and Sealed this  
Twenty-fifth Day of October, 2022  
*Katherine Kelly Vidal*

Katherine Kelly Vidal  
*Director of the United States Patent and Trademark Office*