

US00D823533S

(12) **United States Design Patent**
Huff

(10) **Patent No.:** **US D823,533 S**

(45) **Date of Patent:** **** Jul. 17, 2018**

- (54) **ELECTRIC LIGHTER**
- (71) Applicant: **Terry Gene Huff**, Tulsa, OK (US)
- (72) Inventor: **Terry Gene Huff**, Tulsa, OK (US)
- (73) Assignee: **Terry G. Huff**, Tahlequah, OK (US)
- (**) Term: **15 Years**

D440,821 S *	4/2001	Yu	D7/416
D470,625 S *	2/2003	Kwok	D27/154
D471,315 S *	3/2003	Kwok	D27/154
D482,932 S *	12/2003	Sher	D7/416
D566,466 S *	4/2008	Aronson, II	D7/416
D618,507 S *	6/2010	Galimand	D7/416
D649,401 S *	11/2011	Yu	D7/416
D686,879 S *	7/2013	Ichikawa	D7/416
D759,298 S *	6/2016	Ichikawa	D27/141

* cited by examiner

- (21) Appl. No.: **29/603,079**
- (22) Filed: **May 5, 2017**
- (51) **LOC (11) Cl.** **27-05**
- (52) **U.S. Cl.**
USPC **D27/141**
- (58) **Field of Classification Search**
USPC D27/141, 142, 139, 147, 148, 153, 160;
D7/416
CPC F23Q 1/00; F23Q 7/14; F23Q 7/16
See application file for complete search history.

Primary Examiner — Susan Bennett Hattan

Assistant Examiner — Rebecca Tsehaye

(57) **CLAIM**

The ornamental design for an electric lighter, as shown and described.

DESCRIPTION

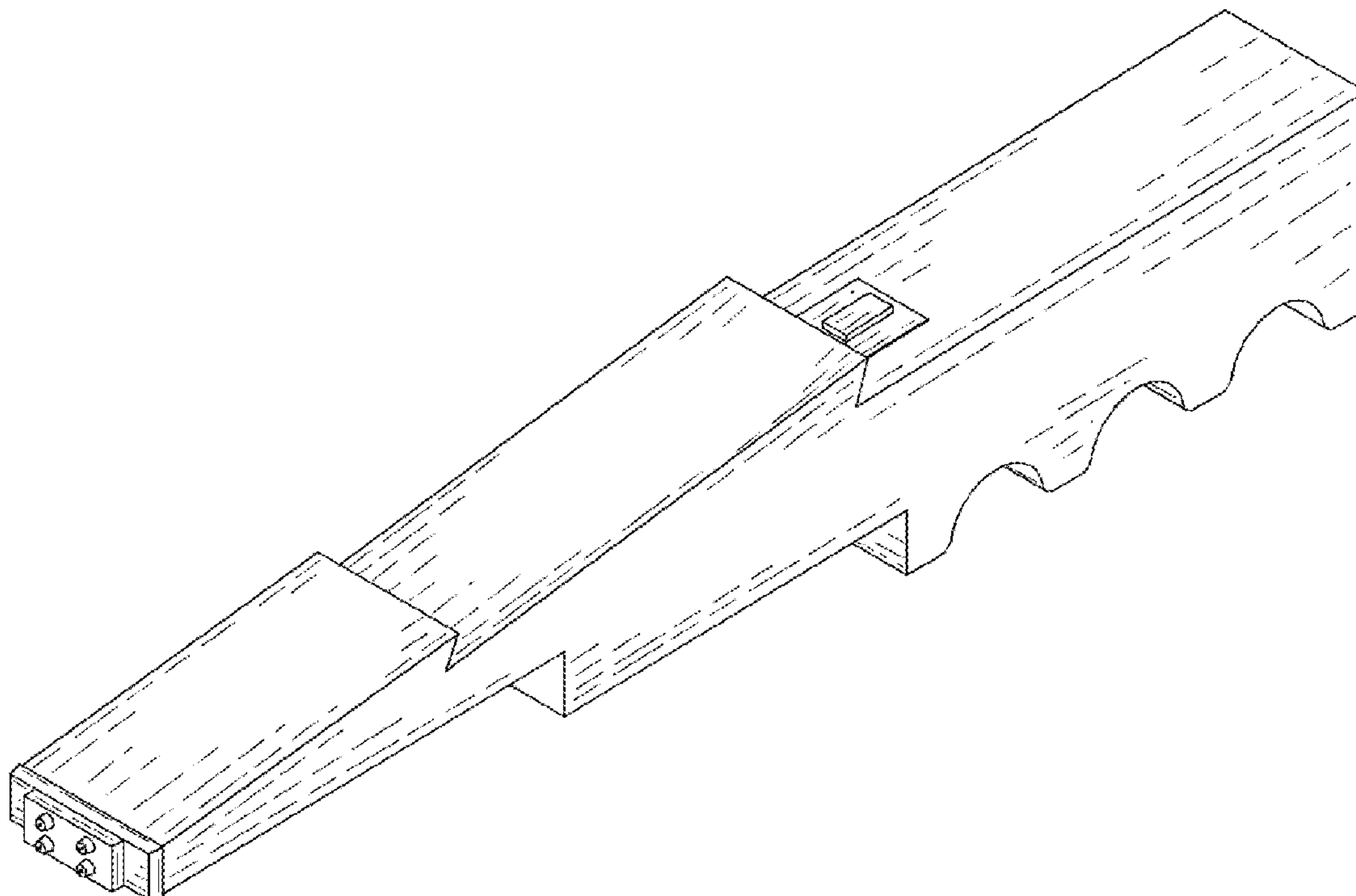
FIG. 1 is a perspective view of an electric lighter;
FIG. 2 is a bottom perspective view thereof;
FIG. 3 is a front elevational view thereof;
FIG. 4 is a rear elevational view thereof;
FIG. 5 is a left side elevational view thereof;
FIG. 6 is a right side elevational view thereof;
FIG. 7 is a top plan view thereof; and,
FIG. 8 is a bottom plan view thereof.

(56) **References Cited**

U.S. PATENT DOCUMENTS

D364,313 S *	11/1995	Zemel	D7/416
D407,945 S *	4/1999	Moran, IV	D7/416

1 Claim, 8 Drawing Sheets



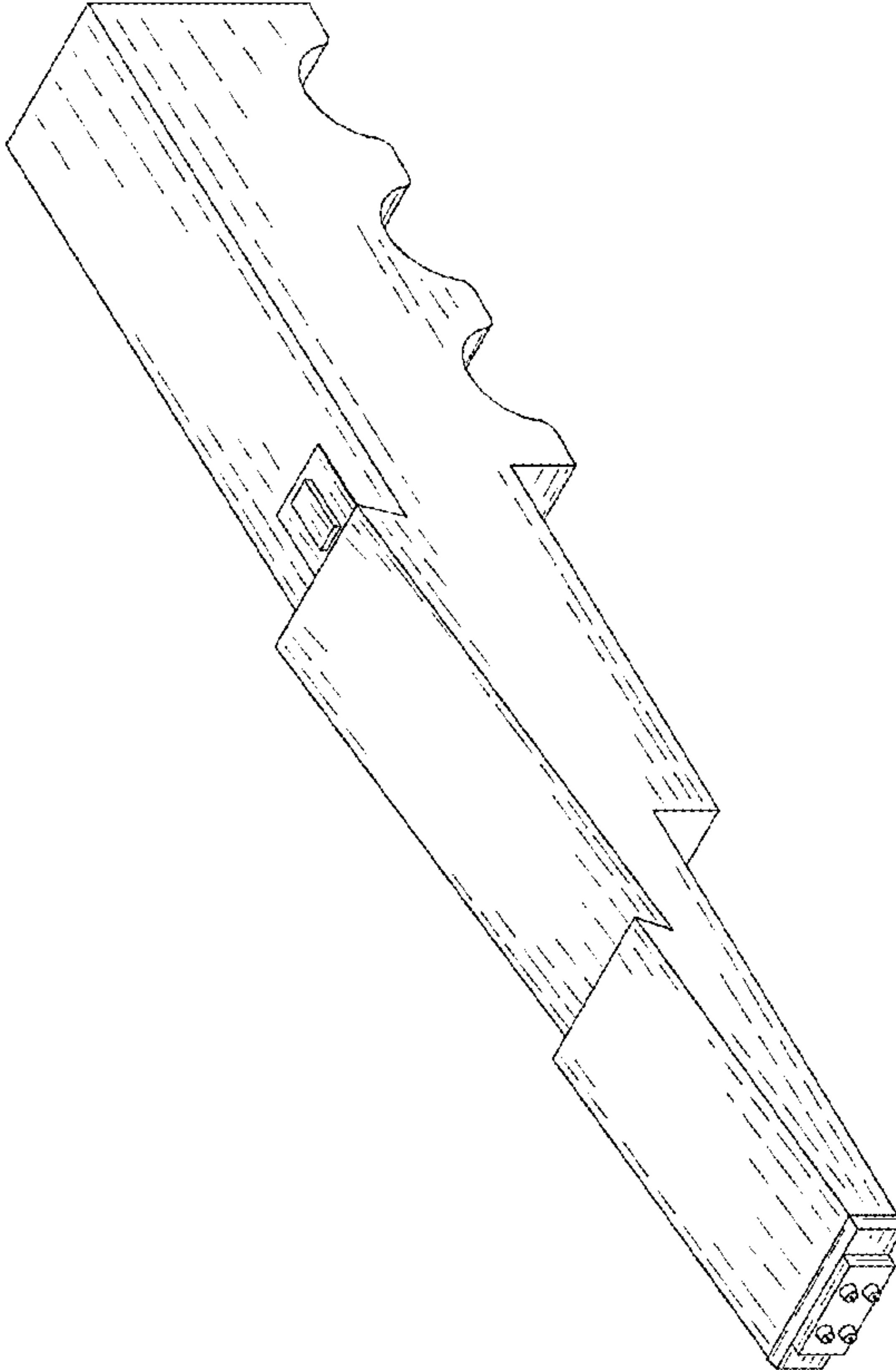


FIG. 1

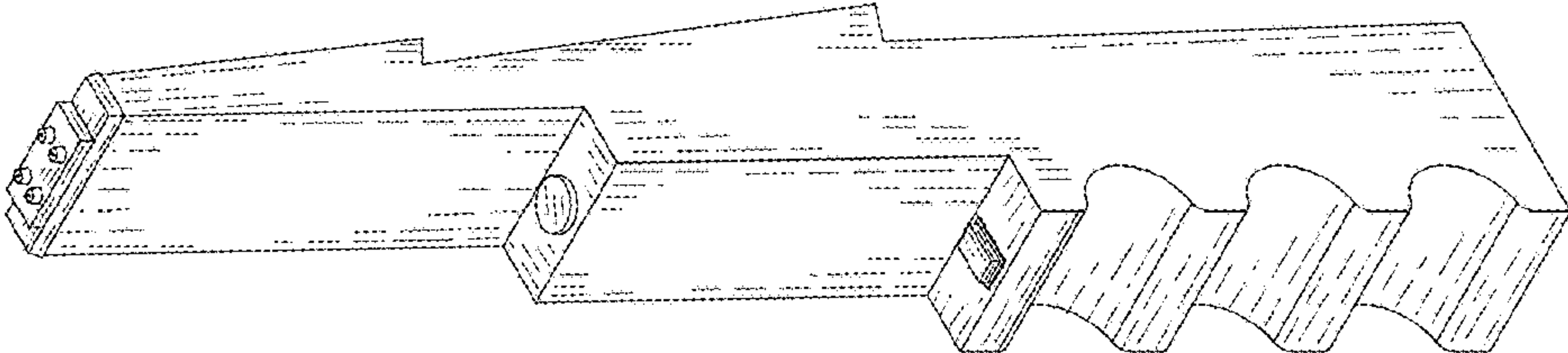


FIG. 2

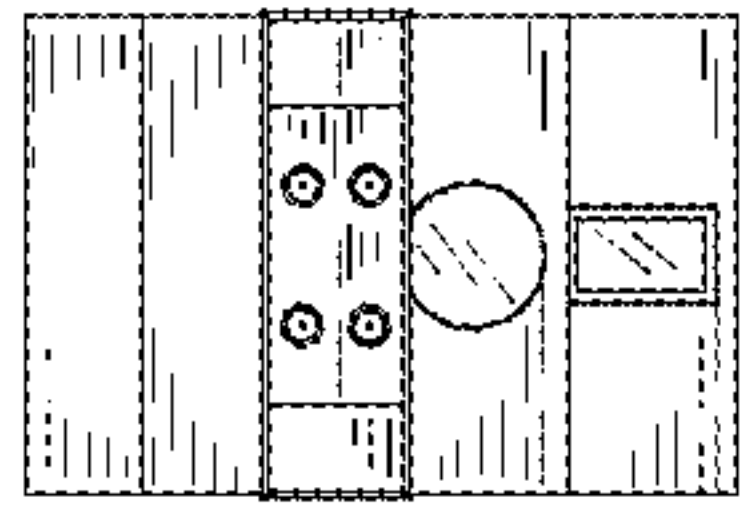


FIG. 3

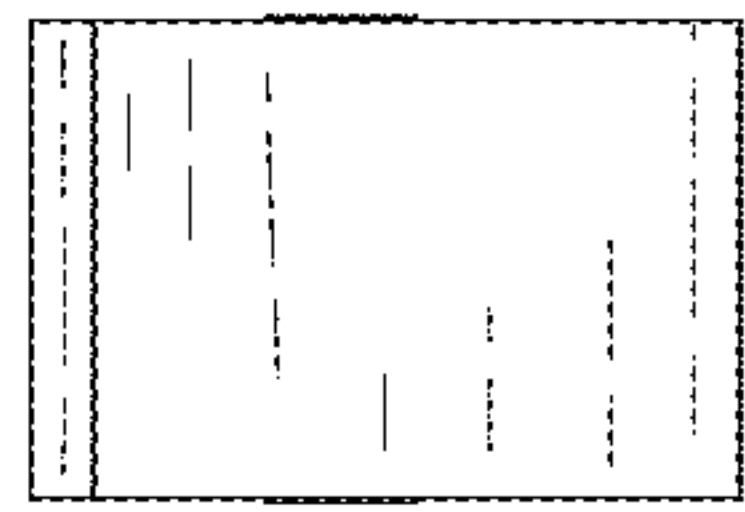


FIG. 4

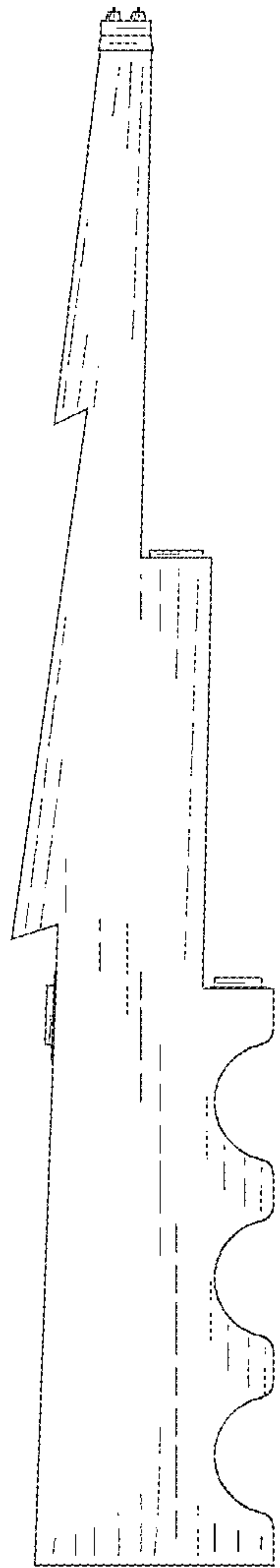


FIG. 5

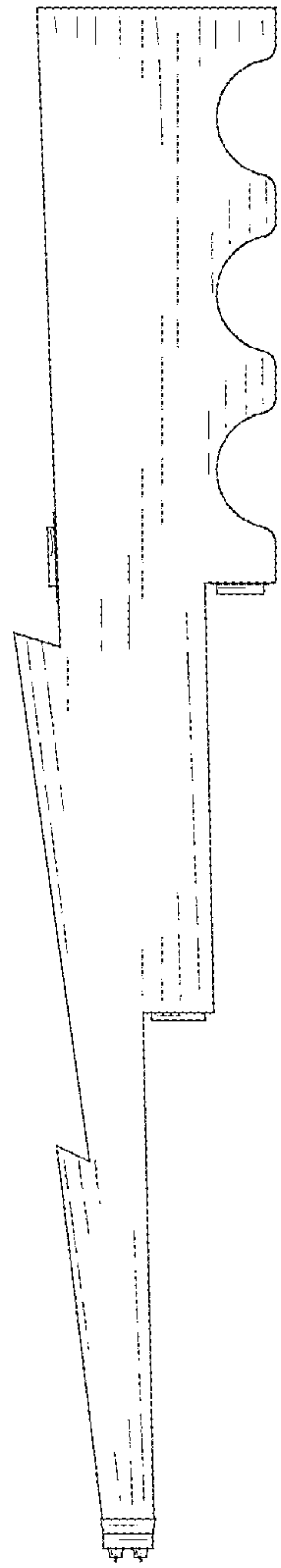


FIG. 6

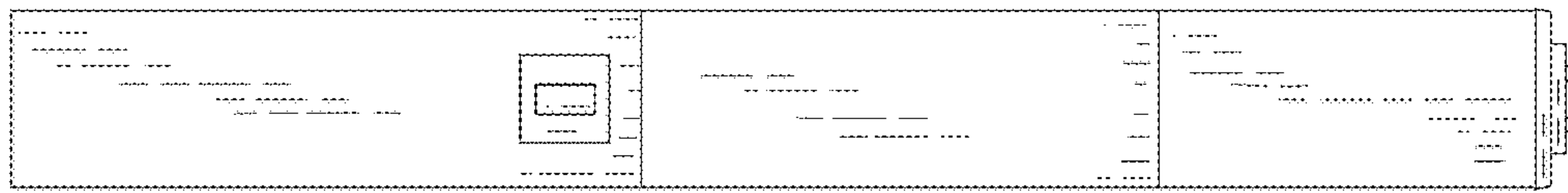


FIG. 7

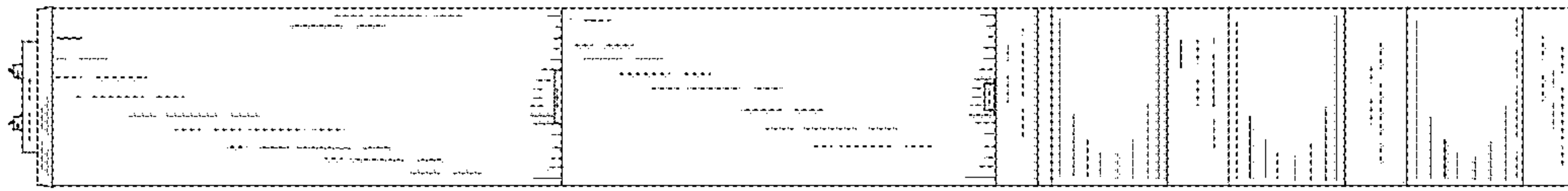


FIG. 8