



US00D823532S

(12) **United States Design Patent**
Chen et al.

(10) **Patent No.:** **US D823,532 S**
(45) **Date of Patent:** **** Jul. 17, 2018**

(54) **LED MODULE**

(71) Applicant: **HANGZHOU HPWINNER OPTO CORPORATION**, Hangzhou (CN)

(72) Inventors: **Kai Chen**, Hangzhou (CN); **Jianming Huang**, Hangzhou (CN)

(73) Assignee: **HANGZHOU HPWINNER OPTO CORPORATION**, Hangzhou (CN)

(**) Term: **15 Years**

(21) Appl. No.: **29/586,653**

(22) Filed: **Dec. 6, 2016**

(30) **Foreign Application Priority Data**

Jun. 7, 2016 (CN) 2016 3 0227986

(51) **LOC (11) Cl.** **26-99**

(52) **U.S. Cl.**
USPC **D26/120**

(58) **Field of Classification Search**
USPC D26/120, 118, 47, 73, 94, 113, 122, 125,
D26/128, 147, 72, 28; D10/114.4, 114.31
CPC . B60R 1/12; F21V 11/00; F21V 21/02; F21V
5/04; F21V 5/08

See application file for complete search history.

(56) **References Cited**

U.S. PATENT DOCUMENTS

D675,370 S *	1/2013	Lin	D26/120
D699,880 S *	2/2014	Szoke	D26/74
D774,686 S *	12/2016	Neufeglise	D26/122
D789,594 S *	6/2017	Goltche	D26/120
D792,639 S *	7/2017	Deyaf	D26/120

* cited by examiner

Primary Examiner — Brian N. Vinson

(74) *Attorney, Agent, or Firm* — Brown & Michaels, PC

(57) **CLAIM**

The ornamental design for a LED module, as shown and described.

DESCRIPTION

FIG. 1 is a front view of the LED module of the present invention.

FIG. 2 is a rear view of the LED module.

FIG. 3 is a left side view of the LED module.

FIG. 4 is a right side view of the LED module.

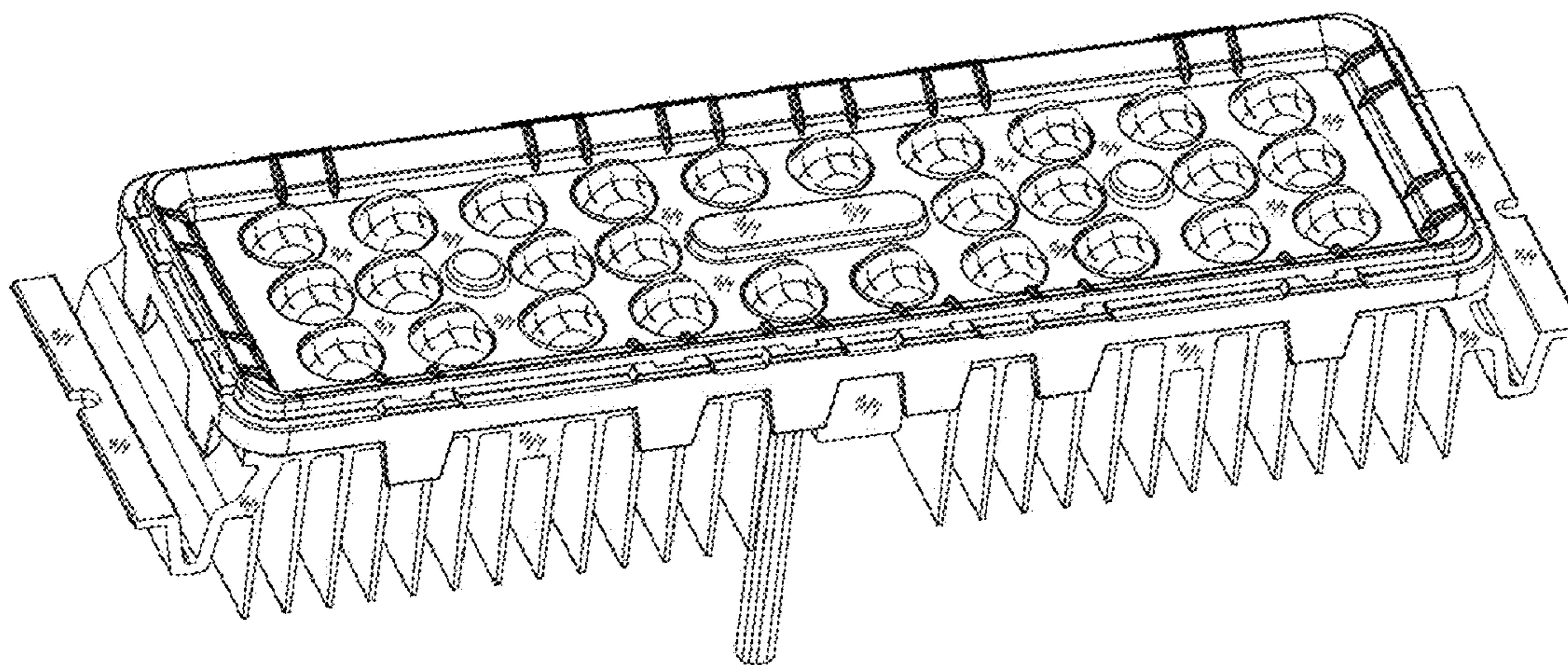
FIG. 5 is a top view of the LED module.

FIG. 6 is a bottom view of the LED module.

FIG. 7 is a first perspective view of the LED module; and,

FIG. 8 is a second perspective view of the LED module.

1 Claim, 3 Drawing Sheets



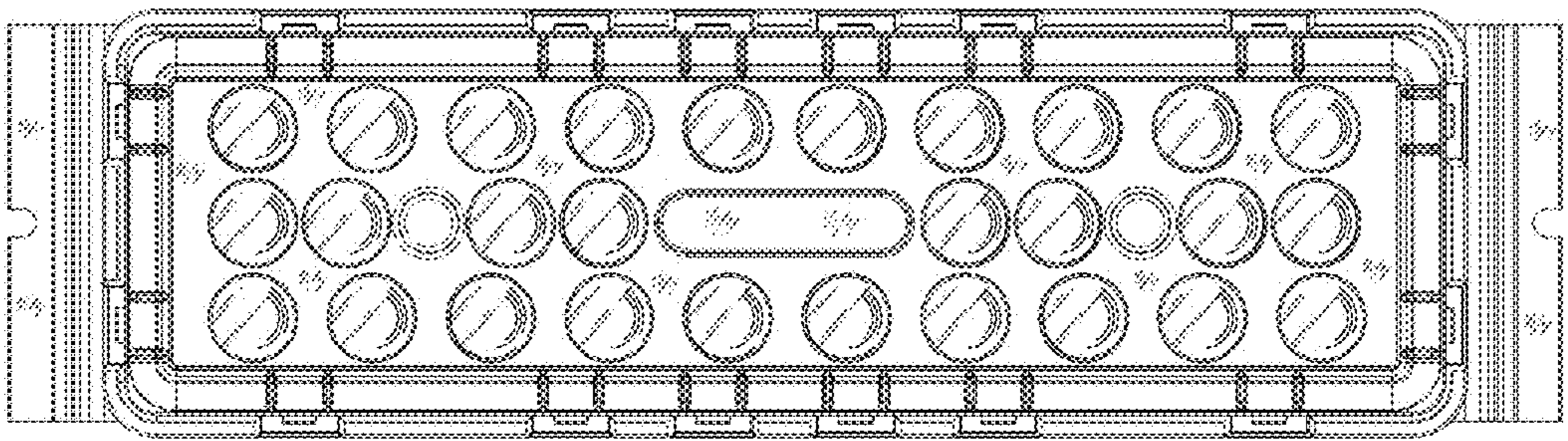


Fig.1

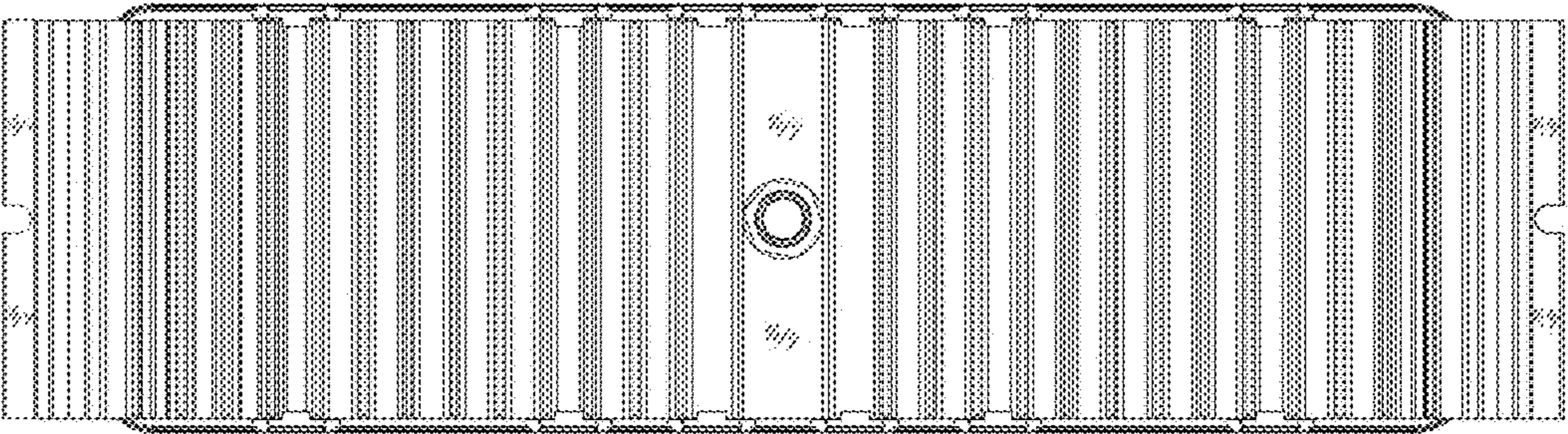


Fig.2

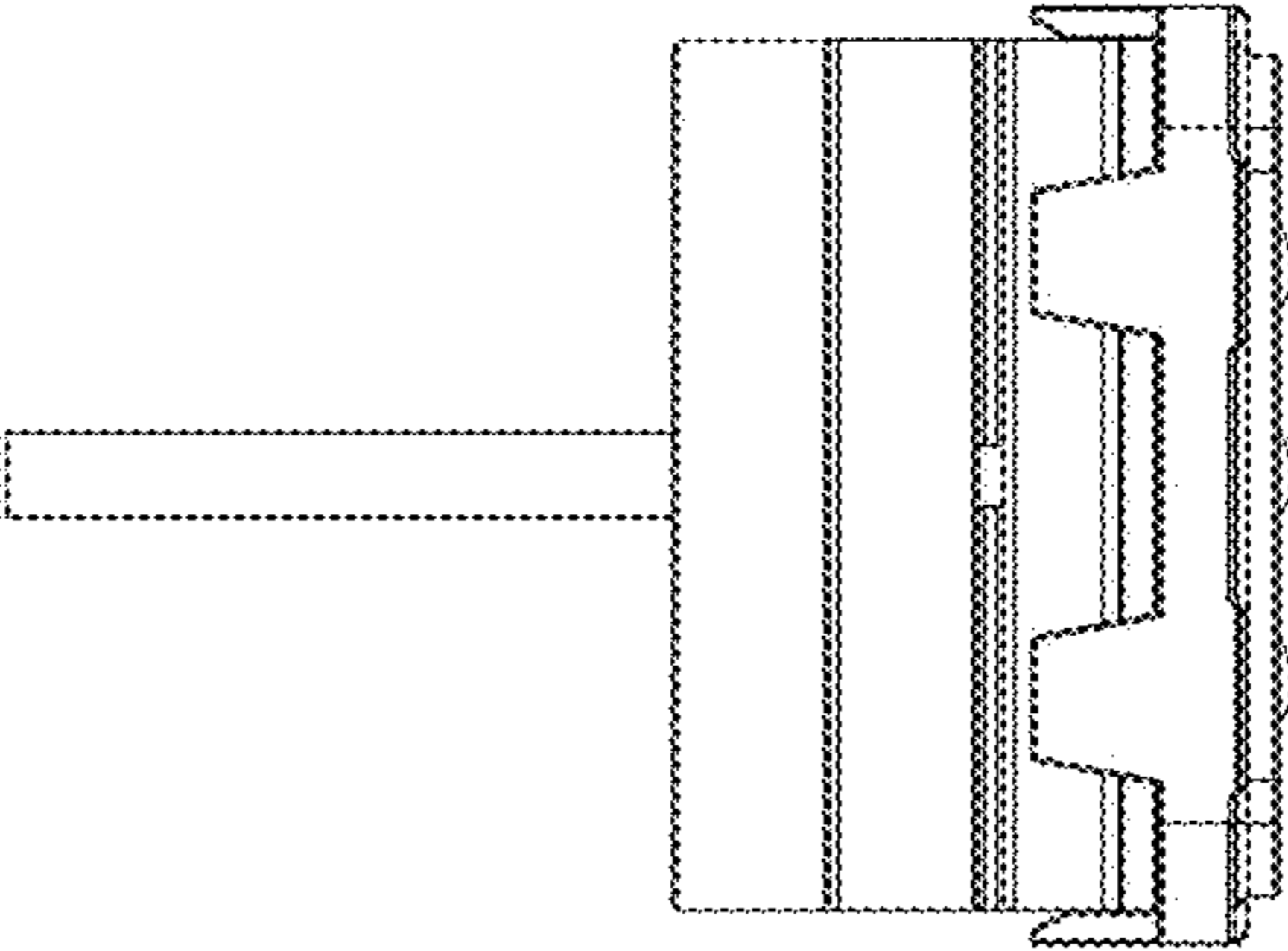


Fig.3

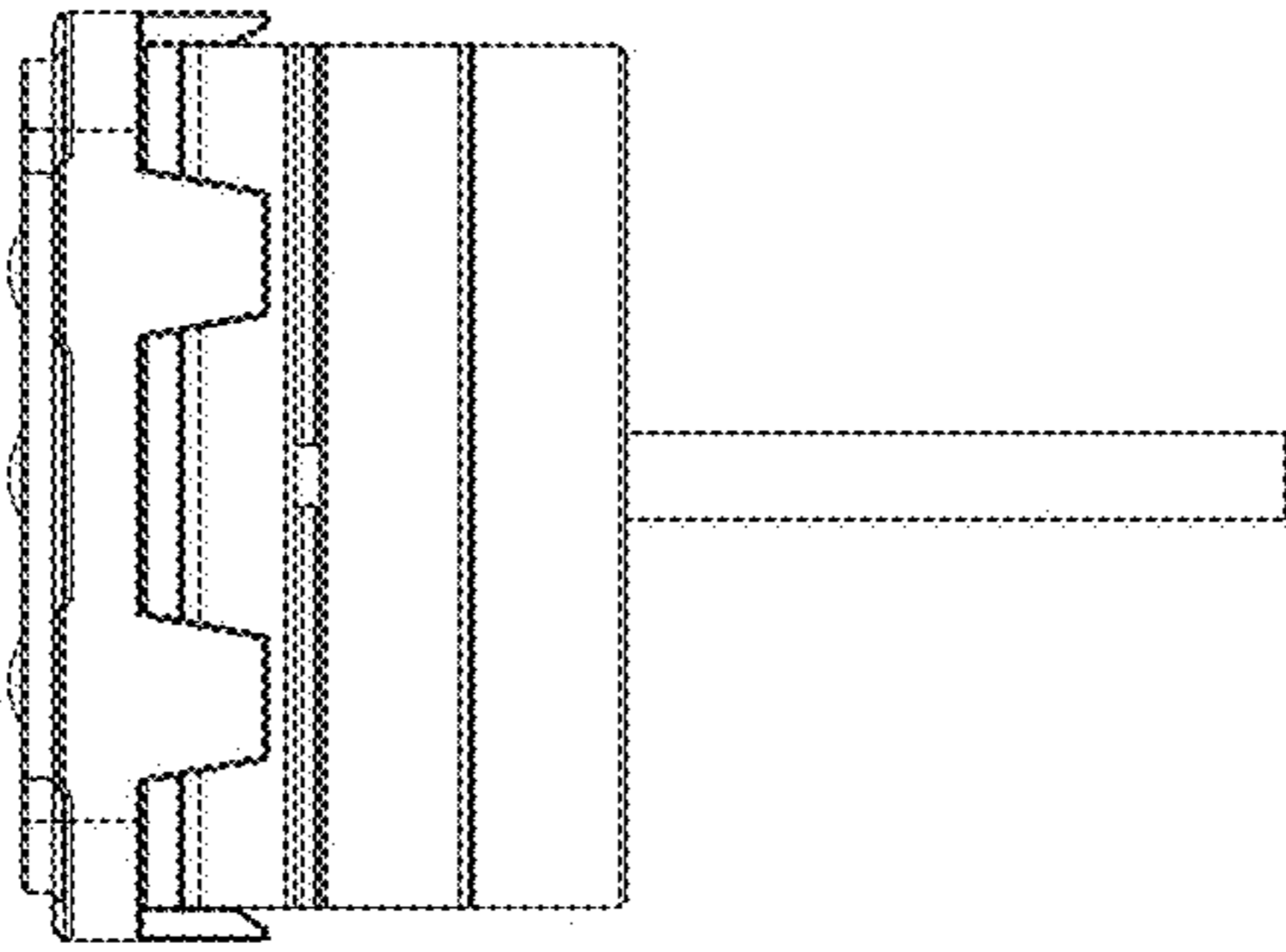


Fig.4

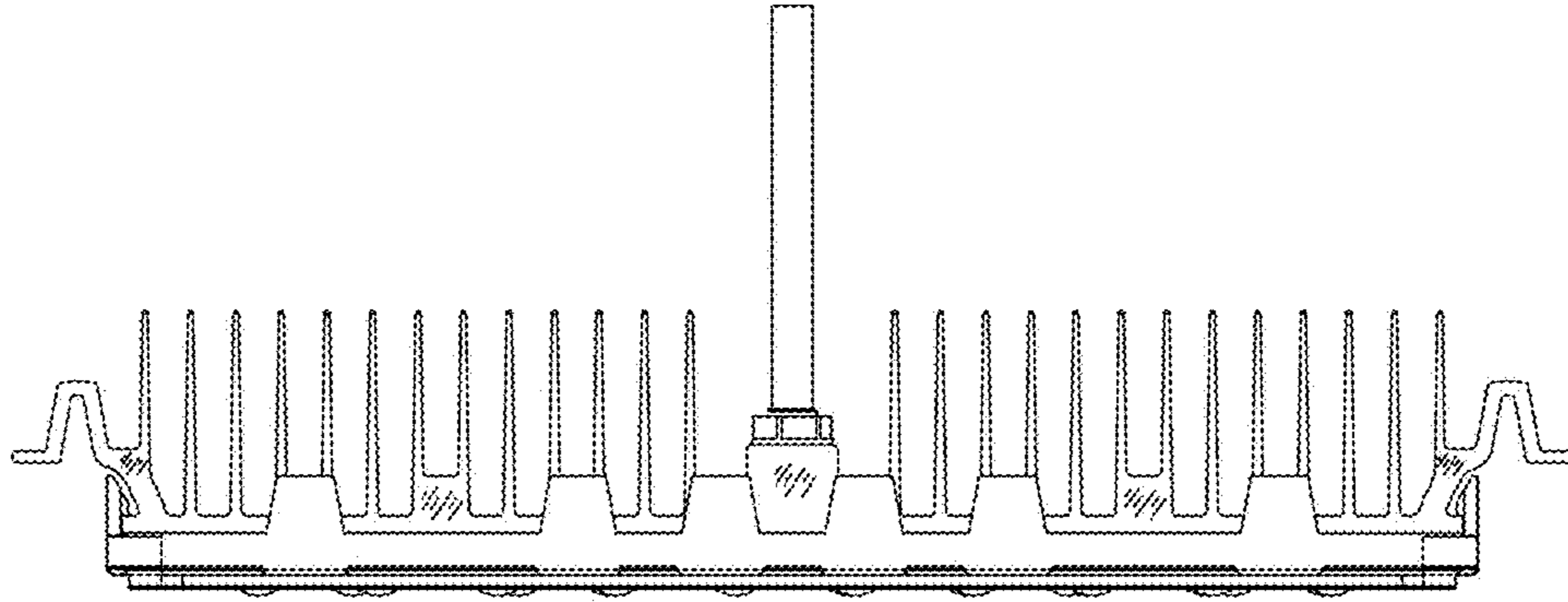


Fig. 5

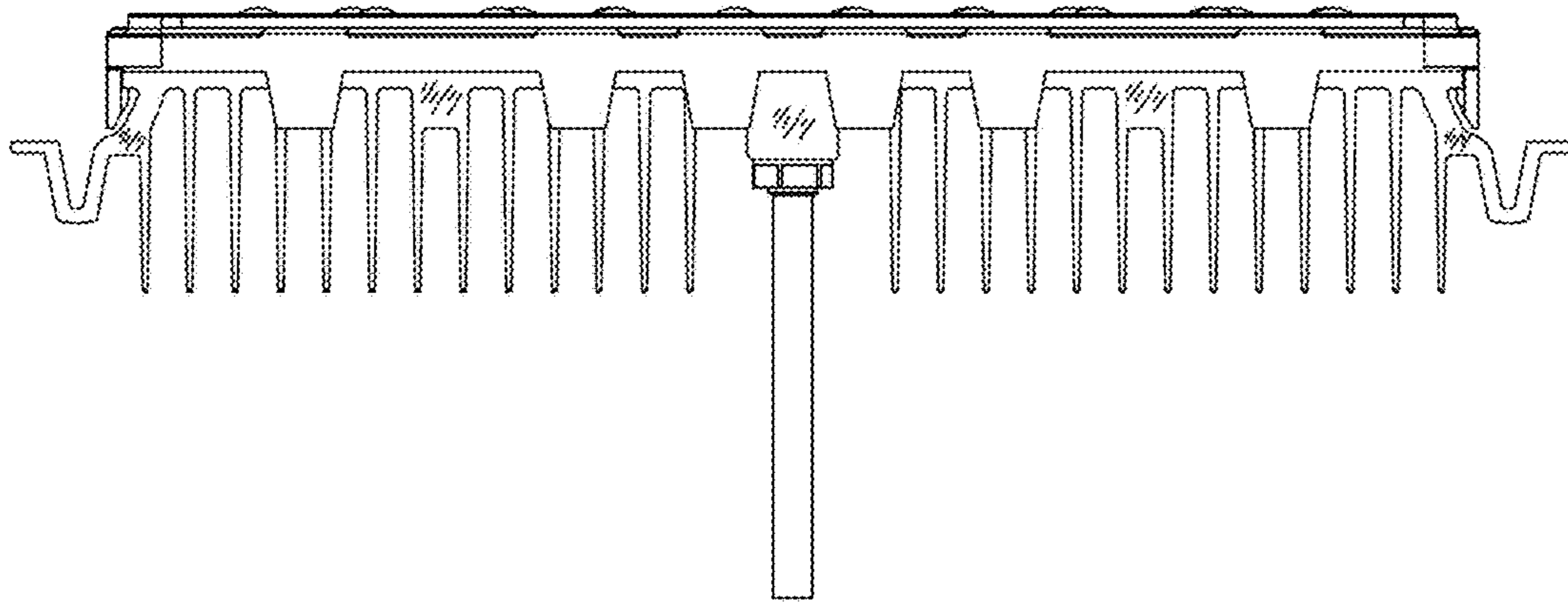


Fig. 6

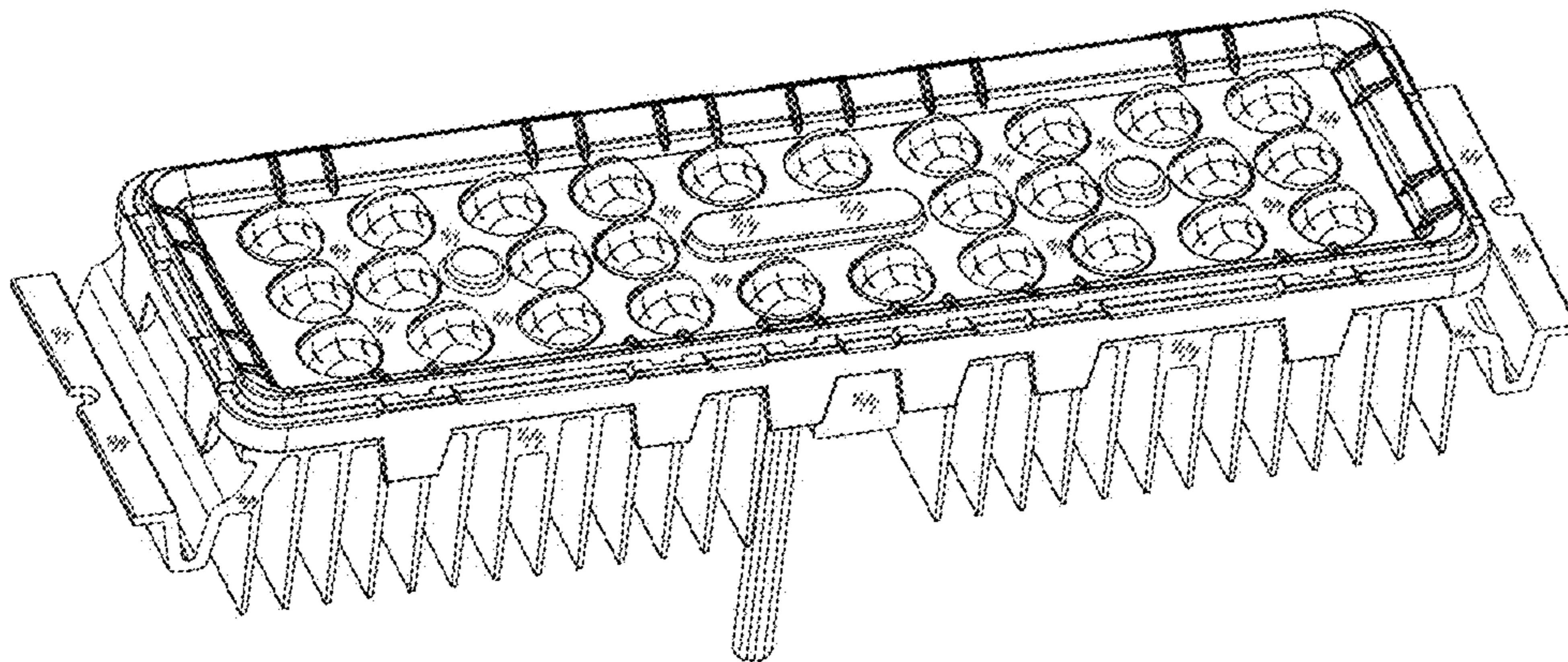


Fig. 7

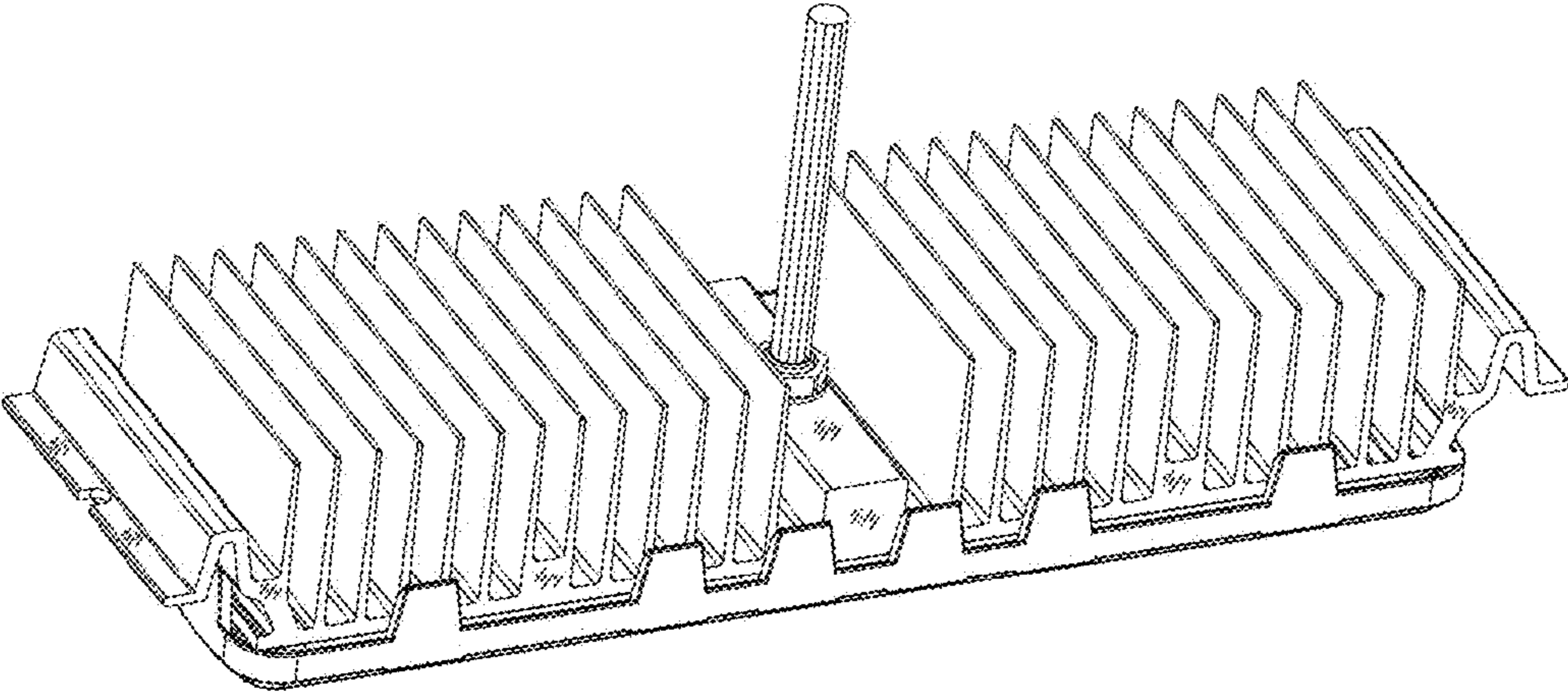


Fig.8