



US00D823529S

(12) **United States Design Patent** (10) **Patent No.:** **US D823,529 S**  
**Pernthaler et al.** (45) **Date of Patent:** **\*\* Jul. 17, 2018**

(54) **LUMINAIRE**  
(71) Applicant: **ZUMTOBEL LIGHTING GMBH,**  
Dornbirn (AT)  
(72) Inventors: **Benjamin Pernthaler,** Graz (AT);  
**Markus Pernthaler,** Graz (AT)  
(73) Assignee: **ZUMTOBEL LIGHTING GMBH,**  
Dornbirn (AT)

D147,542 S \* 9/1947 Fanelli ..... D26/107  
D176,549 S \* 1/1956 Mugnai ..... D26/109  
D223,504 S \* 4/1972 Ishikawa ..... D26/107  
D243,711 S \* 3/1977 Haft ..... D26/109  
D247,757 S \* 4/1978 Donato ..... D26/109  
D316,610 S \* 4/1991 Winn ..... D26/107  
D341,673 S \* 11/1993 Yuen ..... D26/65  
D522,681 S \* 6/2006 Chen ..... D26/107  
D731,699 S \* 6/2015 Fishman ..... D26/106  
D811,645 S \* 2/2018 Kim ..... D26/107

(\*\*) Term: **15 Years**  
(21) Appl. No.: **29/563,816**  
(22) Filed: **May 9, 2016**

(30) **Foreign Application Priority Data**  
Nov. 9, 2015 (EM) ..... 002852756  
(51) **LOC (11) Cl.** ..... **26-05**  
(52) **U.S. Cl.**  
USPC ..... **D26/109**  
(58) **Field of Classification Search**  
USPC ..... D10/111–114.9; D14/473; D25/126,  
D25/129; D26/1, 23, 24, 60–66, 93, 101,  
D26/104–110, 112, 113, 118, 120, 144,  
D26/154, 128, 142  
CPC .... F21S 6/00; F21S 6/002; F21S 6/003; F21S  
6/004; F21S 6/005; F21S 6/006; F21S  
6/008; F21V 21/02; F21V 21/08; F21W  
2131/30  
See application file for complete search history.

(56) **References Cited**  
U.S. PATENT DOCUMENTS

D125,924 S \* 3/1941 Murray ..... D26/109  
D128,285 S \* 7/1941 Herr ..... 362/217.08  
D146,116 S \* 12/1946 Materson ..... D26/109

**OTHER PUBLICATIONS**

Astro Goya 760 LED Wall Light (available online) Retrieved from the internet Jun. 2, 2017, retrieved from the internet URL: <https://www.lovelights.co.uk/led-lighting-c17/astro-goya-760-led-wall-light-p22246>.\*

(Continued)

*Primary Examiner* — Kevin K Rudzinski  
*Assistant Examiner* — Richard Kearney  
(74) *Attorney, Agent, or Firm* — Scully Scott Murphy and Presser; Frank Digiglio

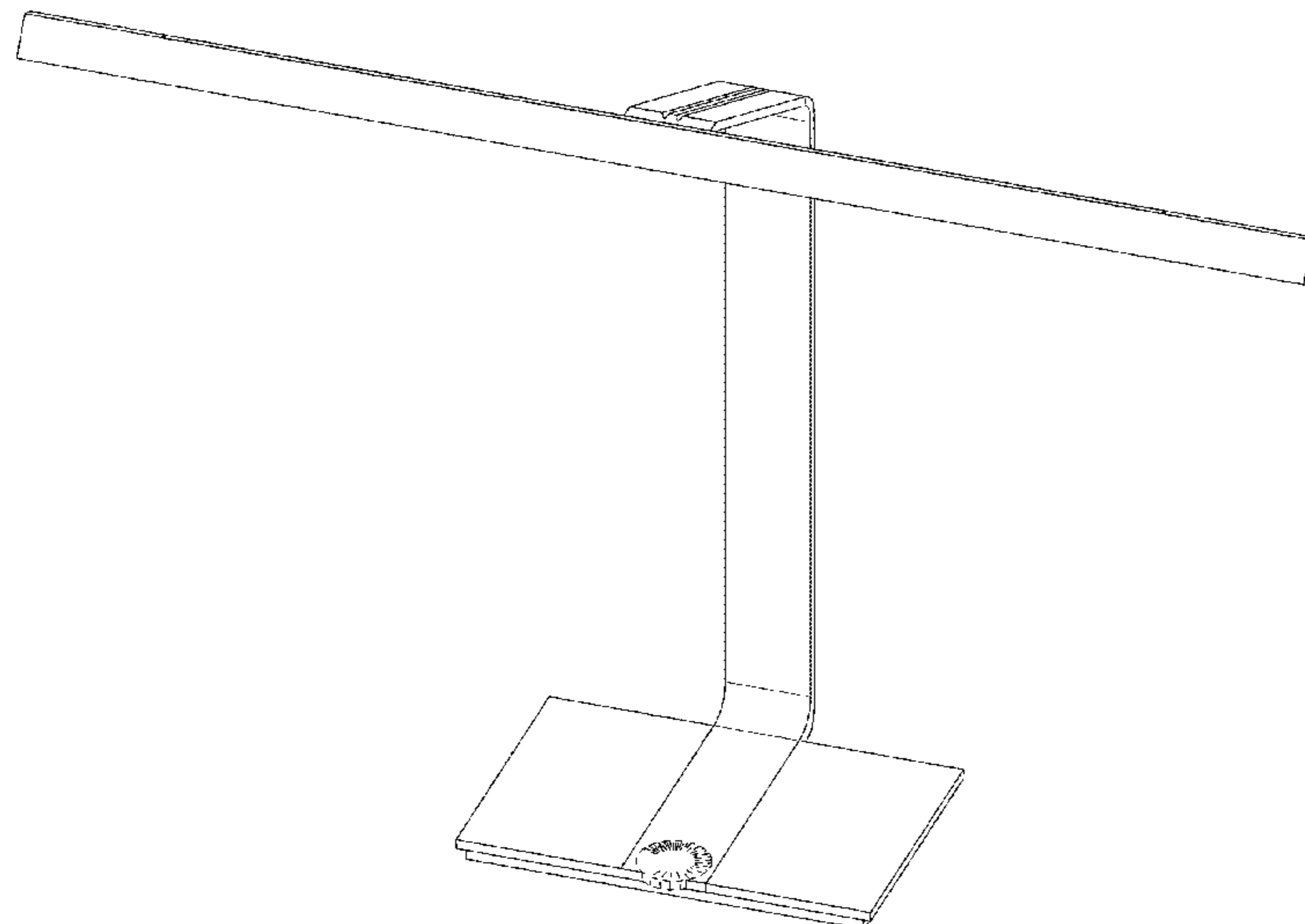
(57) **CLAIM**

The ornamental design for a luminaire, as shown and described.

**DESCRIPTION**

FIG. 1 illustrates a perspective view of a luminaire, showing our new and ornamental design;  
FIG. 2 illustrates a back view thereof;  
FIG. 3 illustrates a bottom view thereof;  
FIG. 4 illustrates a front view thereof;  
FIG. 5 illustrates a top view thereof; and,  
FIG. 6 illustrates a side view thereof.  
The broken line showing of a luminaire is included for the purpose of illustrating portions of the article that form no part of the claimed design.

**1 Claim, 6 Drawing Sheets**



(56)

**References Cited**

OTHER PUBLICATIONS

Tignum desk light (available online Oct. 12, 2015) Retrieved from the internet Jun. 22, 2017, retrieved from the internet URL: <http://www.lightlive.com/en/20151210-purist-elegance-for-ergonomic-working-light/>.\*

Vintage 1979 Inter-World Fluorescent Desk Lamp Model 402 (available online) Retrieved from the internet Jun. 22, 2017, retrieved from the internet URL: <http://www.ebay.com/itm/Vintage-1979-Inter-World-Fluorescent-Desk-Lamp-Model-402-/272635027054>.\*

\* cited by examiner

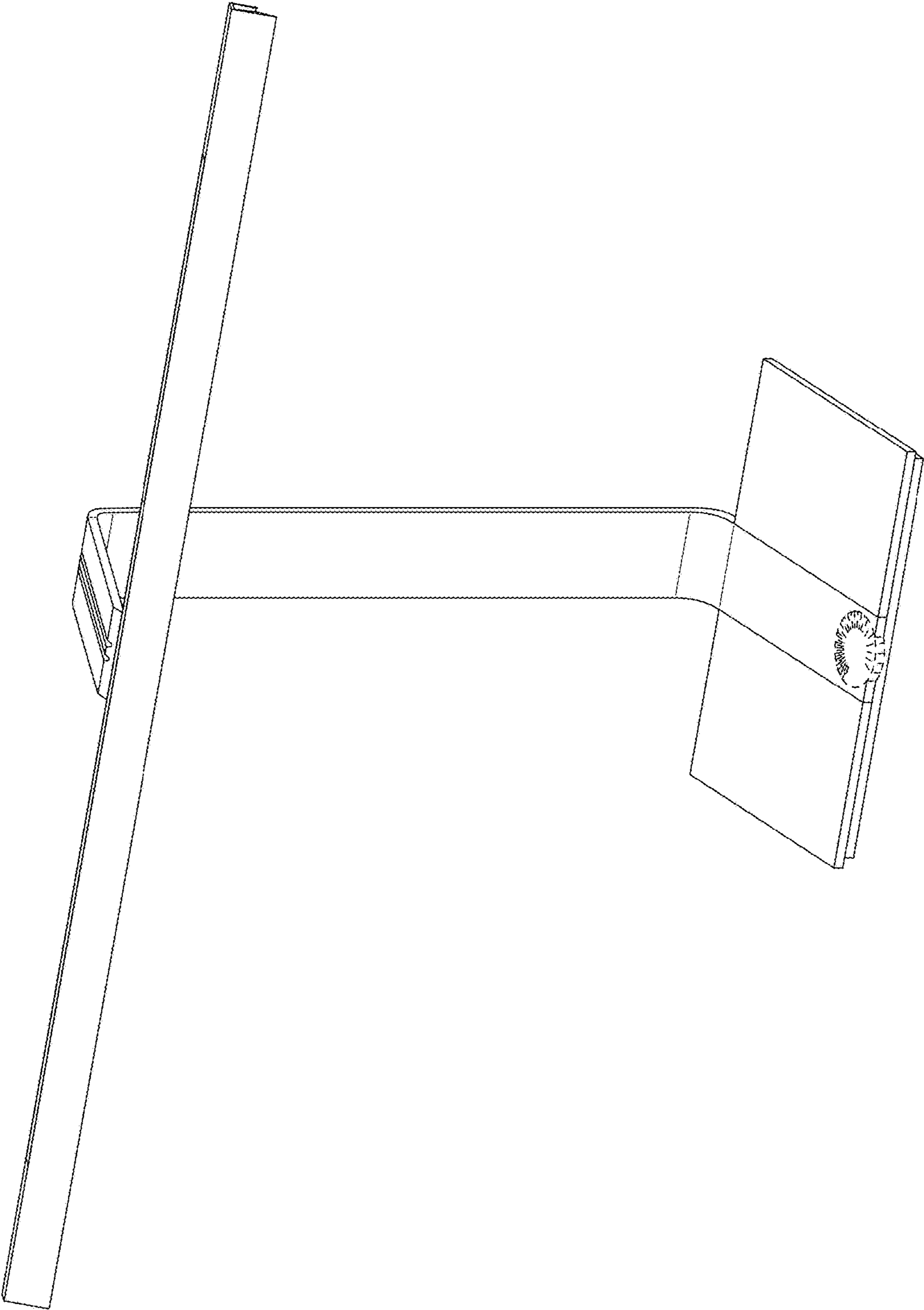


FIG. 1

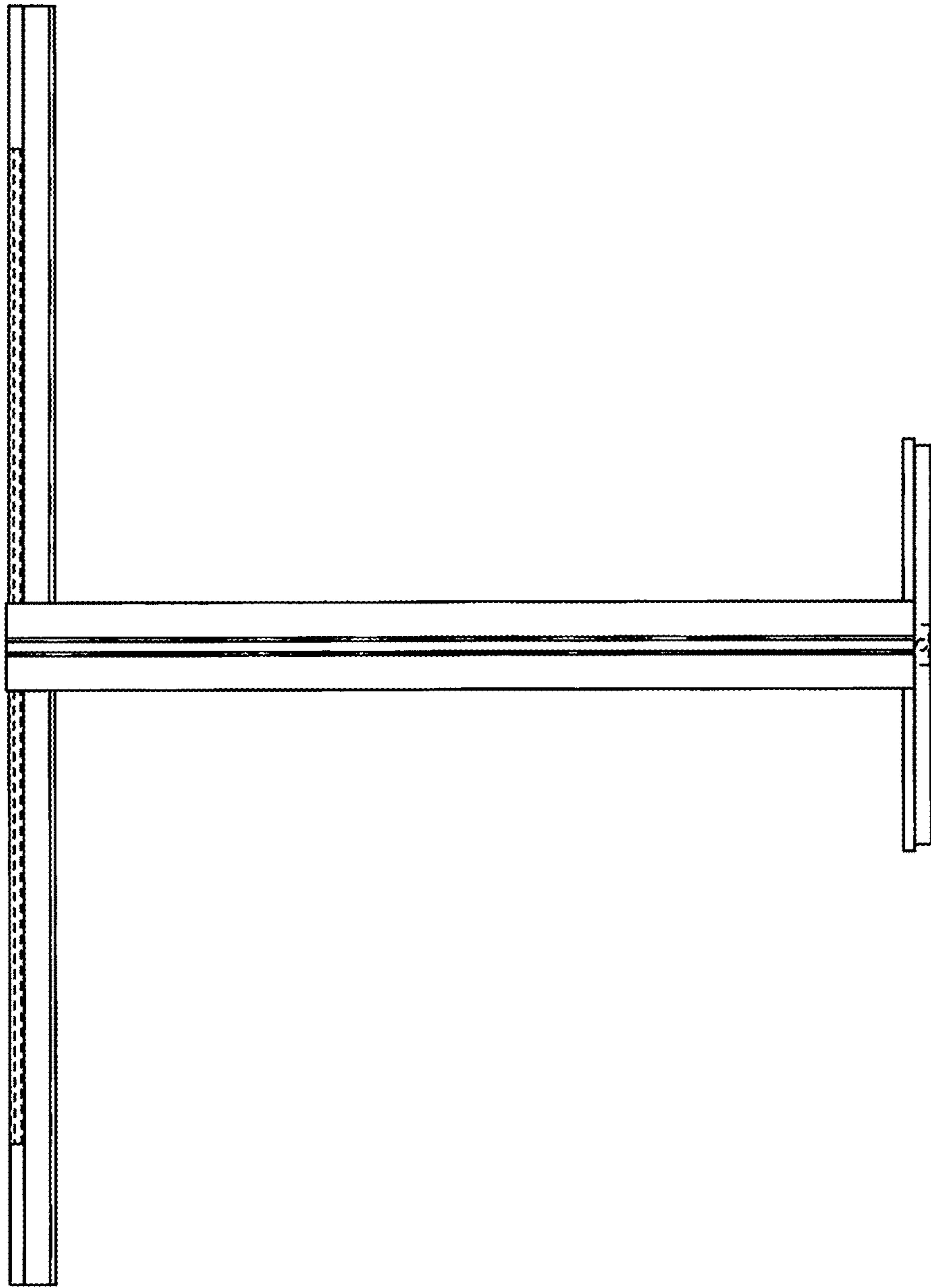


FIG. 2

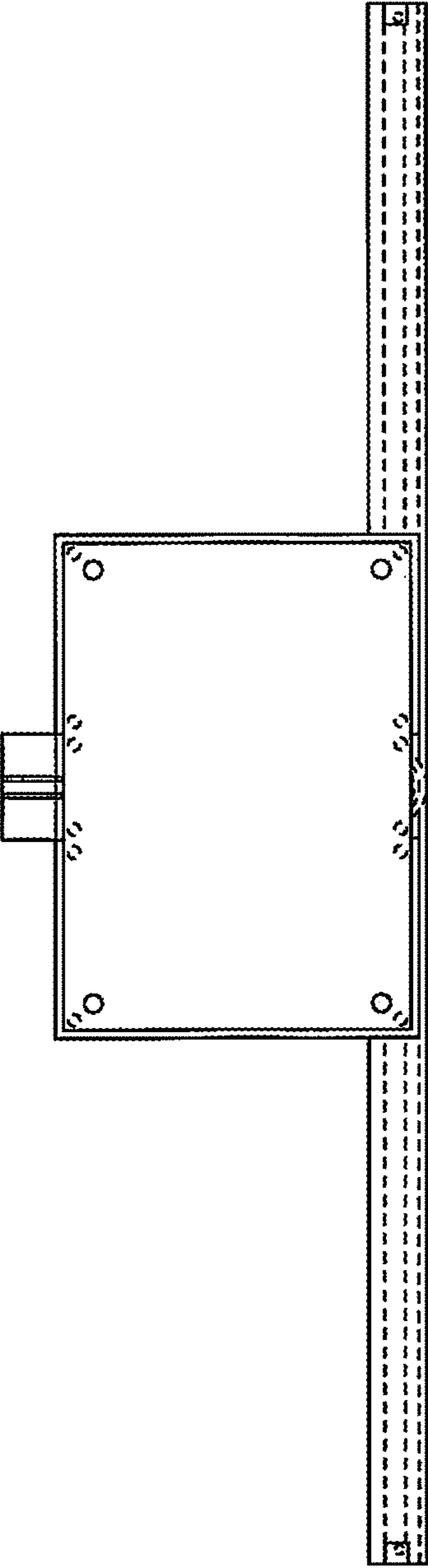


FIG. 3

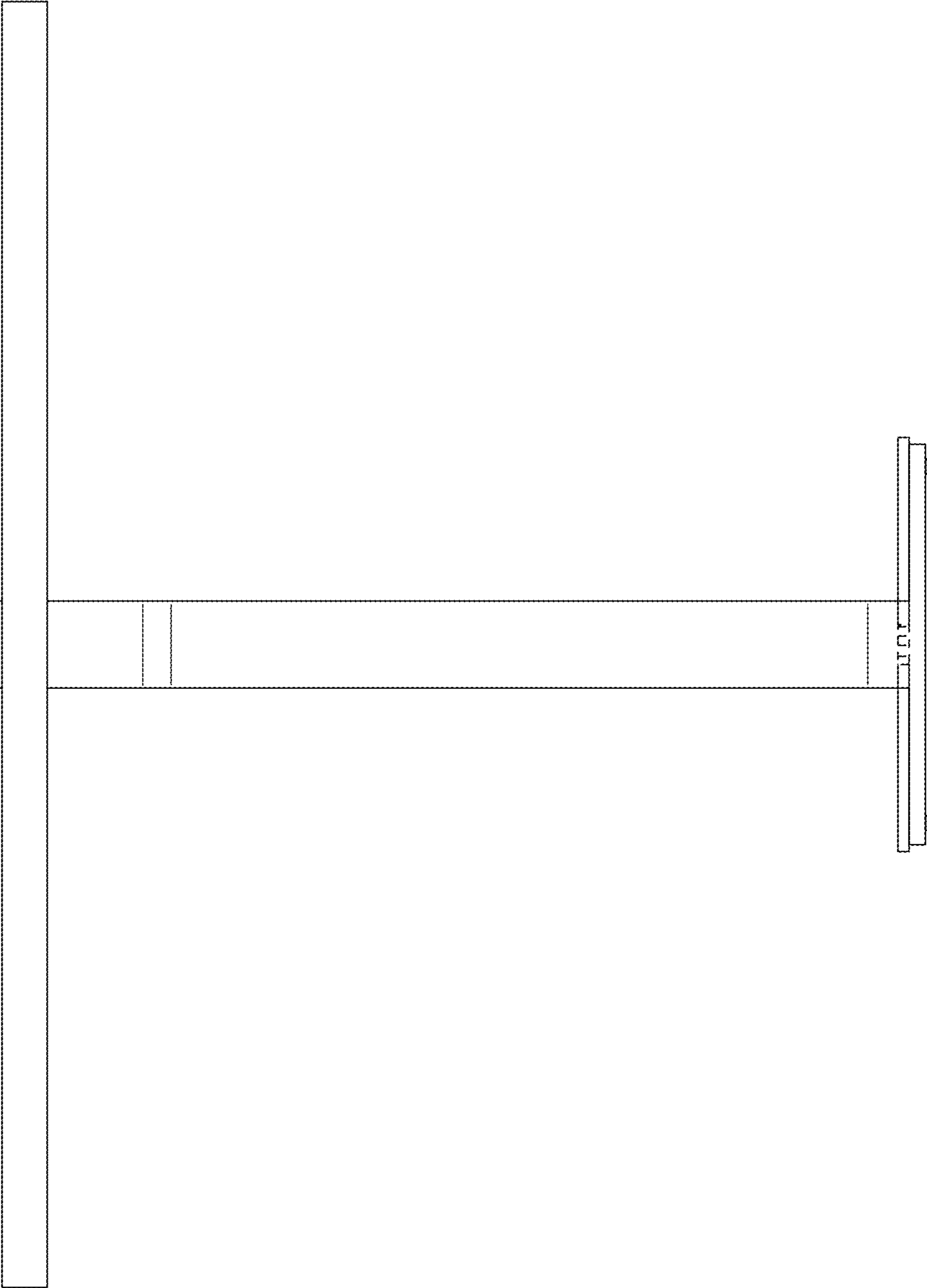


FIG. 4

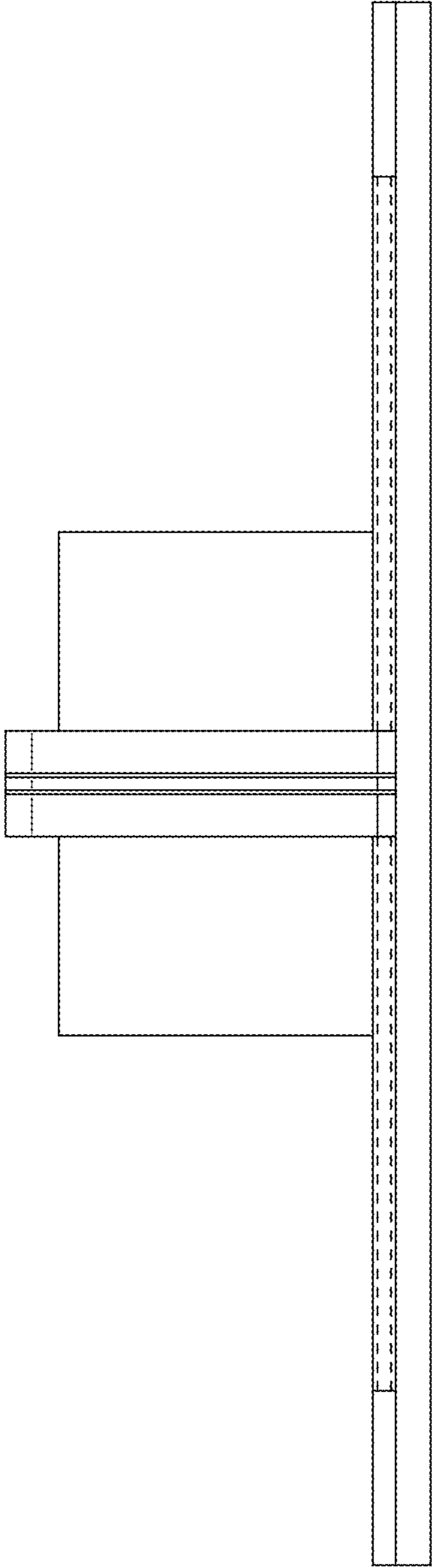


FIG. 5

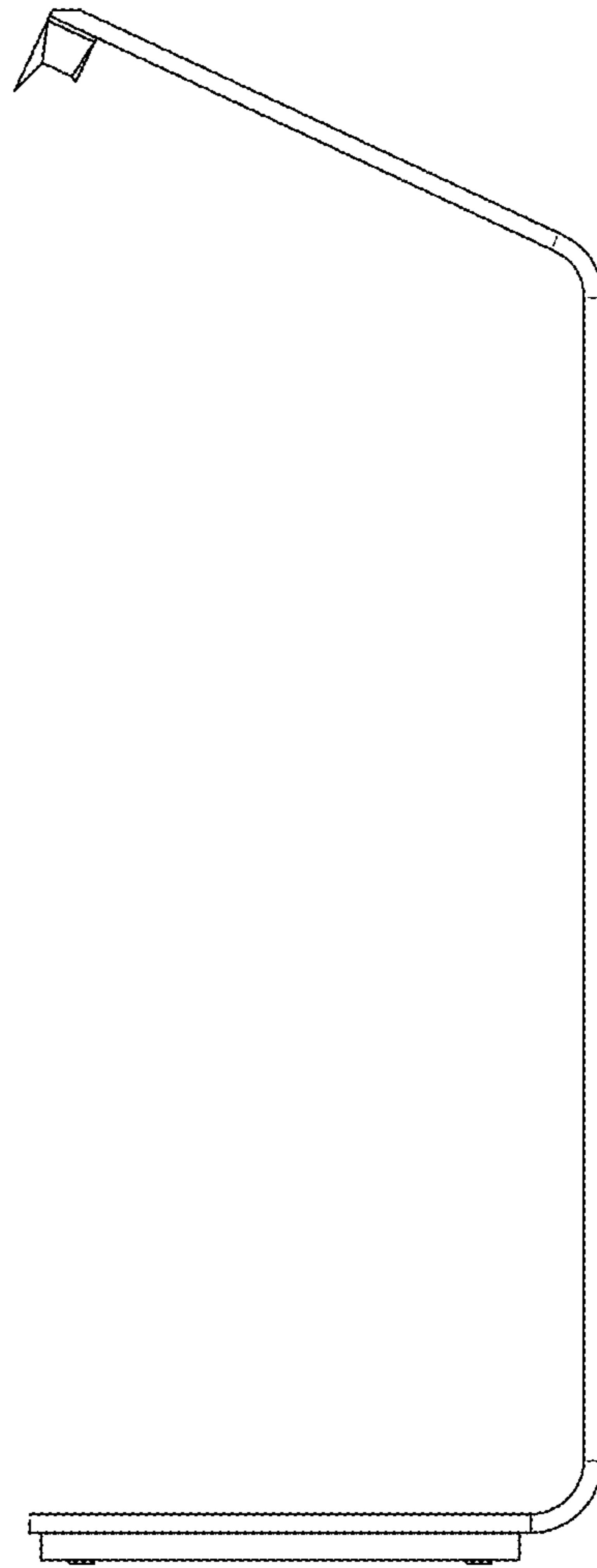


FIG. 6