



US00D823528S

(12) **United States Design Patent**  
**Sonneman**

(10) **Patent No.:** **US D823,528 S**

(45) **Date of Patent:** **\*\* Jul. 17, 2018**

(54) **LIGHT FIXTURE**

D600,849 S \* 9/2009 Osgerby ..... D26/107  
D780,369 S \* 2/2017 Anastassiades ..... D26/107  
D802,201 S \* 11/2017 Xu ..... D26/107

(71) Applicant: **Robert A. Sonneman**, Mamaroneck,  
NY (US)

\* cited by examiner

(72) Inventor: **Robert A. Sonneman**, Mamaroneck,  
NY (US)

*Primary Examiner* — Brian N. Vinson

(\*\*) Term: **15 Years**

(74) *Attorney, Agent, or Firm* — Gottlieb, Rackman &  
Reisman, P.C.

(21) Appl. No.: **29/629,043**

(57) **CLAIM**

(22) Filed: **Dec. 11, 2017**

The ornamental design for a light fixture, as shown and  
described.

(51) **LOC (11) Cl.** ..... **26-03**

(52) **U.S. Cl.**  
USPC ..... **D26/108**

**DESCRIPTION**

(58) **Field of Classification Search**  
USPC ..... D26/1, 24, 61, 63, 65, 85, 93, 106, 107,  
D26/108  
CPC ..... F21V 21/14; F21V 21/00; F21V 15/01;  
F21V 14/02; F21V 21/30; F21V 14/00;  
F21S 8/00; F21S 8/003; F21S 8/043;  
F21Y 2105/001

FIG. 1 is a perspective view of the light fixture showing my  
new design;  
FIG. 2 is a front elevational view thereof;  
FIG. 3 is a rear elevational view thereof;  
FIG. 4 is a right side elevational view thereof;  
FIG. 5 is a left side elevational view thereof;  
FIG. 6 is a top plan view thereof; and,  
FIG. 7 is a bottom plan view thereof.

See application file for complete search history.

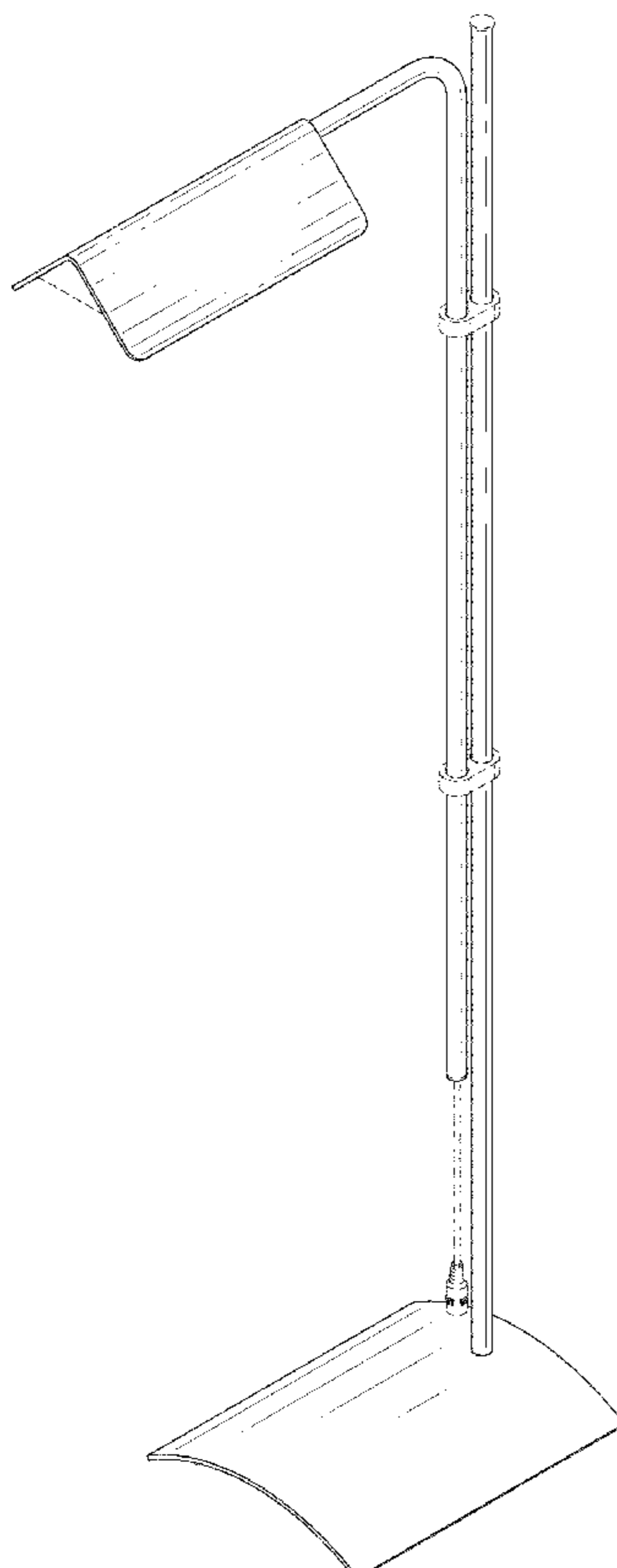
The broken lines shown in the drawings are included for the  
purpose of illustrating portions of the light fixture that form  
no part of the claimed design.

(56) **References Cited**

**U.S. PATENT DOCUMENTS**

D474,557 S \* 5/2003 Eusterbrock ..... D26/61  
D595,009 S \* 6/2009 Osgerby ..... D26/107

**1 Claim, 7 Drawing Sheets**



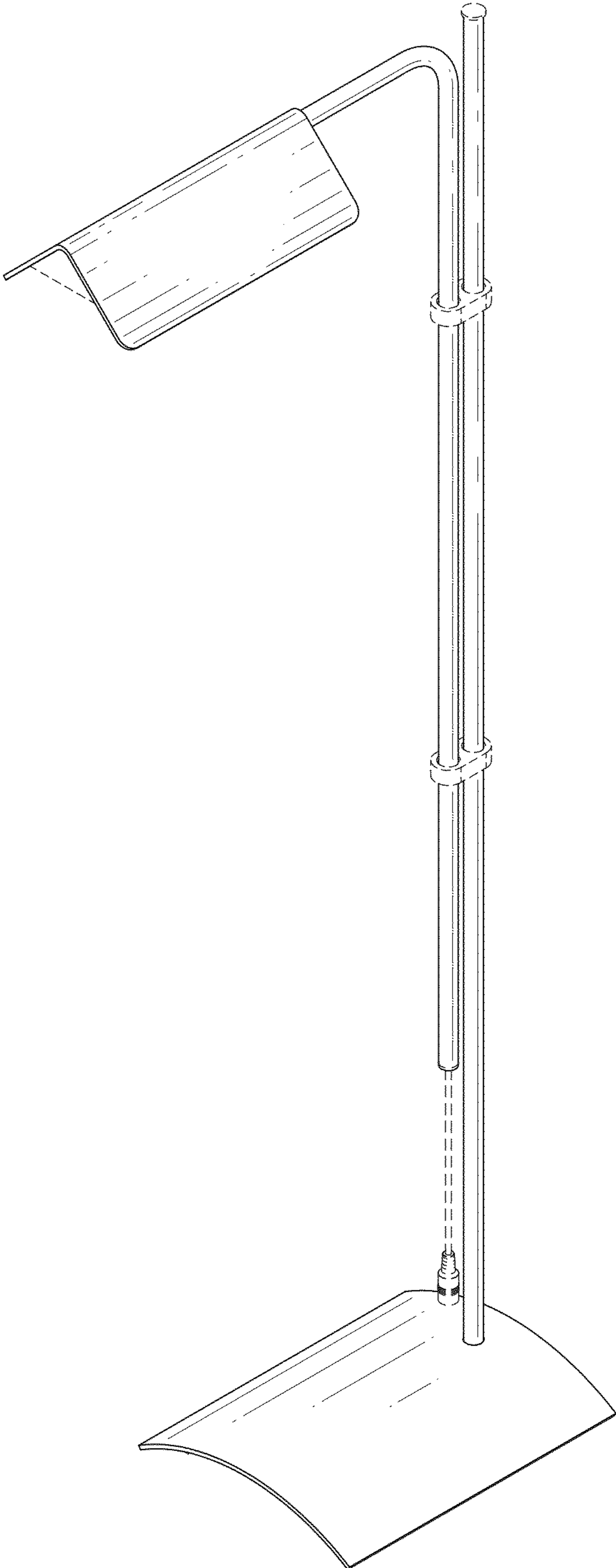


FIG. 1

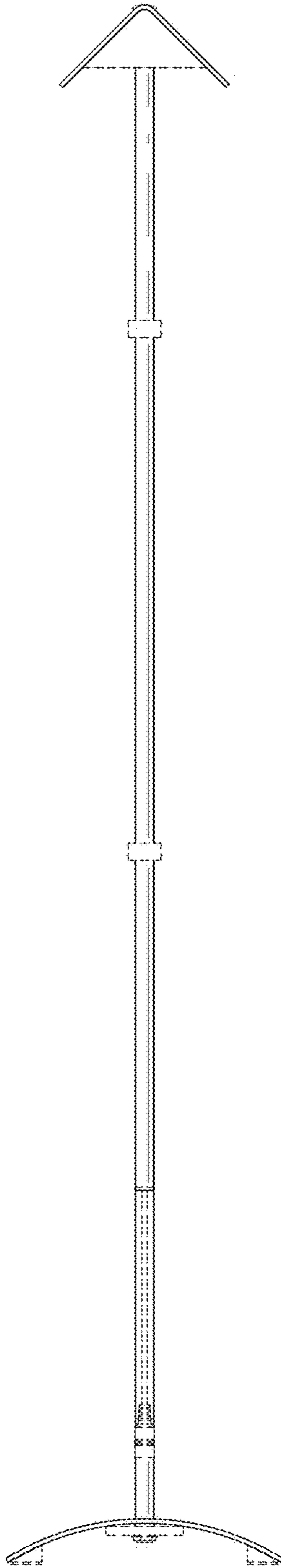


FIG. 2

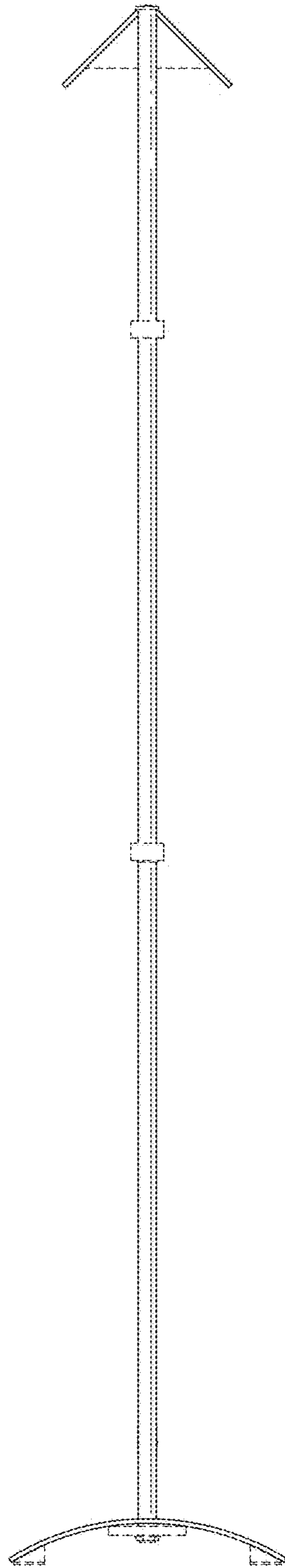


FIG. 3

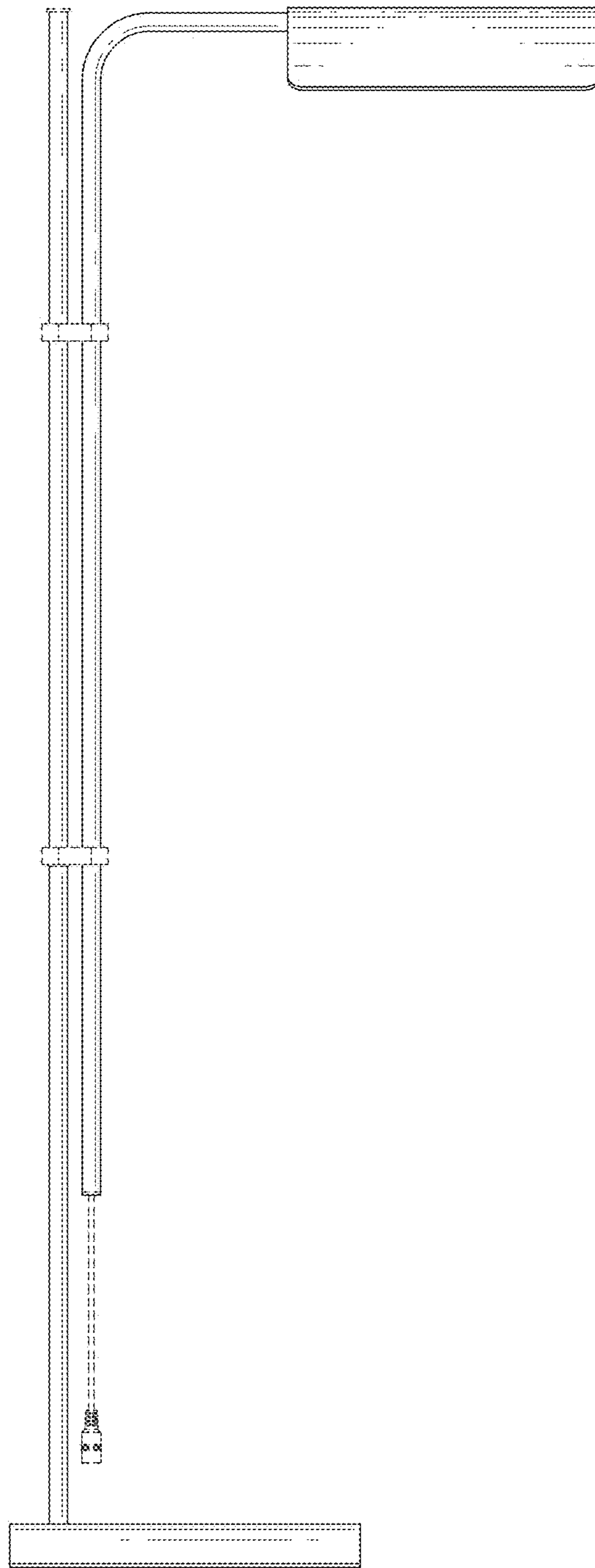


FIG. 4

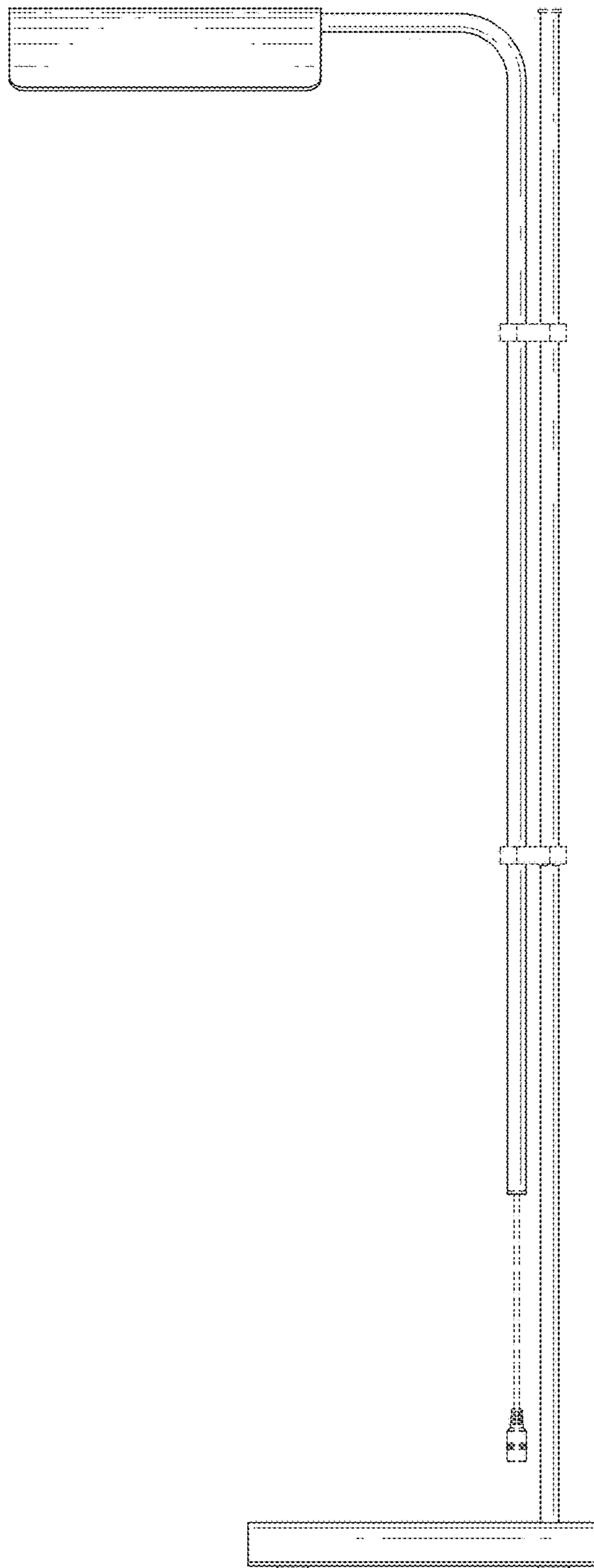


FIG.5

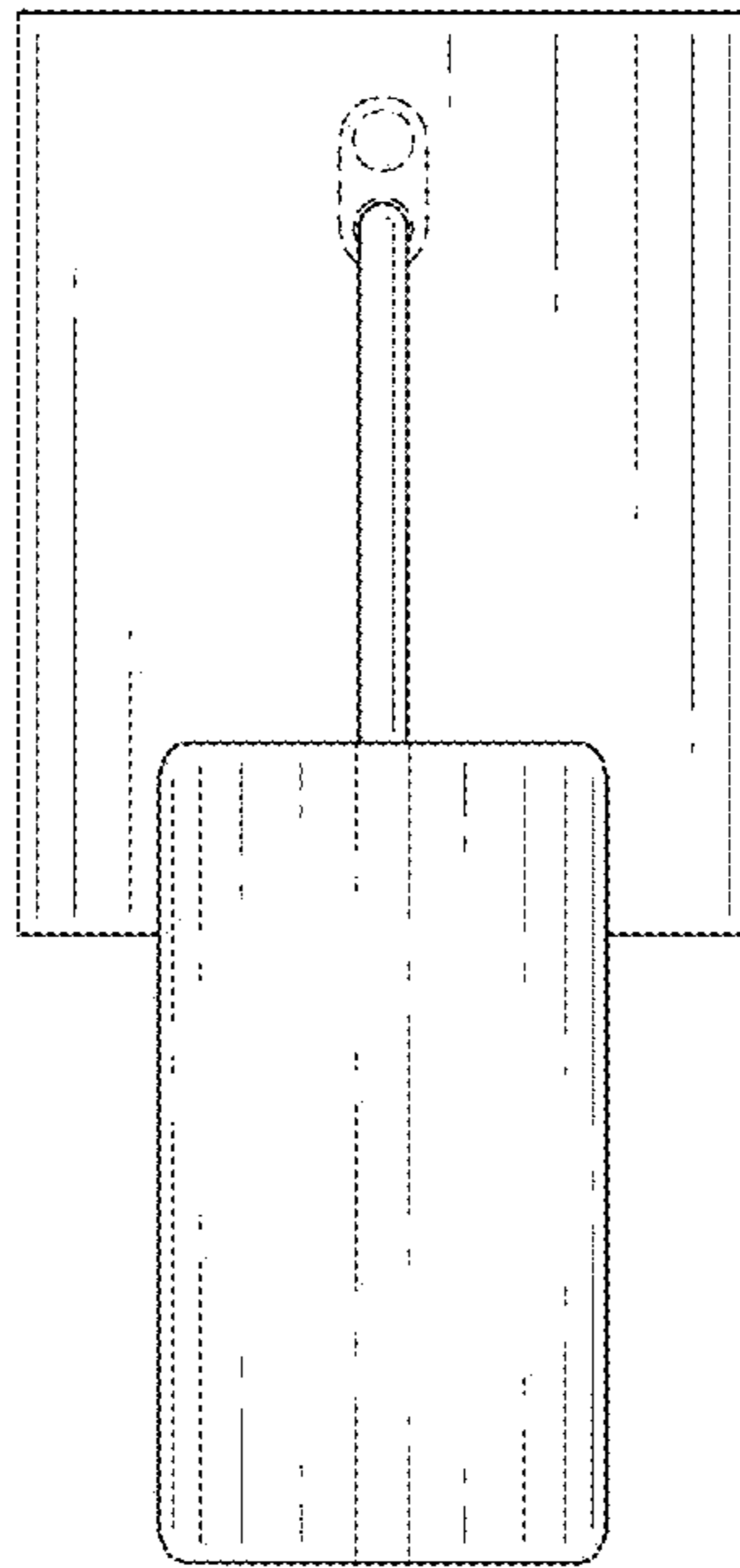


FIG. 6

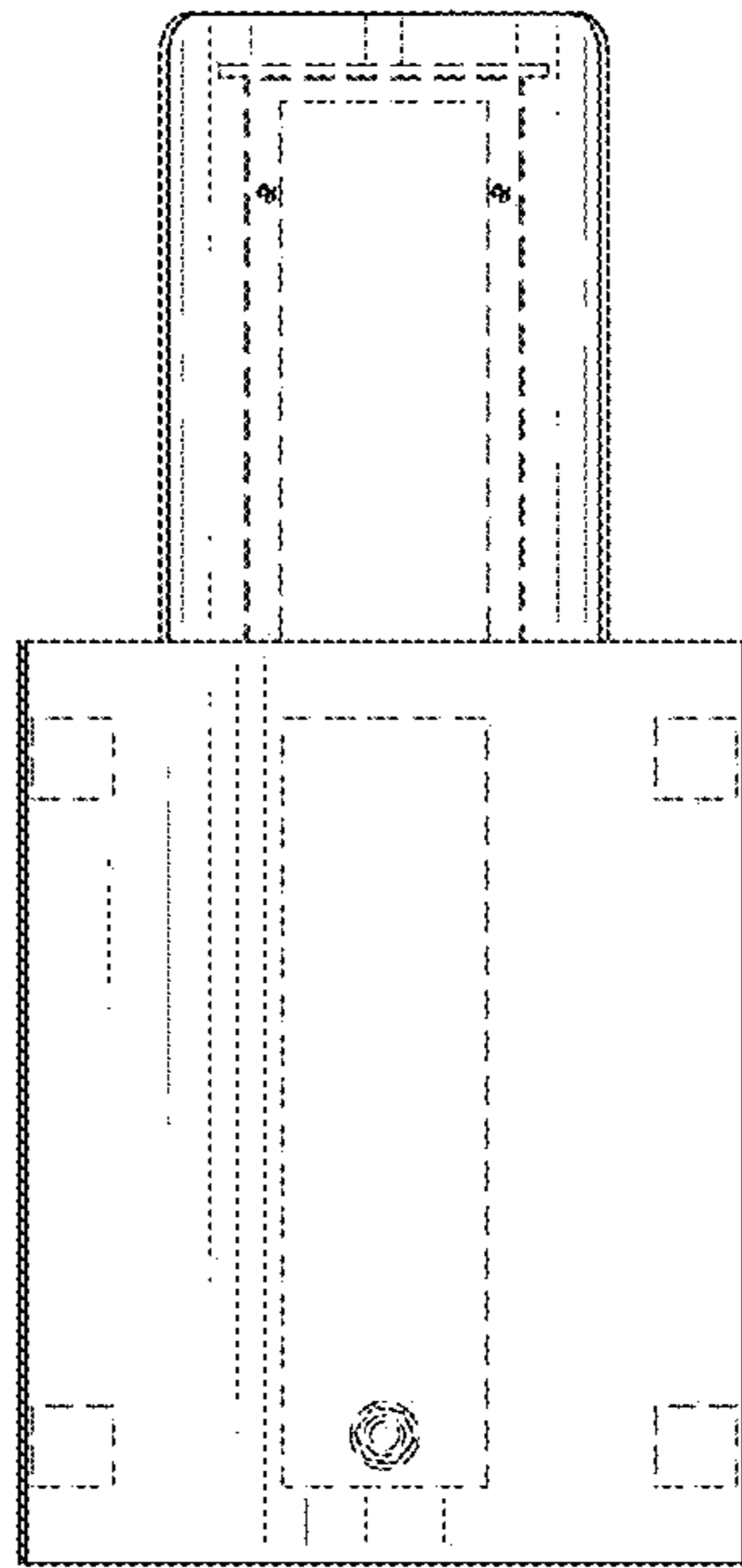


FIG. 7