



US00D823527S

(12) **United States Design Patent**
Sonneman

(10) **Patent No.:** **US D823,527 S**
(45) **Date of Patent:** **** Jul. 17, 2018**

(54) **LIGHT FIXTURE**

(71) Applicant: **Robert A. Sonneman**, Mamaroneck,
NY (US)

(72) Inventor: **Robert A. Sonneman**, Mamaroneck,
NY (US)

(**) Term: **15 Years**

(21) Appl. No.: **29/629,267**

(22) Filed: **Dec. 12, 2017**

(51) **LOC (11) Cl.** **26-03**

(52) **U.S. Cl.**
USPC **D26/107**

(58) **Field of Classification Search**
USPC D26/1, 24, 93, 107, 141
CPC F21V 21/00; F21V 21/02; F21V 21/116;
F21W 2121/00; F21W 2131/00
See application file for complete search history.

(56) **References Cited**

U.S. PATENT DOCUMENTS

D401,004 S	*	11/1998	Eusterbrock	D26/107
D752,271 S	*	3/2016	Saunders	D26/107
D803,468 S	*	11/2017	Pomputius	D26/107

* cited by examiner

Primary Examiner — Brian N. Vinson

(74) *Attorney, Agent, or Firm* — Gottlieb, Rackman &
Reisman, P.C.

(57) **CLAIM**

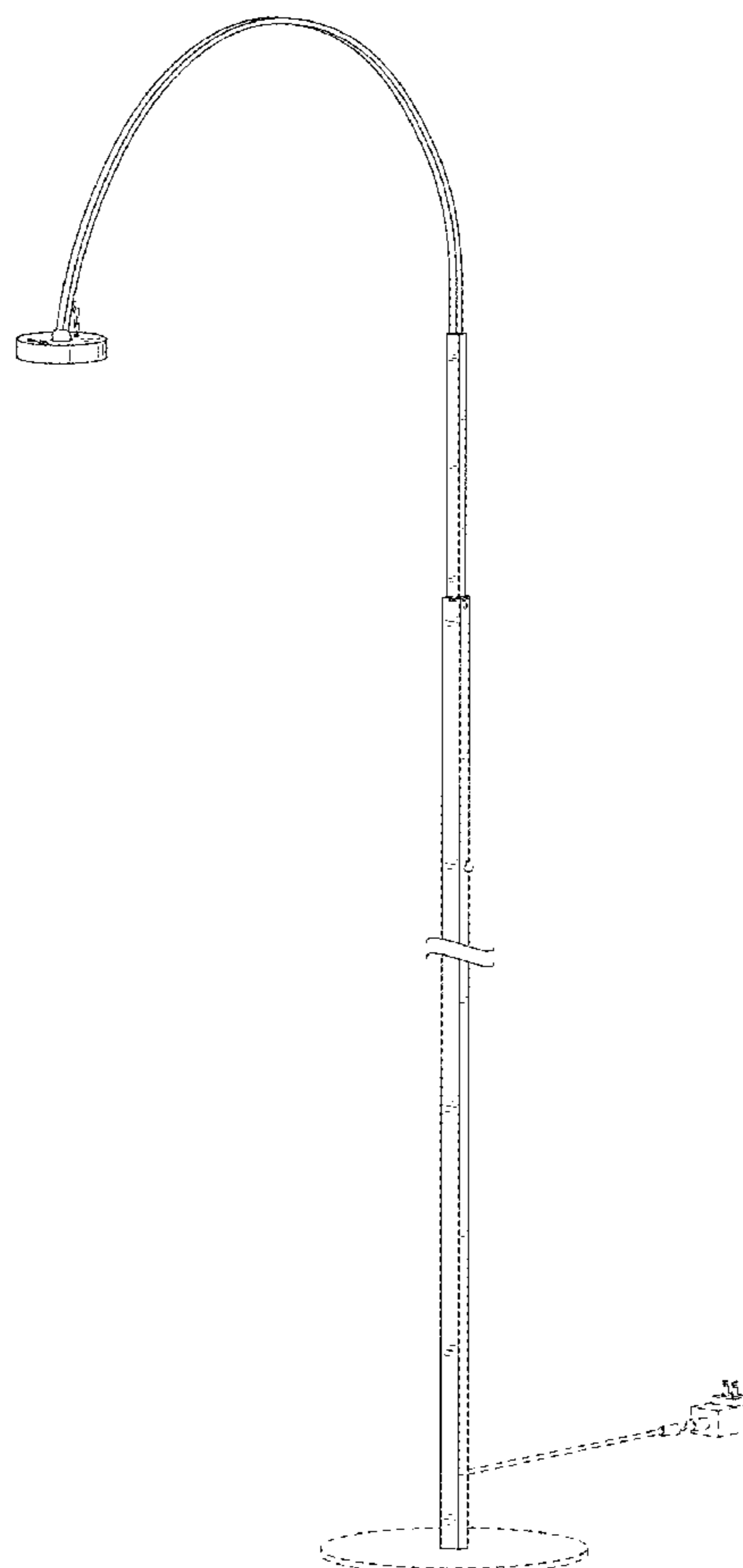
The ornamental design for a light fixture, as shown and described.

DESCRIPTION

FIG. 1 is a perspective view of a light fixture showing my new design;
FIG. 2 is a front elevational view thereof;
FIG. 3 is a rear elevational view thereof;
FIG. 4 is a right side elevational view thereof;
FIG. 5 is a left side elevational view thereof;
FIG. 6 is a top plan view thereof; and,
FIG. 7 is a bottom plan view thereof.

The broken line disclosure represents portions of the light fixture which forms no part of the claimed design. A portion of the claimed design is shown broken away, and the area between those break lines also forms no part of the claimed design.

1 Claim, 5 Drawing Sheets



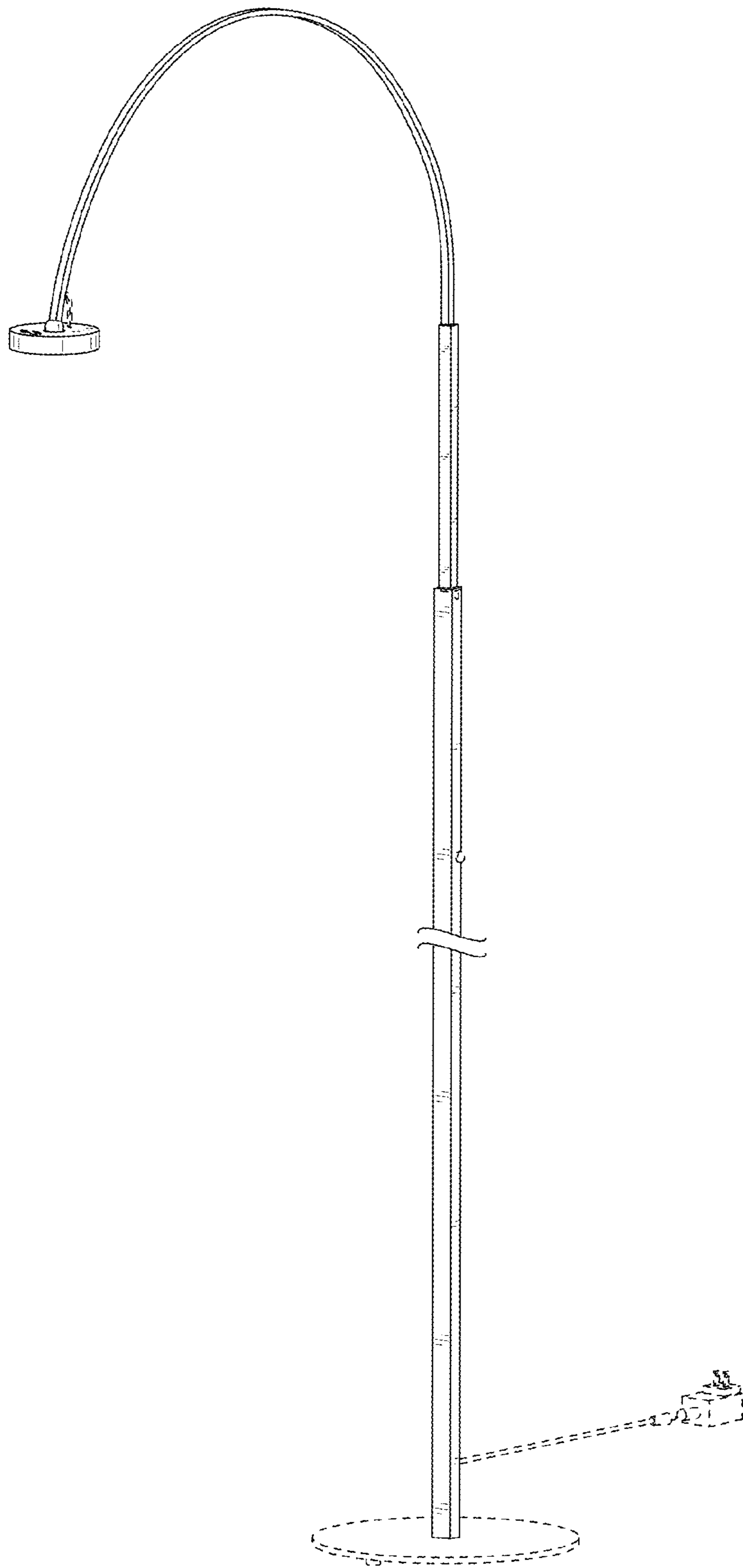


FIG. 1

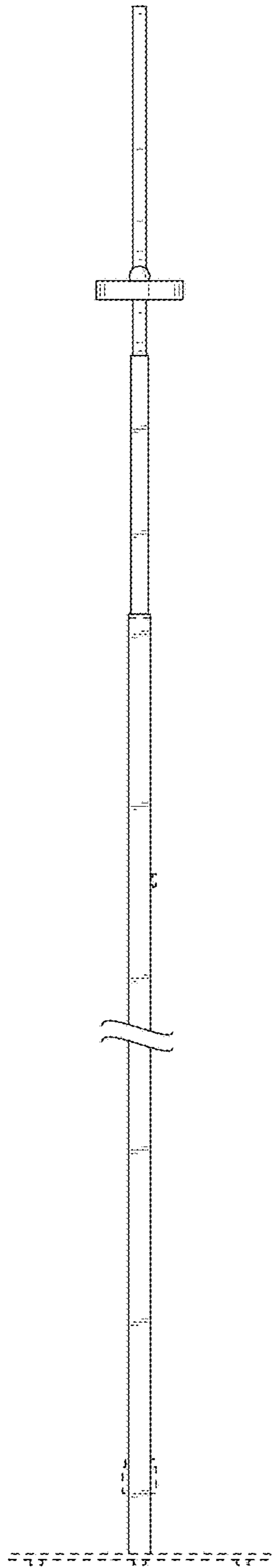


FIG. 2

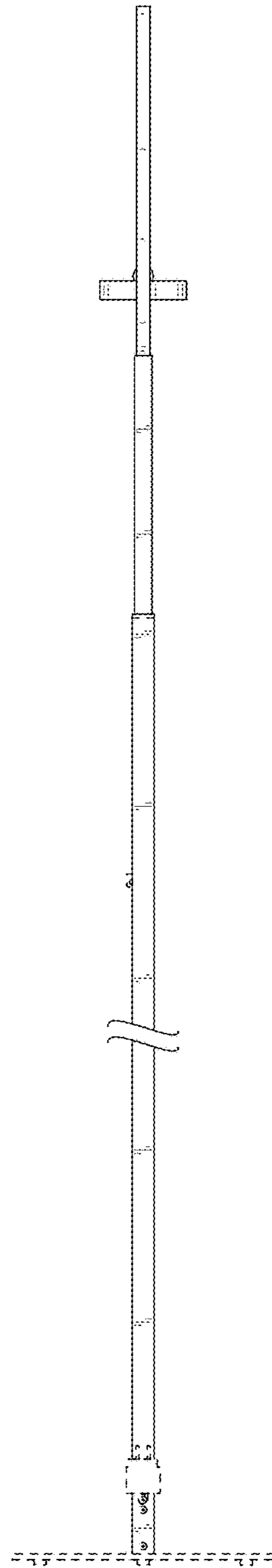


FIG. 3

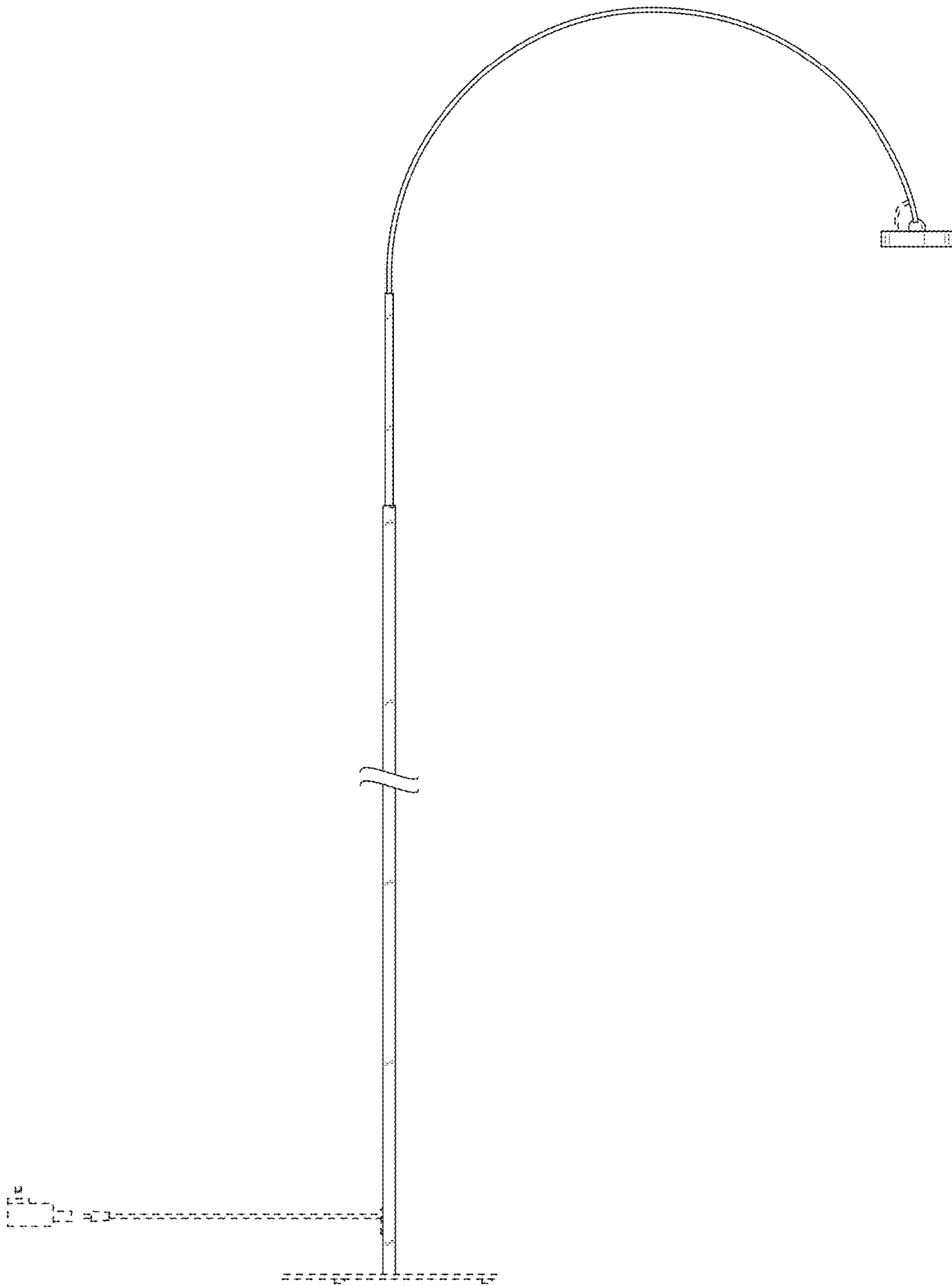


FIG. 4

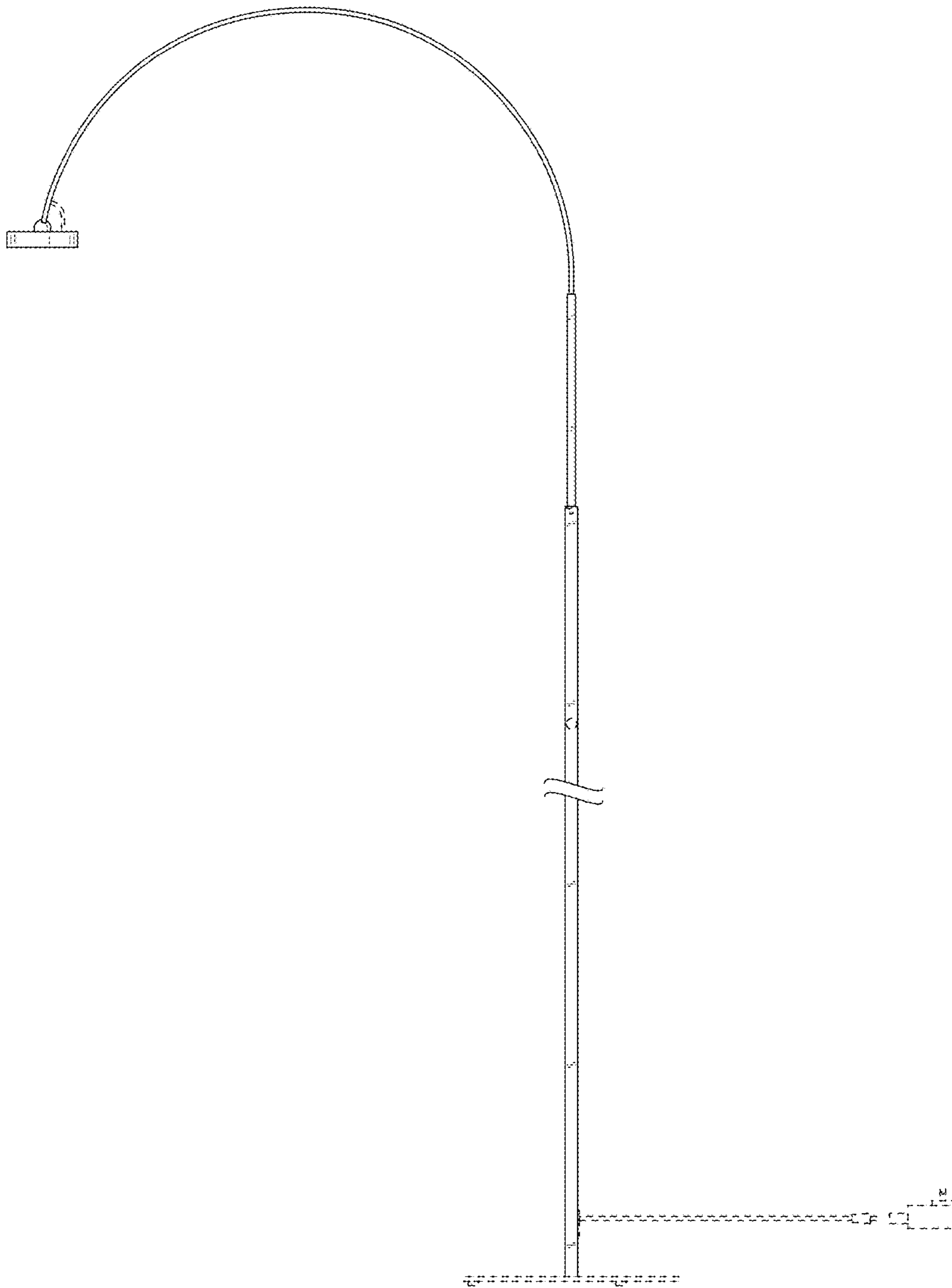


FIG. 5

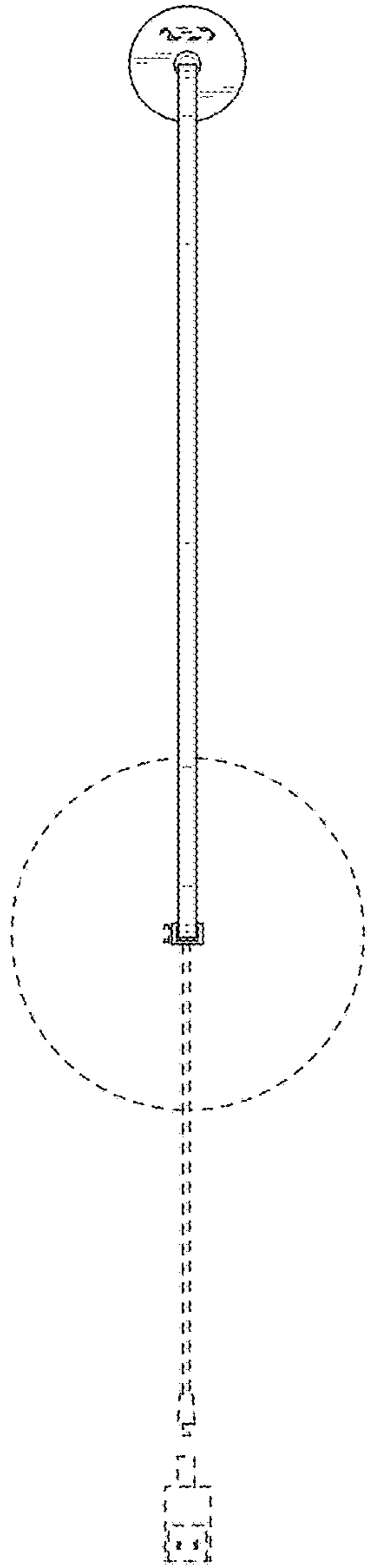


FIG. 6

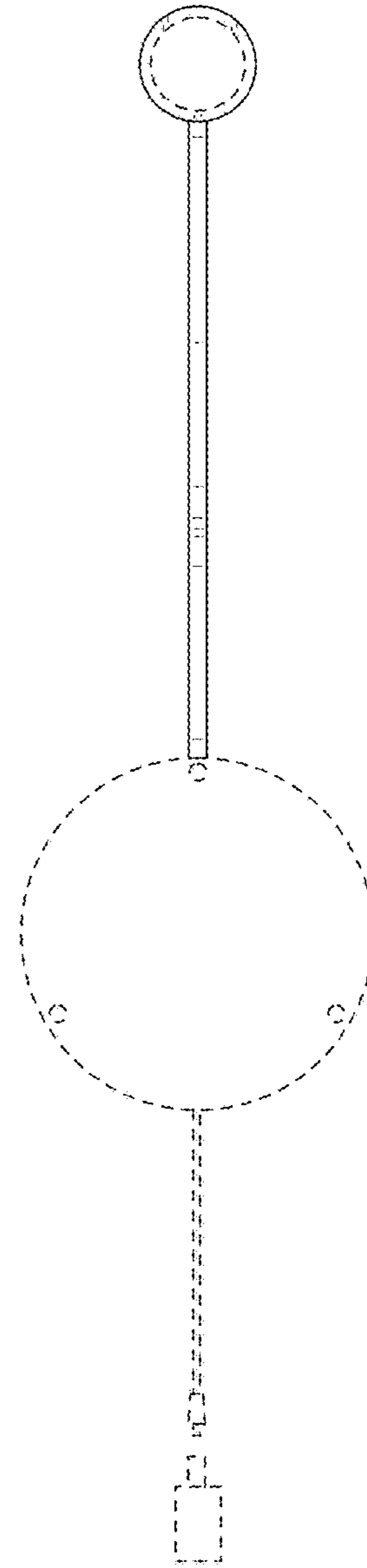


FIG. 7