



US00D823523S

(12) **United States Design Patent**
Snell et al.

(10) **Patent No.:** **US D823,523 S**
(45) **Date of Patent:** **** Jul. 17, 2018**

(54) **LUMINAIRE**
(71) Applicant: **Cree, Inc.**, Durham, NC (US)
(72) Inventors: **Nathan Snell**, Raleigh, NC (US);
Jeremy Sorenson, Oak Creek, WI (US)
(73) Assignee: **CREE, INC.**, Durham, NC (US)
(**) Term: **15 Years**
(21) Appl. No.: **29/610,913**
(22) Filed: **Jul. 17, 2017**

D743,082 S * 11/2015 Neri D26/71
D760,936 S * 7/2016 Jurdana D26/71
D760,937 S * 7/2016 Jurdana D26/71
D764,091 S * 8/2016 Snell D26/71
9,581,304 B2 * 2/2017 Carlen F21S 8/086
D782,719 S * 3/2017 Snell D26/71
9,593,843 B2 * 3/2017 McRory H04N 7/185
D792,627 S * 7/2017 Snell D26/71
9,759,409 B2 * 9/2017 Durdle F21V 17/18
2012/0127738 A1 * 5/2012 DeKalb F21V 29/004
362/373
2013/0121006 A1 * 5/2013 Moshtagh F21V 31/005
362/373
2016/0186970 A1 * 6/2016 Sorenson F21S 8/086
362/234
2016/0187555 A1 * 6/2016 Yuan G02B 6/002
362/343

Related U.S. Application Data

(62) Division of application No. 29/556,325, filed on Feb. 29, 2016, now Pat. No. Des. 792,627.
(51) **LOC (11) Cl.** **26-03**
(52) **U.S. Cl.**
USPC **D26/92**; D26/71
(58) **Field of Classification Search**
USPC D26/67-72, 92
CPC .. F21S 8/033; F21S 8/036; F21S 8/085; F21S 8/086; F21S 8/088; F21W 2111/02; F21W 2111/023; F21W 2131/101; F21W 2131/103; F21W 2131/1005; F21W 2131/107; F21V 29/503; F21V 29/745; F21V 29/75; F21V 29/76; F21V 29/763; F21V 29/767; F21V 29/77; F21V 29/78
See application file for complete search history.

* cited by examiner

Primary Examiner — Clare E Hefflin
(74) *Attorney, Agent, or Firm* — McDermott Will & Emery LLP

(57) **CLAIM**

The ornamental design for a luminaire, as shown and described herein.

DESCRIPTION

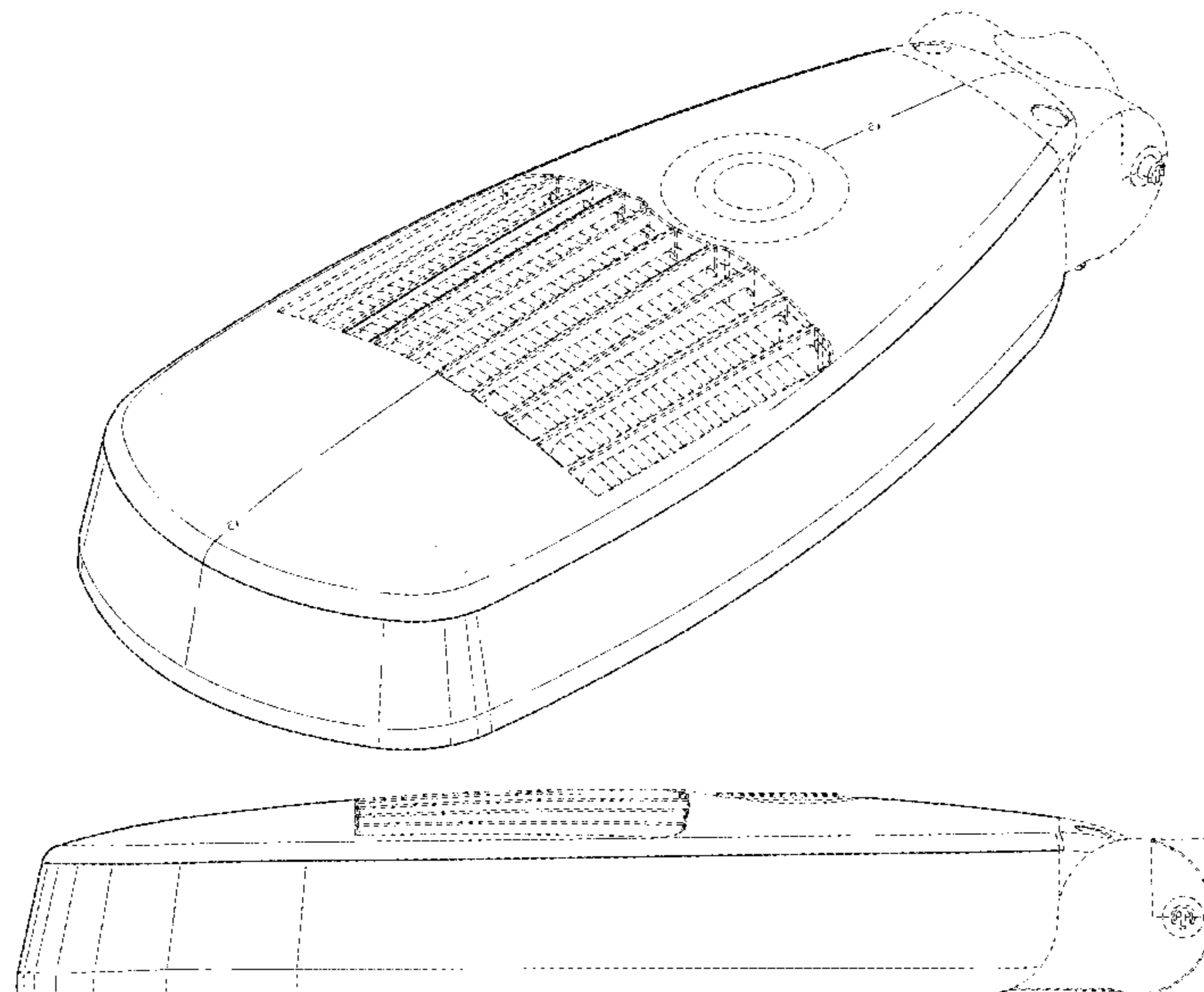
FIG. 1 is top, front and left side isometric view of an ornamental design for a luminaire, omitting a bottom housing portion;
FIG. 2 is a front elevation view thereof;
FIG. 3 is a top plan view thereof;
FIG. 4 is a left side elevation view thereof;
FIG. 5 is a right side elevation view thereof;
FIG. 6 is a bottom plan view thereof;
FIG. 7 is a rear elevation view thereof; and,
FIG. 8 is a bottom, front and left side isometric view thereof.
The broken lines shown on the drawings depict portions of the luminaire that form no part of the claimed design.

(56) **References Cited**

U.S. PATENT DOCUMENTS

3,385,258 A * 5/1968 Curtin F21S 8/086
116/200
4,937,718 A * 6/1990 Murray F21S 8/086
362/368
D572,857 S * 7/2008 Kauffman D26/71

1 Claim, 5 Drawing Sheets



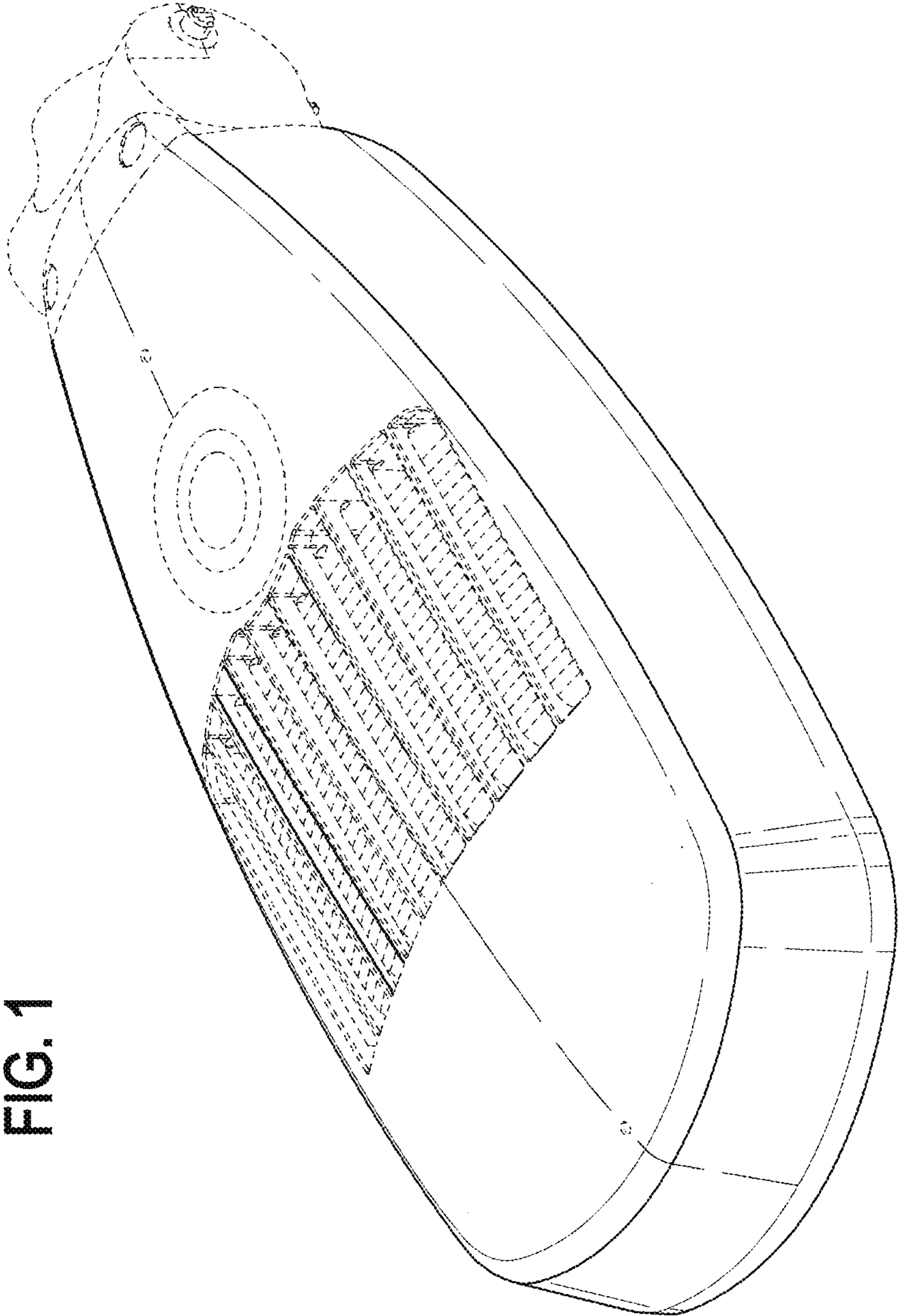


FIG. 1

FIG. 2

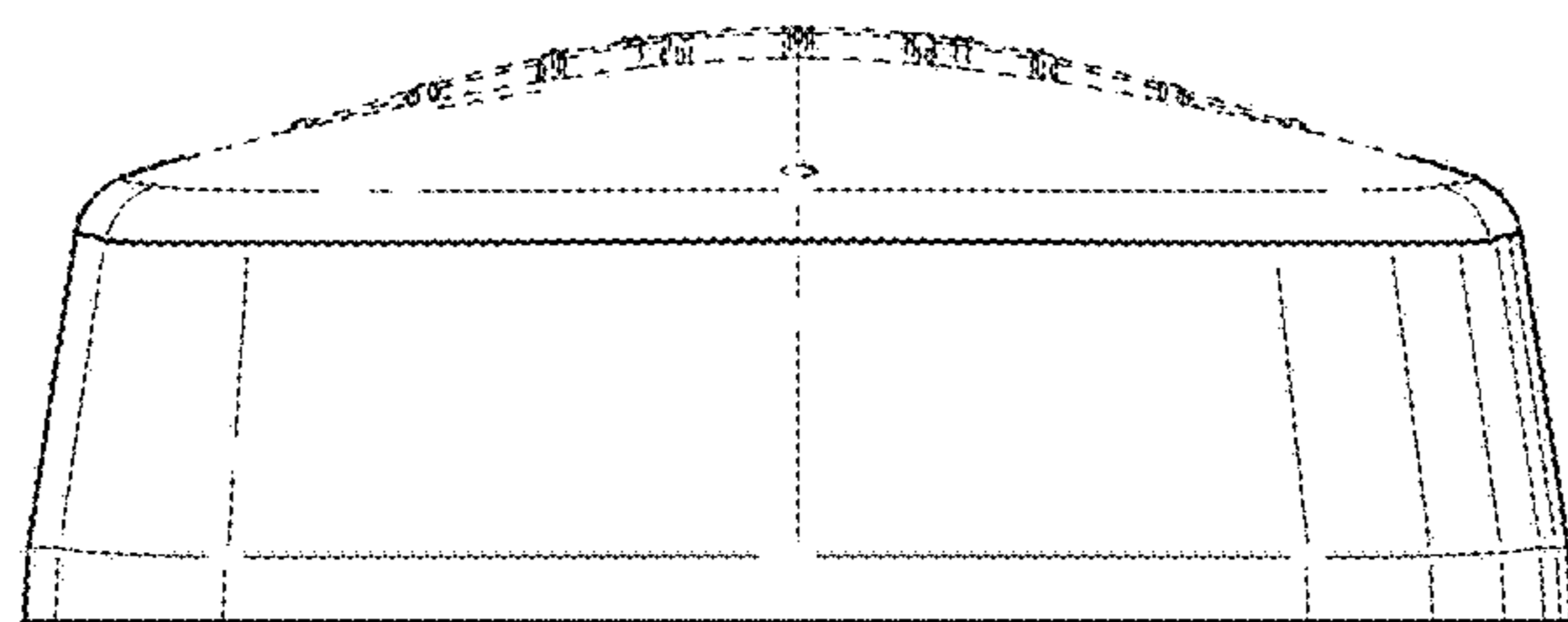


FIG. 3

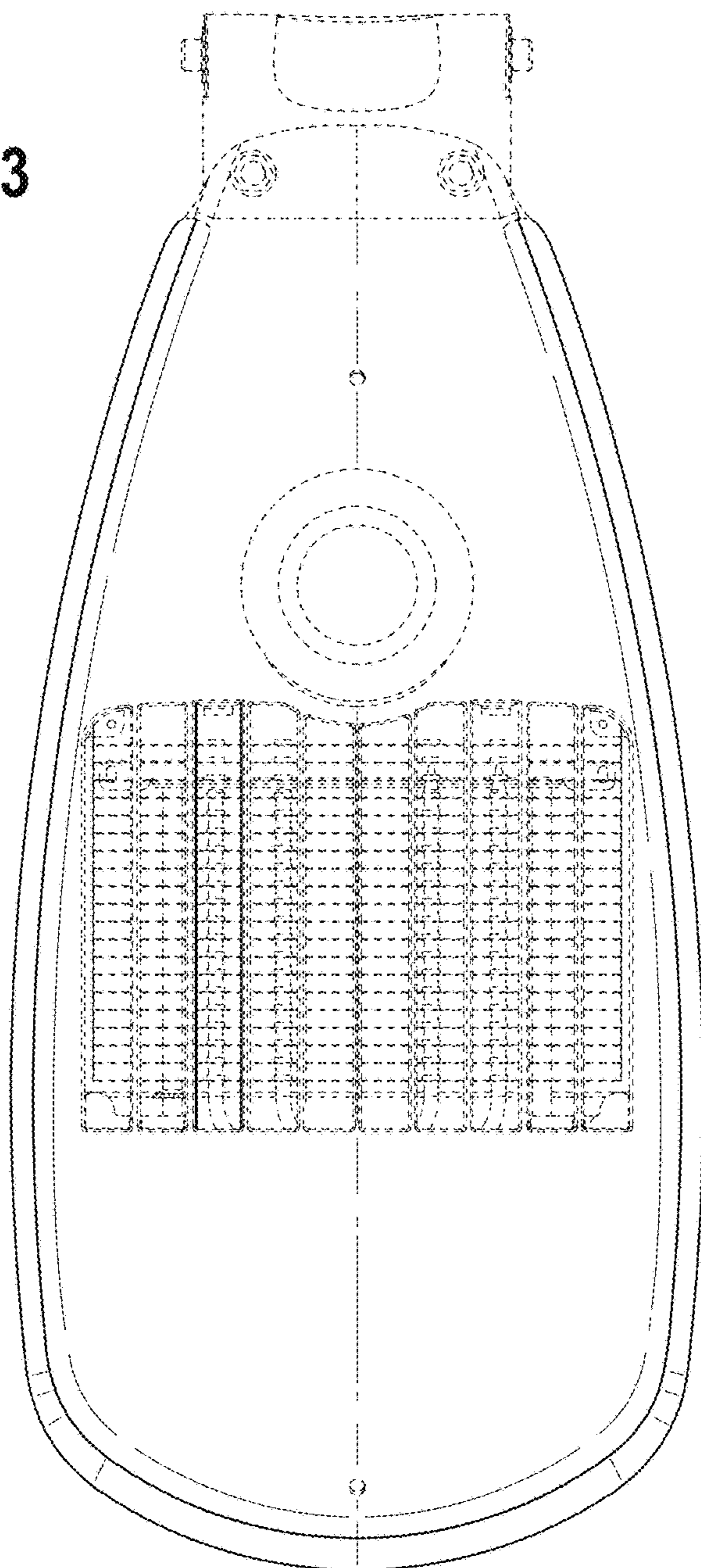


FIG. 4

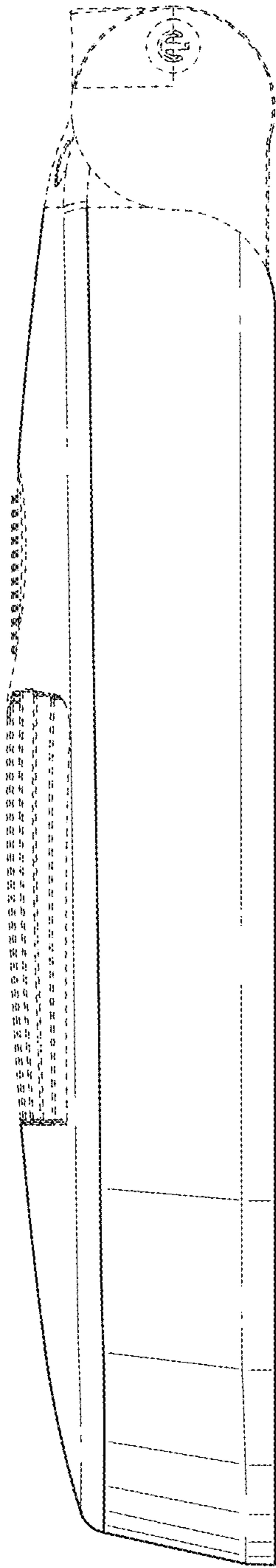
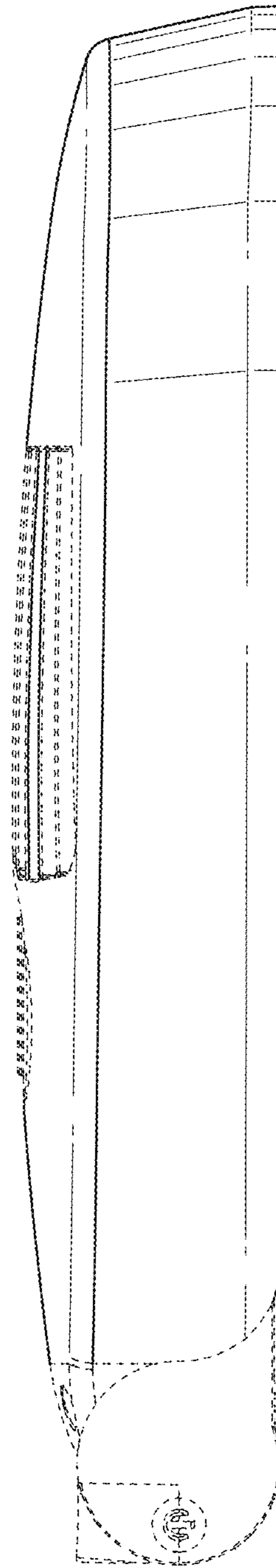


FIG. 5



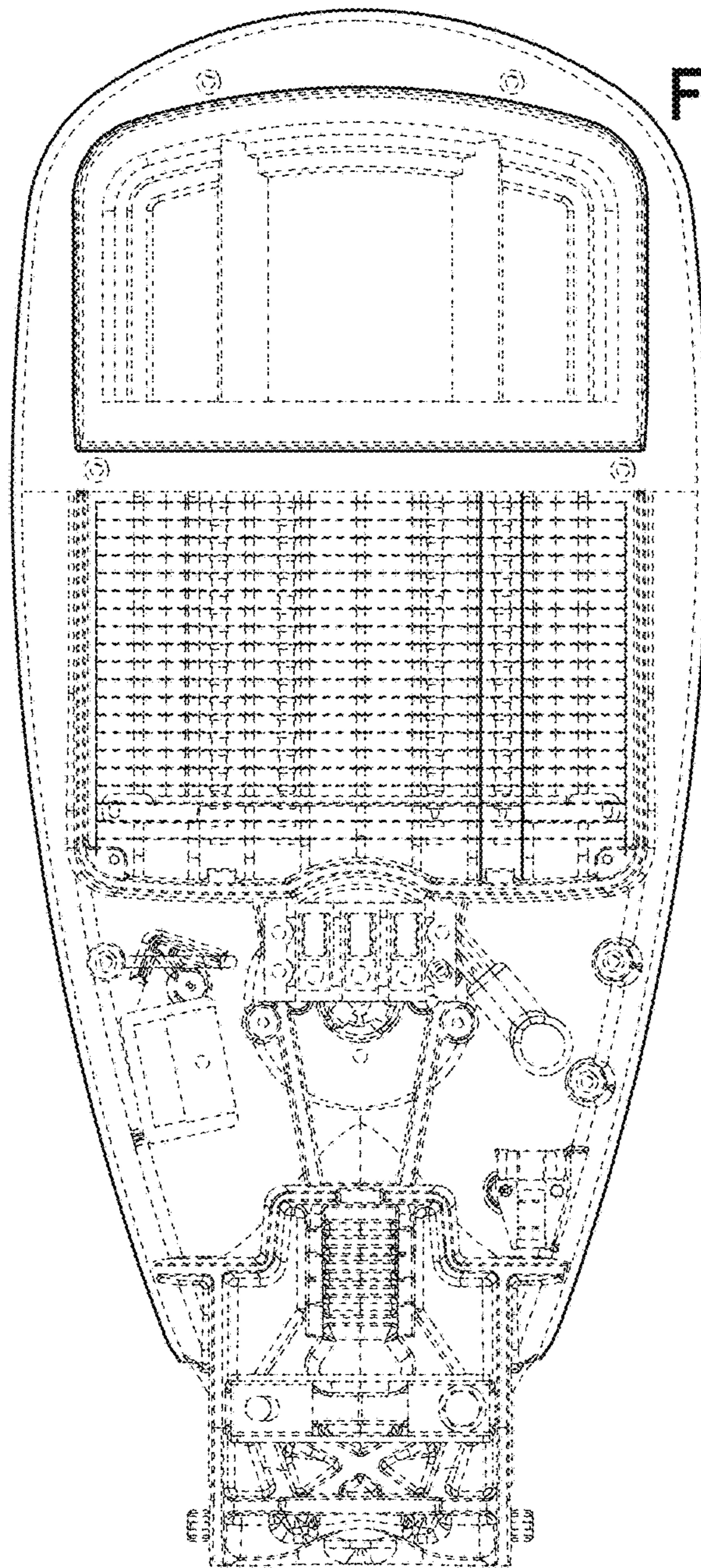


FIG. 6

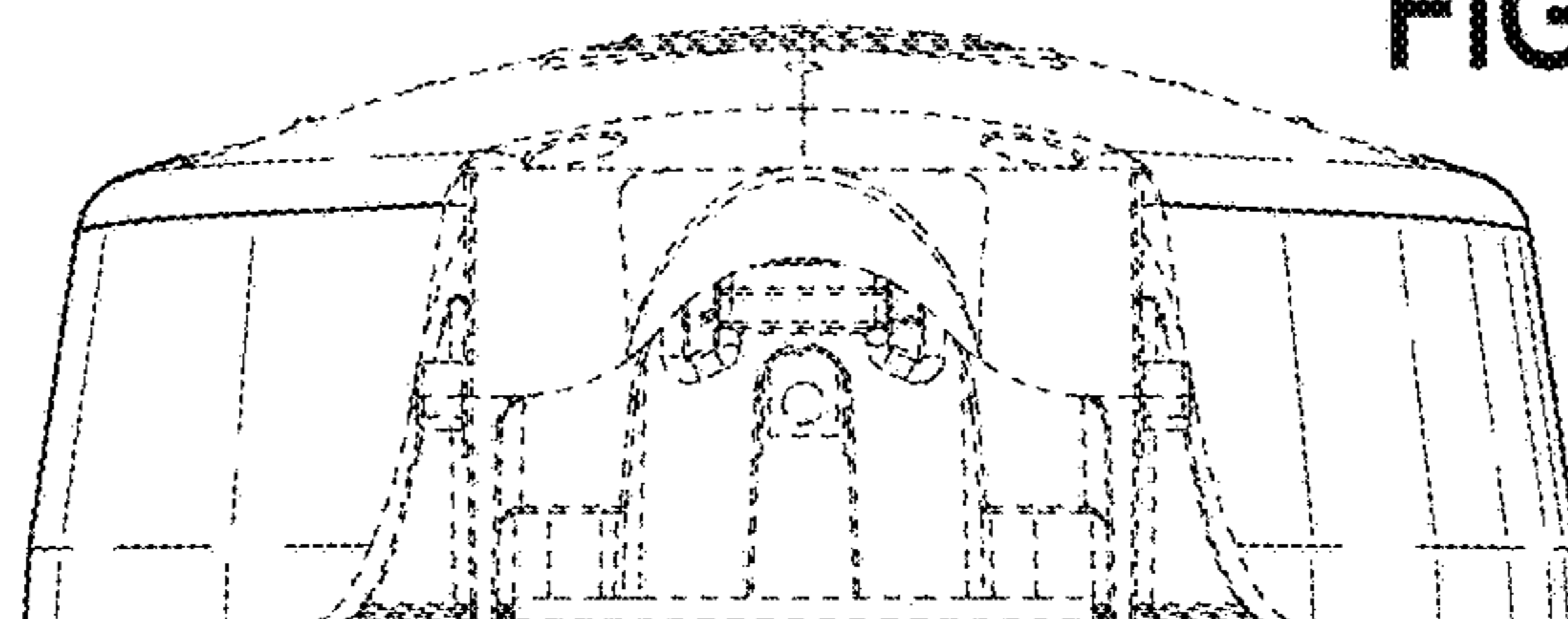


FIG. 7

FIG. 8

