



US00D823522S

(12) **United States Design Patent**  
**Gambrel et al.**

(10) **Patent No.:** **US D823,522 S**

(45) **Date of Patent:** **\*\* Jul. 17, 2018**

(54) **LIGHTING FIXTURE**

(71) Applicant: **The Urban Electric Company**, North Charleston, SC (US)

(72) Inventors: **Steven Gambrel**, New York, NY (US); **Michael Amato**, Johns Island, SC (US); **David Dawson**, Charleston, SC (US); **Jonathan Charpia**, Summerville, SC (US); **Christopher Roof**, Charleston, SC (US); **Joeangel Casanova**, North Charleston, SC (US); **Courteney Salisbury**, Mount Pleasant, SC (US); **Brianna Magagnoli**, North Charleston, SC (US)

(73) Assignee: **The Urban Electric Company**, North Charleston, SC (US)

(\*\*) Term: **15 Years**

(21) Appl. No.: **29/601,363**

(22) Filed: **Apr. 21, 2017**

(51) **LOC (11) Cl.** ..... **26-03**

(52) **U.S. Cl.**  
USPC ..... **D26/89**

(58) **Field of Classification Search**  
USPC ..... D26/72, 85, 88, 89  
CPC ..... F21S 8/03; F21S 8/04; F21S 8/043; F21S 8/046; F21S 8/068  
See application file for complete search history.

(56) **References Cited**

**U.S. PATENT DOCUMENTS**

D49,749 S \* 10/1916 O'Donnell ..... D26/72  
D50,138 S \* 1/1917 O'Donnell ..... D26/72

D97,039 S \* 10/1935 Cowan ..... D26/72  
D558,385 S \* 12/2007 Bickler ..... D26/88  
D684,294 S \* 6/2013 Goodson ..... D26/118  
D740,992 S \* 10/2015 Orozco ..... D26/67  
D752,801 S \* 3/2016 Martin ..... D26/88  
D775,756 S \* 1/2017 Amato ..... D26/72

**OTHER PUBLICATIONS**

Farmleigh from the Urban Electric Company. (c)2017. (Year: 2017).\*

Square Aluminum LED Contemporary Ceiling Light—ALEA 5176 5177 by Egoluce. Designed by ABS Studio. Found at archiexpo.com visited May 14, 2018. (Year: 2018).\*

\* cited by examiner

*Primary Examiner* — Clare E Heflin

(74) *Attorney, Agent, or Firm* — Jeffrey T. Stover; Haynsworth Sinkler Boyd, P.A.

(57) **CLAIM**

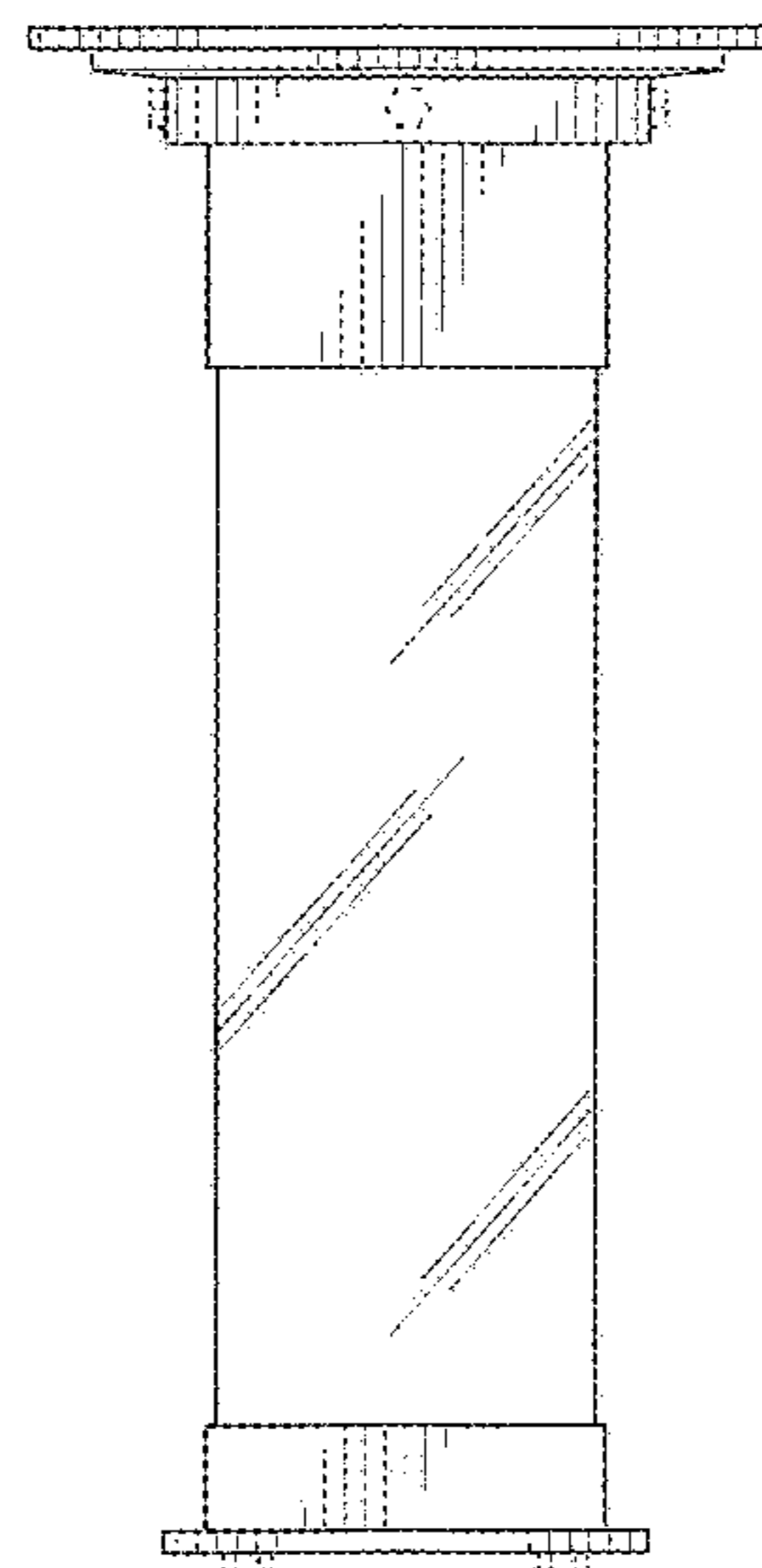
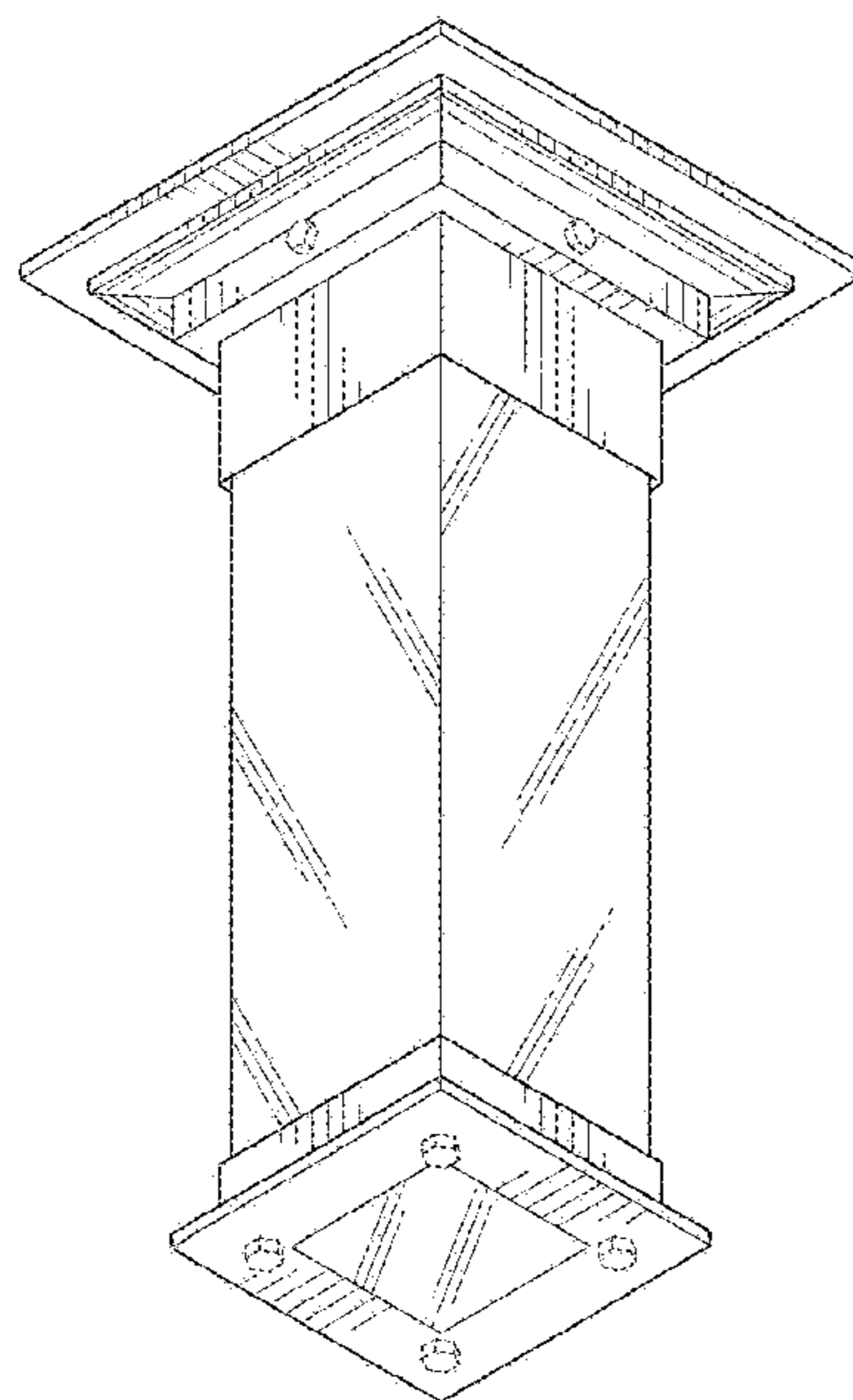
The ornamental design for a lighting fixture, as shown and described.

**DESCRIPTION**

FIG. 1 is a top perspective view of a new lighting fixture; FIG. 2 is a bottom perspective view thereof; FIG. 3 is a front elevation view thereof; FIG. 4 is a back elevational view thereof; FIG. 5 is a left elevation view thereof; FIG. 6 is a right elevation view thereof; and, FIG. 7 is a bottom plan view thereof.

The broken line disclosure in the views represents environmental structure which forms no part of the claimed design. The broken-line square on the top surface of this lighting fixture is intended to demonstrate that no portion of this surface forms part of the claimed design.

**1 Claim, 7 Drawing Sheets**



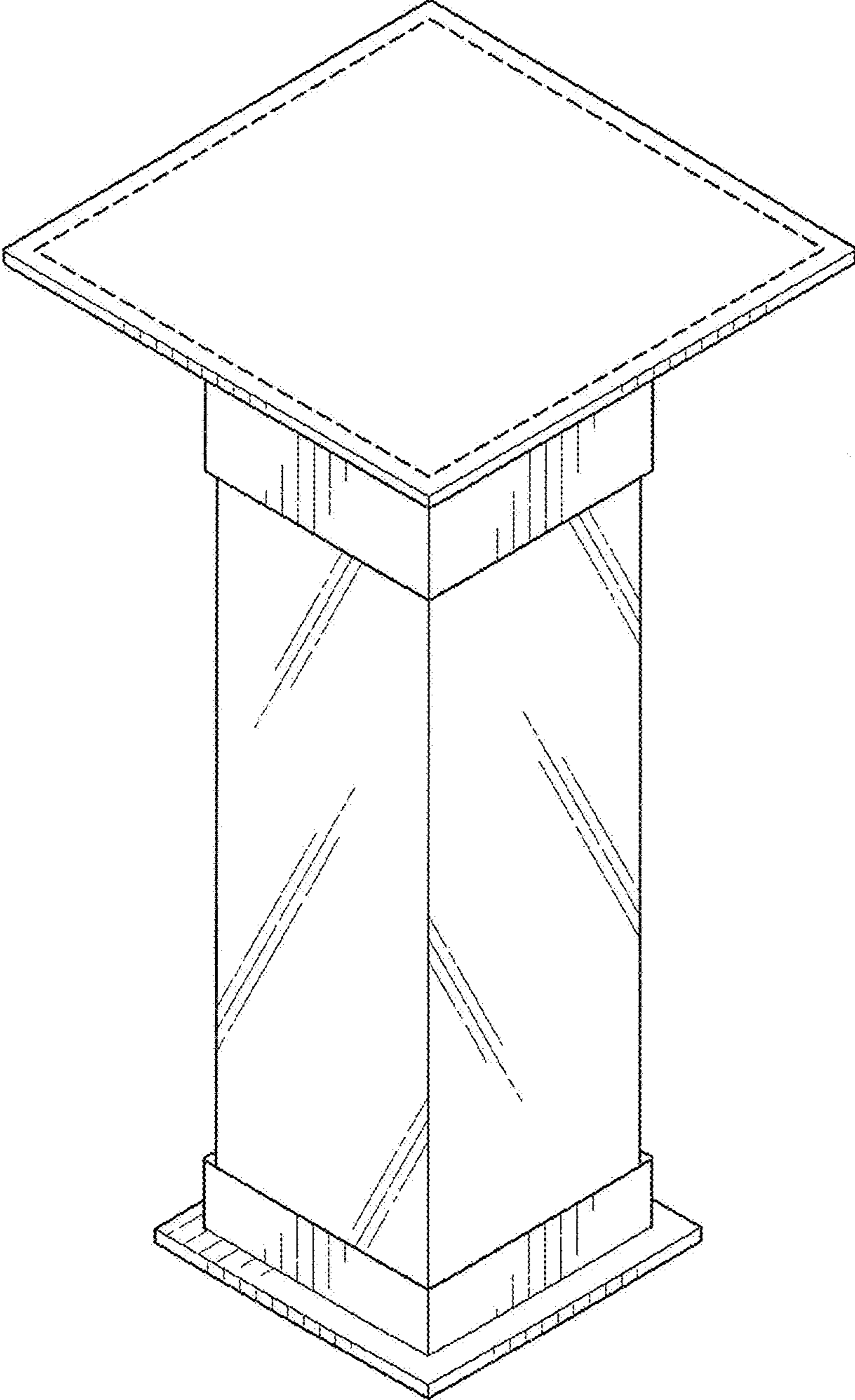


FIG. 1

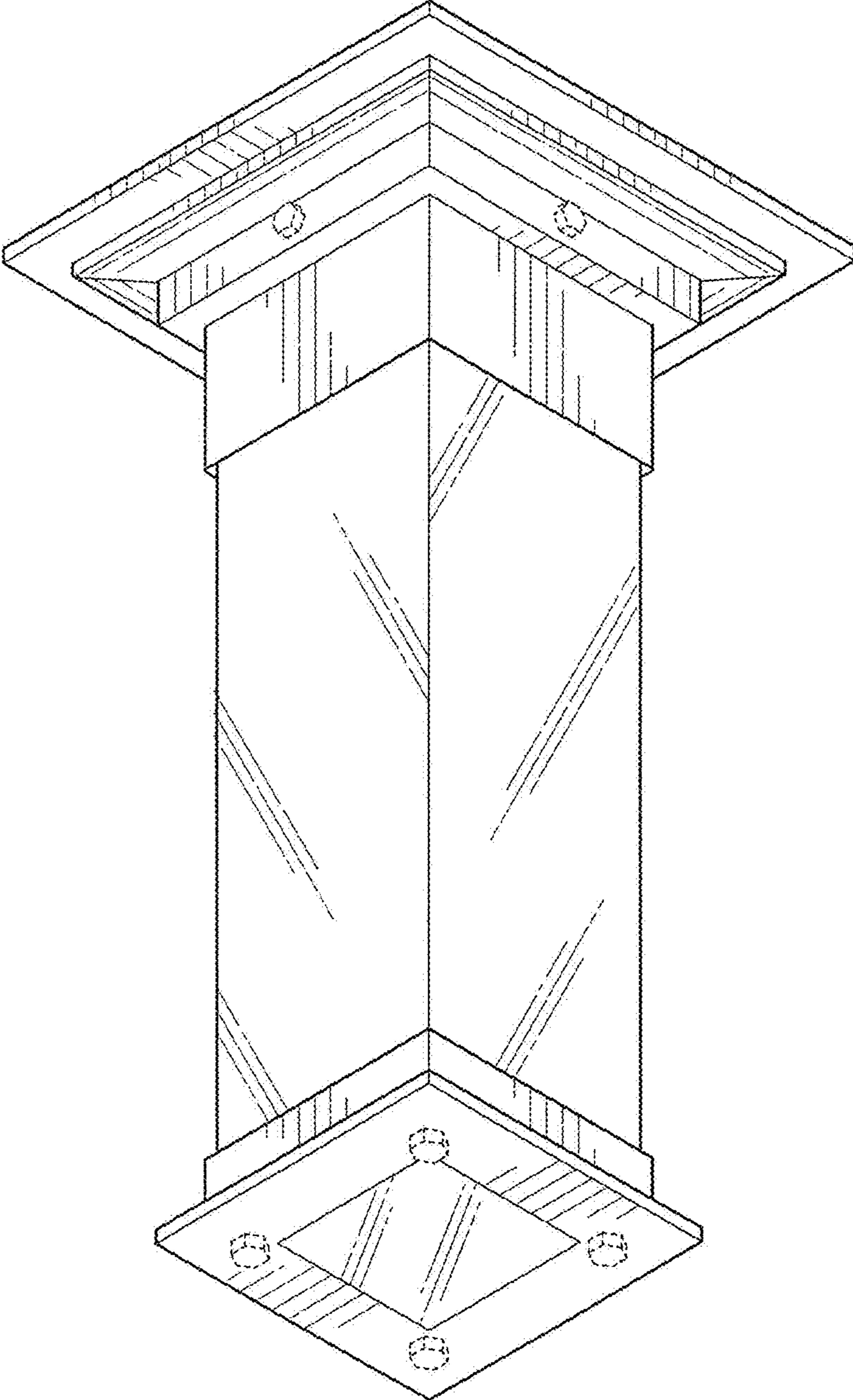


FIG. 2

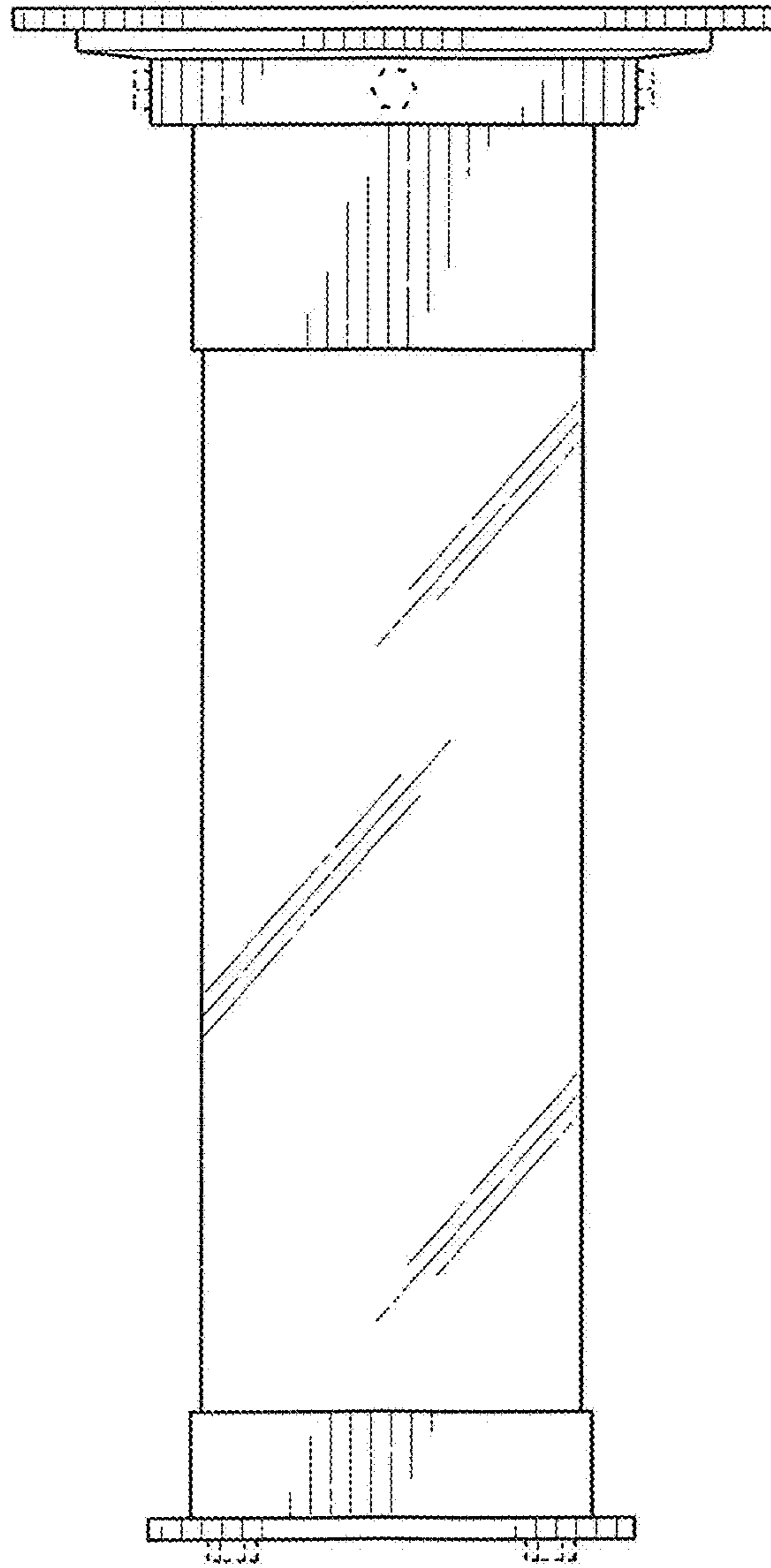


FIG. 3

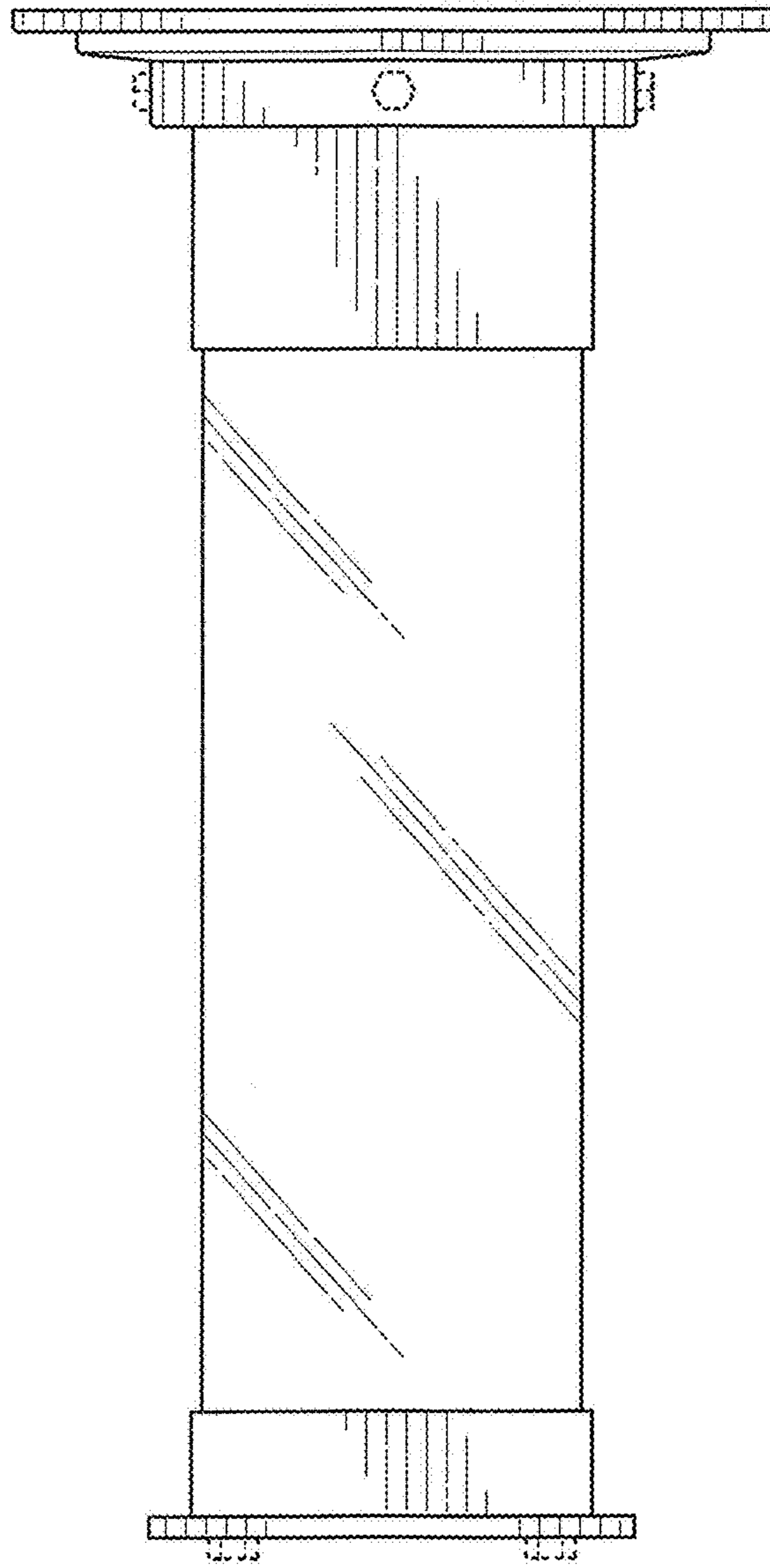


FIG. 4

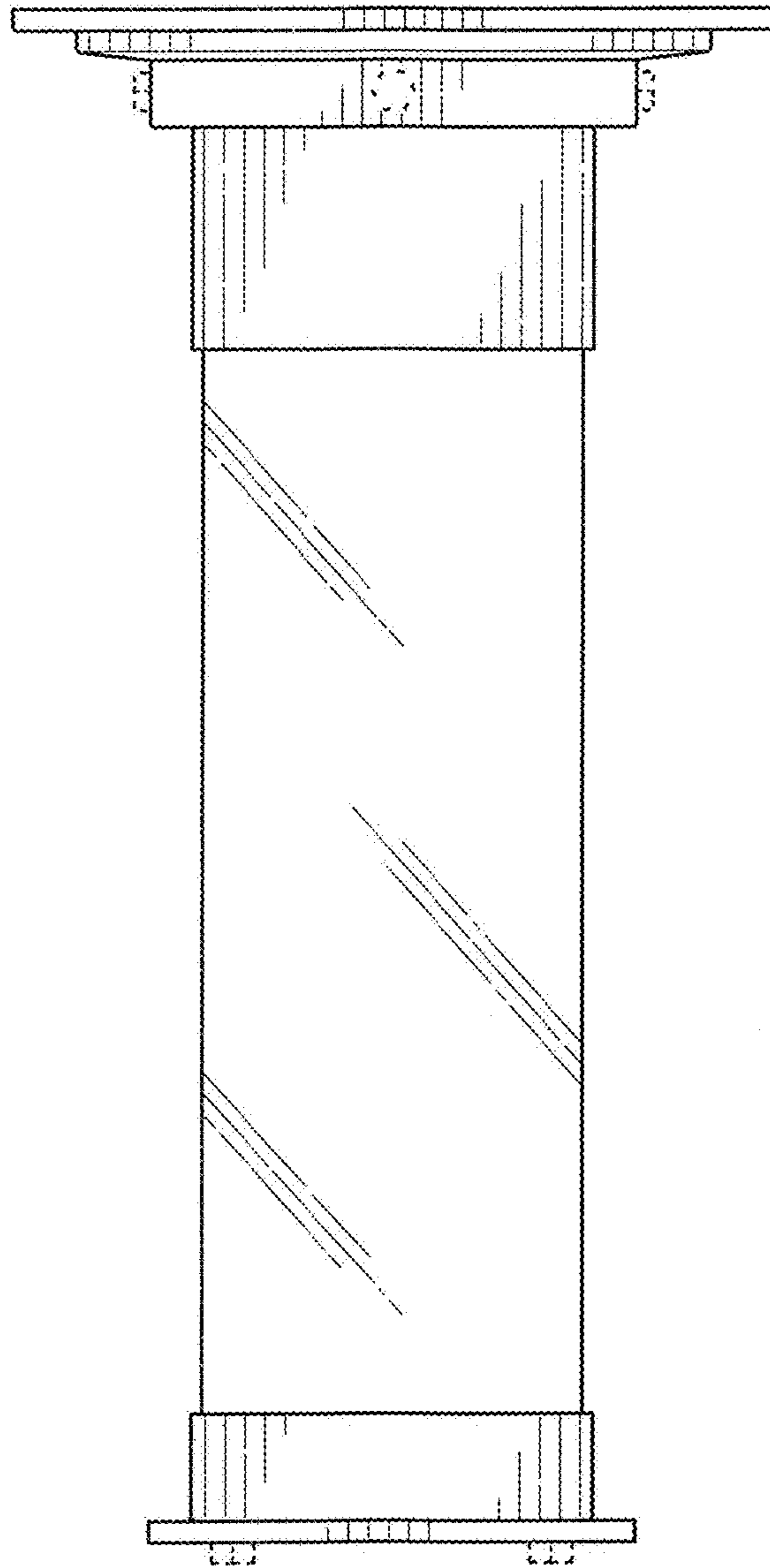


FIG. 5

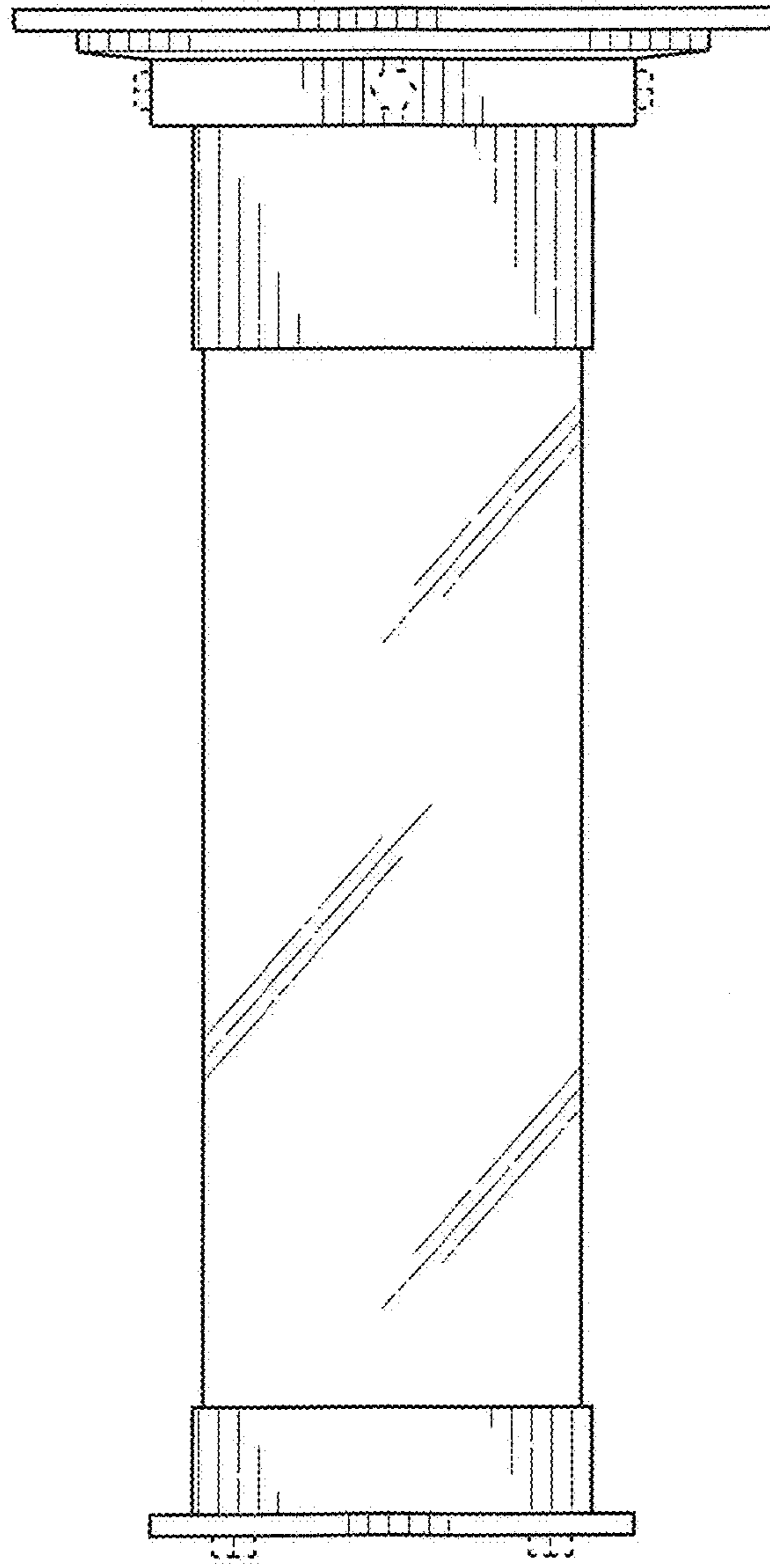


FIG. 6

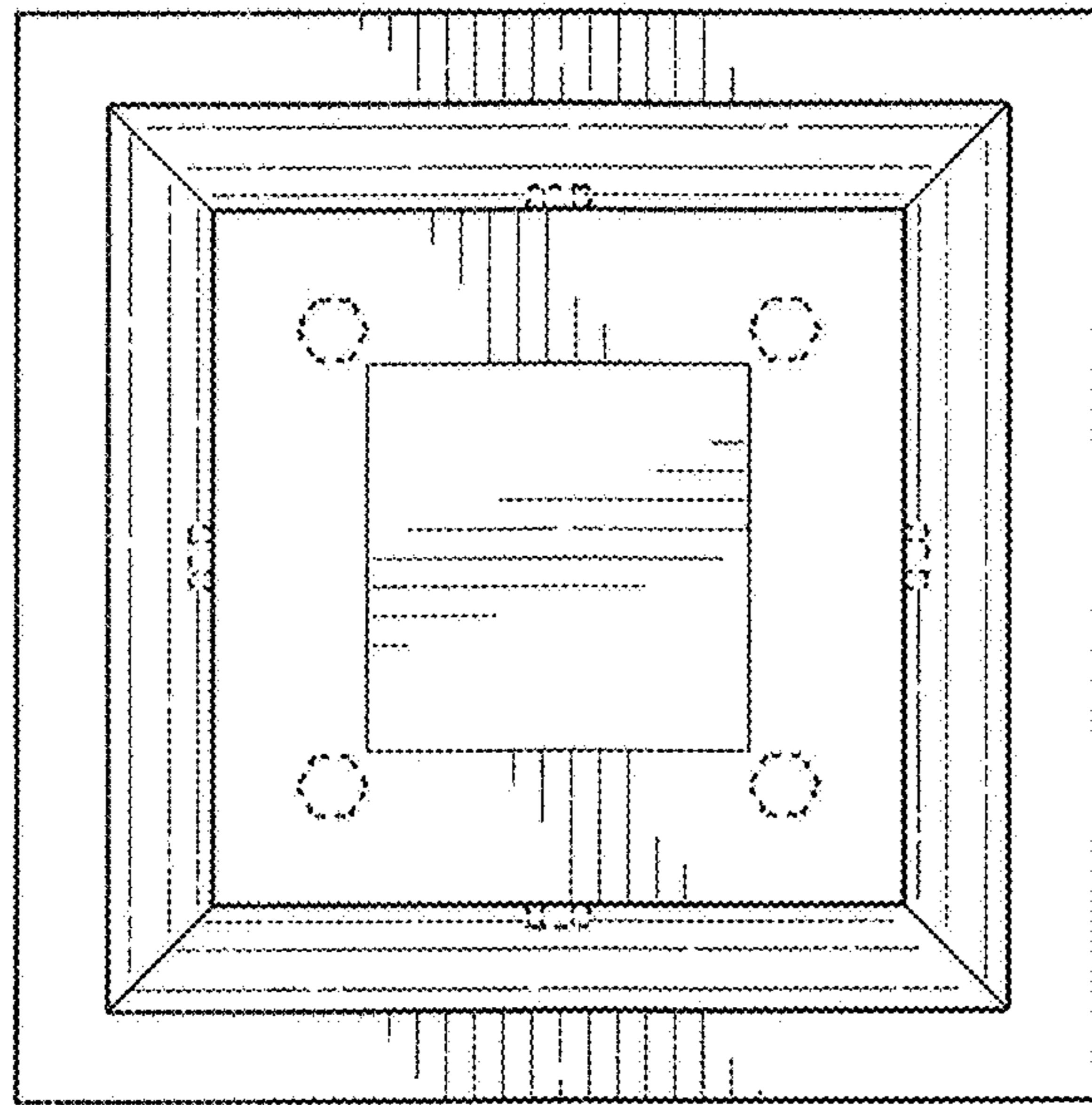


FIG. 7