



US00D823519S

(12) **United States Design Patent**
Adams et al.

(10) **Patent No.:** **US D823,519 S**
(45) **Date of Patent:** **** Jul. 17, 2018**

(54) **HORTICULTURAL LIGHTING FIXTURE**

(71) Applicant: **Illum Horticulture LLC**, Mesa, AZ
(US)

(72) Inventors: **Stephen P. Adams**, Mesa, AZ (US);
Johnathan J. Heiner, Mesa, AZ (US)

(73) Assignee: **Illum Horticulture LLC**, Mesa, AZ
(US)

(**) Term: **15 Years**

(21) Appl. No.: **29/608,690**

(22) Filed: **Jun. 23, 2017**

(51) **LOC (11) Cl.** **26-04**

(52) **U.S. Cl.**
USPC **D26/76**

(58) **Field of Classification Search**
USPC D26/76, 78, 79, 80, 81, 82, 83, 85, 86,
D26/88, 90, 113, 118, 119, 120, 121, 122,
D26/138, 139, 140, 141, 142, 152
CPC F21S 2/00; F21S 4/00; F21S 4/003; F21S
4/005; F21S 4/006; F21S 4/007; F21S
4/008; F21S 6/00; F21S 8/00; F21S
8/024; F21S 8/026; F21S 8/031; F21S
8/033; F21S 8/035-8/037; F21S 8/04;
F21S 8/043; F21S 8/063
See application file for complete search history.

(56) **References Cited**

U.S. PATENT DOCUMENTS

D149,427 S * 4/1948 Lindahl D26/77
D153,665 S * 5/1949 Reilly D26/77
D154,058 S * 6/1949 Nitardy D26/76
2,606,998 A * 8/1952 Wyman F21V 15/015
362/220
D244,561 S * 5/1977 Dacal D26/24

D247,756 S * 4/1978 Nagelkerke D26/77
D441,890 S * 5/2001 Grimm D26/76
D449,400 S * 10/2001 Tillman D26/76
D624,229 S * 9/2010 Adolph D26/76
D705,976 S * 5/2014 Hedstrom D26/76
D744,690 S * 12/2015 Boyer D26/76
D773,108 S * 11/2016 Anderson D26/118
D775,393 S * 12/2016 Adams D26/63
D796,101 S * 8/2017 Verfueth D26/71
2017/0097152 A1 * 4/2017 Scribante F21V 29/83

* cited by examiner

Primary Examiner — George D Kirschbaum

Assistant Examiner — Natasha Vujcic

(74) *Attorney, Agent, or Firm* — Michael T. Wallace

(57) **CLAIM**

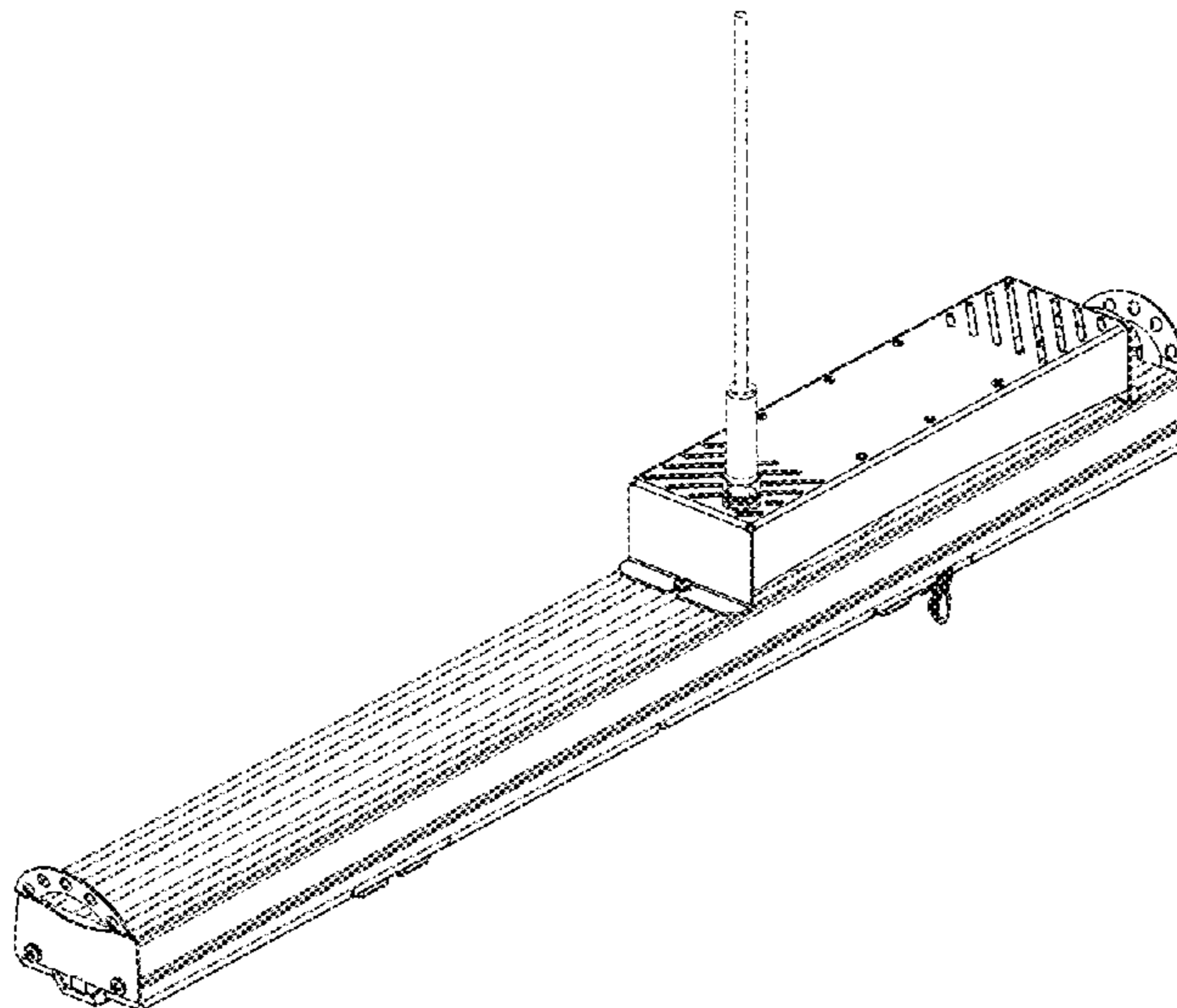
The ornamental design for a horticultural lighting fixture, as shown and described.

DESCRIPTION

FIG. 1 is front, top, left perspective view of our new design for a horticultural lighting fixture;
FIG. 2 is a front, top, right perspective view thereof;
FIG. 3 is a back, bottom, right perspective view thereof;
FIG. 4 is a back, bottom, left perspective view thereof;
FIG. 5 is a front, bottom, left perspective view thereof;
FIG. 6 is a front, bottom, right perspective view thereof;
FIG. 7 is a back view thereof;
FIG. 8 is a front view thereof;
FIG. 9 is a right side view thereof;
FIG. 10 is a left side view thereof;
FIG. 11 is a top view thereof; and,
FIG. 12 is a bottom view thereof.

The broken lines in the drawings illustrate portions of the horticultural lighting fixture which form no part of the claimed design.

1 Claim, 12 Drawing Sheets



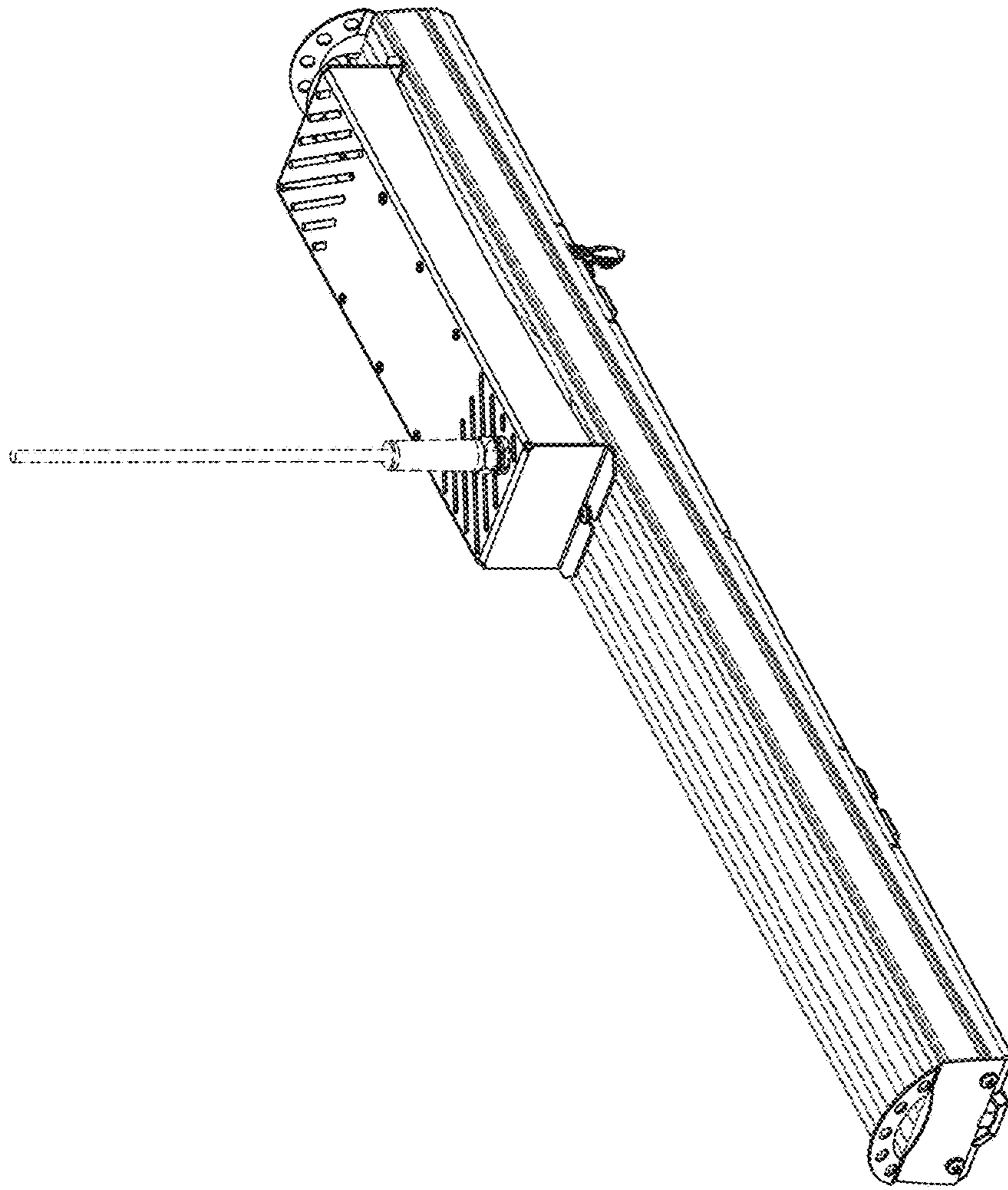


FIG. 1

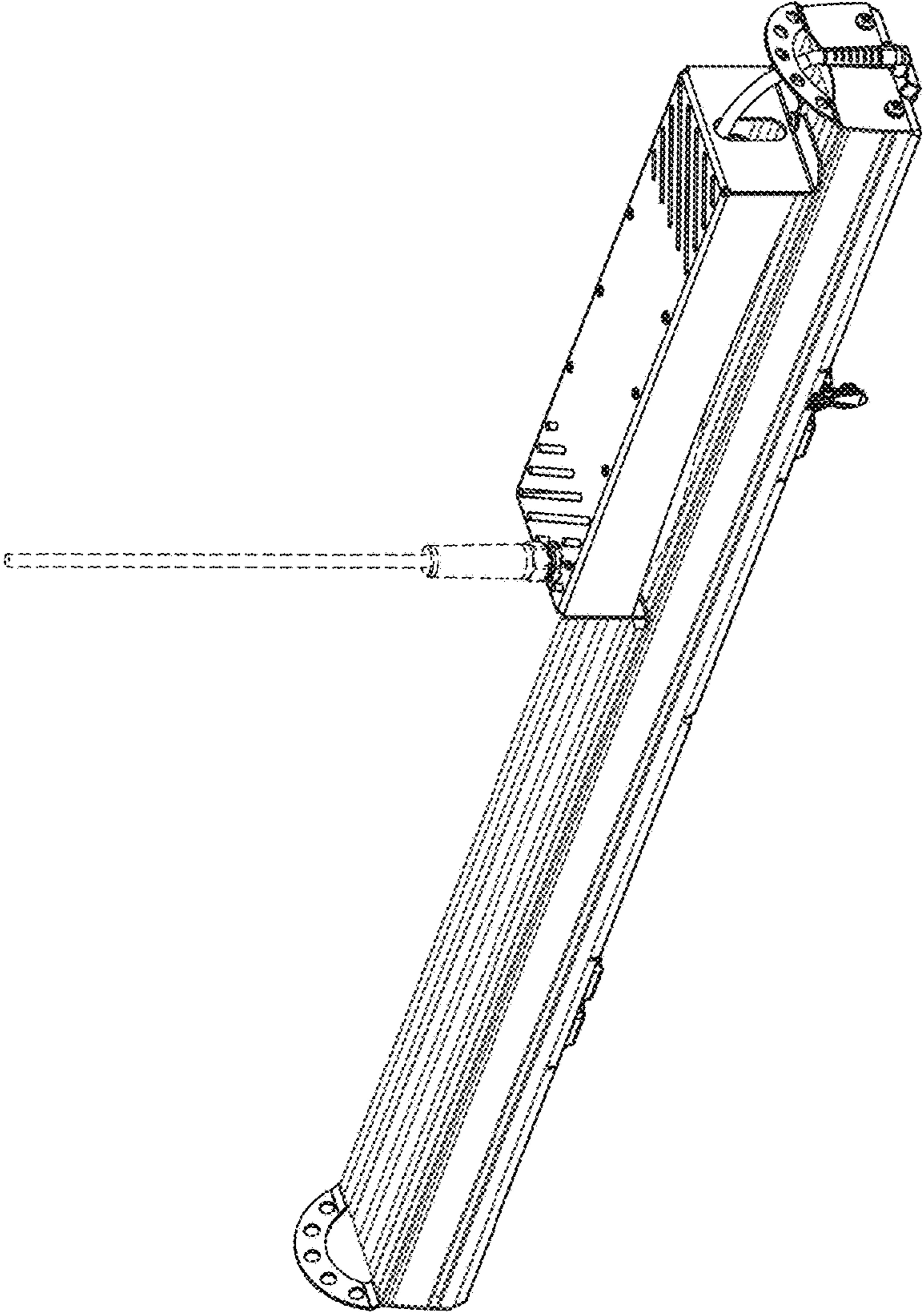


FIG. 2

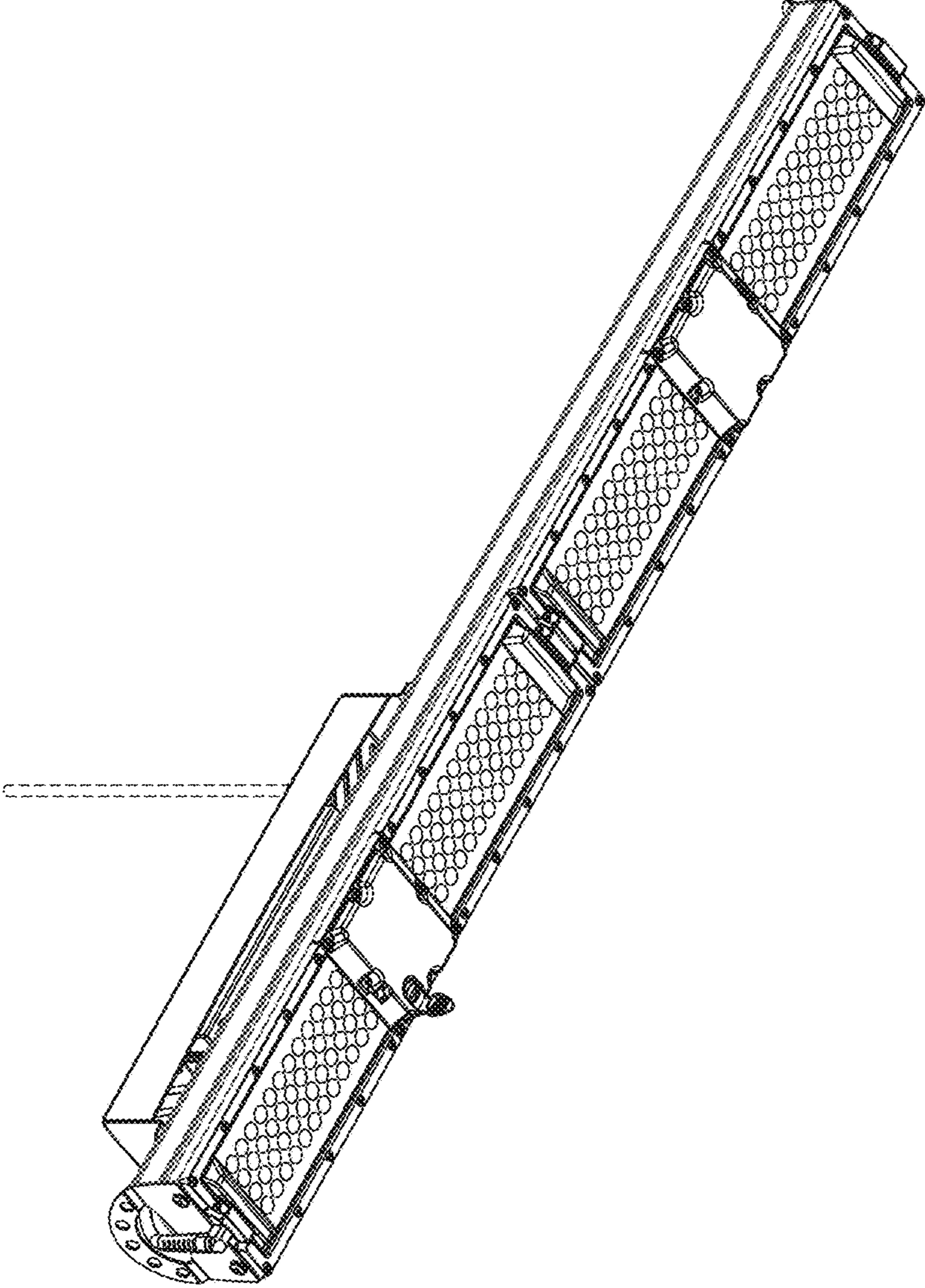


FIG. 3

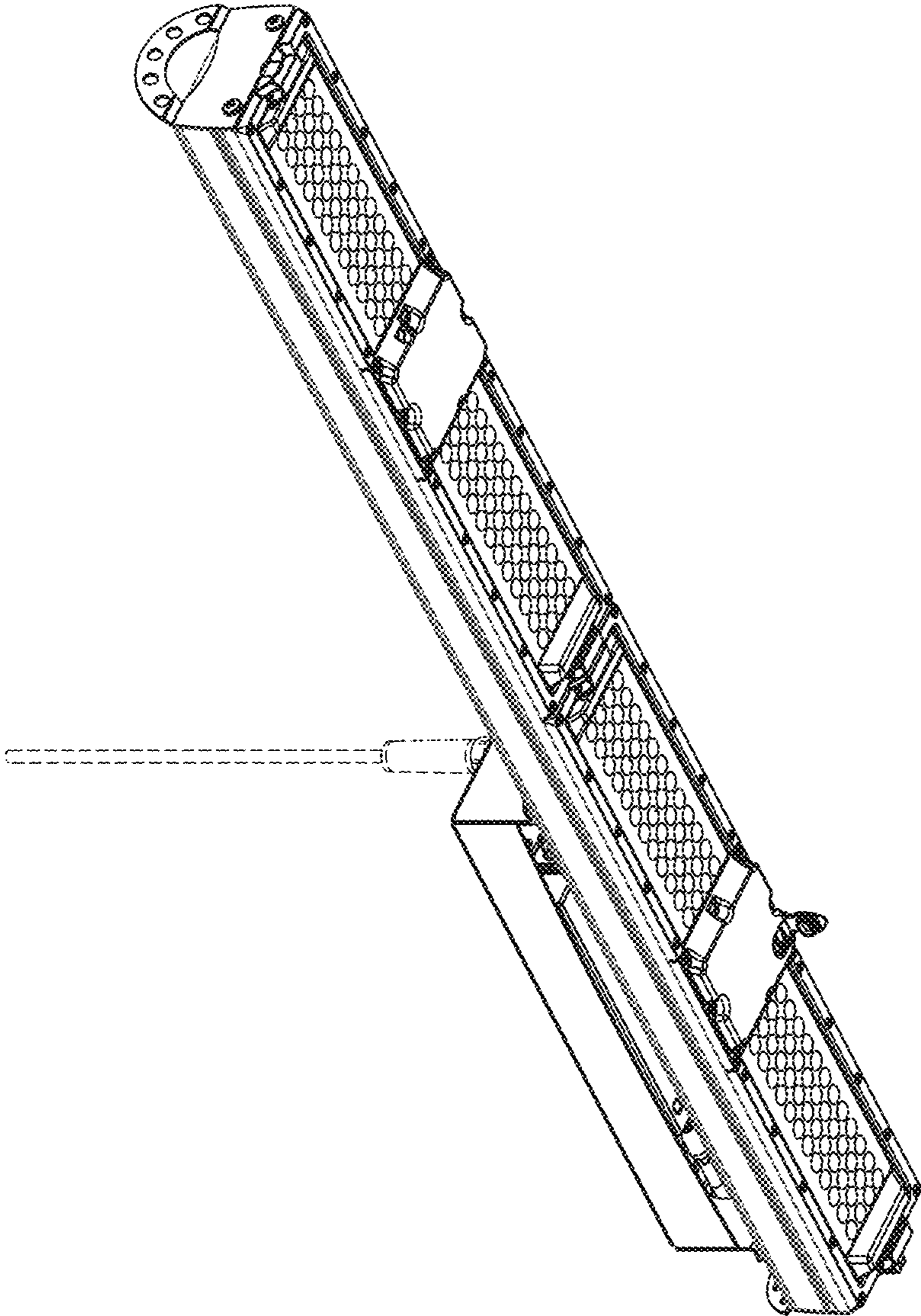


FIG. 4

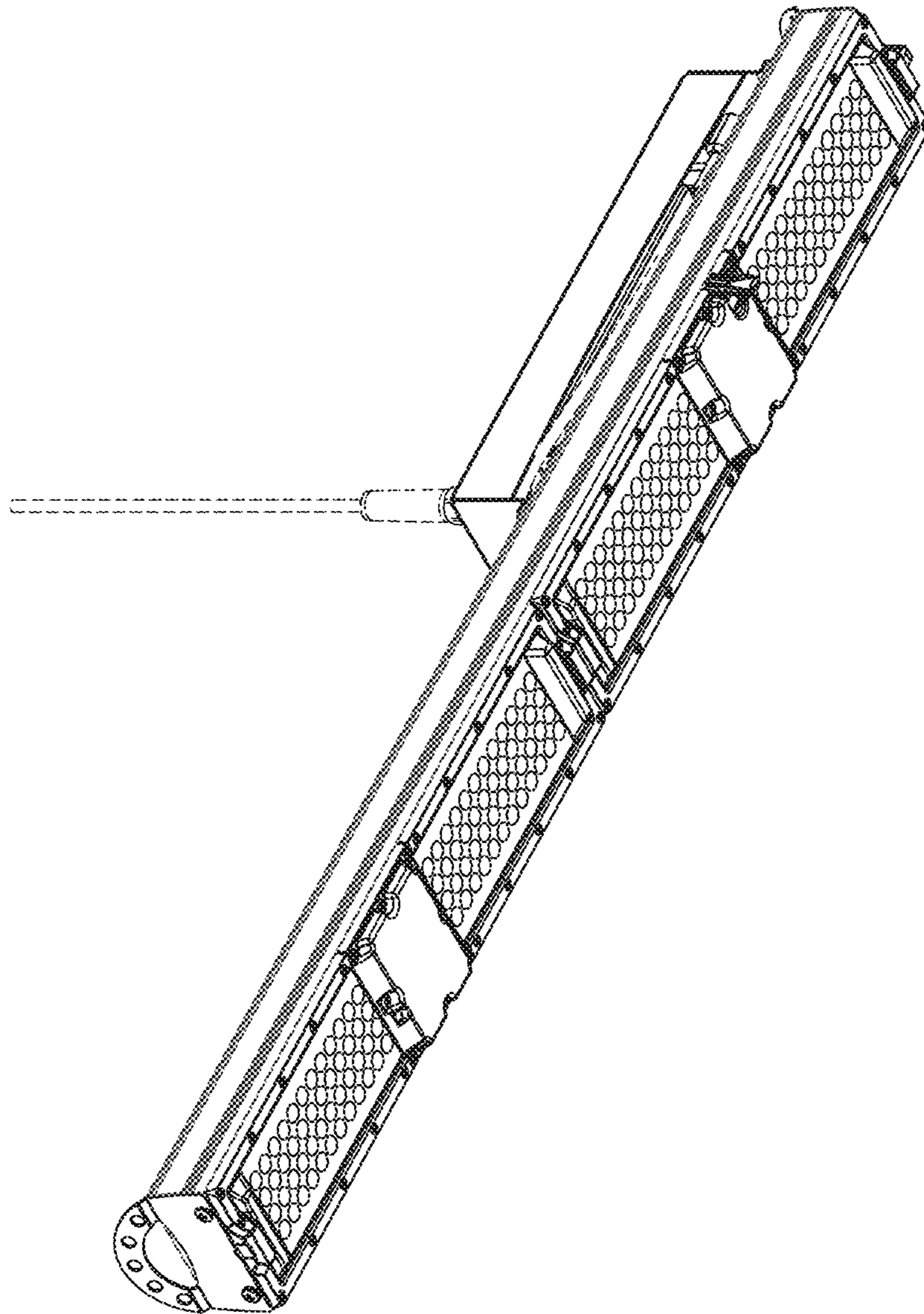


FIG. 5

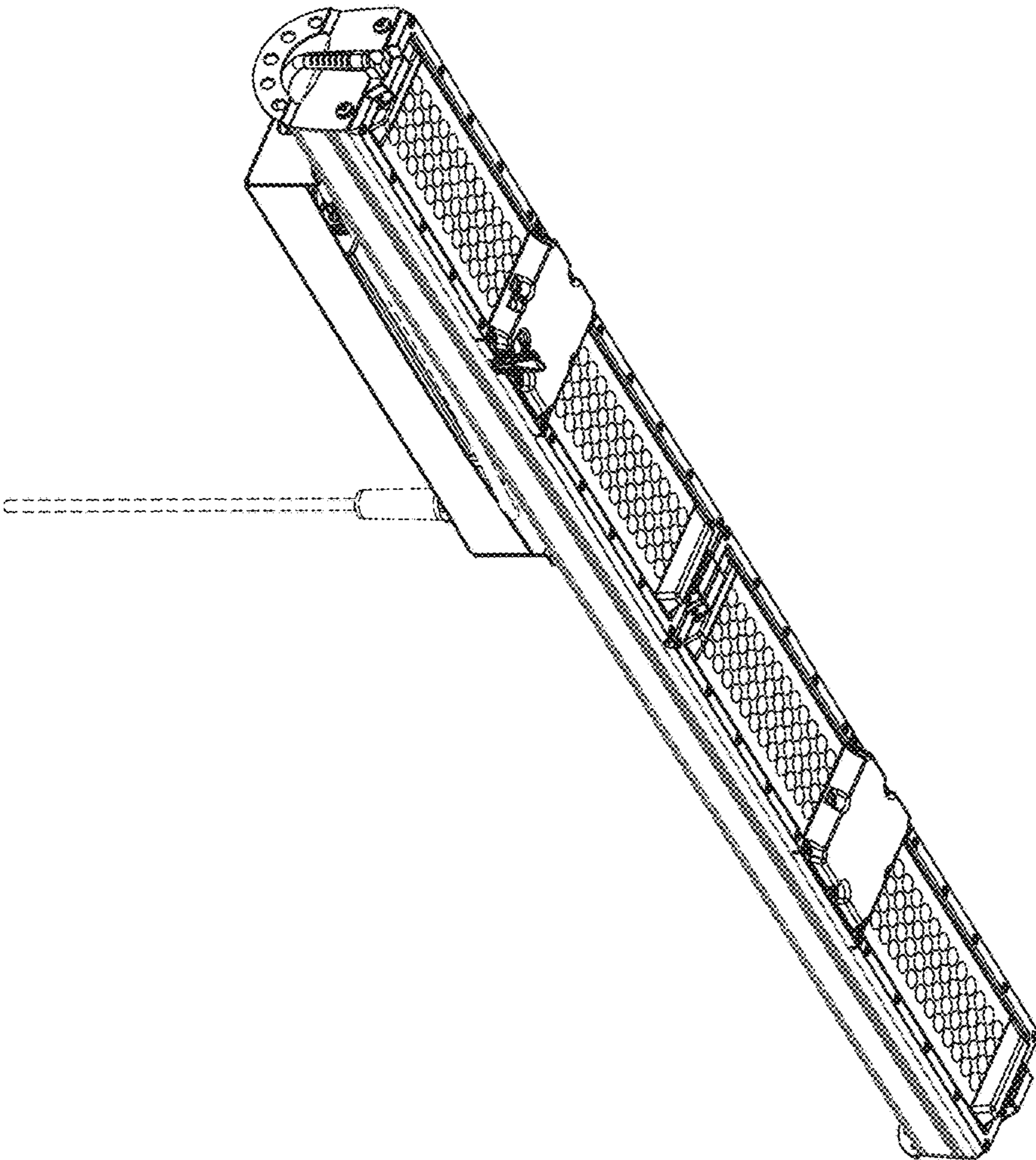


FIG. 6

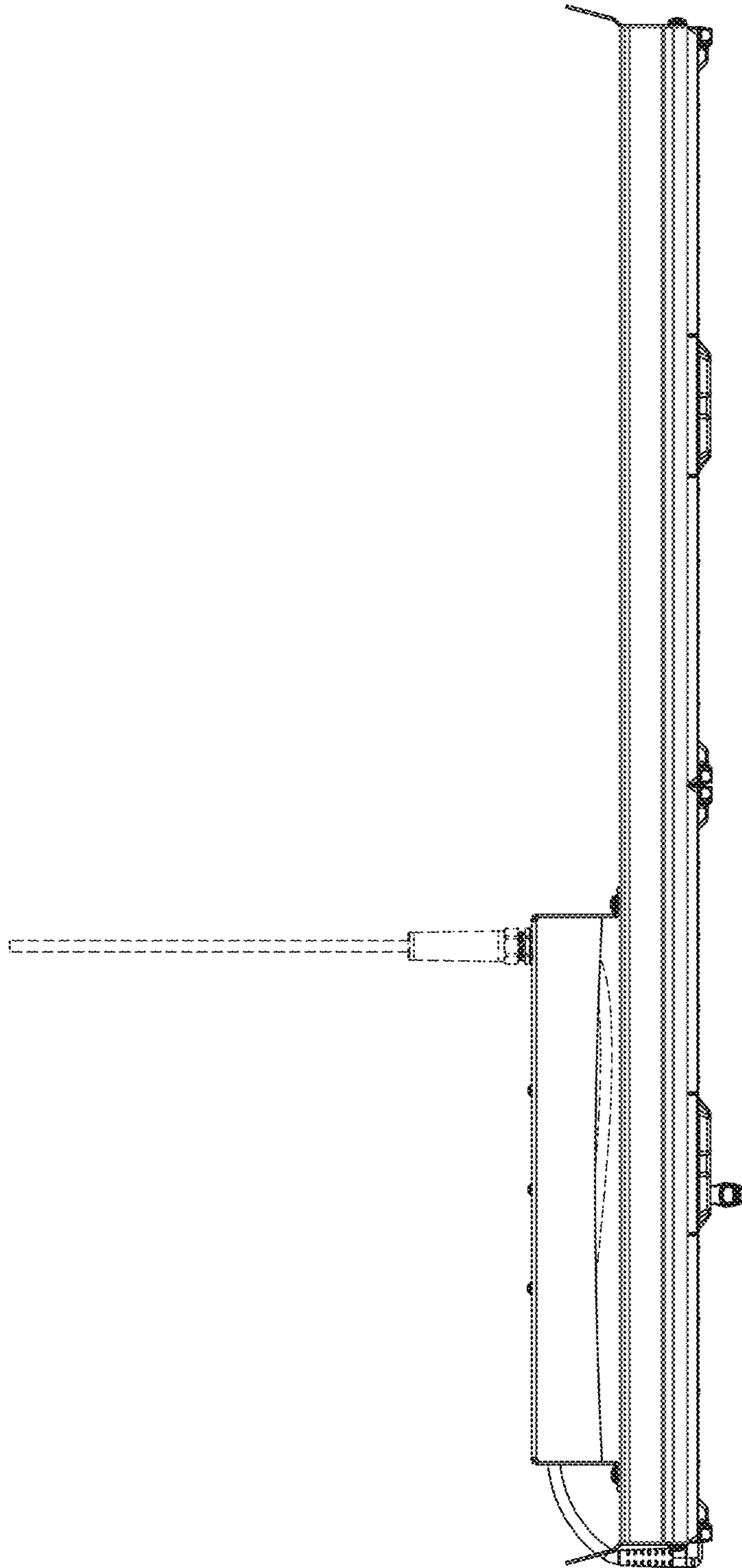


FIG. 7

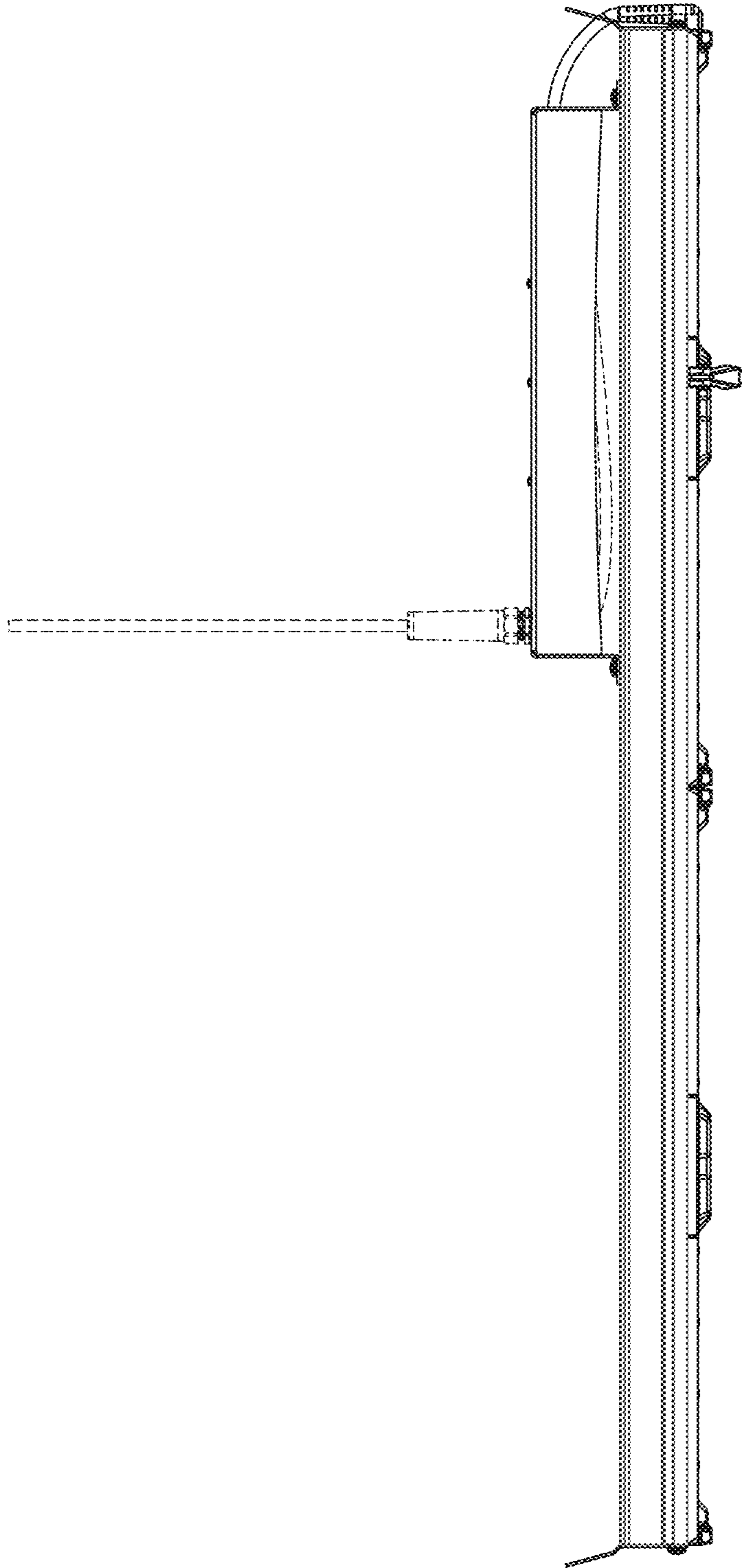


FIG. 8

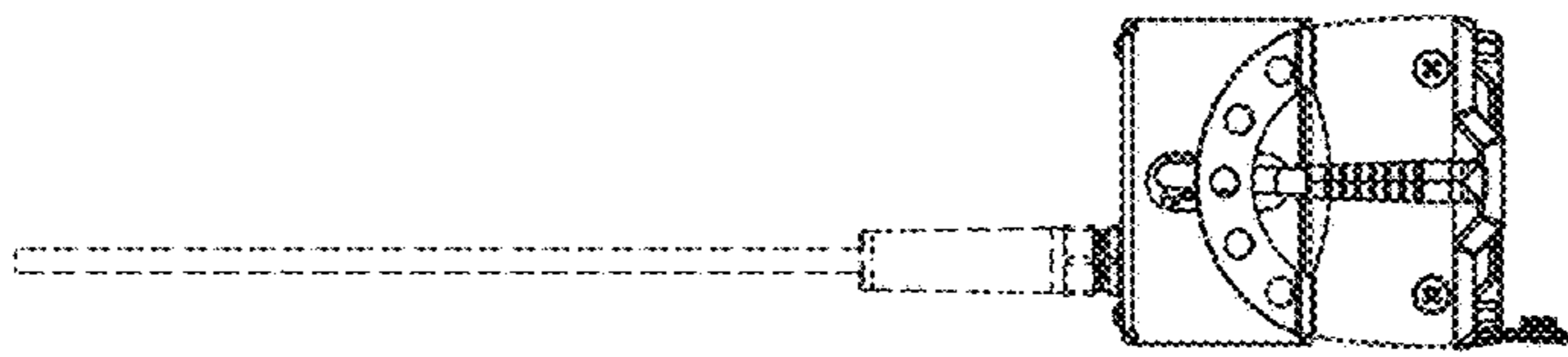


FIG. 9

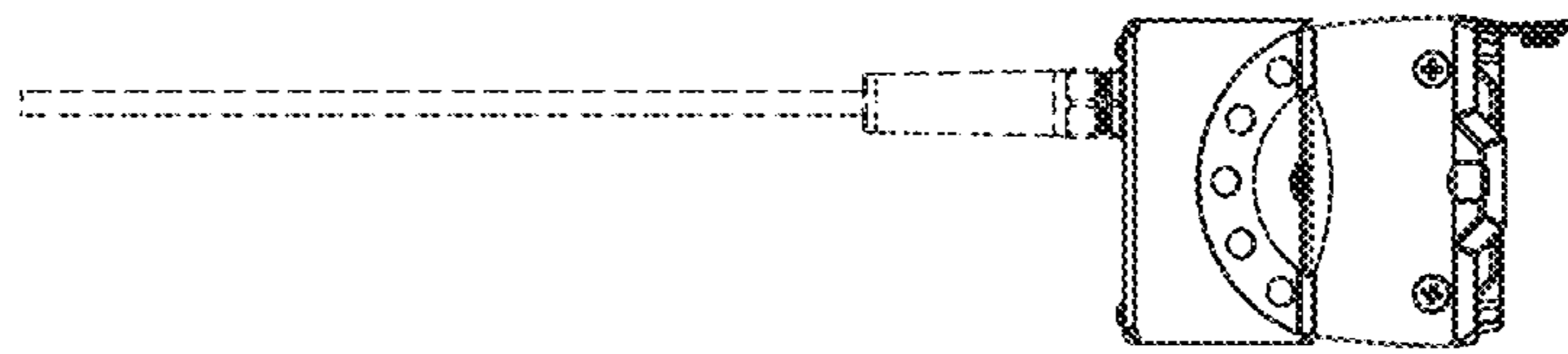


FIG. 10

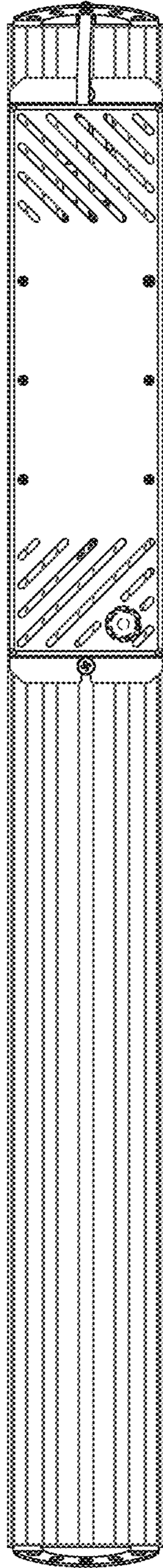


FIG. 11

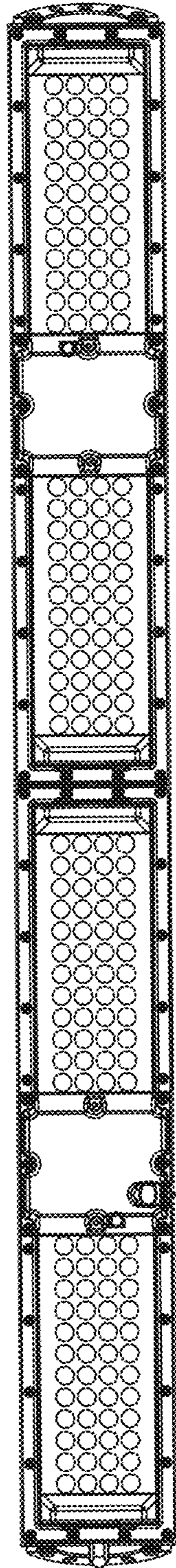


FIG. 12