



US00D823518S

(12) **United States Design Patent**
Barrett

(10) **Patent No.:** **US D823,518 S**
(45) **Date of Patent:** **** Jul. 17, 2018**

- (54) **LETTER NIGHT LIGHT**
- (71) Applicant: **Kevin Barrett**, Norco, CA (US)
- (72) Inventor: **Kevin Barrett**, Norco, CA (US)
- (**) Term: **15 Years**
- (21) Appl. No.: **29/584,646**
- (22) Filed: **Nov. 16, 2016**
- (51) **LOC (11) Cl.** **26-05**
- (52) **U.S. Cl.**
USPC **D26/73; D26/87**
- (58) **Field of Classification Search**
USPC D26/26, 72, 73, 85, 87, 92, 118, 120,
D26/138, 142, 145, 155
CPC F21S 8/03; F21S 8/033; F21S 8/035; F21S
8/036; F21S 8/037; F21V 1/146; F21V
3/0409; F21V 7/041; F21V 7/043; F21V
7/045; F21V 7/046; F21V 7/05; F21V
7/06
See application file for complete search history.

(56) **References Cited**

U.S. PATENT DOCUMENTS

D90,777 S *	9/1933	Lippard	D26/73
D186,128 S *	9/1959	Franzone	D26/73
D208,003 S *	6/1967	Eckert	D26/87
D242,574 S *	11/1976	McCuiston	D26/73
D332,499 S	1/1993	Beeson		
D374,300 S *	10/1996	Germany	D26/51
D457,980 S *	5/2002	Lane	D26/73
D460,573 S	7/2002	Gee, II		
D473,005 S *	4/2003	Hoernig	D26/87
D485,380 S	1/2004	Goodenow		
D515,233 S *	2/2006	Miranda	D26/86
D525,376 S	7/2006	Brady		
D593,245 S *	5/2009	Kasatshko	D26/73
D662,253 S *	6/2012	Wauters	D26/85

D700,731 S *	3/2014	Schwartz	D26/68
D715,478 S *	10/2014	Blum	D26/85
D746,504 S *	12/2015	Sabernig	D26/85

OTHER PUBLICATIONS

Shutterstock Alphabet D Made Light Bulb 3d Stock Illustration No. 555589216. Found at shutterstock.com, visited Feb. 20, 2018. (Year: 2018).*

Industrial Rustic Edison Table Lamp listing No. 198367454 from Urban Industrial Craft shop at etsy.com, visited Feb. 20, 2018. (Year: 2018).*

Iron Pipe Lamp listing No. 574347246 from MarJacDecor shop at etsy.com. Listed on Jan. 21, 2018. (Year: 2018).*

Pipe Font from handmadefont.com, visited Feb. 20, 2018. (Year: 2018).*

* cited by examiner

Primary Examiner — Clare E Heflin
(74) *Attorney, Agent, or Firm* — Kirk A. Buhler; Buhler & Associates

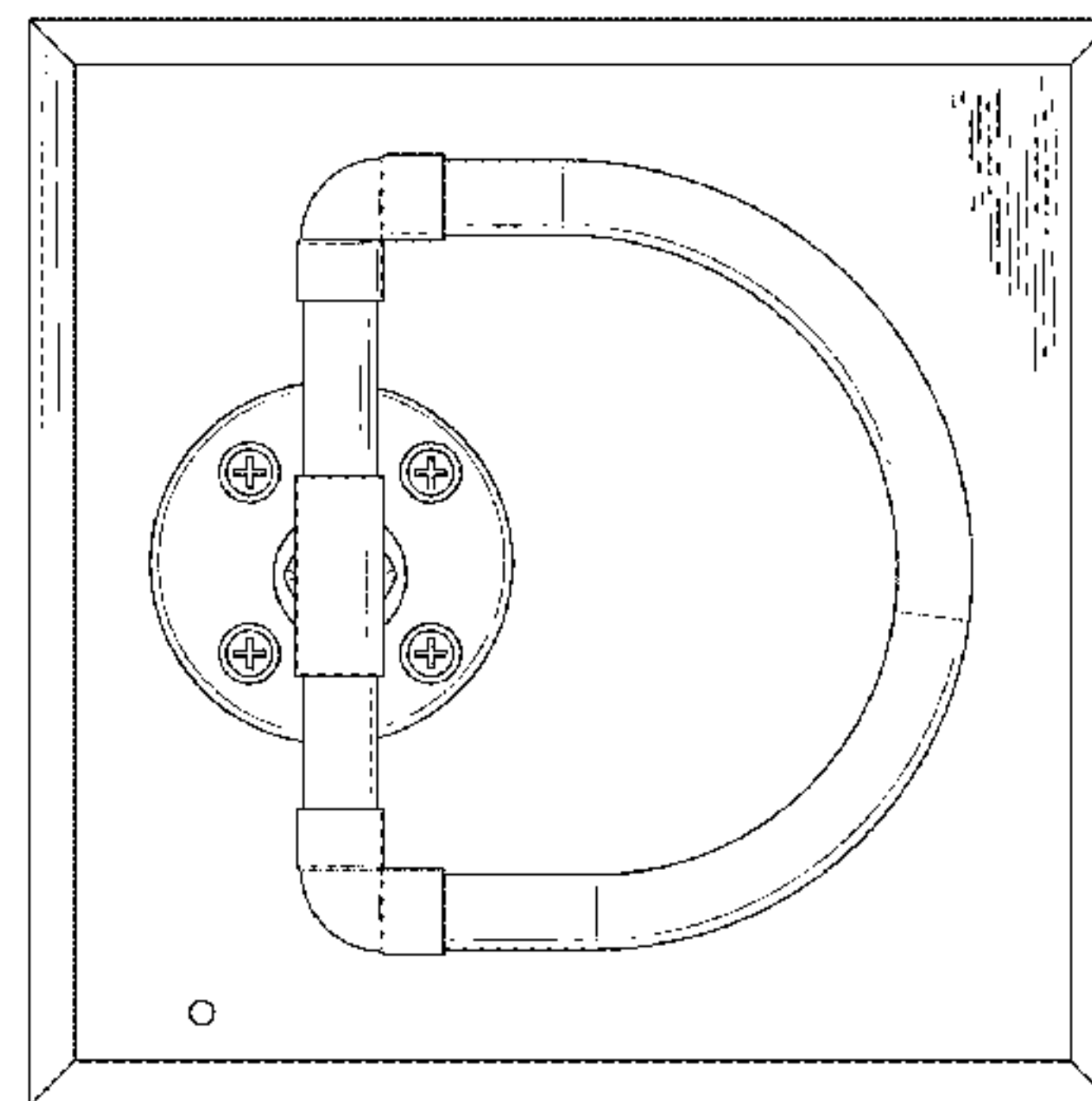
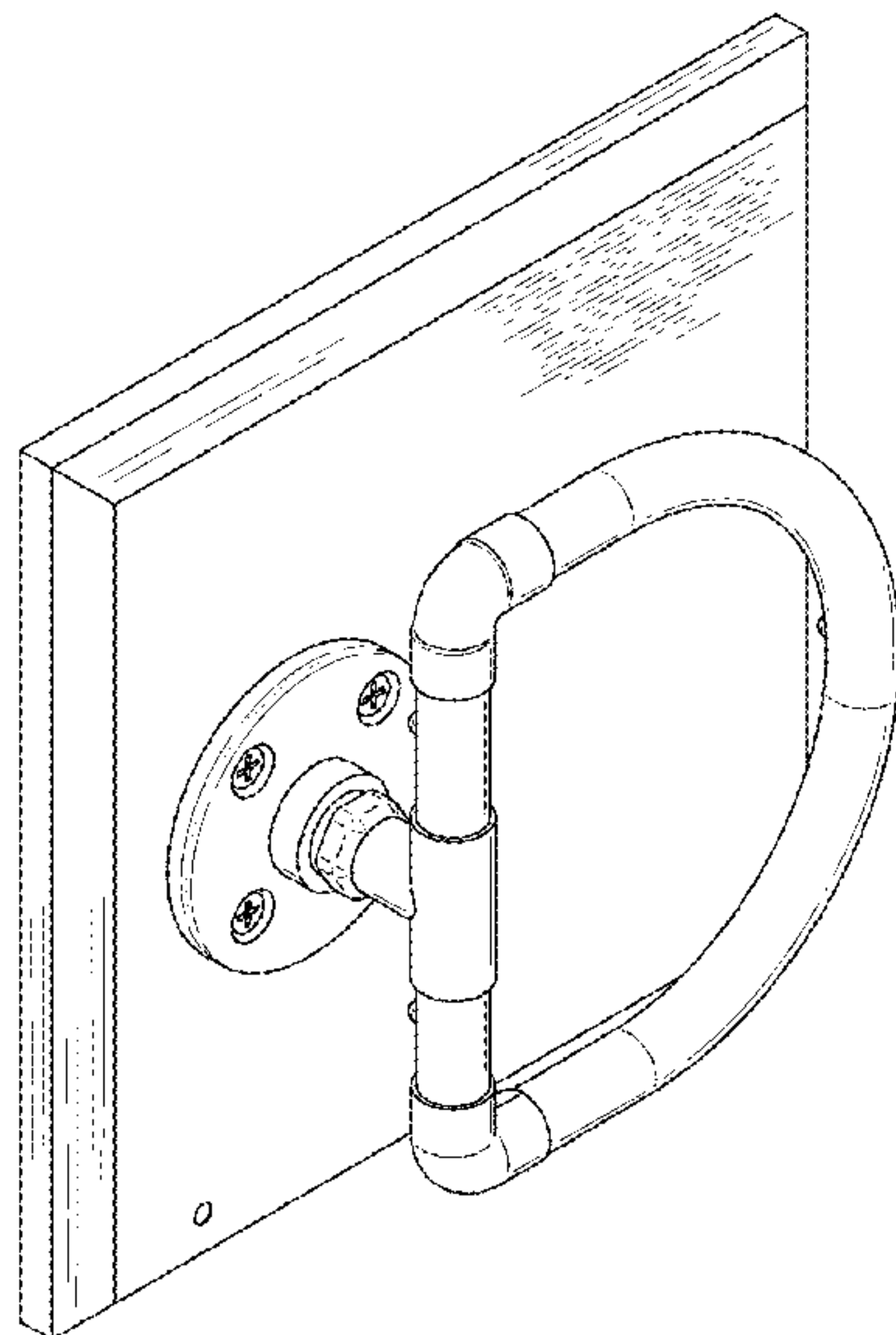
(57) **CLAIM**

The ornamental design for a letter night light, as shown and described.

DESCRIPTION

FIG. 1 is a top perspective view for a letter night light showing my new design;
FIG. 2 is a front view thereof;
FIG. 3 is a left side view thereof;
FIG. 4 is a rear view thereof;
FIG. 5 is a right side view thereof;
FIG. 6 is a top view thereof; and,
FIG. 7 is a bottom view thereof.
The broken lines in FIG. 4 depict environmental subject matter and form no part of the claimed design.

1 Claim, 4 Drawing Sheets



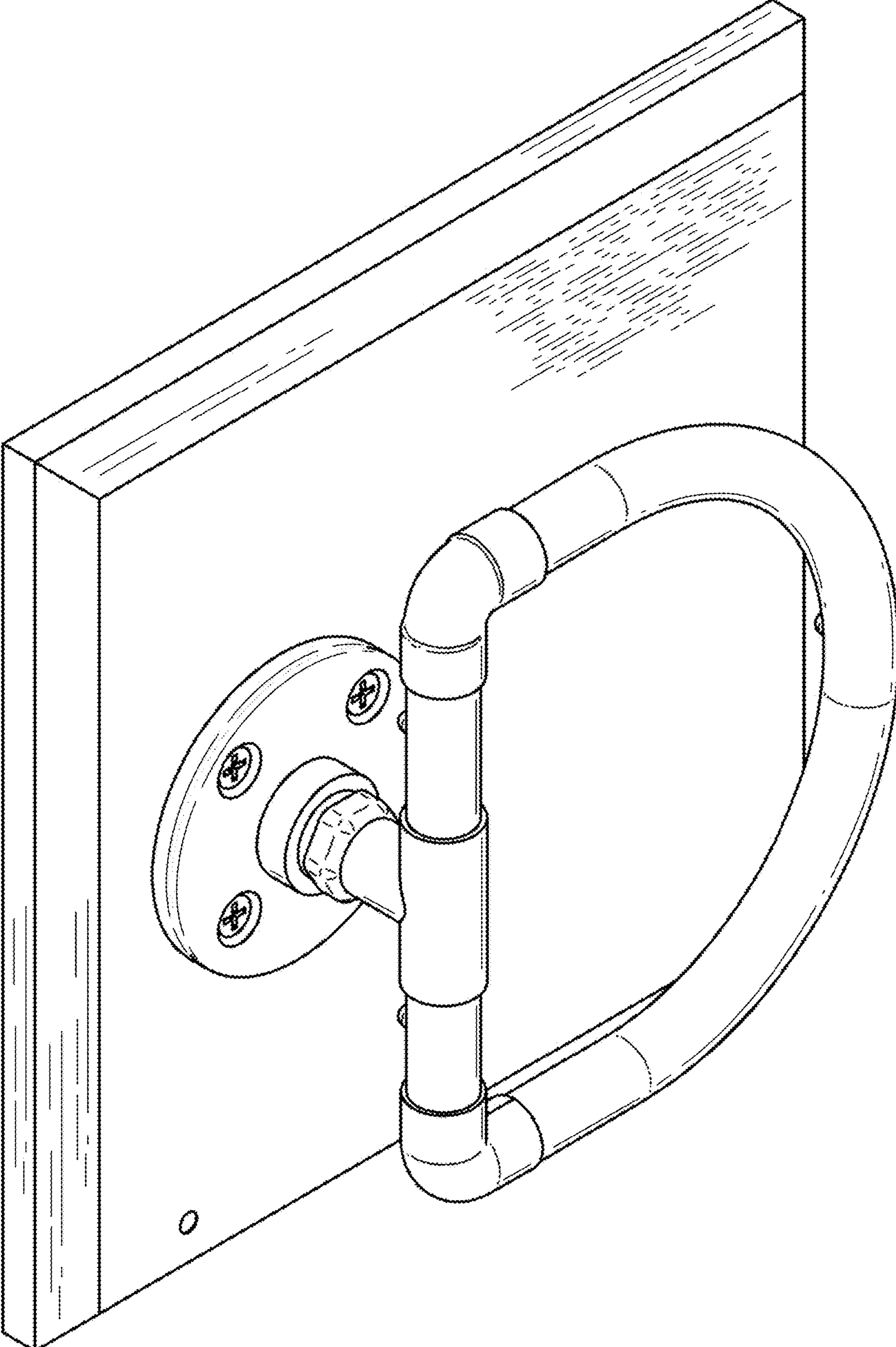


FIG. 1

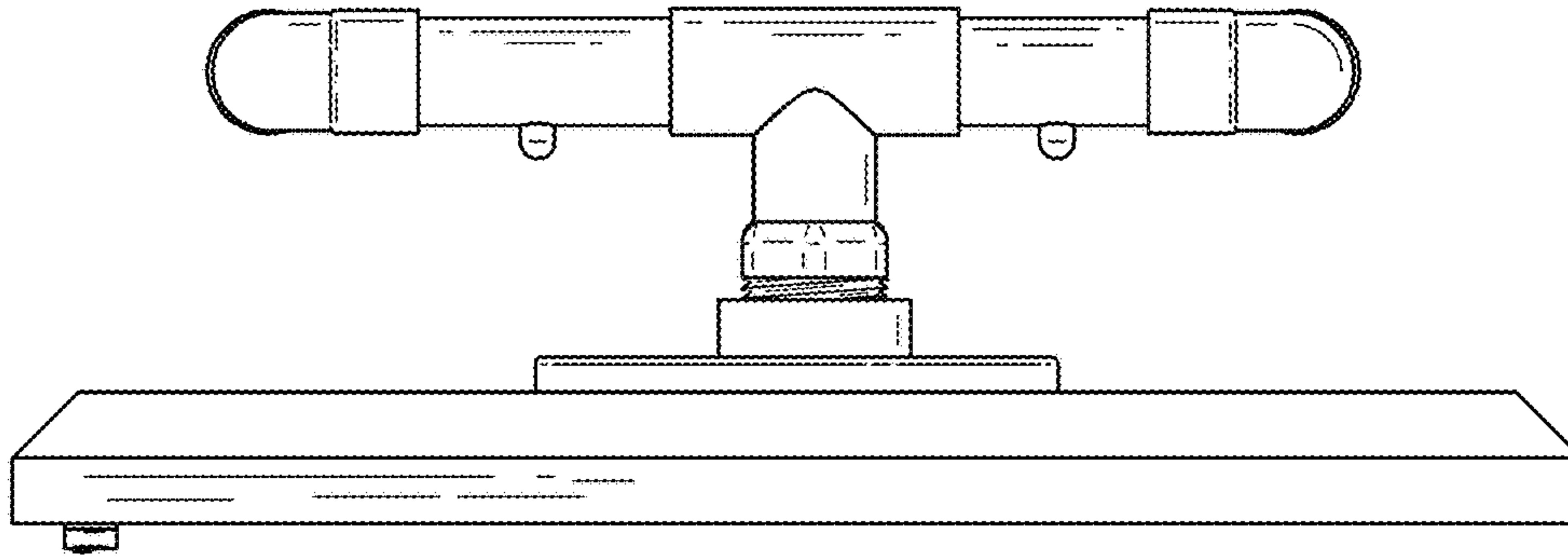


FIG. 3

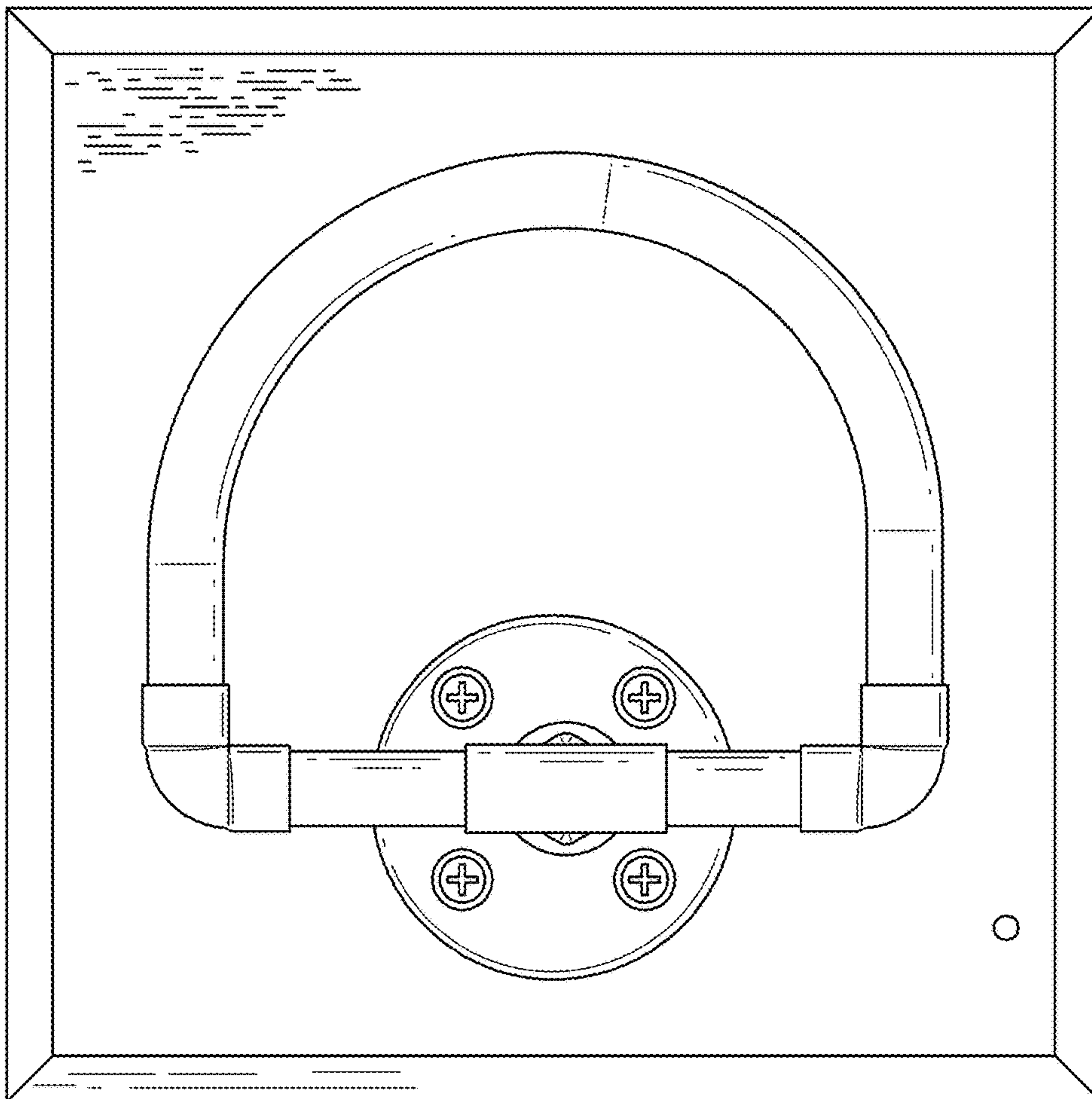


FIG. 2

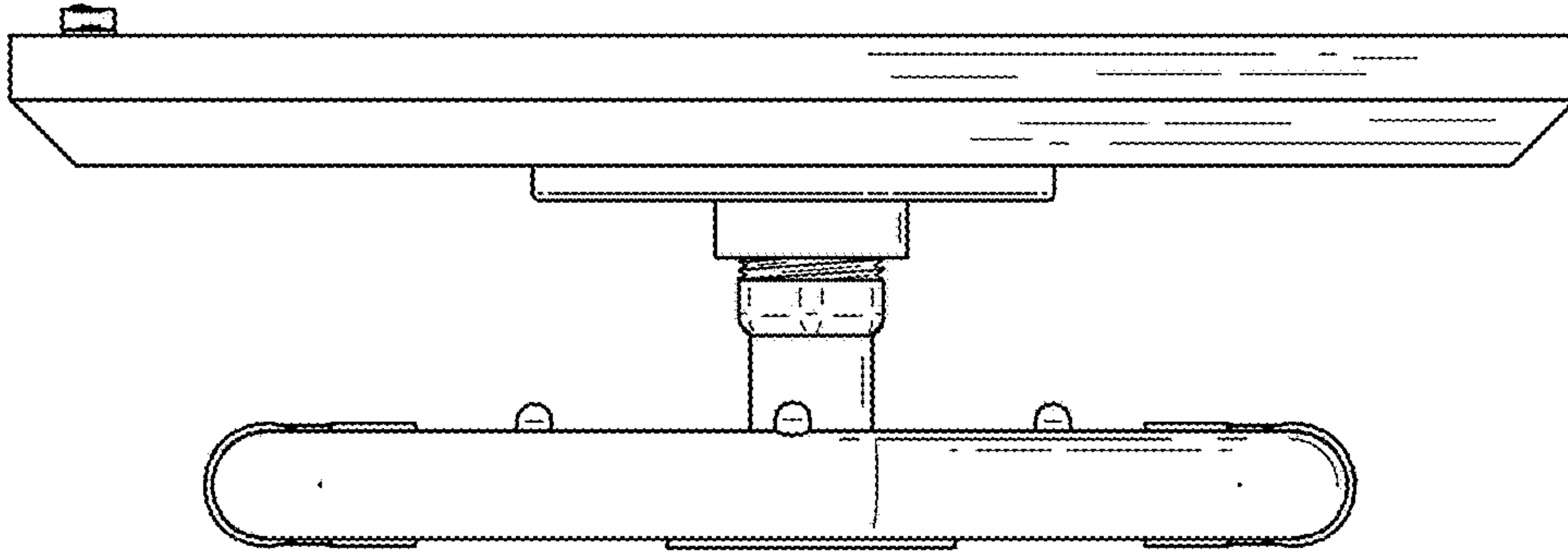


FIG. 5

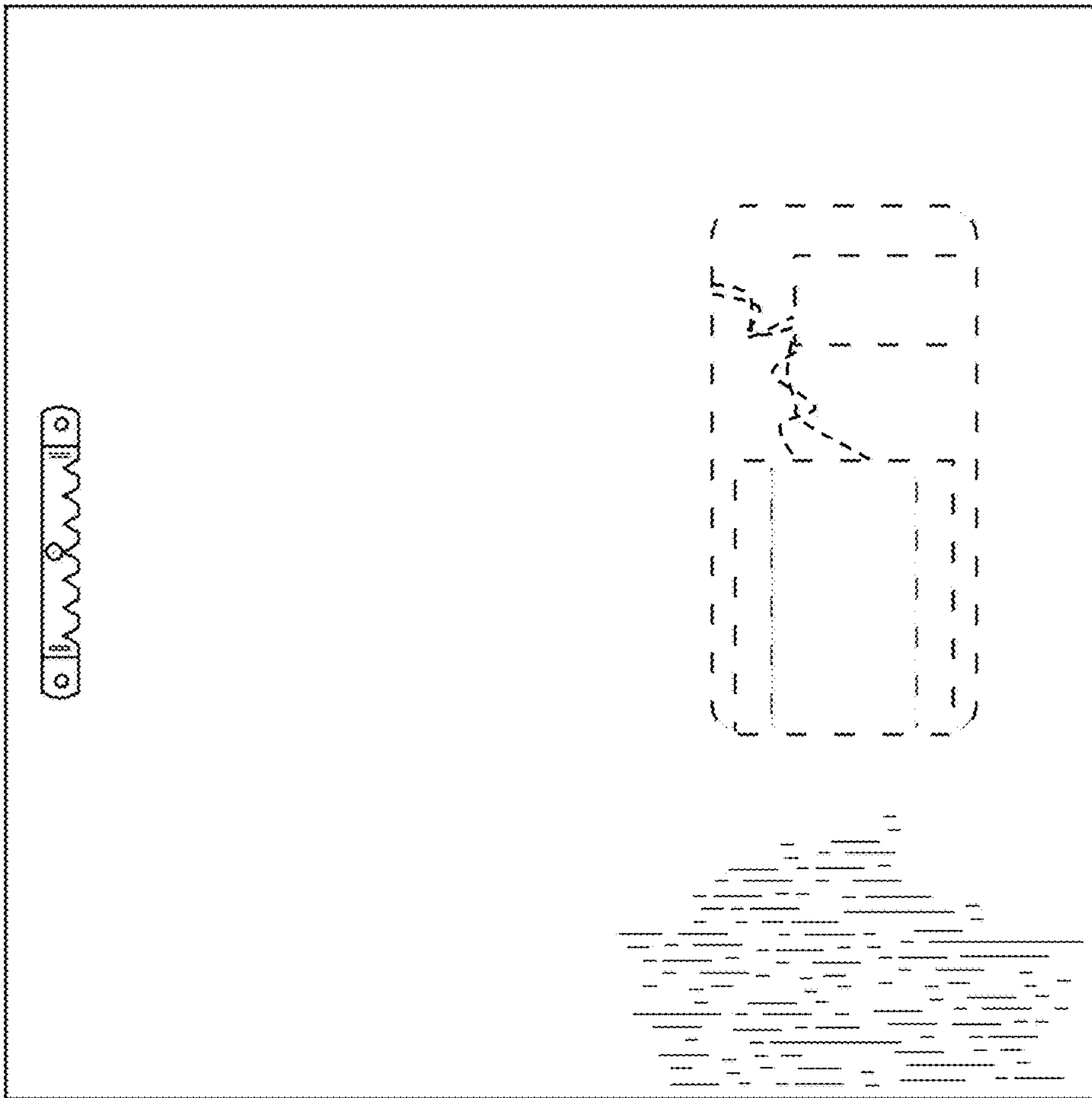


FIG. 4

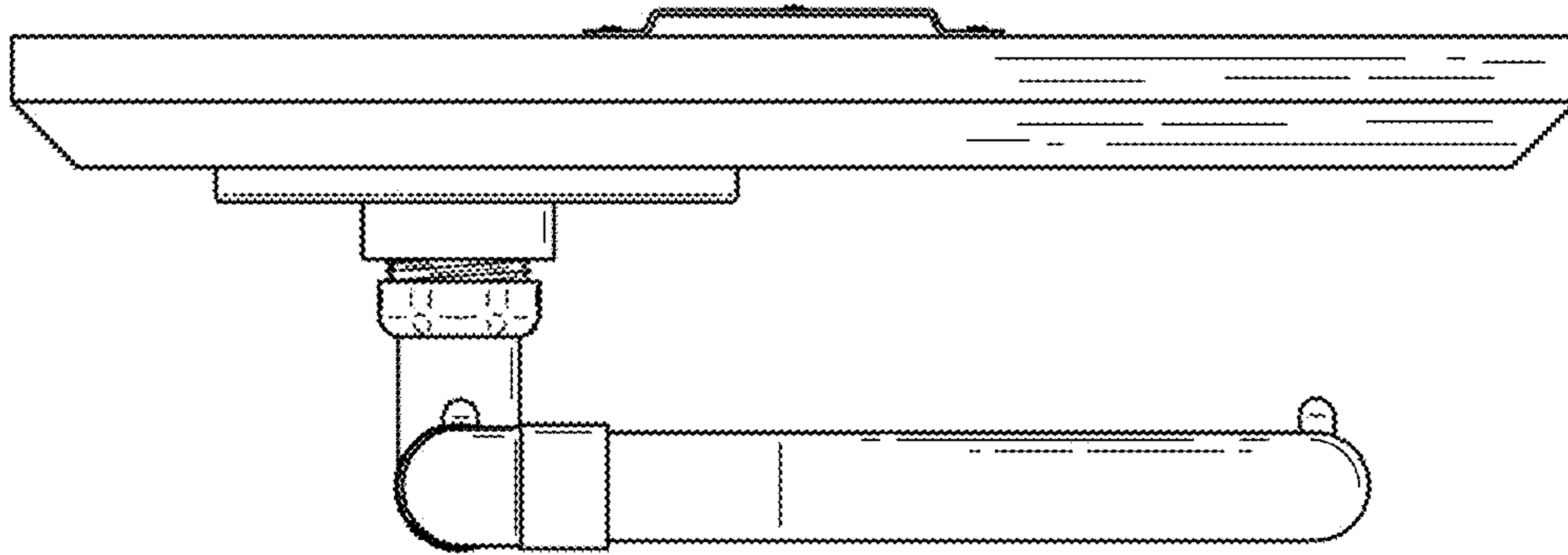


FIG. 6

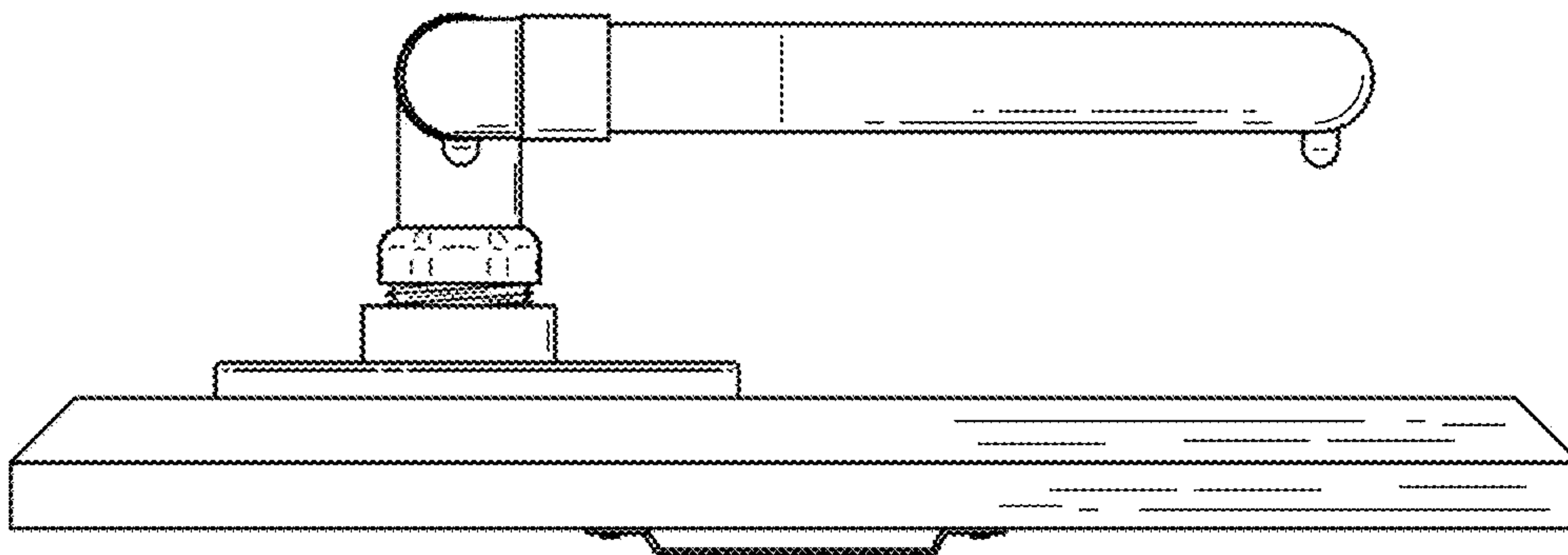


FIG. 7