



US00D823517S

(12) **United States Design Patent**  
**Ladewig**

(10) **Patent No.:** **US D823,517 S**  
(45) **Date of Patent:** **\*\* Jul. 17, 2018**

(54) **CANTILEVER MOUNTED LUMINAIRE**

- (71) Applicant: **Cooper Technologies Company**,  
Houston, TX (US)
- (72) Inventor: **Christopher Ladewig**, Fayetteville, GA  
(US)
- (73) Assignee: **Cooper Technologies Company**,  
Houston, TX (US)
- (\*\*) Term: **15 Years**
- (21) Appl. No.: **29/603,043**
- (22) Filed: **May 5, 2017**
- (51) **LOC (11) Cl.** ..... **26-05**
- (52) **U.S. Cl.**  
USPC ..... **D26/71**
- (58) **Field of Classification Search**  
USPC ..... D10/111-115; D26/67-85, 92; D29/103  
CPC .. F21S 8/033; F21S 8/036; F21S 8/043; F21S  
8/081; F21S 8/085; F21S 8/086; F21S  
8/088; F21V 29/74; F21V 29/75; F21V  
29/83; F21V 29/507  
See application file for complete search history.

(56) **References Cited**

**U.S. PATENT DOCUMENTS**

D236,909 S	*	9/1975	Richilano	.....	D26/68
D468,478 S		1/2003	Landefeld et al.		
D470,965 S	*	2/2003	Landefeld	.....	D26/63
D482,481 S	*	11/2003	Landefeld	.....	D26/61
D496,120 S	*	9/2004	Cooper	.....	D26/71
D499,503 S		12/2004	Hon et al.		
D573,743 S	*	7/2008	Yan	.....	D26/71
D577,847 S	*	9/2008	Ruud	.....	D26/71
D592,343 S		5/2009	Wilcox et al.		
D599,935 S	*	9/2009	van Klinken	.....	D26/67
D626,686 S	*	11/2010	Daidone	.....	D26/145
D665,526 S	*	8/2012	Kong	.....	D26/113
8,235,550 B2	*	8/2012	Kong	.....	F21S 8/086 362/249.02
D670,018 S		10/2012	Sauvage		
D678,576 S		3/2013	Chen		

(Continued)

**OTHER PUBLICATIONS**

Flex Architectural Area Light (available online) Retrieved from the internet Feb. 26, 2018, retrieved from URL: <https://www.hubbell.com/architecturalarealighting/en/Products/Lighting-Controls/Commercial-Outdoor-Lighting/Decorative-Post-Top/Flex/p/220804>.\*

(Continued)

*Primary Examiner* — Kevin K Rudzinski

*Assistant Examiner* — Richard Kearney

(74) *Attorney, Agent, or Firm* — King & Spalding LLP

(57) **CLAIM**

The ornamental design for a cantilever mounted luminaire, as shown and described.

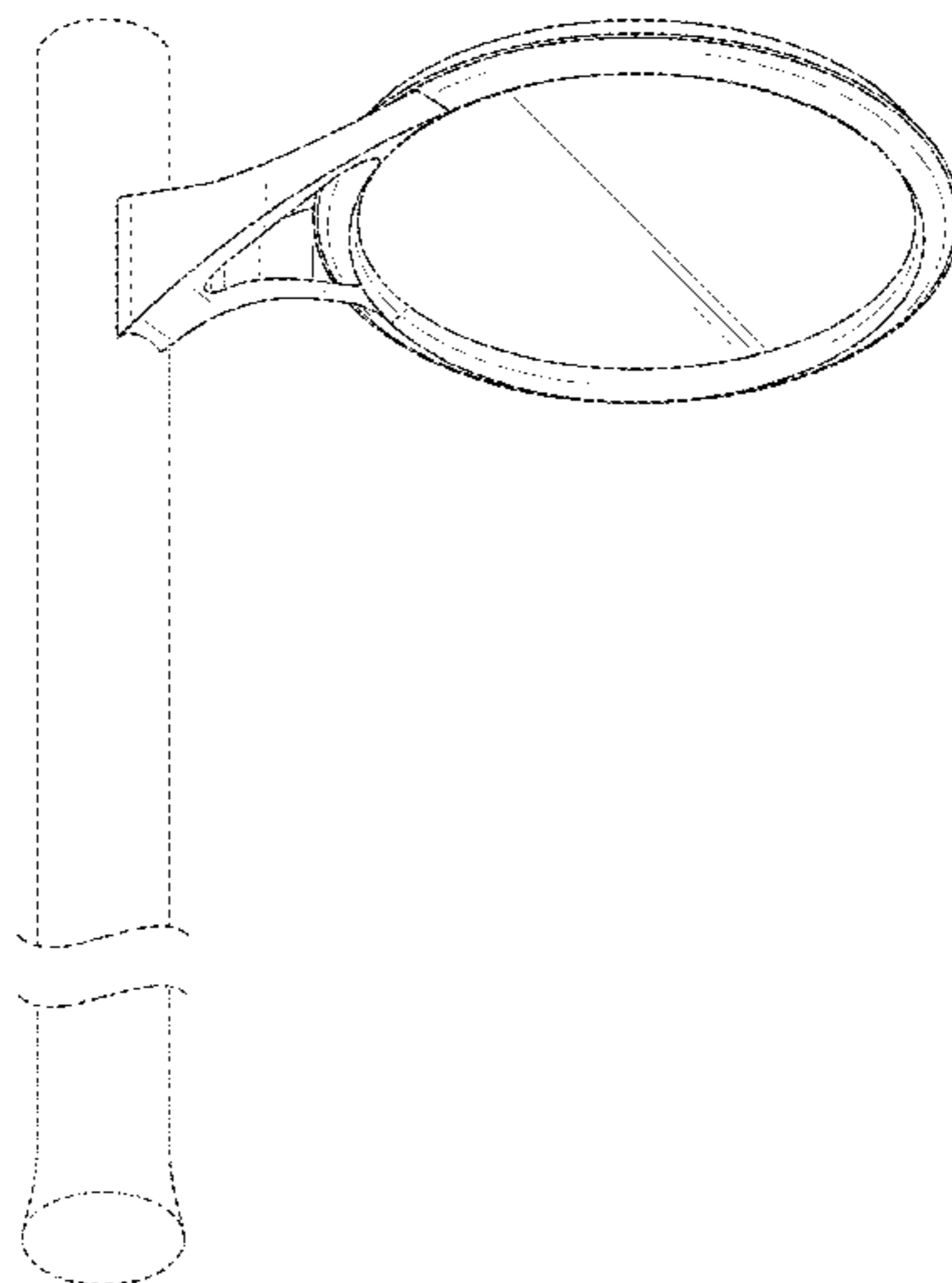
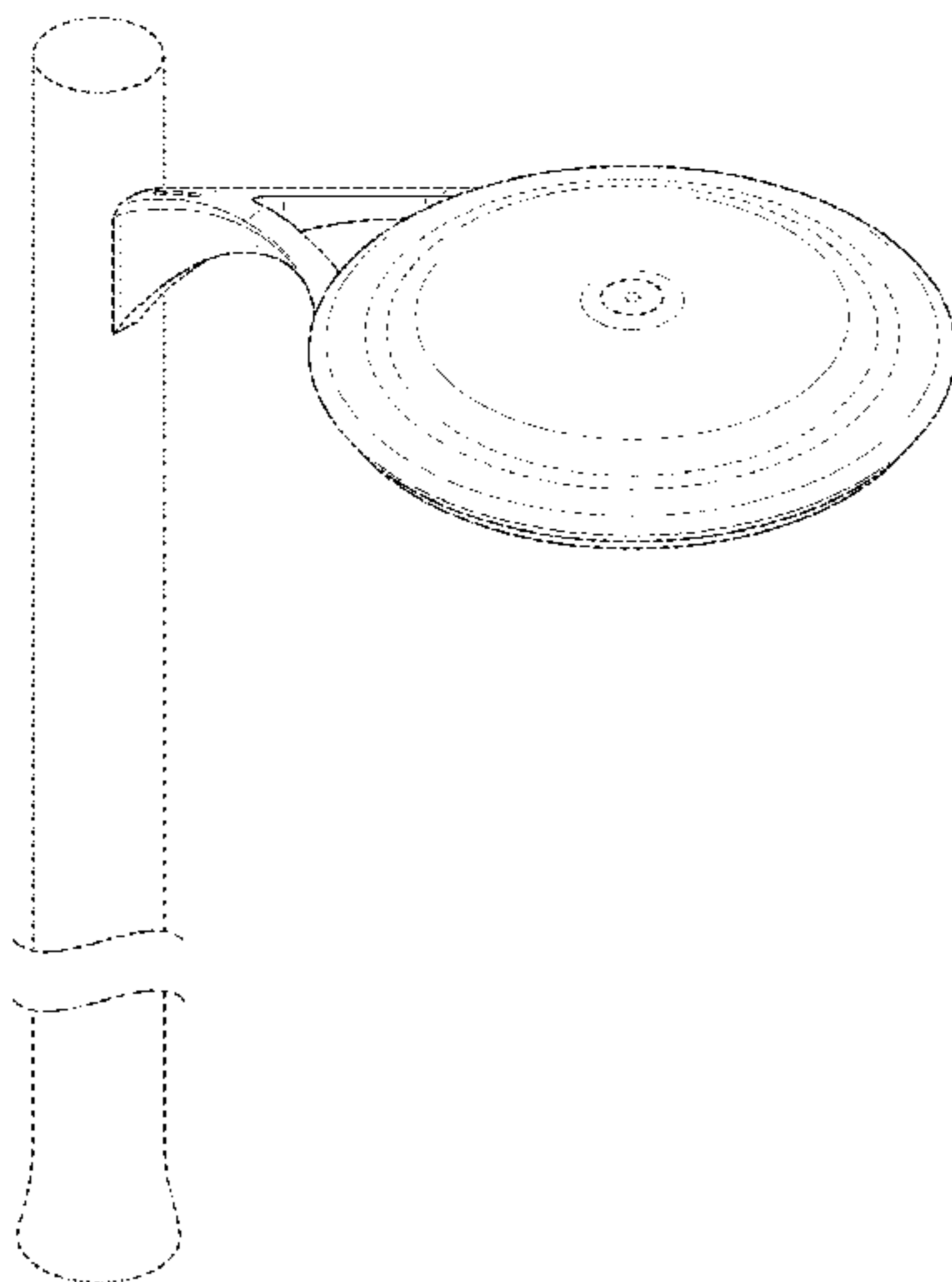
**DESCRIPTION**

FIG. 1 is a top perspective view of a cantilever mounted luminaire, showing my new design; FIG. 2 is a bottom perspective view thereof; FIG. 3 is a left side elevation view thereof; FIG. 4 is a front side elevation view thereof; FIG. 5 is a right side elevation view thereof; FIG. 6 is a back side elevation view thereof; FIG. 7 is a top plan view thereof; and, FIG. 8 is a bottom plan view thereof.

The broken lines shown in the drawings illustrate portions of the cantilever mounted luminaire that form no part of the claimed design. The post portion of the cantilever mounted luminaire is shown with dot-dash-dot break lines in its length. The break lines and the appearance of any portion of the article between the break lines forms no part of the claimed design.

The area between the dash-dot-dash lines represents unclaimed subject matter that forms no part of the claimed design.

**1 Claim, 7 Drawing Sheets**



(56)

**References Cited**

U.S. PATENT DOCUMENTS

D713,082 S 9/2014 Hermansen et al.  
D716,989 S 11/2014 Sooferian  
D741,548 S 10/2015 Ladewig  
D748,315 S 1/2016 Ladewig  
2004/0095773 A1\* 5/2004 Gaskins ..... F21V 21/116  
362/370  
2009/0086491 A1\* 4/2009 Ruud ..... F21S 8/086  
362/294  
2014/0355259 A1\* 12/2014 Ku ..... F21S 9/037  
362/183

OTHER PUBLICATIONS

IP66 Round COB LED Garden Light (available online) Retrieved from the internet Feb. 26, 2018, retrieved from URL: [http://www.deedoptoelectronics.com/ip66-round-cob-led-garden-light\\_p29.html](http://www.deedoptoelectronics.com/ip66-round-cob-led-garden-light_p29.html).\*

TopTier Site Luminaire (available online) Retrieved from the internet Feb. 26, 2018, retrieved from URL: [http://www.cooperindustries.com/content/public/en/lighting/products/area\\_site\\_lighting/\\_892814.ssd.html](http://www.cooperindustries.com/content/public/en/lighting/products/area_site_lighting/_892814.ssd.html).\*

Cooper Lighting; Invue; MSA Mesa LED, Product specification; Feb. 26, 2013.

\* cited by examiner

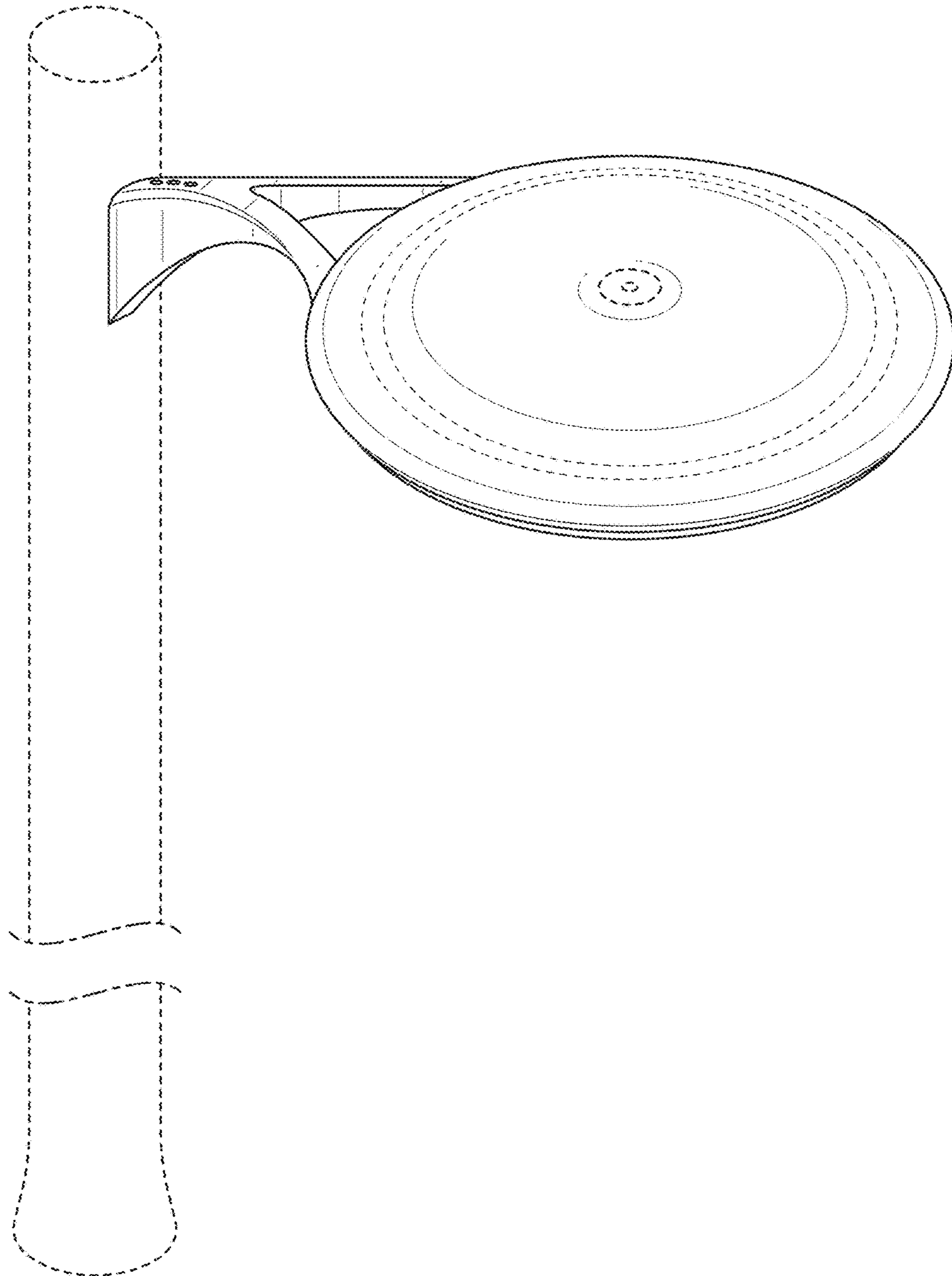


FIG. 1

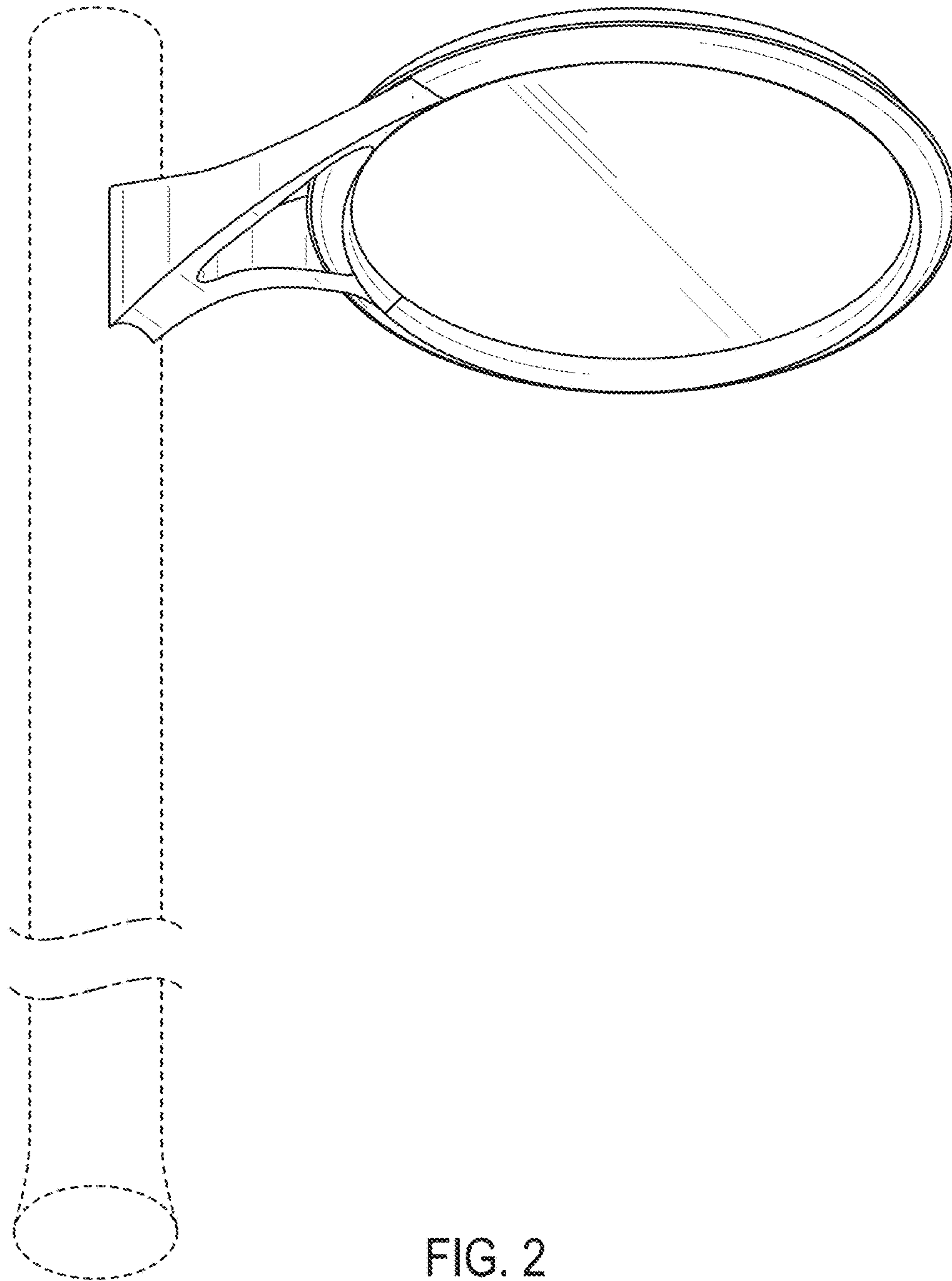


FIG. 2

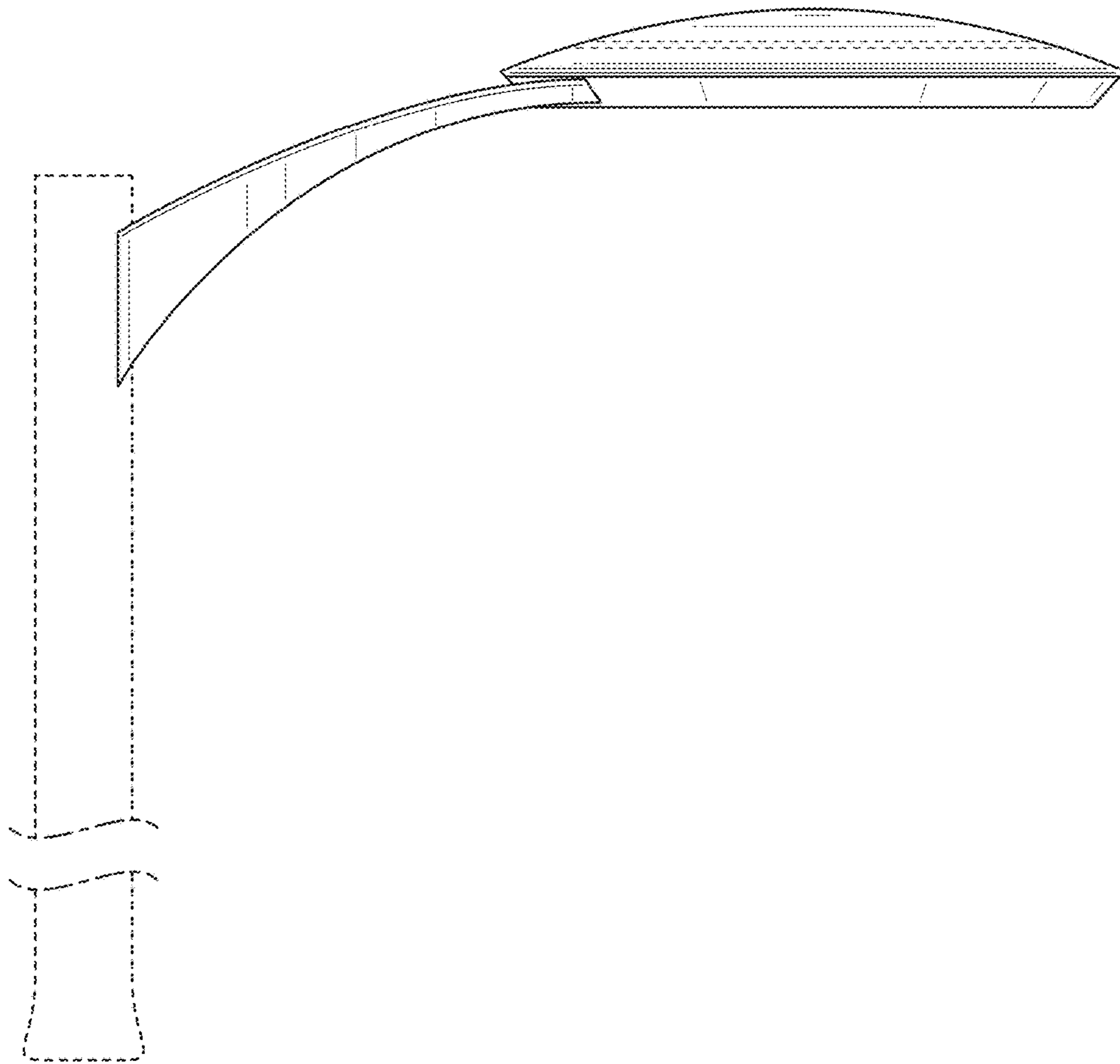


FIG. 3

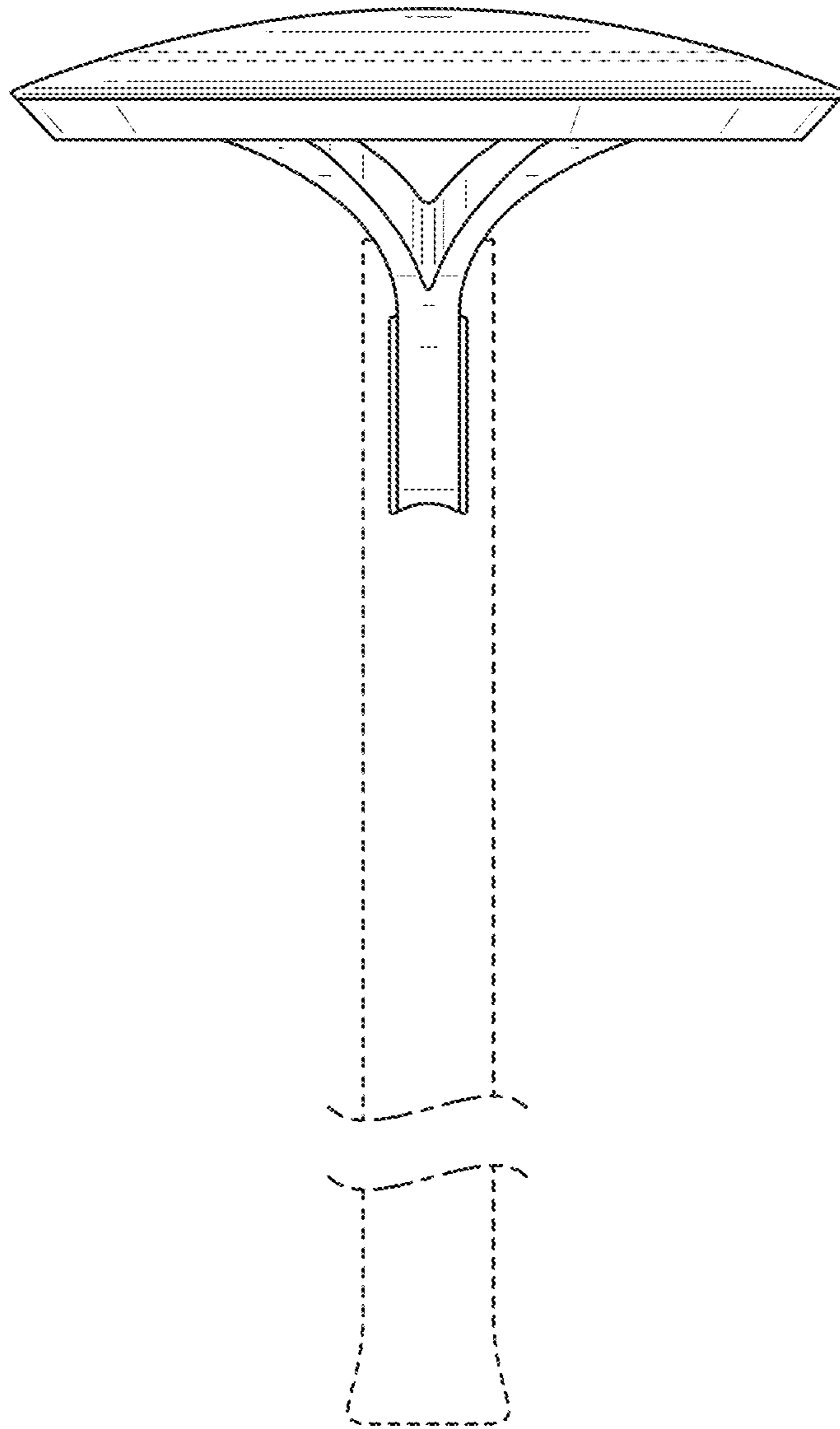


FIG. 4

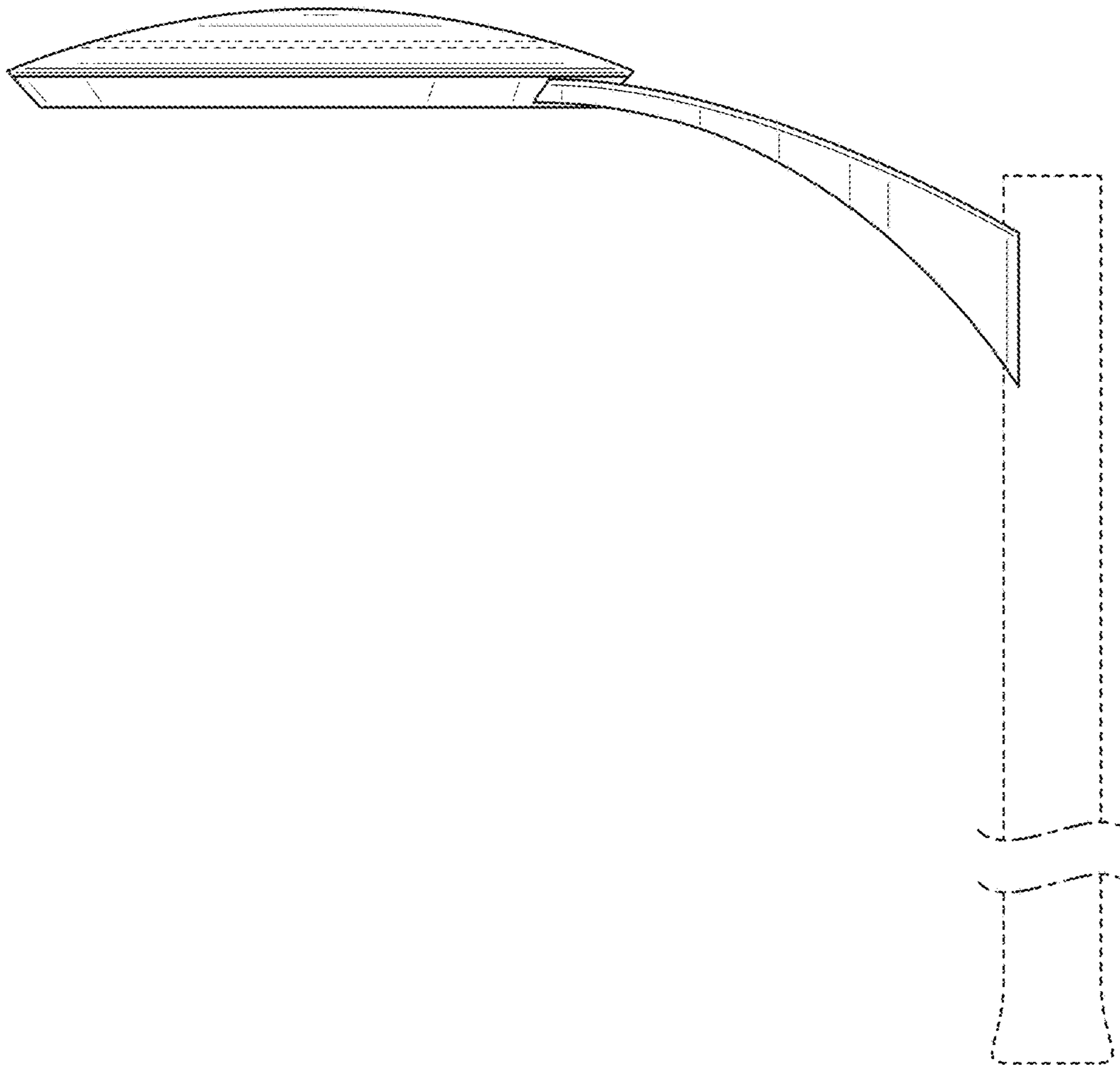


FIG. 5

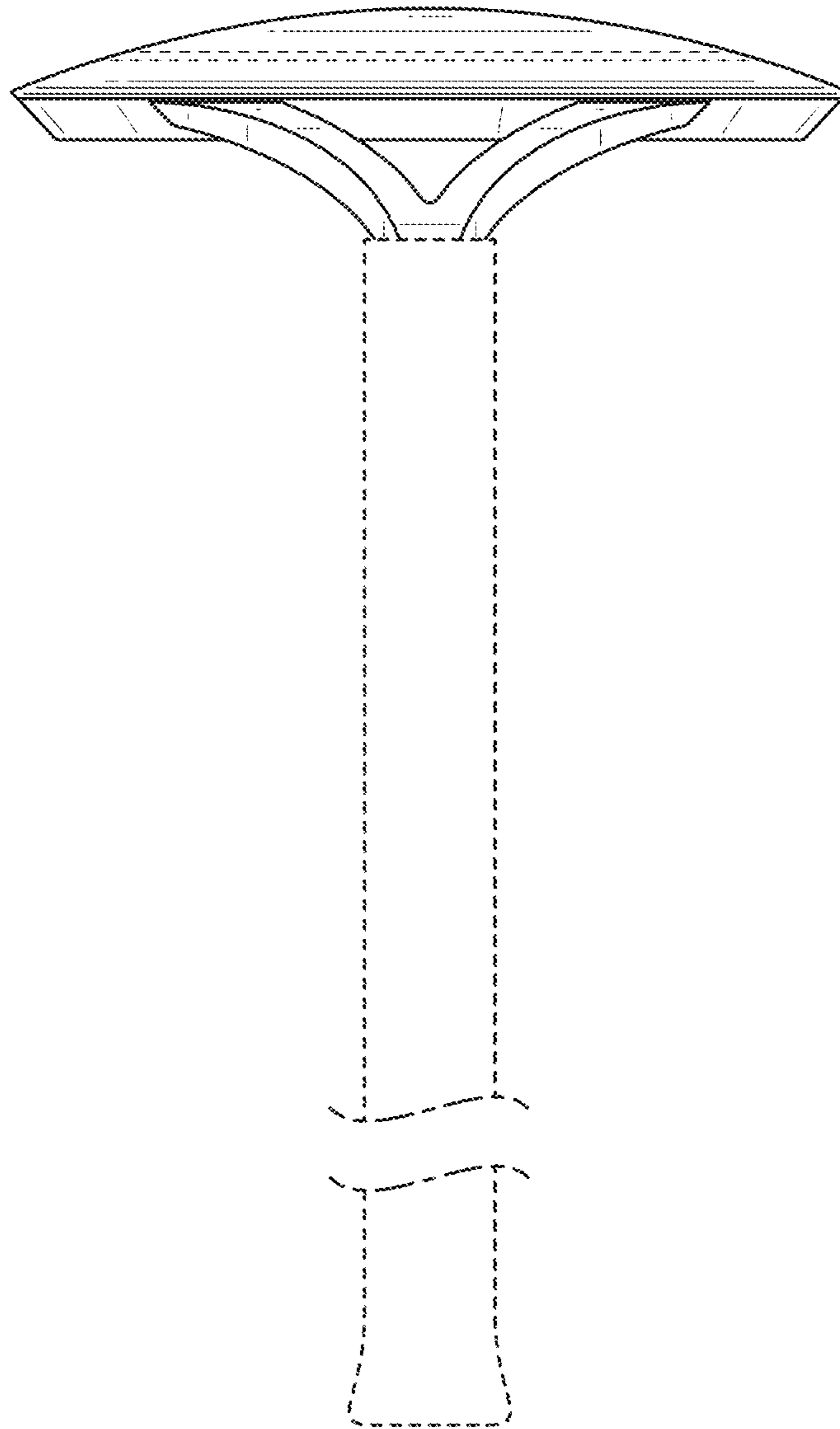


FIG. 6



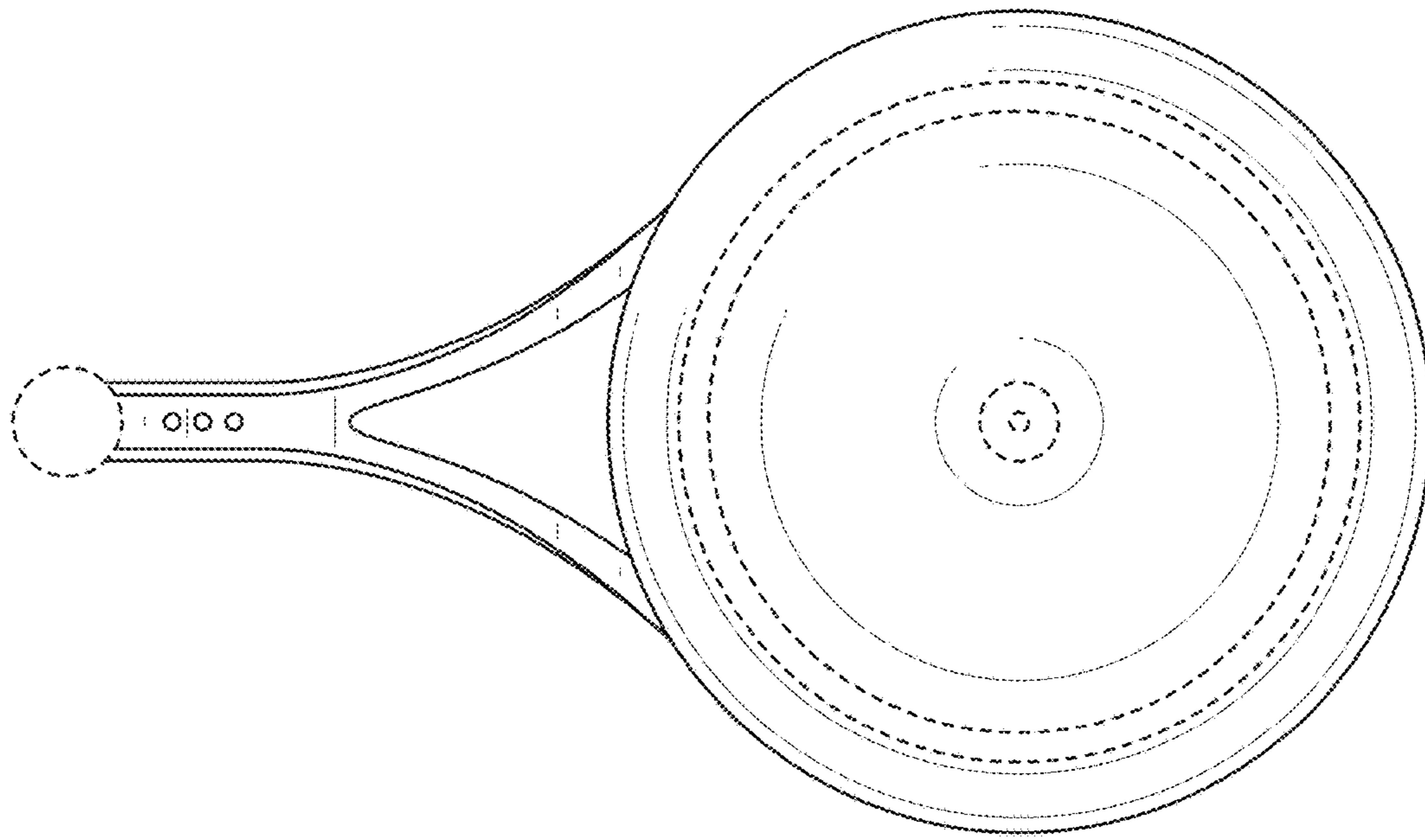


FIG. 7

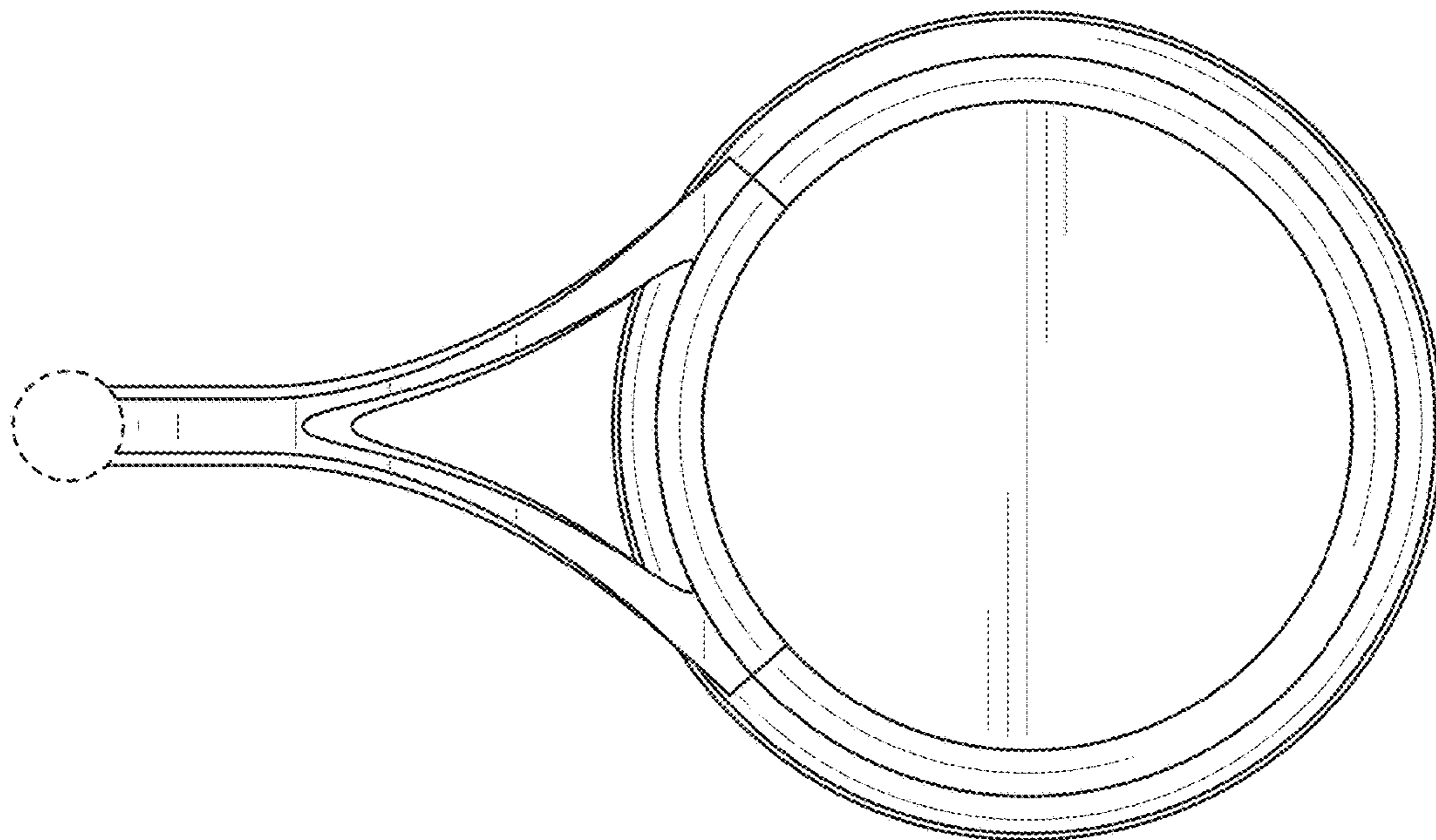


FIG. 8