



US00D823516S

(12) **United States Design Patent**
Xiao

(10) **Patent No.:** **US D823,516 S**

(45) **Date of Patent:** **** Jul. 17, 2018**

(54) **FOLDABLE PORTABLE SOLAR HUMAN BODY INFRARED INDUCTION WALL LAMP**

(71) Applicant: **SHENZHEN WEITELANG ELECTRONIC CO., LTD**, Shenzhen, Guangdong (CN)

(72) Inventor: **Zhifeng Xiao**, Jiangxi (CN)

(73) Assignee: **SHENZHEN WEITELANG ELECTRONIC CO., LTD**, Shenzhen, Guangdong (CN)

(**) Term: **15 Years**

(21) Appl. No.: **29/595,052**

(22) Filed: **Feb. 24, 2017**

(51) **LOC (11) Cl.** **26-03**

(52) **U.S. Cl.**
USPC **D26/65**

(58) **Field of Classification Search**
USPC D26/24, 51, 61, 63, 65, 72, 80, 118, 37, D26/93

CPC F21S 8/04; F21S 8/00; F21V 21/00; F21V 17/02; F21V 14/02; F21V 21/30; F21V 21/14; F21V 21/26; F21W 2131/10

See application file for complete search history.

(56) **References Cited**

U.S. PATENT DOCUMENTS

D535,774 S * 1/2007 Weston D26/61
D538,963 S * 3/2007 Starck D26/93
D603,986 S * 11/2009 Kuo D26/44

D607,915 S * 1/2010 Fong D26/118
D630,355 S * 1/2011 Gulker D26/37
D641,917 S * 7/2011 Toratani D26/93
D710,527 S * 8/2014 Brown D26/63
D805,673 S * 12/2017 Dai D26/63

* cited by examiner

Primary Examiner — Brian N. Vinson

(57) **CLAIM**

The ornamental design for a “foldable portable solar human body infrared induction wall lamp”, as shown and described.

DESCRIPTION

FIG. 1 is a perspective view of a foldable portable solar human body infrared induction wall lamp showing our new design;

FIG. 2 is a front view thereof;

FIG. 3 is a rear view thereof;

FIG. 4 is a left side view thereof;

FIG. 5 is a right side view thereof;

FIG. 6 is a top view thereof;

FIG. 7 is a bottom view thereof;

FIG. 8 is a perspective view viewed from another visual angle thereof;

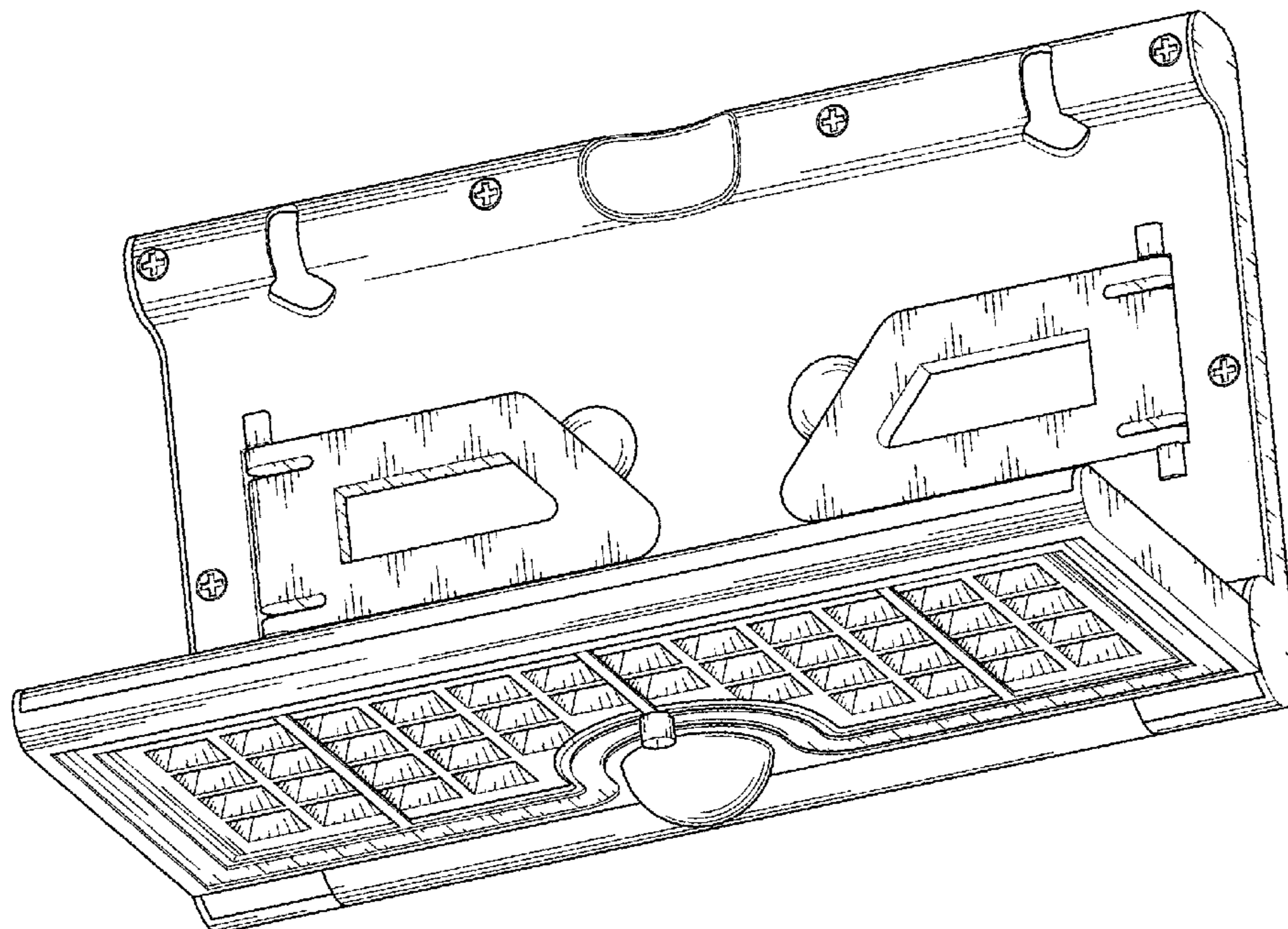
FIG. 9 is a perspective view with the folded up supports viewed from another visual angle thereof;

FIG. 10 is a perspective view of the folded up foldable portable solar human body infrared induction wall lamp viewed from another visual angle; and,

FIG. 11 is a reference view of the foldable portable solar human body infrared induction wall lamp in a use state.

The broken line showing of the environment is for illustrative purposes only and forms no part of the claimed design.

1 Claim, 11 Drawing Sheets



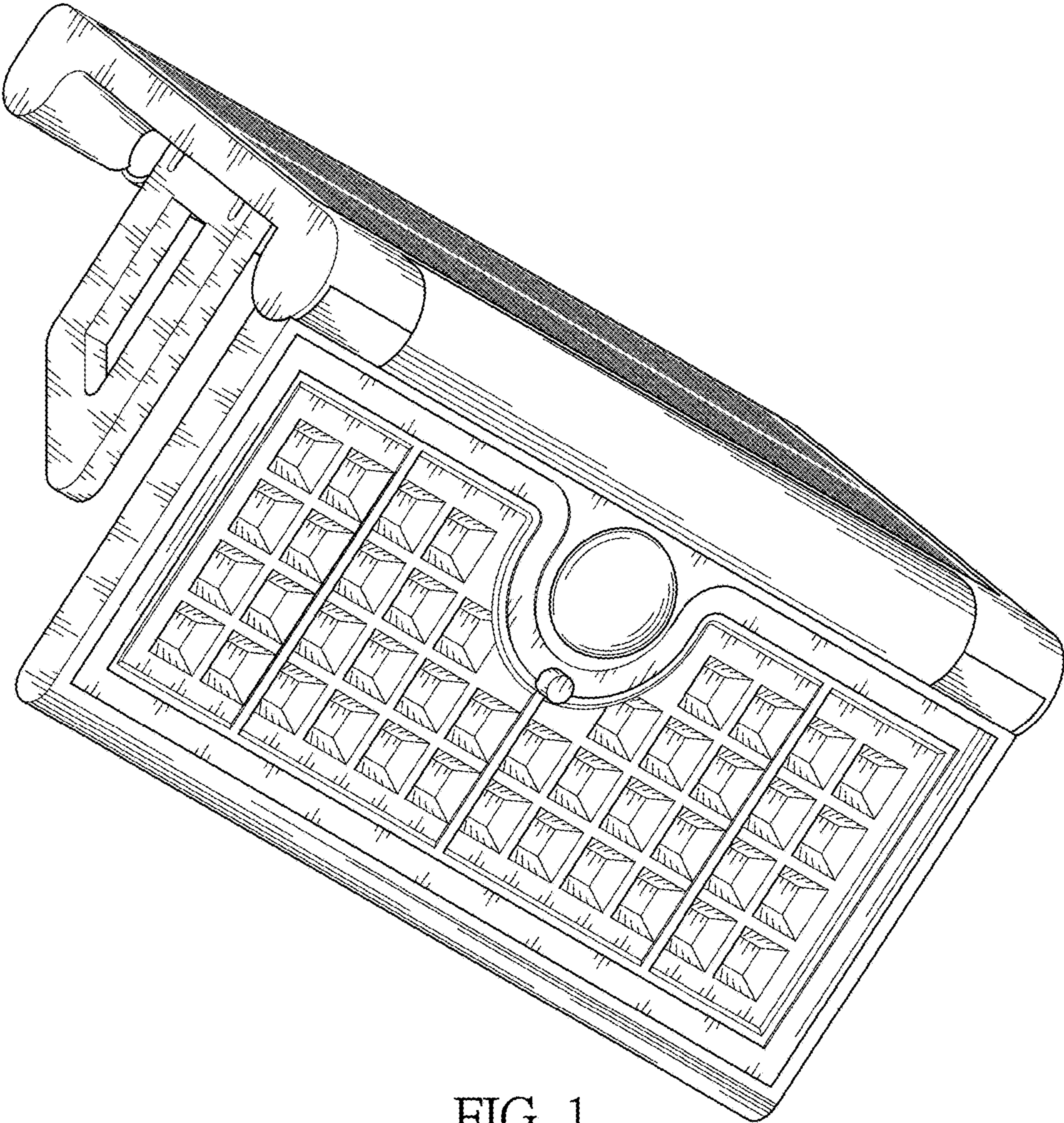


FIG. 1

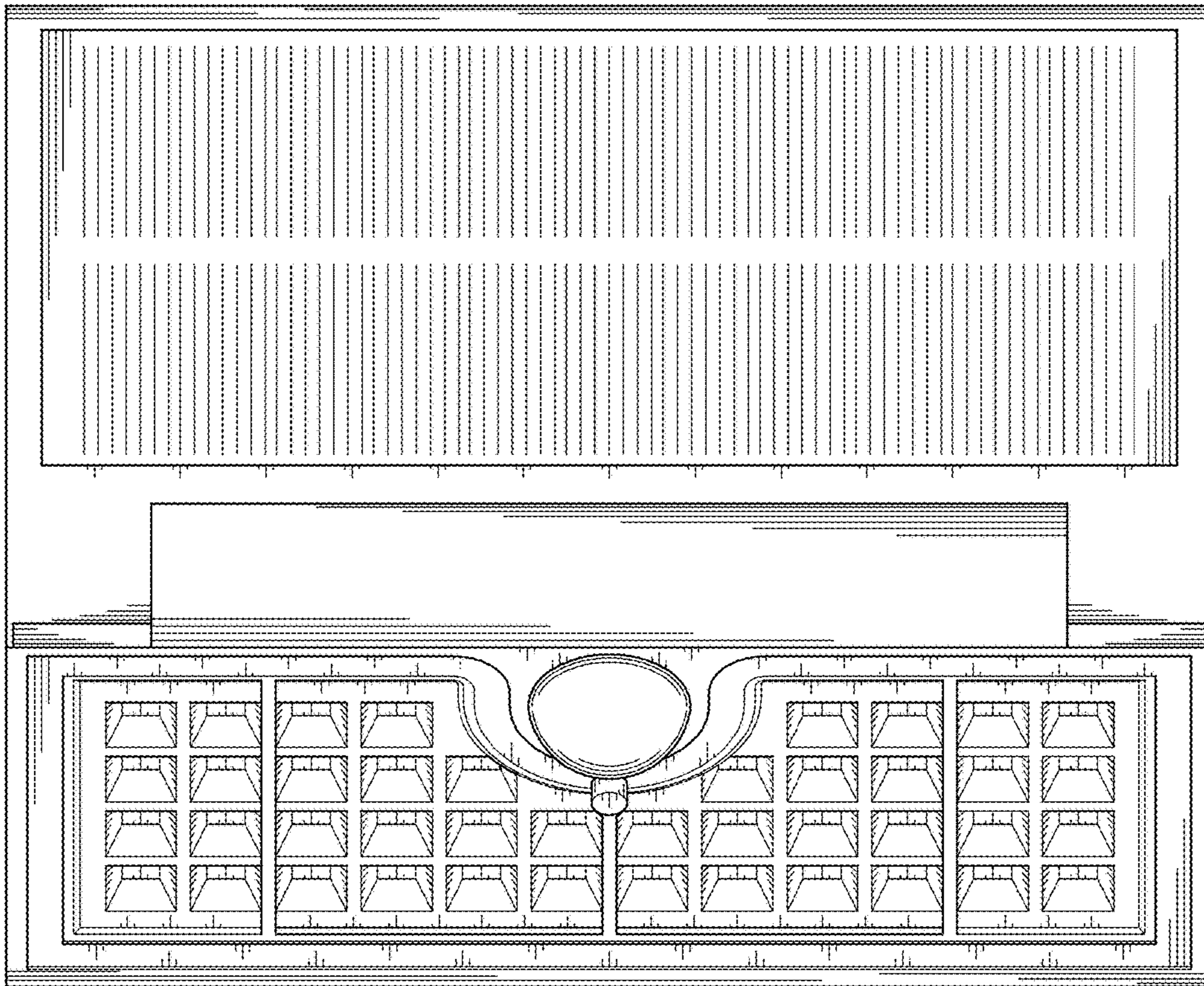


FIG. 2

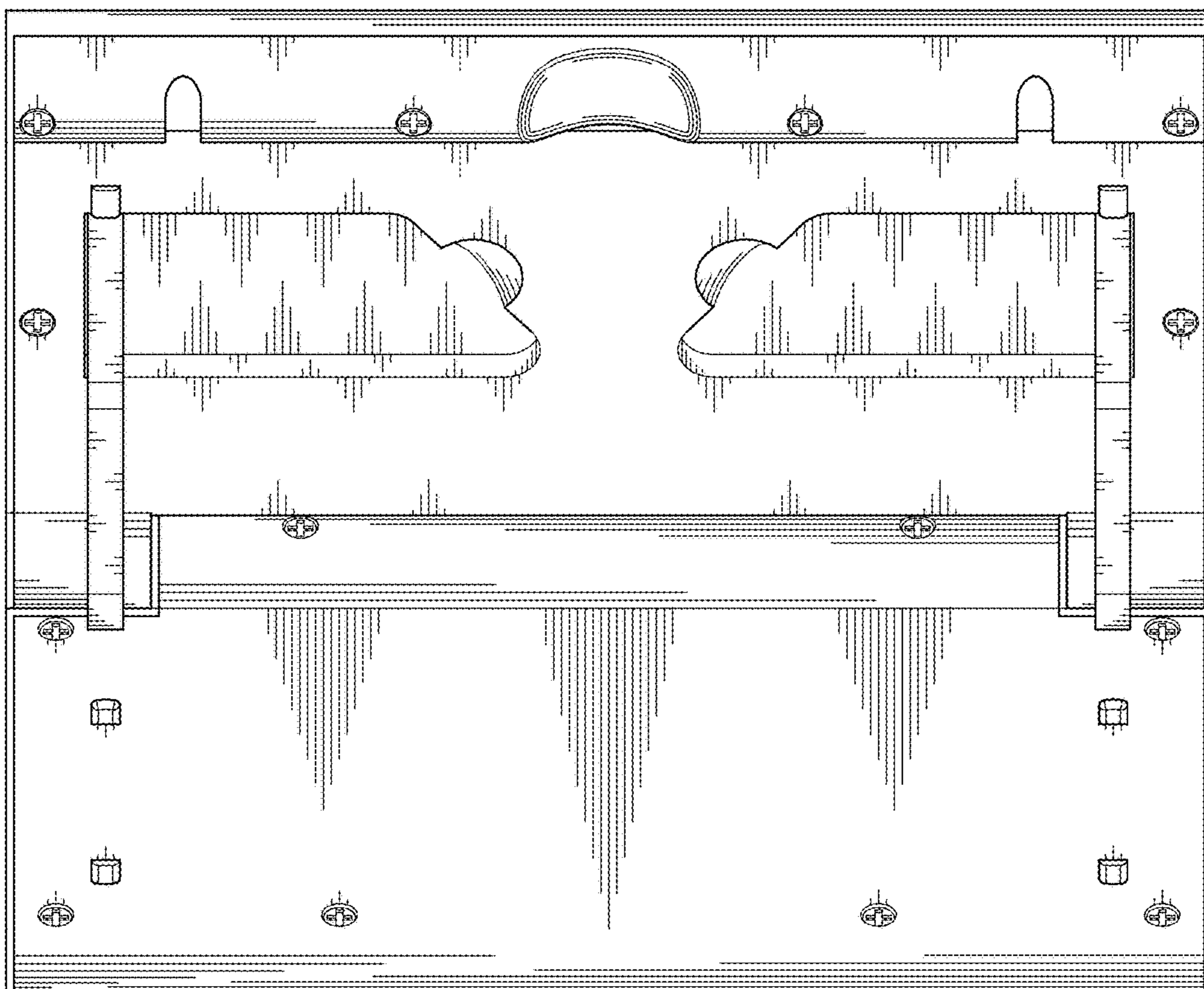


FIG. 3

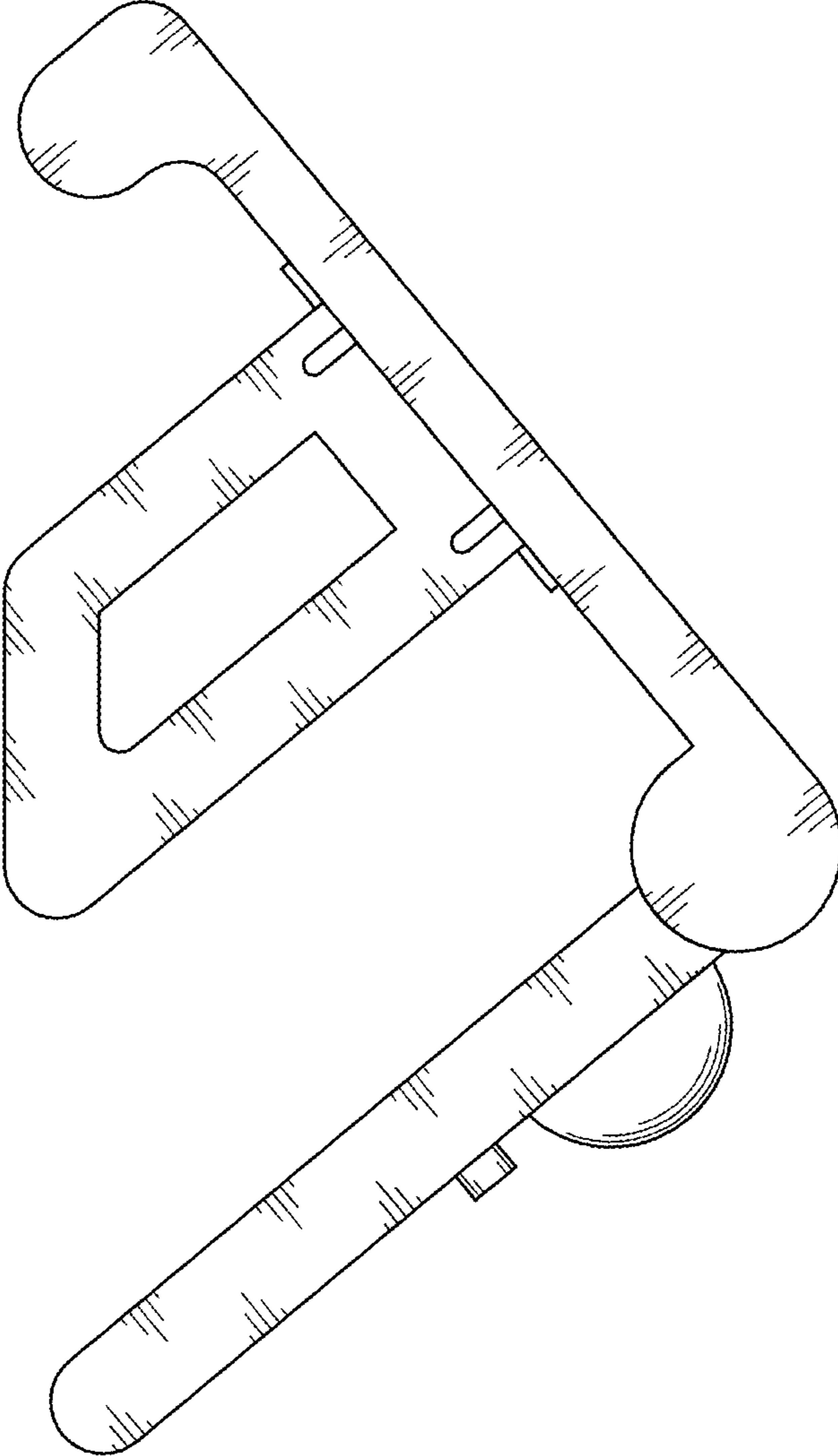


FIG. 4

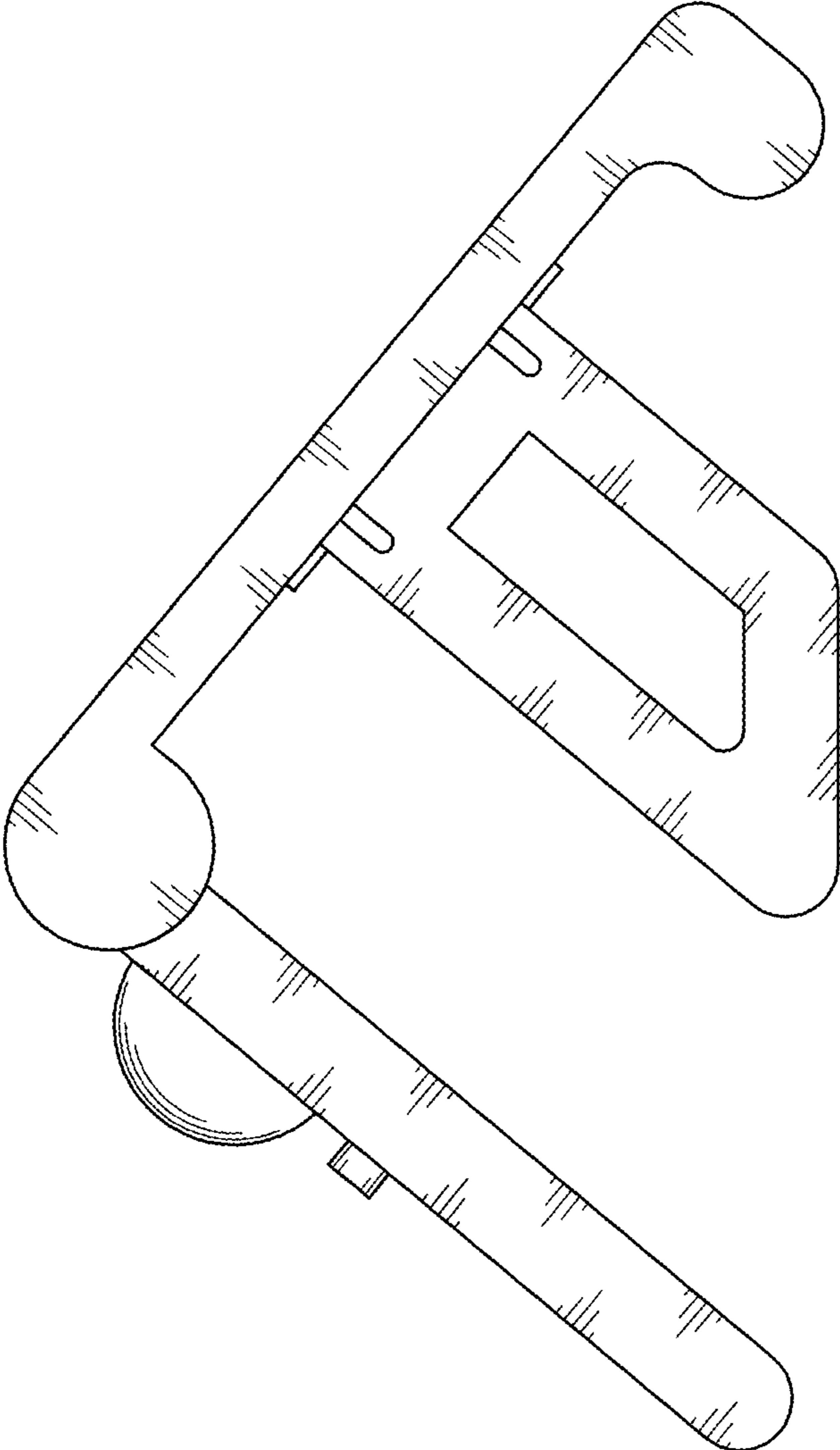


FIG. 5

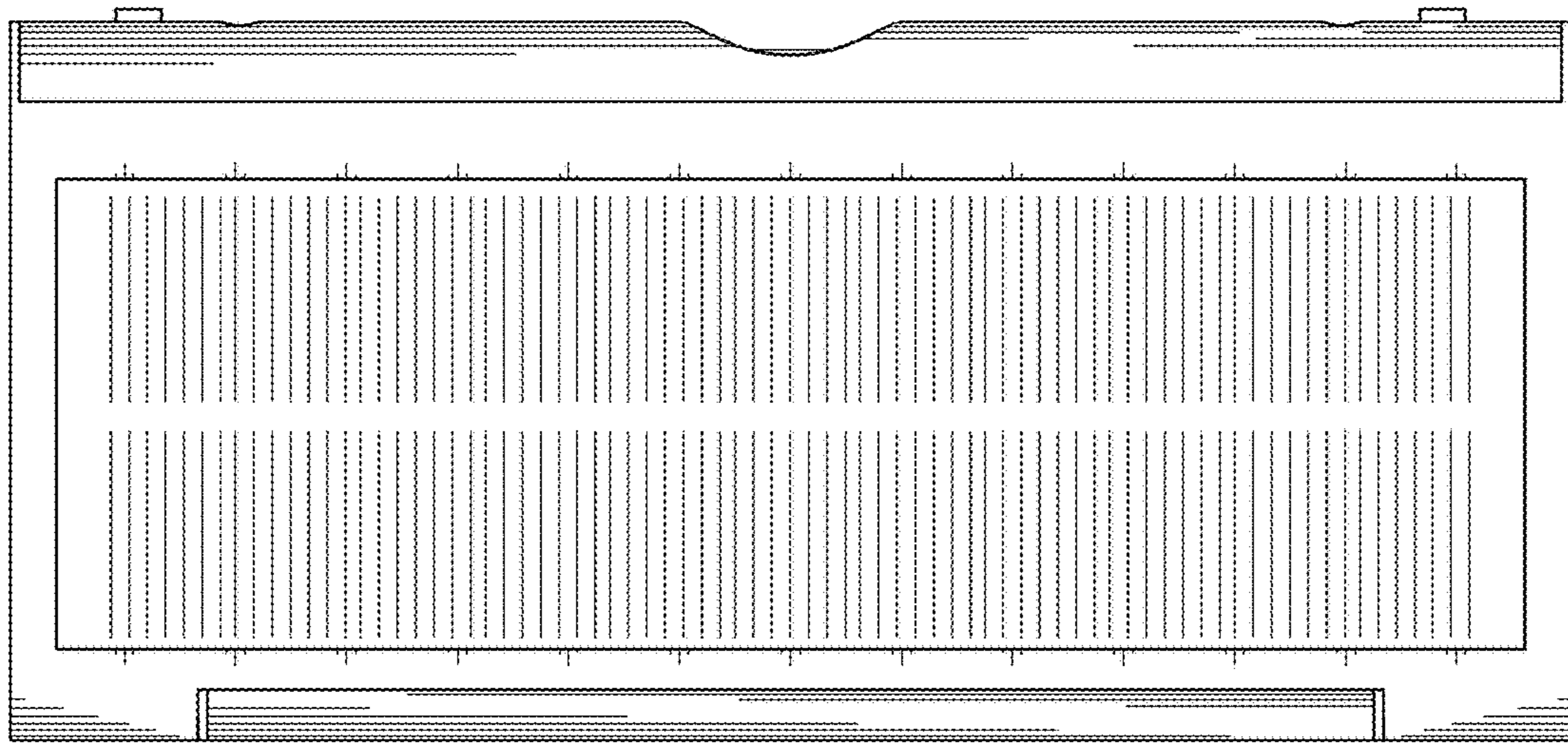


FIG. 6

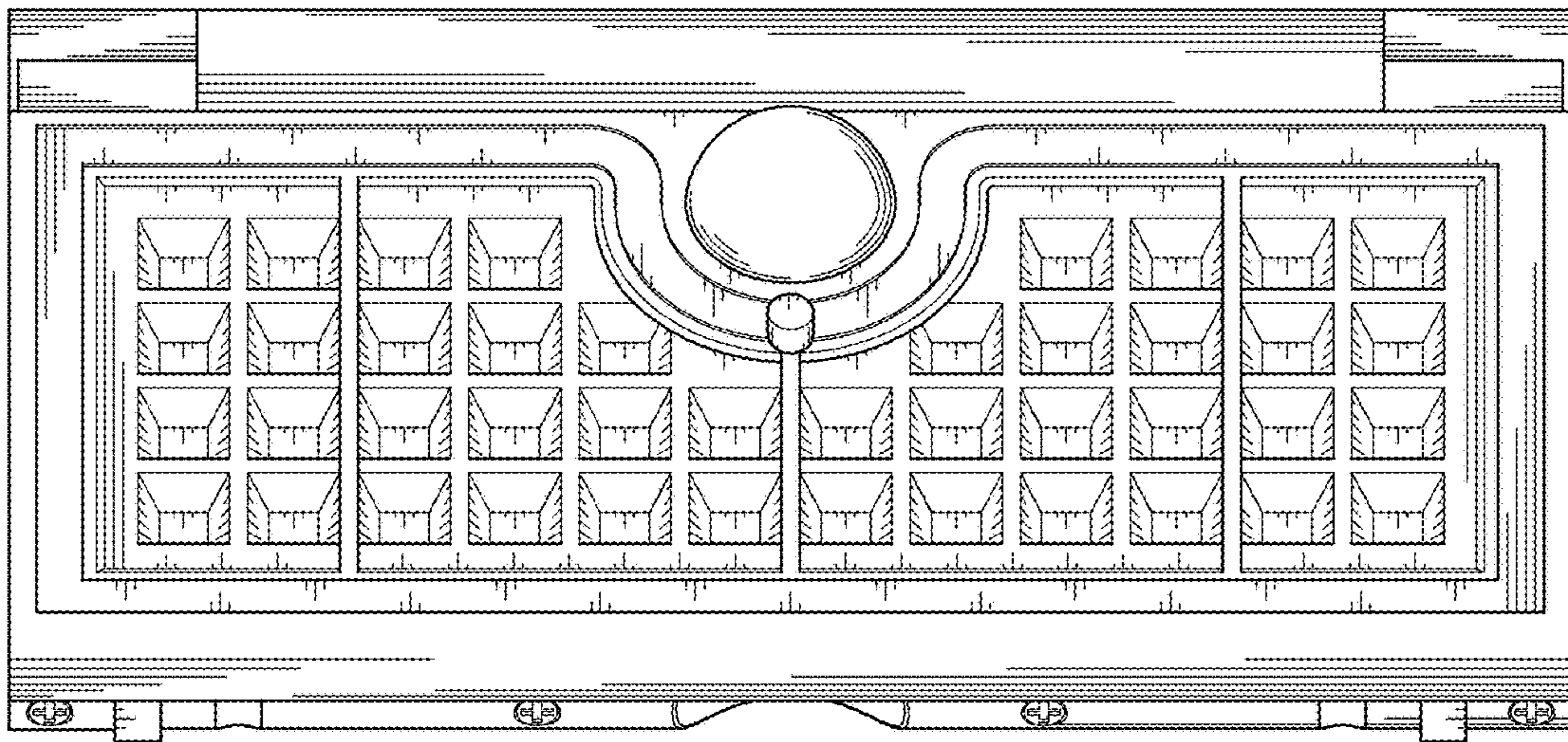


FIG. 7

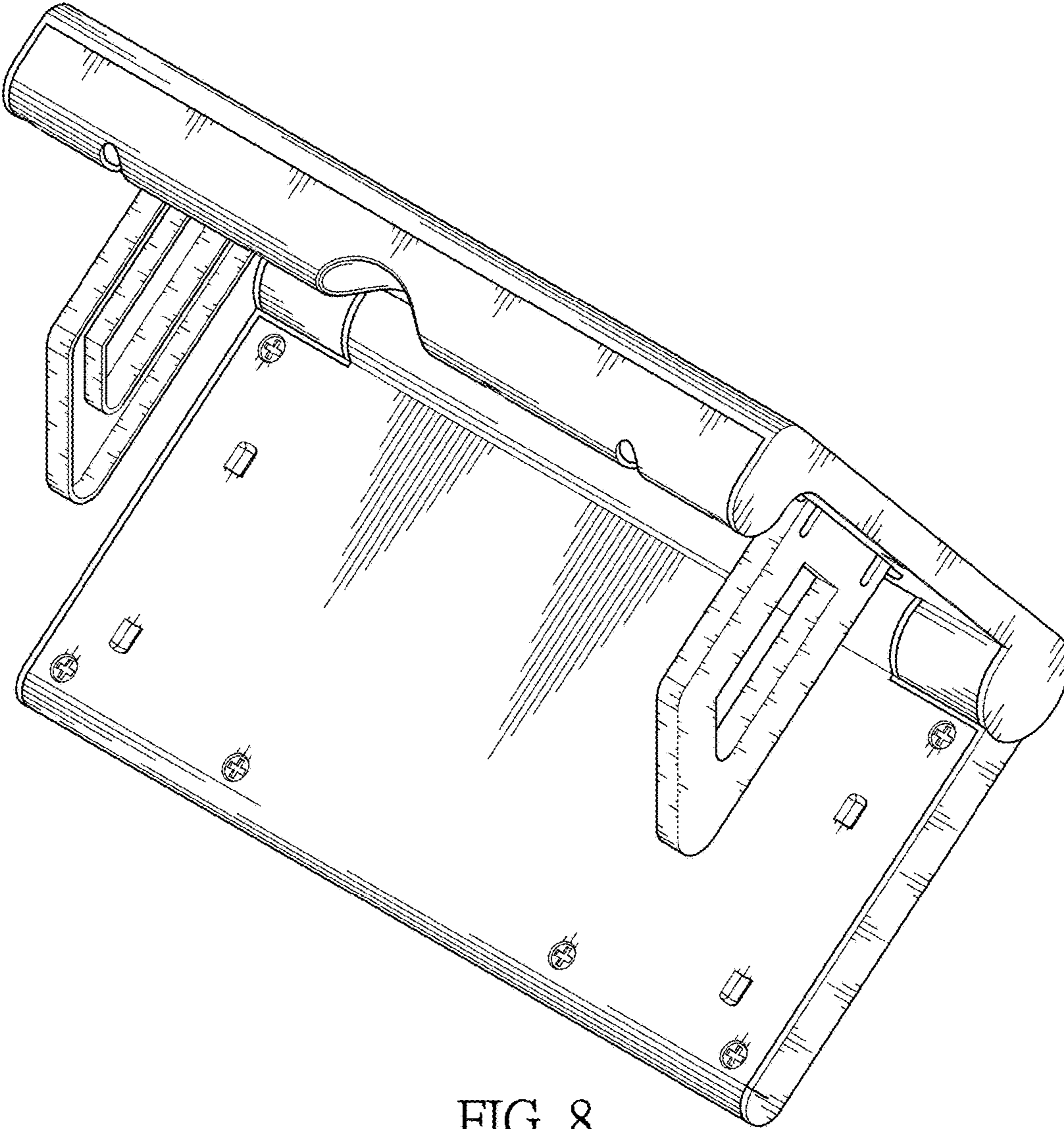


FIG. 8

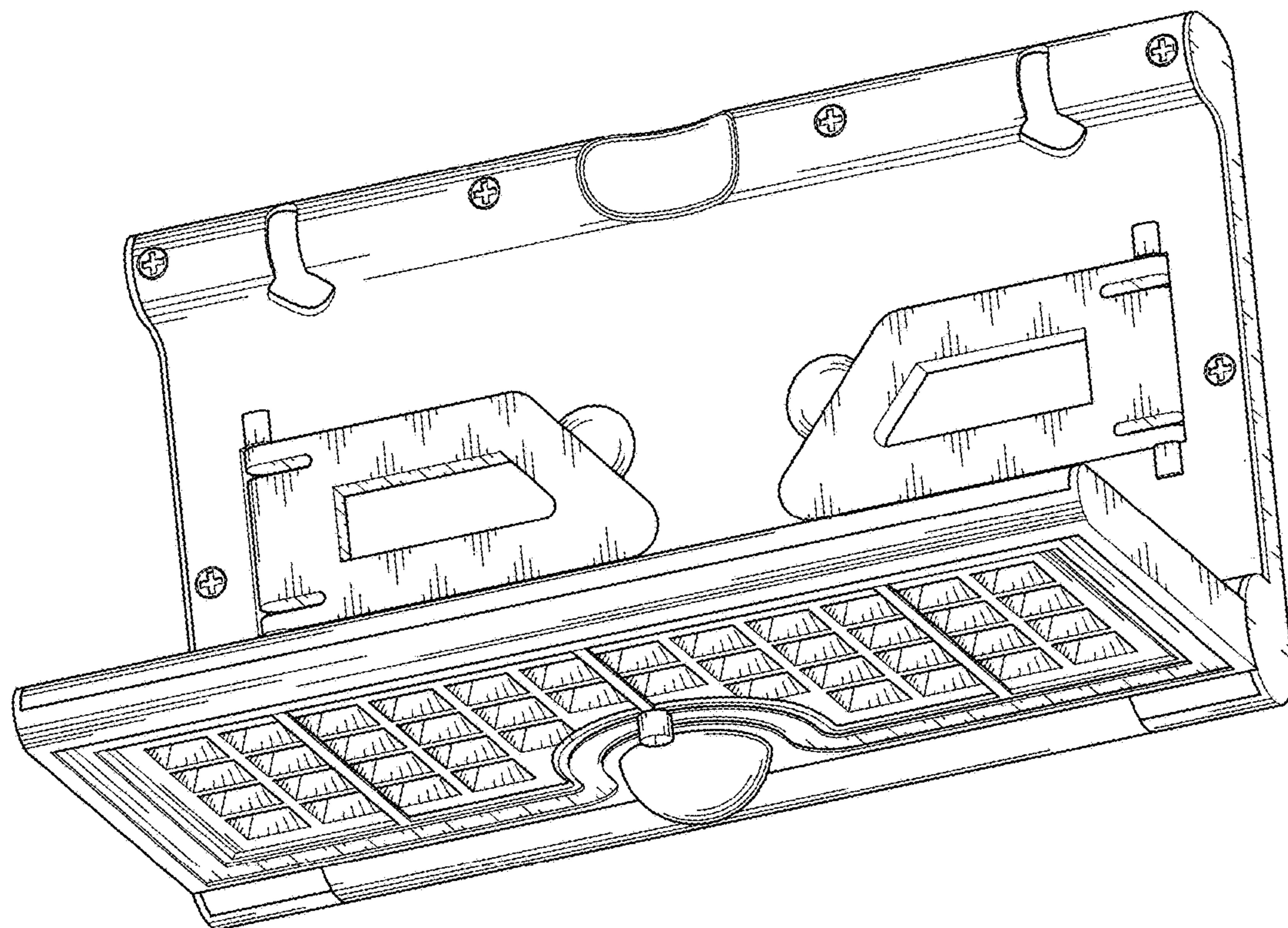


FIG. 9

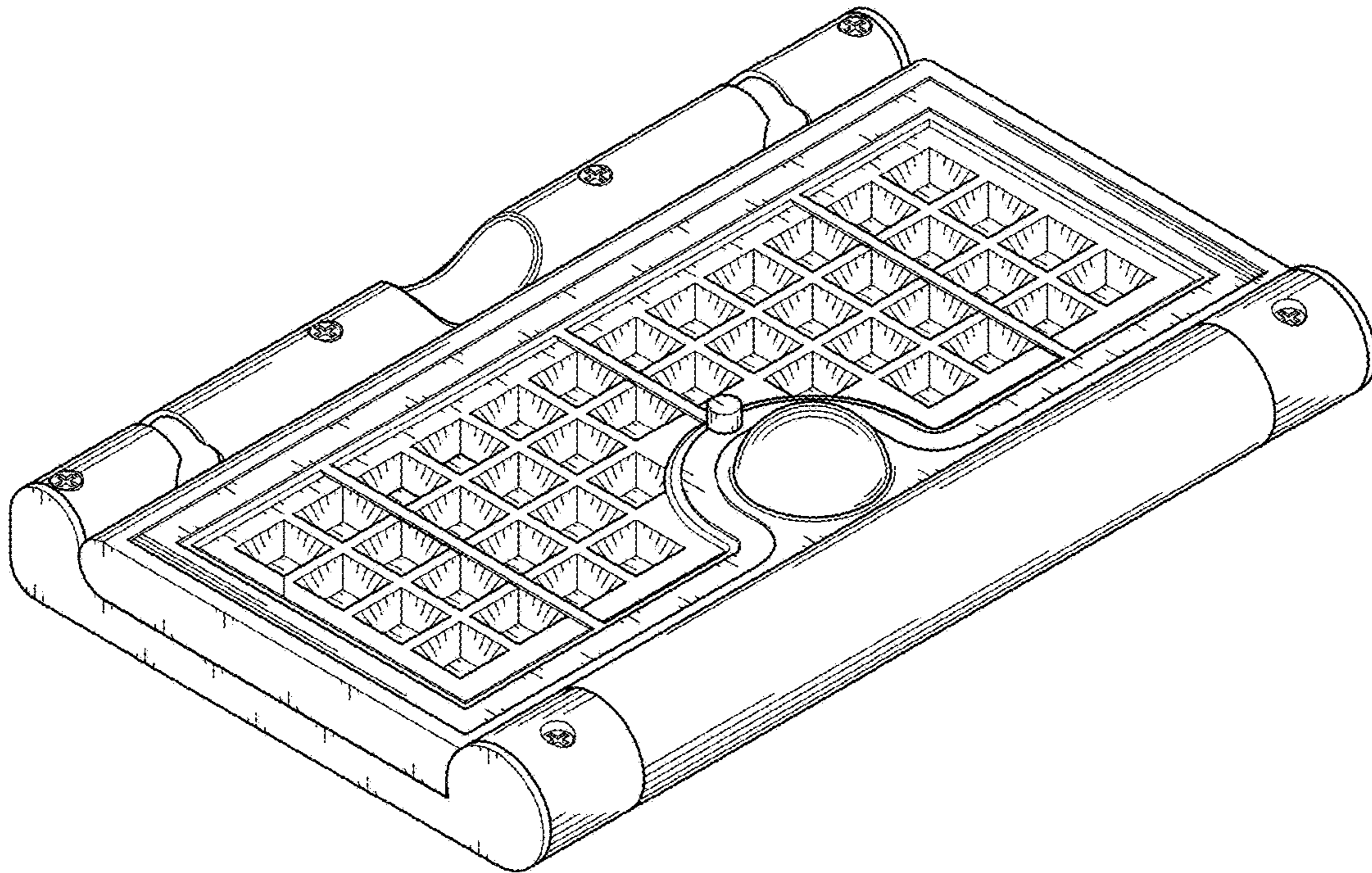


FIG. 10

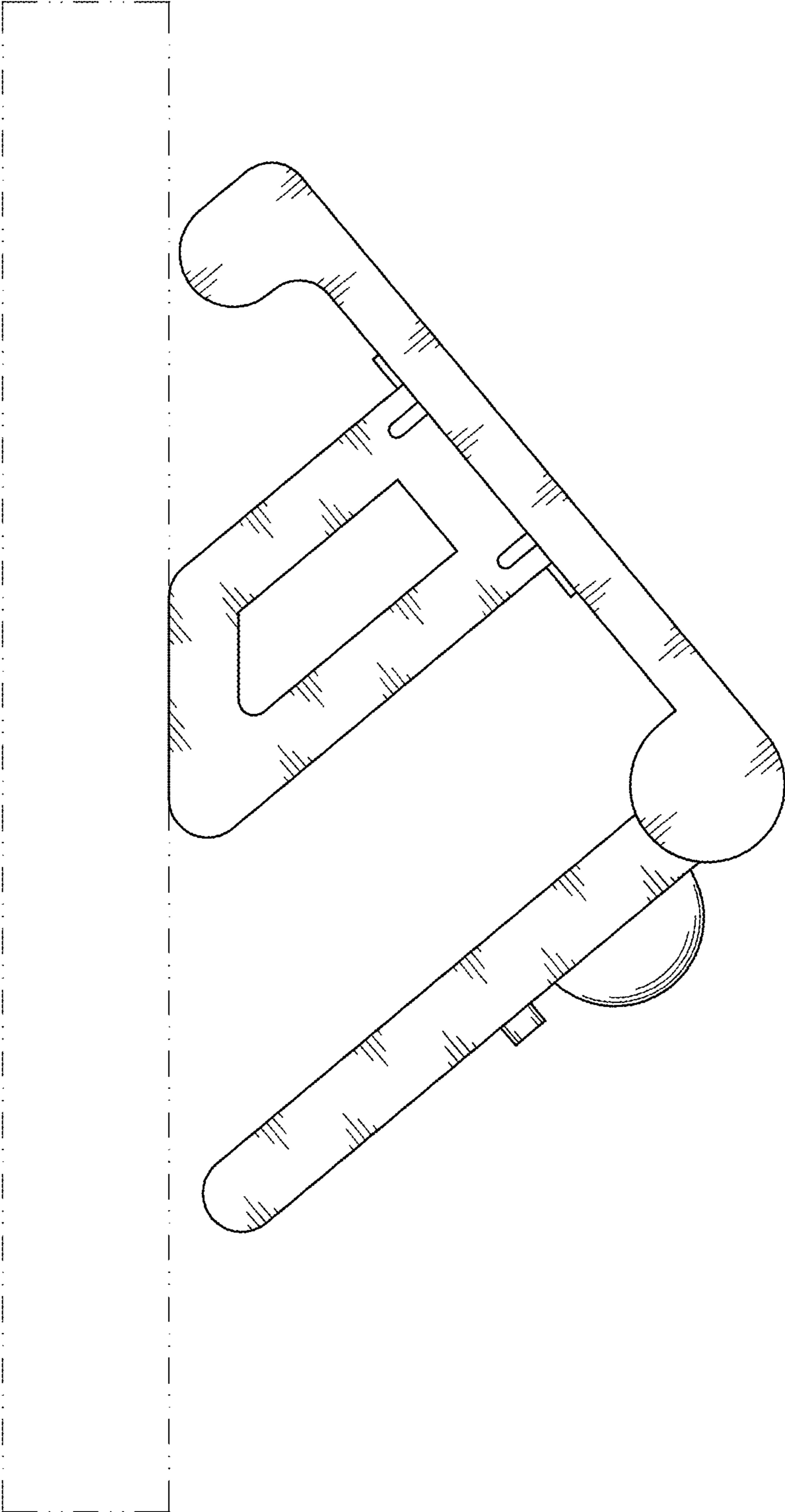


FIG. 11