



US00D823514S

(12) **United States Design Patent**  
**Timtchenko**

(10) **Patent No.:** **US D823,514 S**

(45) **Date of Patent:** **\*\* Jul. 17, 2018**

(54) **FLOODLIGHT**

(71) Applicant: **GVA LIGHTING, INC.**, Mississauga (CA)

(72) Inventor: **Dimitri Timtchenko**, Toronto (CA)

(73) Assignee: **GVA LIGHTING, INC.**, Mississauga, Ontario (CA)

(\*\*) Term: **15 Years**

(21) Appl. No.: **29/586,154**

(22) Filed: **Dec. 1, 2016**

(30) **Foreign Application Priority Data**

Oct. 21, 2016 (CA) ..... 171064

(51) **LOC (11) Cl.** ..... **26-03**

(52) **U.S. Cl.**  
USPC ..... **D26/63; D26/138**

(58) **Field of Classification Search**  
USPC .... D26/1, 24, 61, 63, 65, 37, 118, 120, 138, D26/139

CPC ..... F21V 21/14; F21V 15/01; F21V 14/02;  
F21V 21/30; F21V 21/00; F21V 14/00;  
F21S 8/00; F21S 8/003; F21S 8/043;  
F21Y 2105/001

See application file for complete search history.

(56) **References Cited**

U.S. PATENT DOCUMENTS

D244,797 S *	6/1977	Leahy .....	D26/139
D267,352 S *	12/1982	Suzuki .....	D26/118
D713,595 S *	9/2014	Lechtenberg .....	D26/118
D751,752 S *	3/2016	Dodge .....	D26/120
D773,094 S *	11/2016	Dworschak .....	D26/63

\* cited by examiner

*Primary Examiner* — Brian N. Vinson

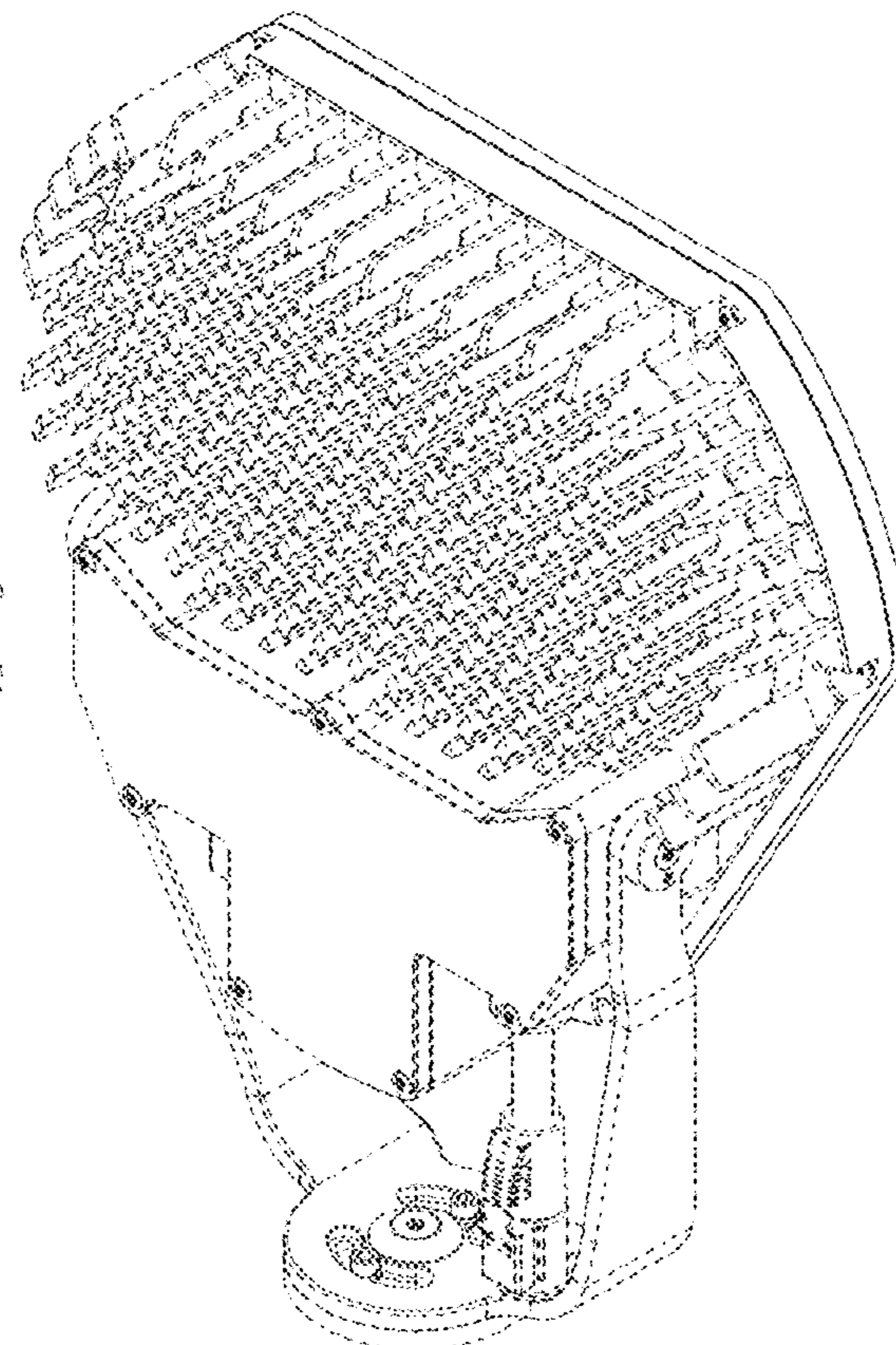
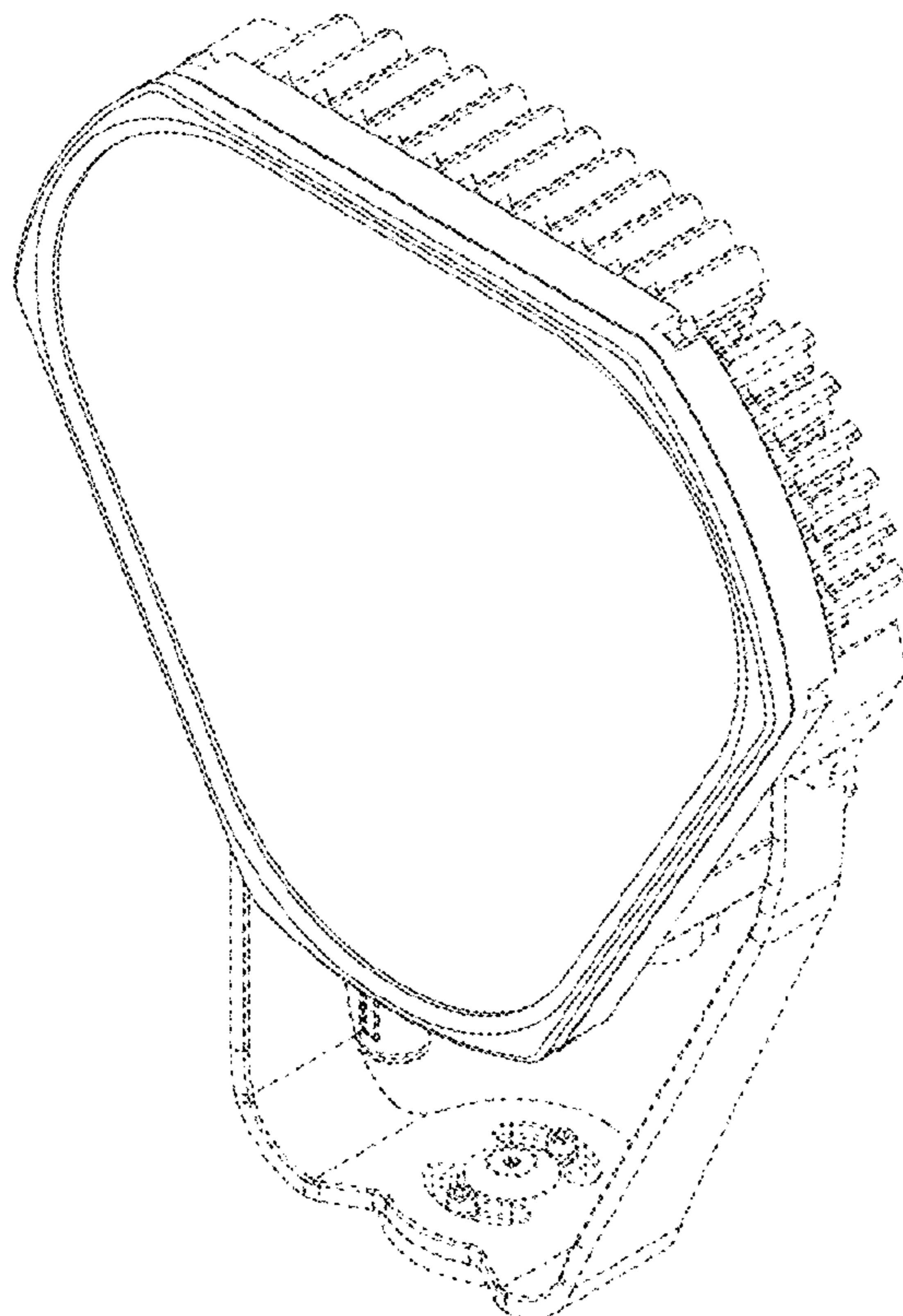
(57) **CLAIM**

I claim the ornamental design for a floodlight, as shown and described above.

**DESCRIPTION**

FIG. 1 is a front elevation view of a floodlight according to the design;  
FIG. 2 is a rear elevation view thereof;  
FIG. 3 is a side elevation view thereof;  
FIG. 4 is a top elevation view thereof;  
FIG. 5 is a bottom elevation view thereof;  
FIG. 6 is a front perspective view thereof; and,  
FIG. 7 is a rear perspective view thereof.  
The broken line disclosure represents portions of the floodlight which form no part of the claimed design.

**1 Claim, 7 Drawing Sheets**



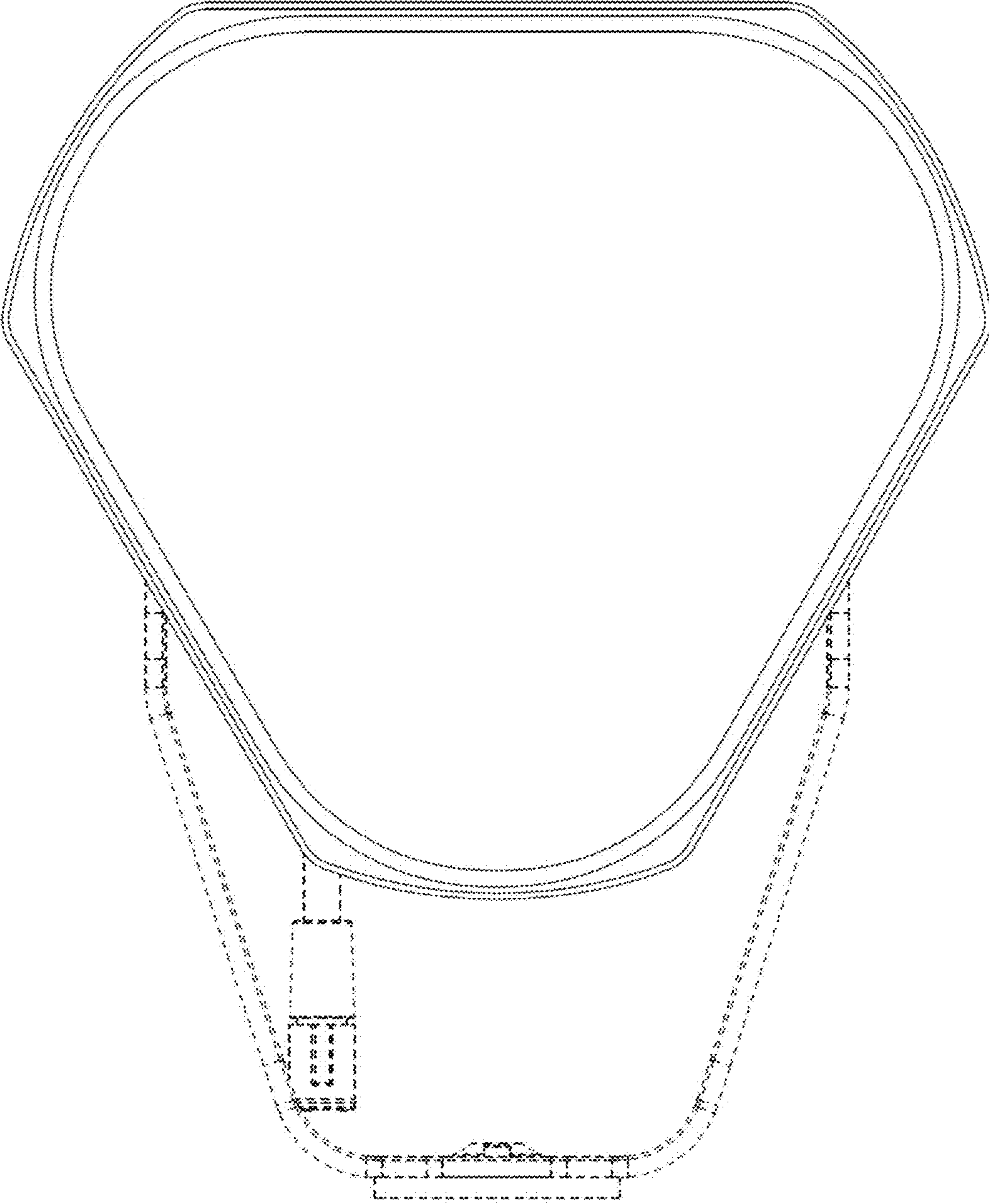


Figure 1

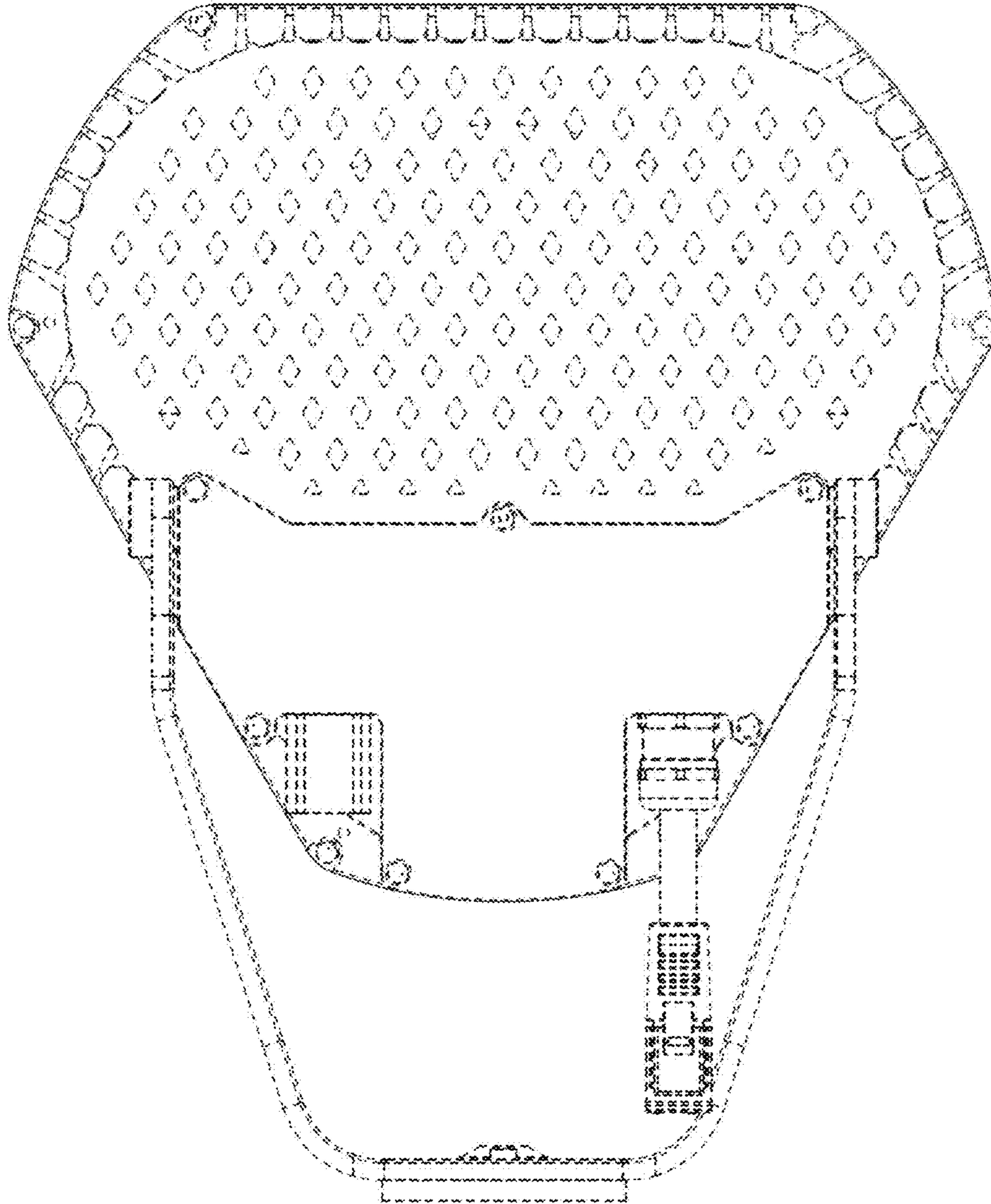


Figure 2

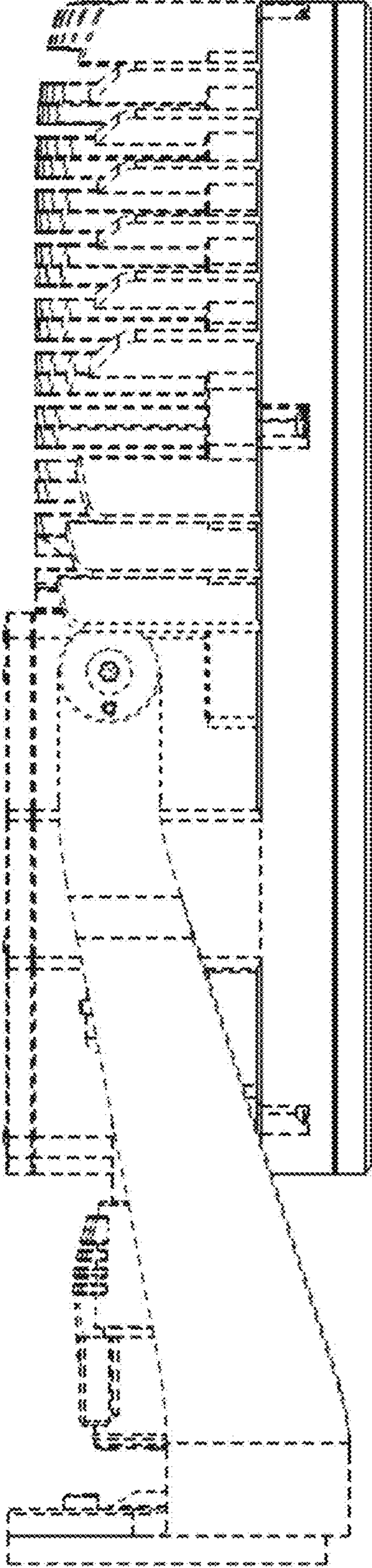


Figure 3

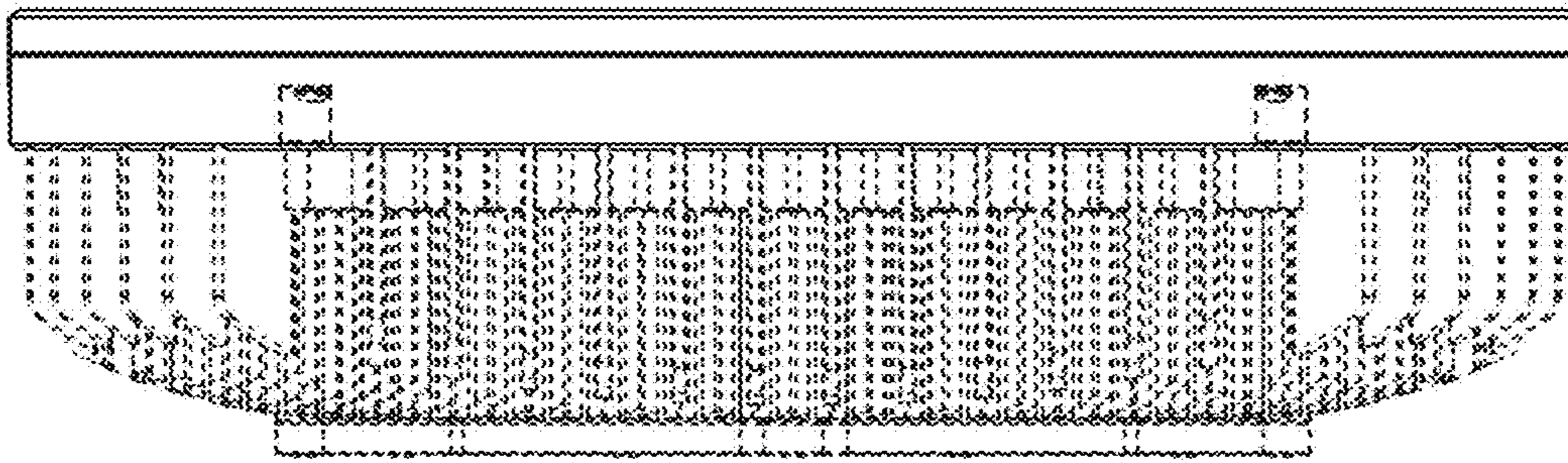


Figure 4

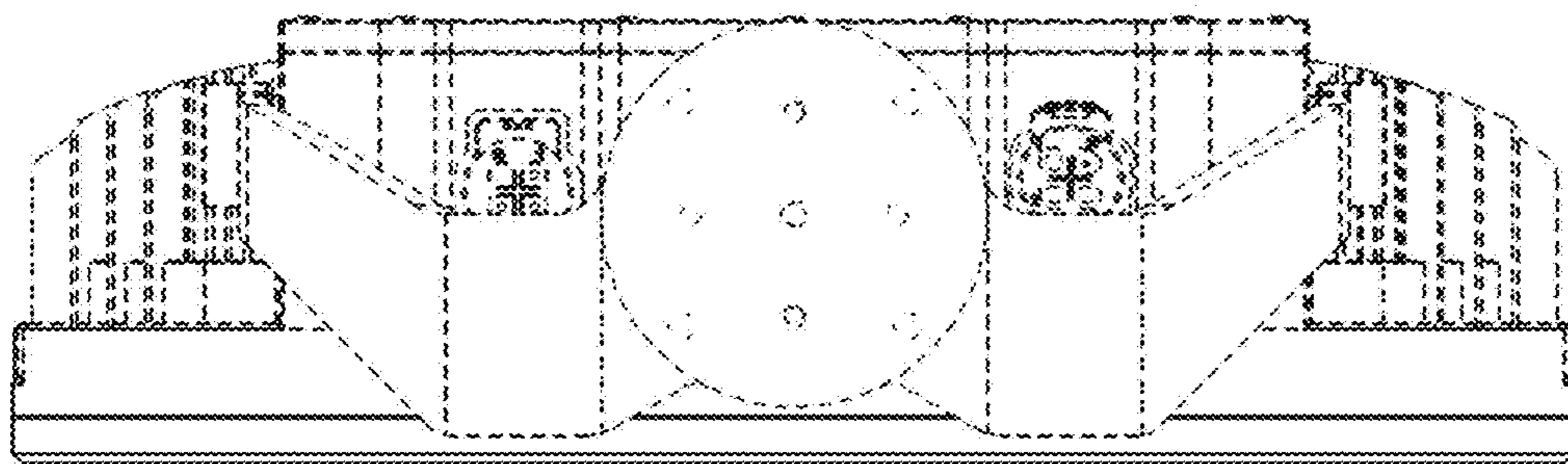


Figure 5

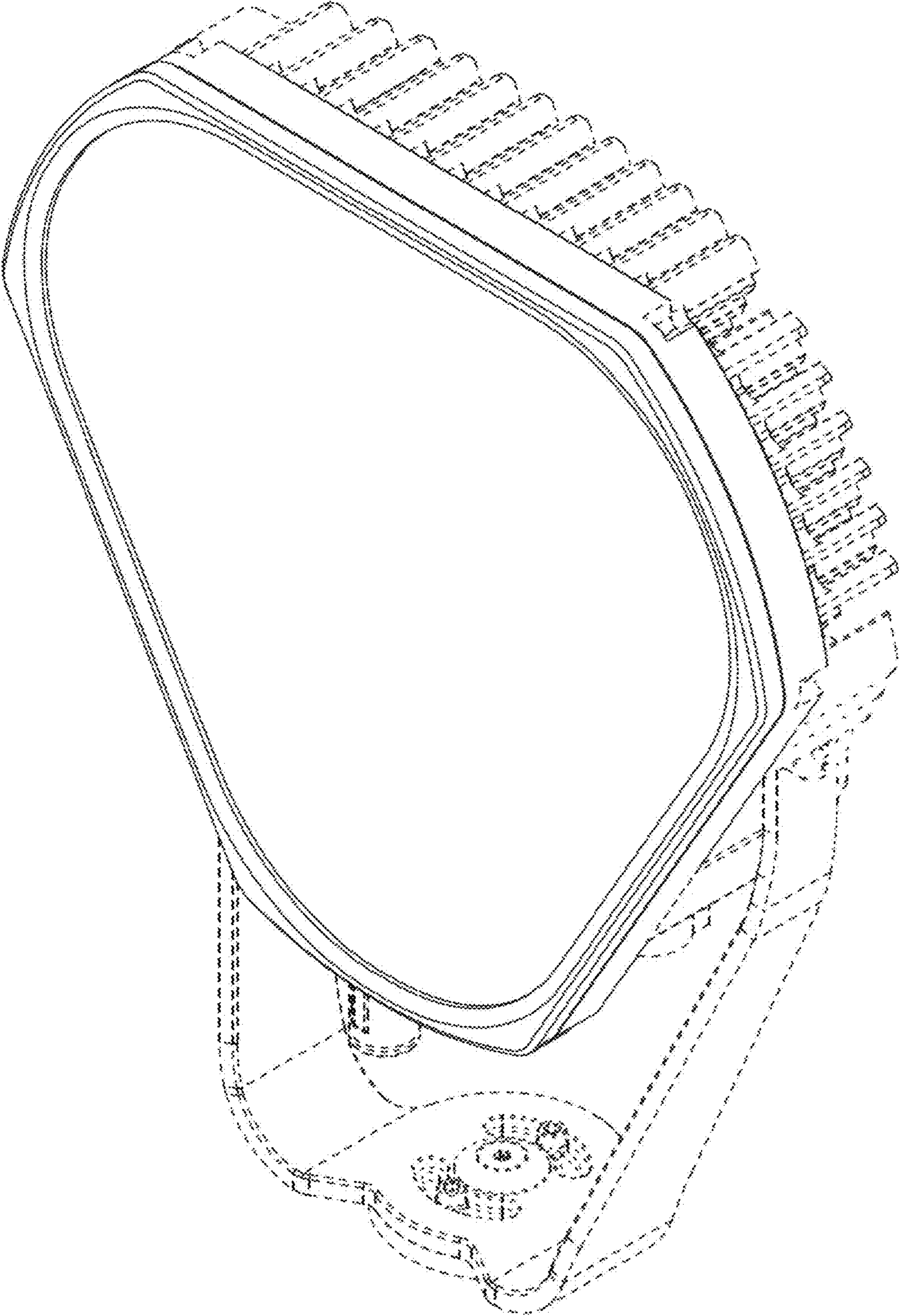


Figure 6

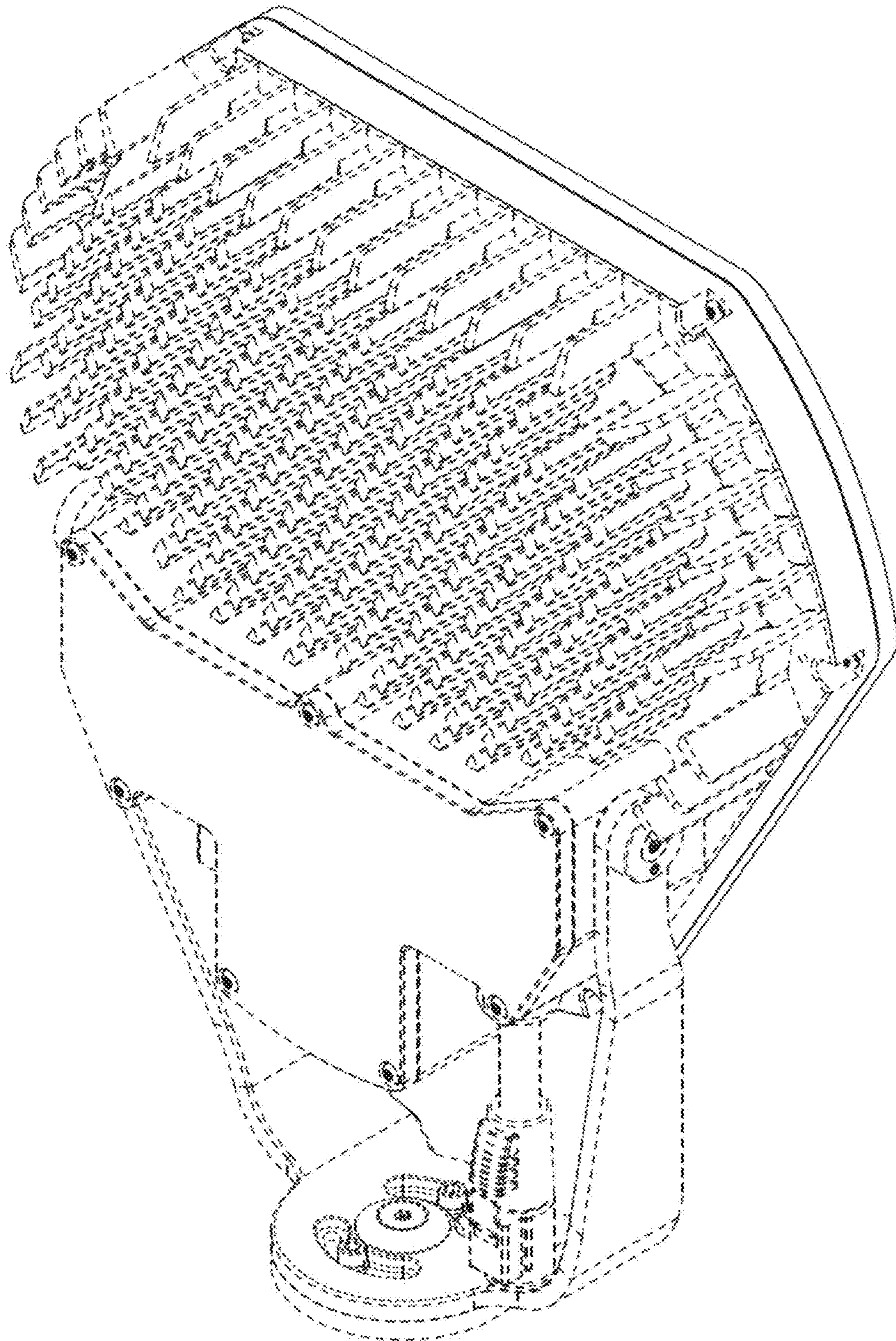


Figure 7