



US00D823513S

(12) **United States Design Patent**
Irañeta Olcoz et al.

(10) **Patent No.:** **US D823,513 S**
(45) **Date of Patent:** **** Jul. 17, 2018**

(54) **LIGHT FOR ATTACHMENT TO A REMOTE CONTROL**

(56) **References Cited**

U.S. PATENT DOCUMENTS

(71) Applicant: **IRAÑETA OLCOZ PILAR MARTIN VINAGRE JOSE MARIA**, Orkoien (Pamplona) (ES)

D640,397 S *	6/2011	Molina	D26/51
D697,244 S *	1/2014	McKechnie	D26/60
D705,980 S *	5/2014	Davidson	D26/118
D758,996 S *	6/2016	Wai	D14/218
D777,025 S *	1/2017	Turksu	D14/218
D786,660 S *	5/2017	Cacciabeve	D26/60
D794,865 S *	8/2017	Davidson	D26/118

(72) Inventors: **Pilar Irañeta Olcoz**, Orkoien (ES);
José María Martin Vinagre, Orkoien (ES)

* cited by examiner

(73) Assignee: **Irañeta Olcoz Pilar Martin Vinagre Jose Maria**, Orkoien (Pamplona) (ES)

Primary Examiner — Brian N. Vinson
(74) *Attorney, Agent, or Firm* — Cook Alex Ltd.

(**) Term: **15 Years**

(57) **CLAIM**

The ornamental design for a light for attachment to a remote control, as shown and described.

(21) Appl. No.: **29/592,317**

DESCRIPTION

(22) Filed: **Jan. 30, 2017**

(51) **LOC (11) Cl.** **26-03**

(52) **U.S. Cl.**
USPC **D26/60**; D26/51; D14/218

(58) **Field of Classification Search**
USPC D26/24, 51, 60, 113, 118; D14/511, 218, D14/299

CPC F21L 2003/00; F21L 4/00; F21L 4/005; F21L 4/02; F21L 4/025; F21L 4/027; F21L 4/04; F21L 4/08; F21L 2005/00; F21L 7/00; F21L 11/00; F21L 13/00; F21L 13/04; F21L 13/08; F21L 14/02; F21L 17/00; F21L 19/00; F21L 25/00

FIGS. 1-5 are perspective views of an illumination device for remote control devices showing our new design; FIG. 6 is a front view of the illumination device for remote control devices of FIGS. 1-5. FIG. 7 is a top view of the illumination device for remote control devices of FIGS. 1-5. FIG. 8 is a bottom view of the illumination device for remote control devices of FIGS. 1-5. FIG. 9 is an elevational end view of the illumination device for remote control devices from the left-hand side of FIG. 6; and, FIG. 10 is an elevational end view of the illumination device for remote control devices taken from the right-hand side of FIG. 6.

See application file for complete search history.

1 Claim, 2 Drawing Sheets

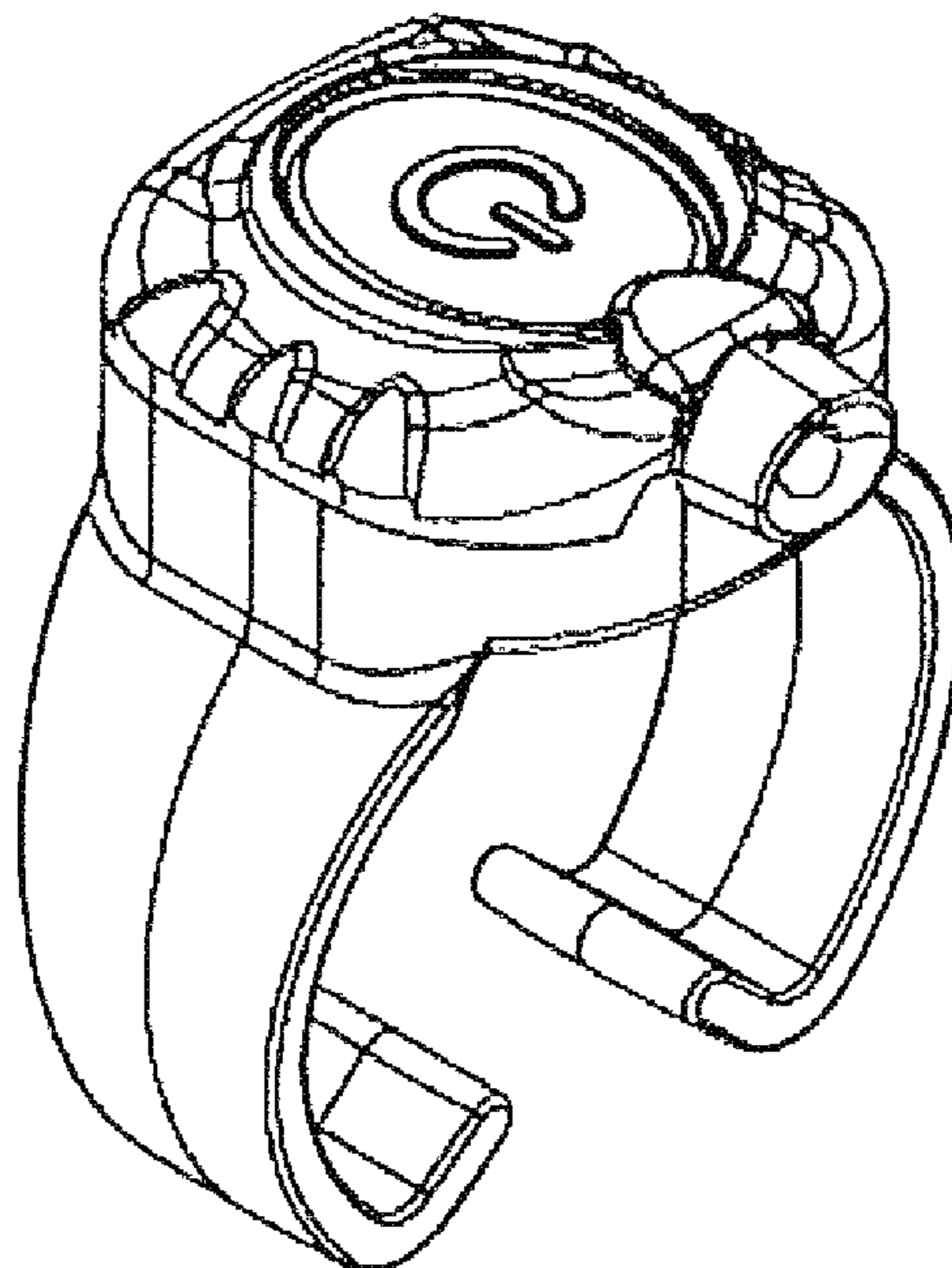


FIG. 1

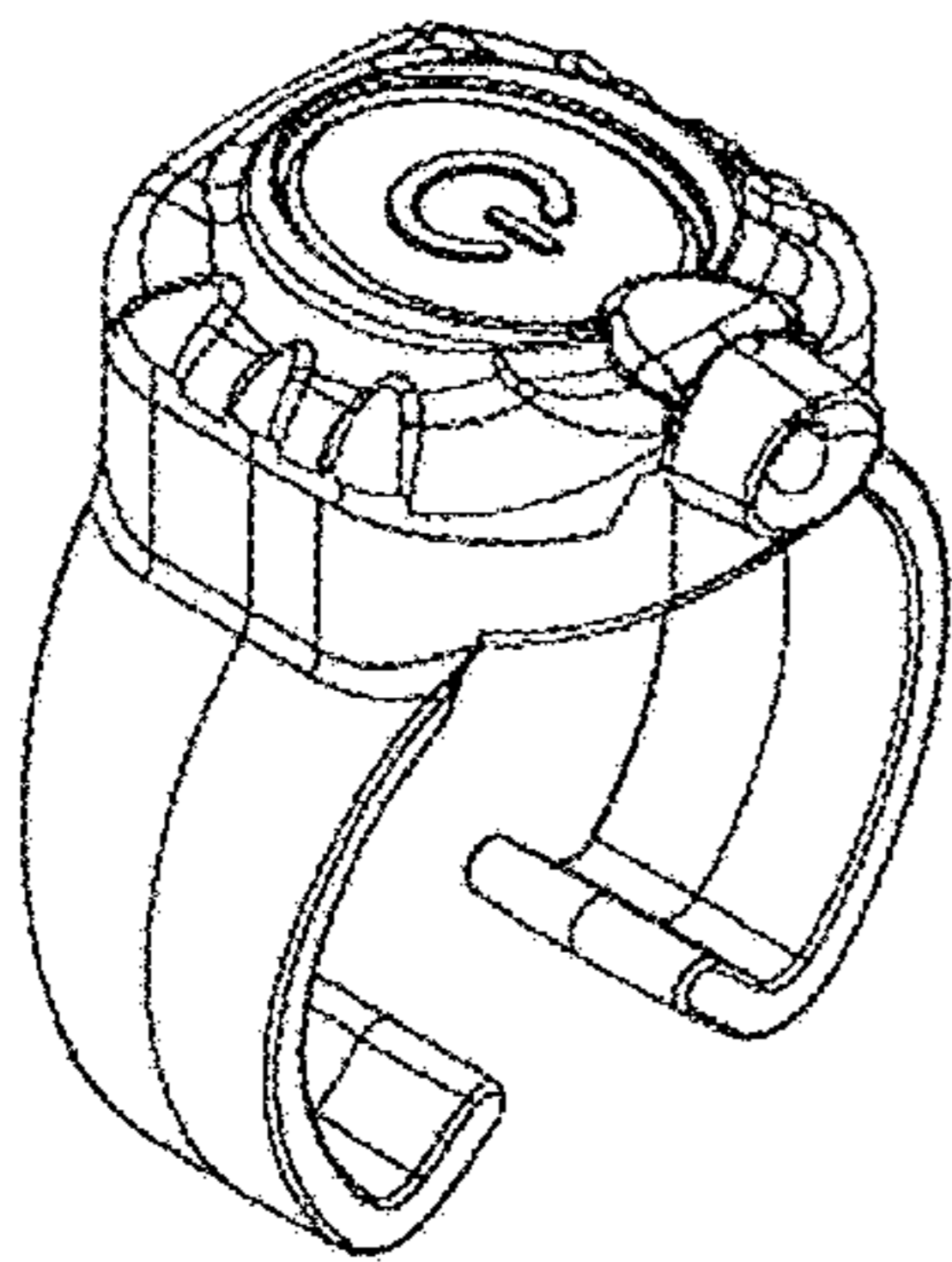


FIG. 2

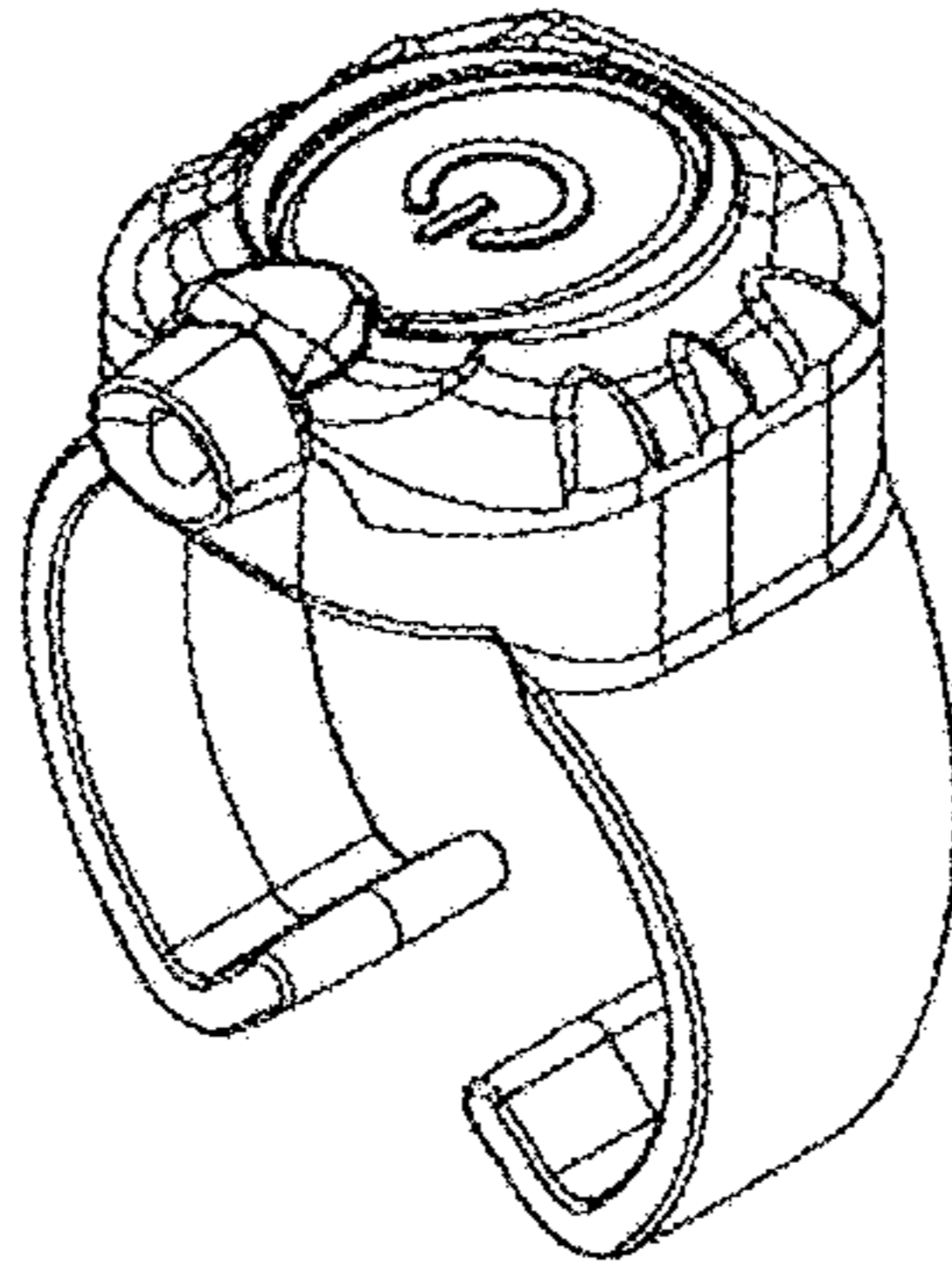


FIG. 3

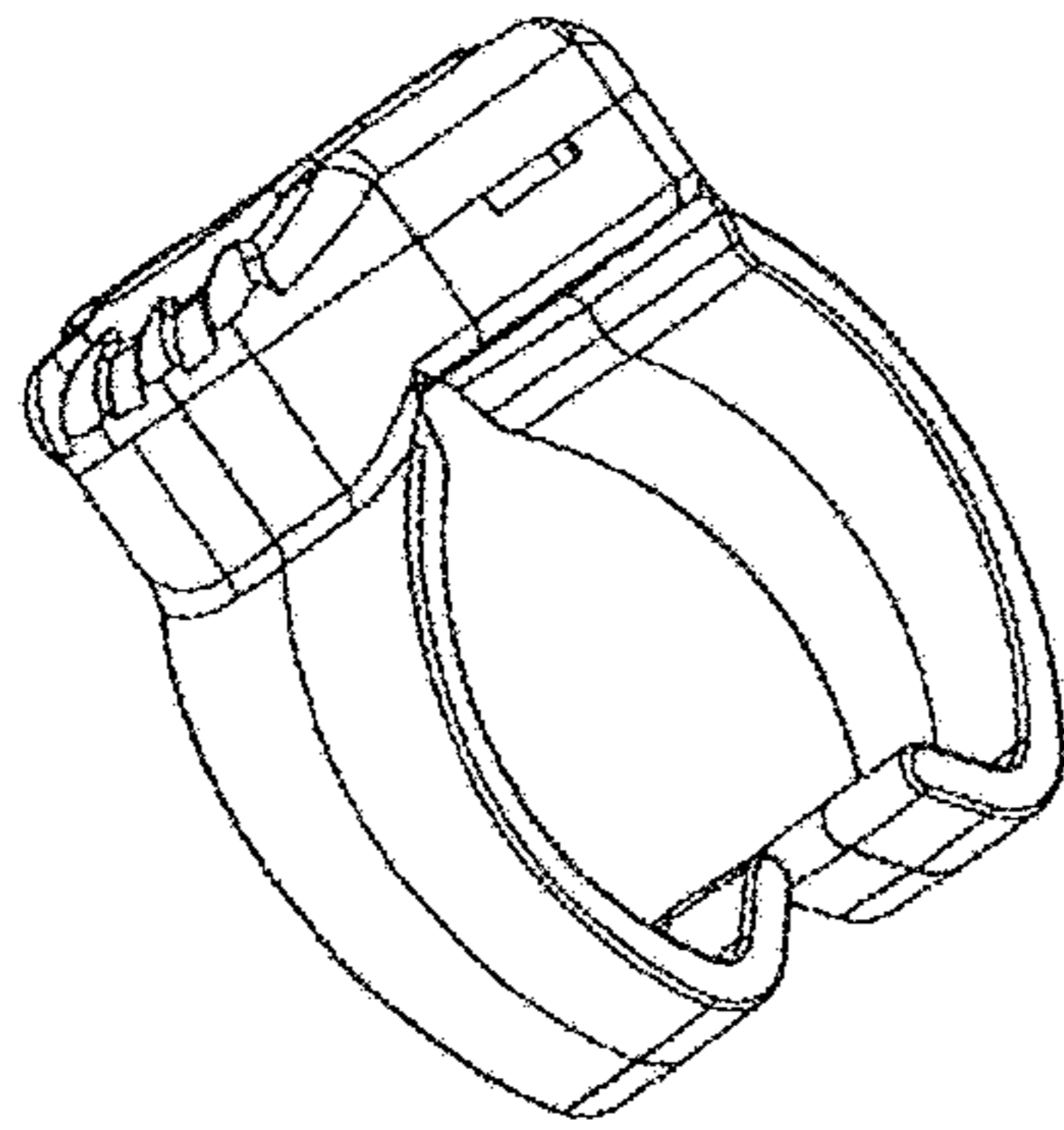
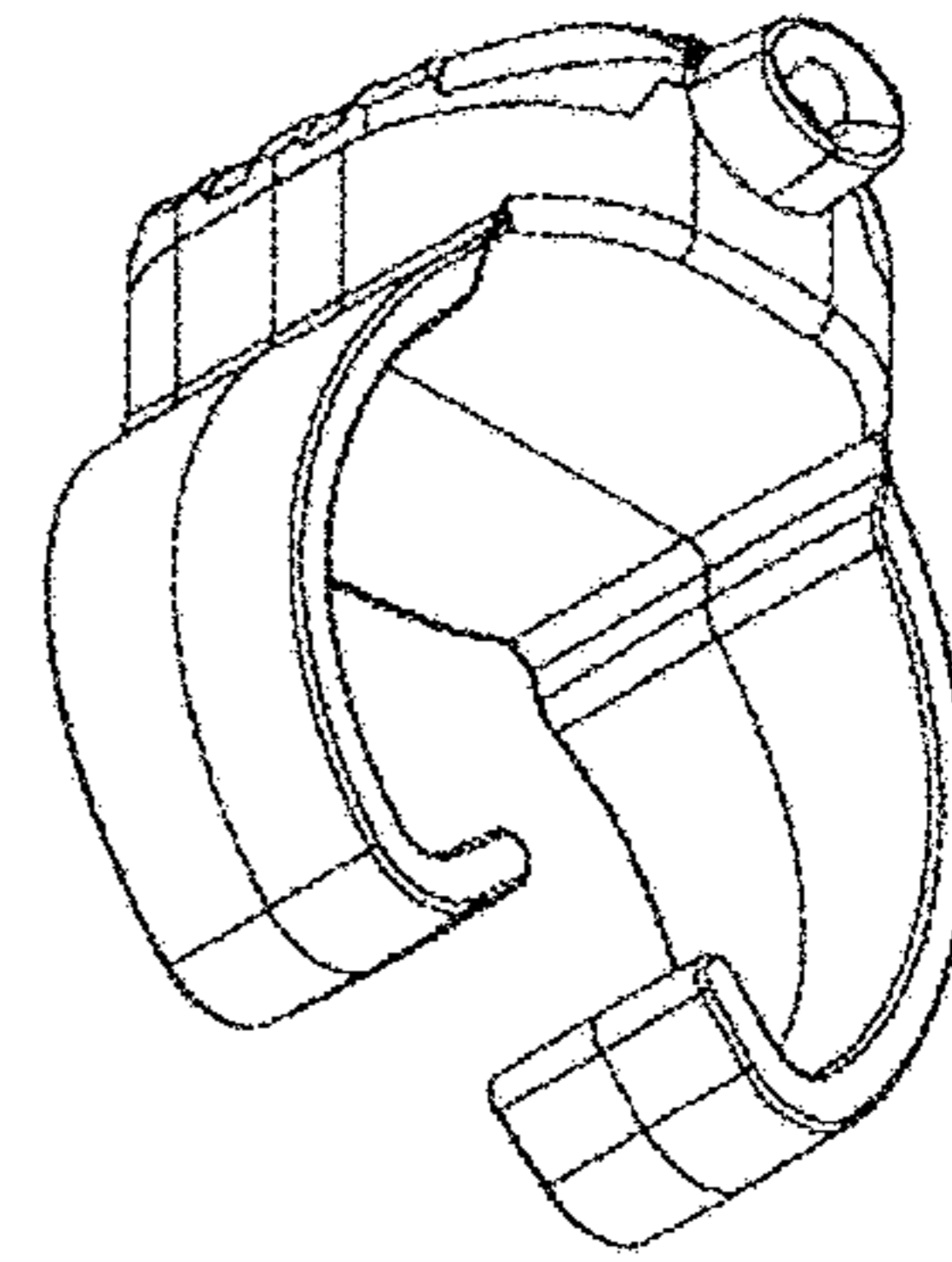


FIG. 4

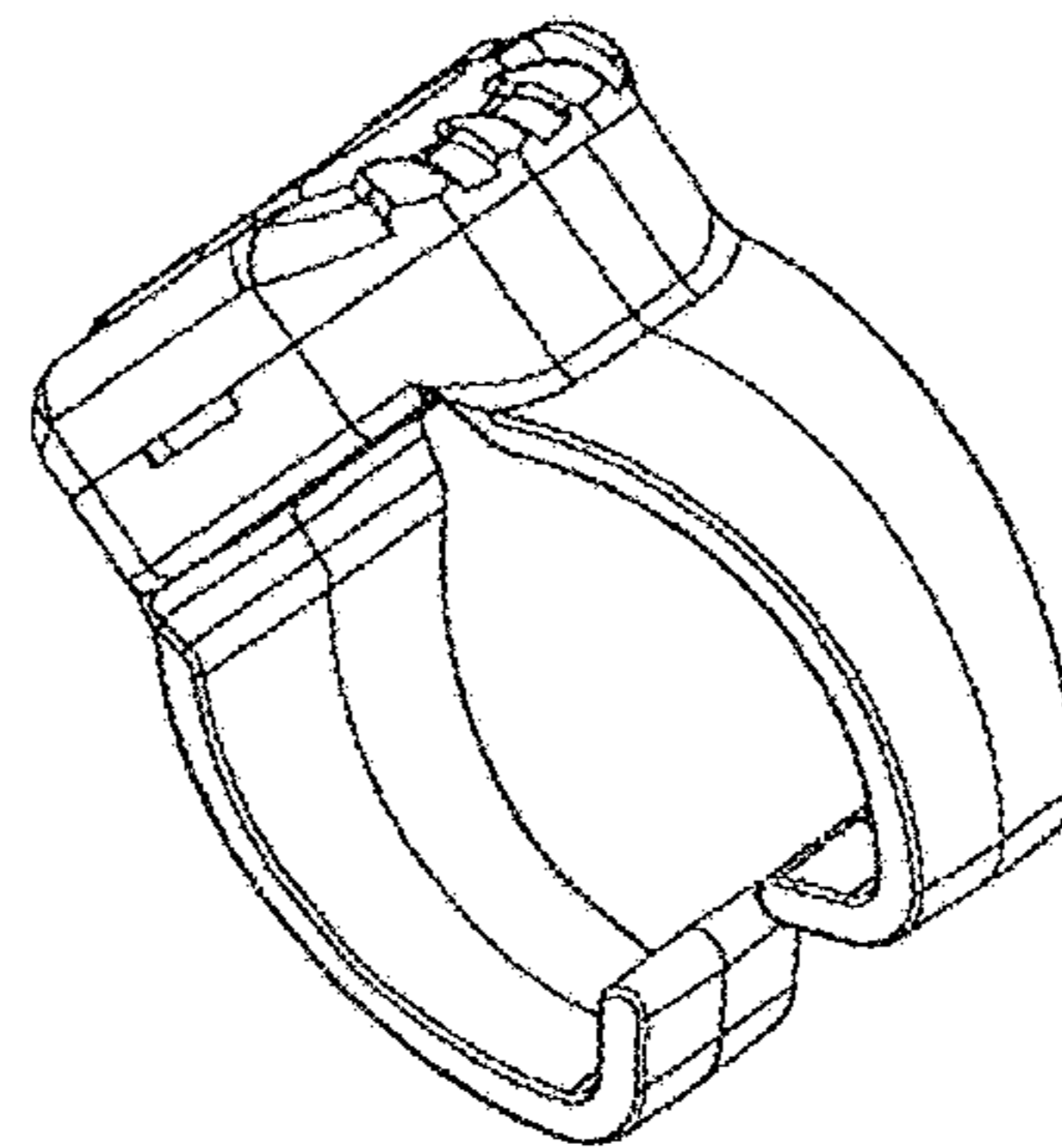


FIG. 5

FIG. 6

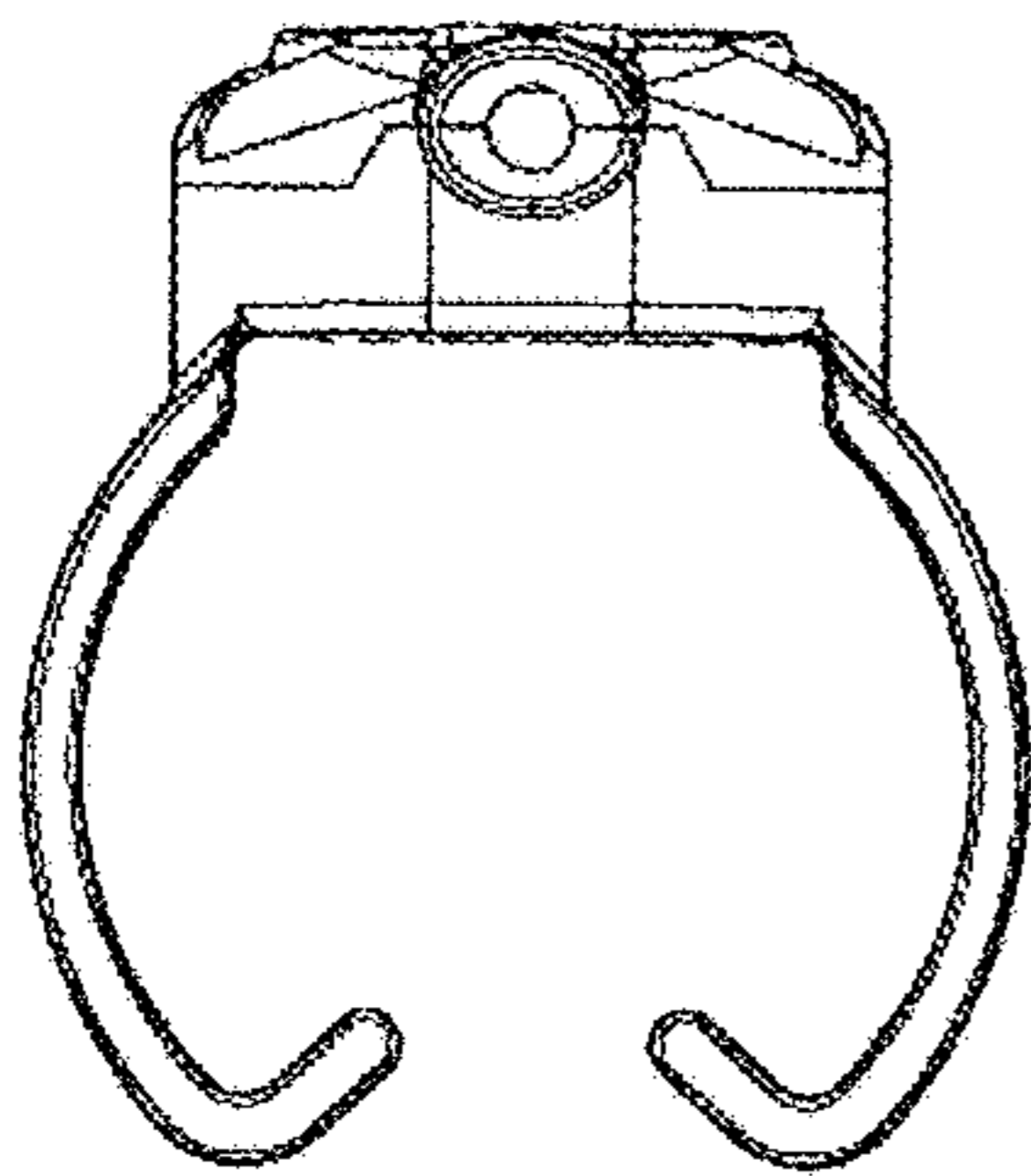


FIG. 7

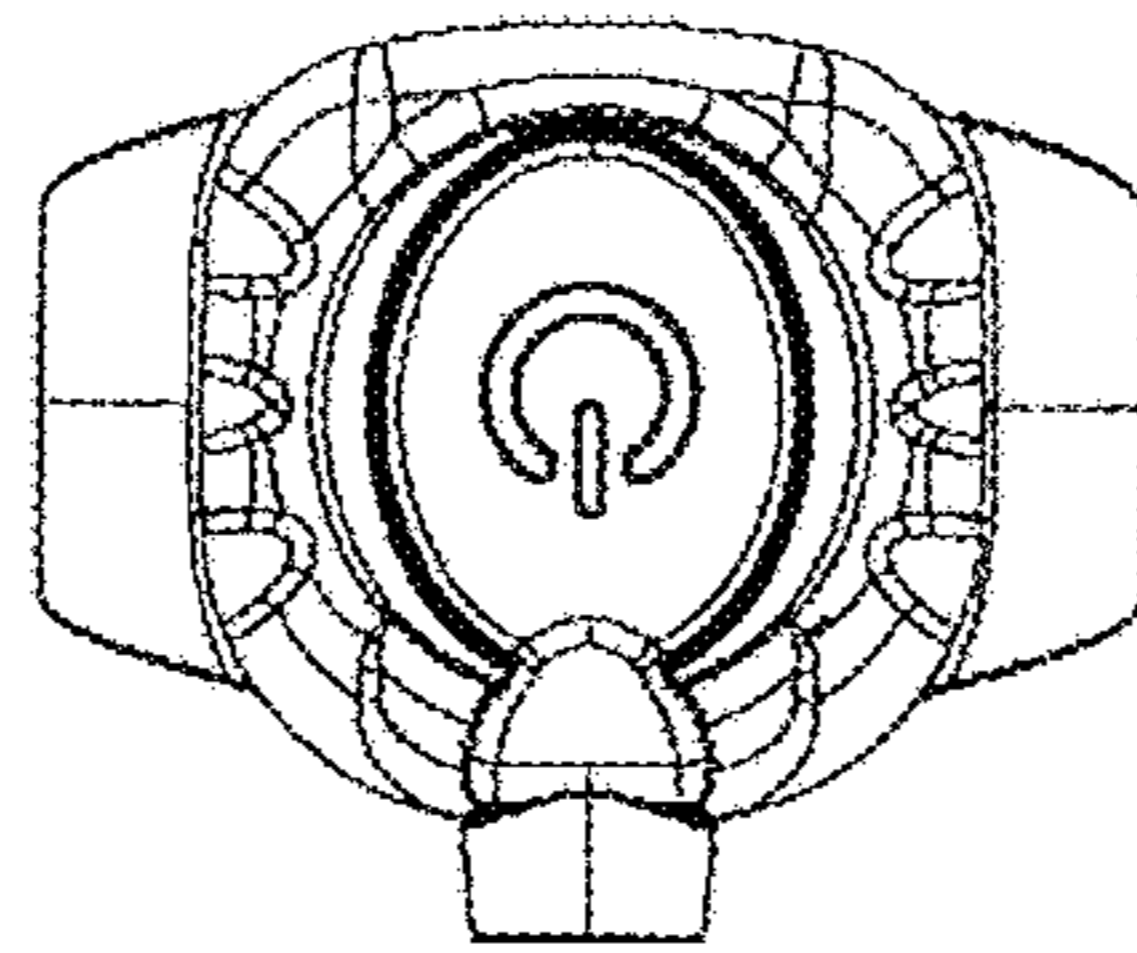


FIG. 8

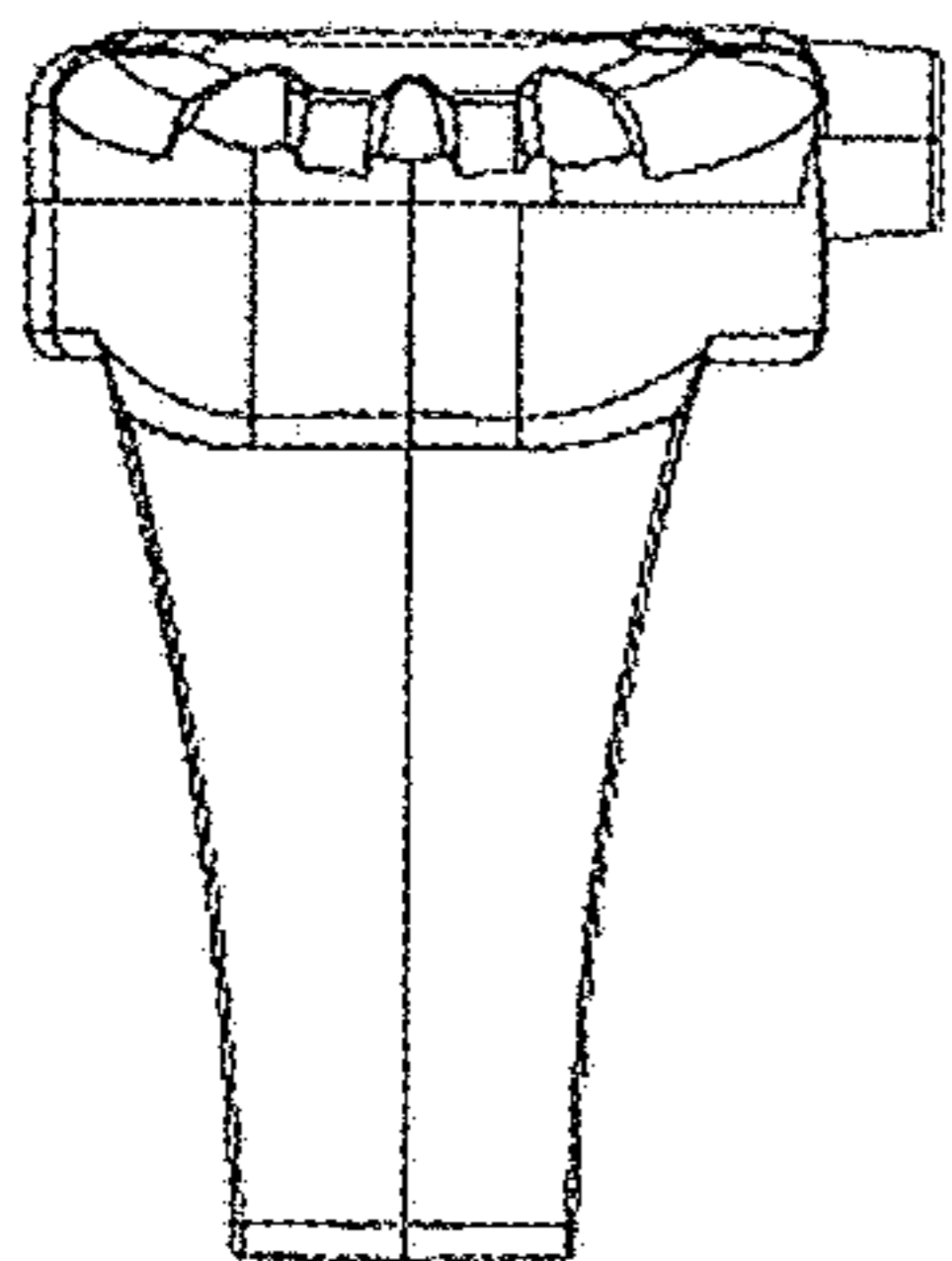
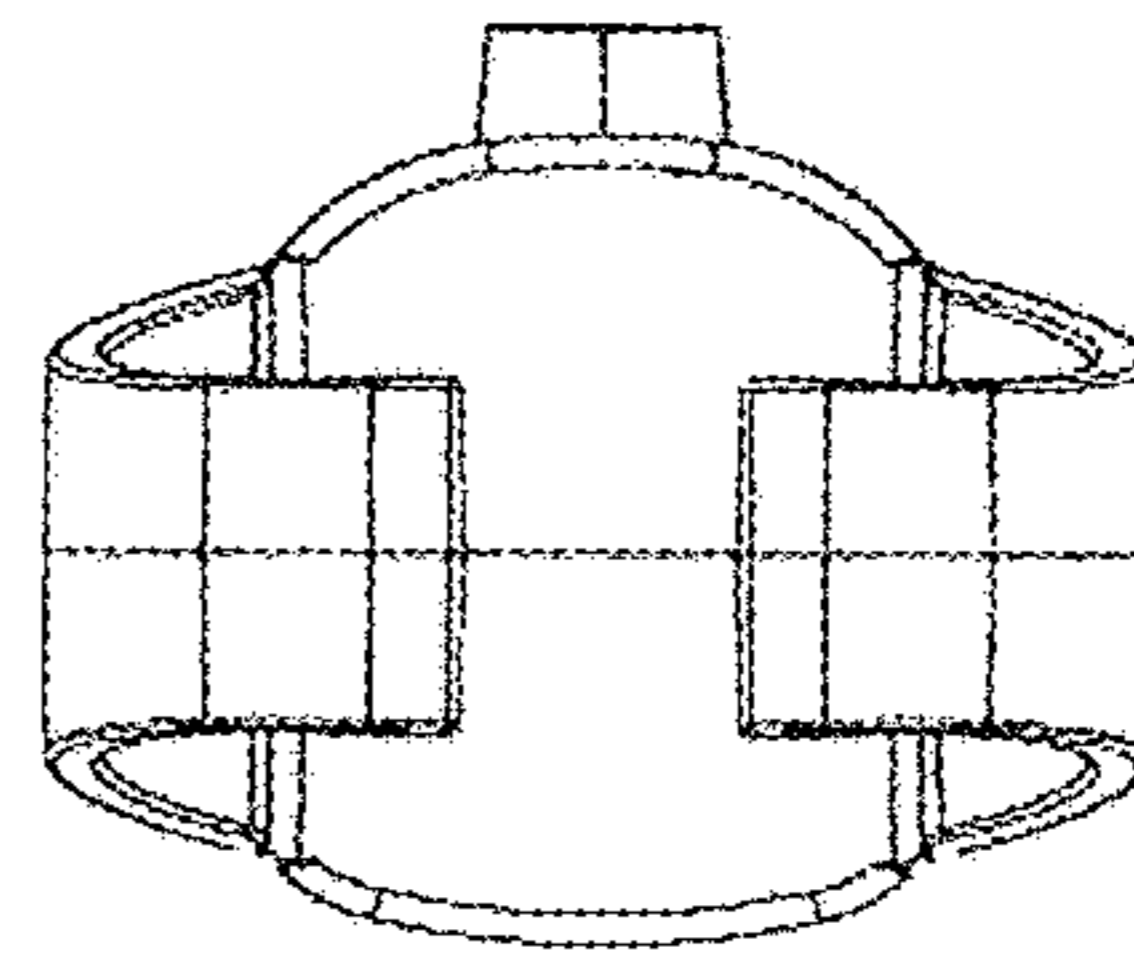


FIG. 9

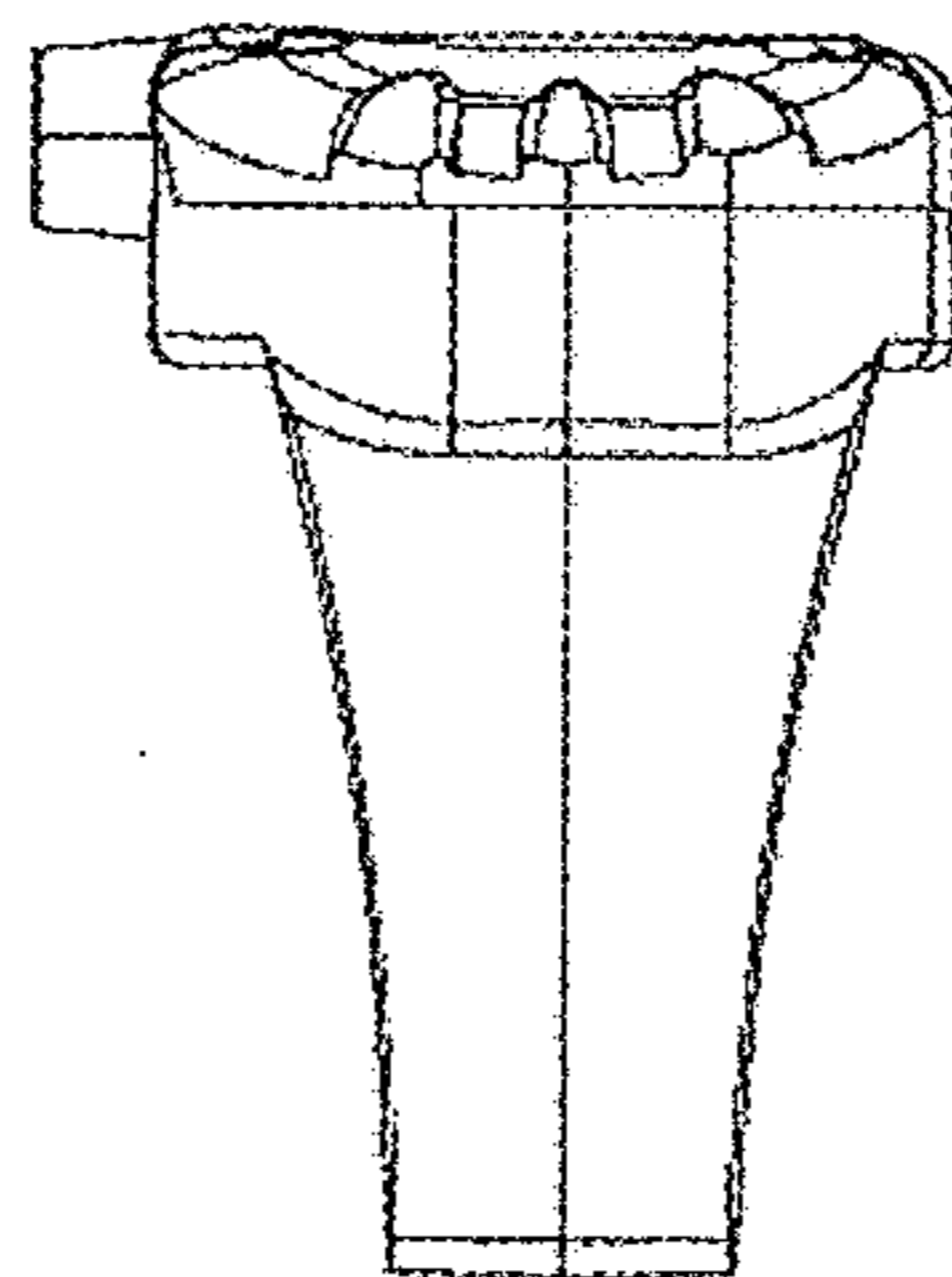


FIG. 10