



US00D823512S

(12) **United States Design Patent**  
**Vajen Habig et al.**

(10) **Patent No.:** **US D823,512 S**  
(45) **Date of Patent:** **\*\* Jul. 17, 2018**

- (54) **CEILING FAN LIGHT KIT**
- (71) Applicant: **HUNTER FAN COMPANY**,  
Memphis, TN (US)
- (72) Inventors: **Dana Vajen Habig**, Cincinnati, OH  
(US); **Claire Bernice McRoberts**,  
Memphis, TN (US); **Patrick R.**  
**O'Connell**, Germantown, TN (US)
- (73) Assignee: **Hunter Fan Company**, Memphis, TN  
(US)
- (\*\*) Term: **15 Years**
- (21) Appl. No.: **29/622,589**
- (22) Filed: **Oct. 18, 2017**

**Related U.S. Application Data**

- (62) Division of application No. 29/557,279, filed on Mar.  
8, 2016, now Pat. No. Des. 805,173.
- (51) **LOC (11) Cl.** ..... **26-05**
- (52) **U.S. Cl.**  
USPC ..... **D26/59; D26/119**
- (58) **Field of Classification Search**  
USPC ..... D23/335-337, 355, 370-385, 411-414;  
D26/59, 67, 72, 80-89, 92, 104-105, 110,  
D26/113, 118-119, 128-137  
CPC .... F04D 25/088; F21V 33/0096; F21V 21/03;  
F21V 17/002; F21V 23/007; F21V 23/04;  
F21V 23/0485; F21V 15/01; F21V  
19/006; F21V 19/04; F21V 21/02; F21V  
23/002; F21V 23/005; F21V 33/0052;  
F21V 7/22  
See application file for complete search history.

(56) **References Cited**

**U.S. PATENT DOCUMENTS**

- D42,692 S \* 7/1912 Low et al. .... D23/336
- D125,317 S \* 2/1941 Sabatini ..... D26/88

- D134,758 S 1/1943 Fukal
- 2,635,780 A \* 4/1953 Schmidt ..... F21V 15/02  
220/485
- 3,835,311 A \* 9/1974 Kramer ..... F21L 14/02  
362/376
- D261,923 S \* 11/1981 Nunez ..... D23/336  
(Continued)

**OTHER PUBLICATIONS**

<http://www.craftmade.com/Craftmade-MOR54ESP3-Espresso-Ceiling-Fan.HTM>, Craftmade—MOR54ESP3—Moorestad 54" Ceiling Fan Blades Included in Espresso with Matte Opal Glass, MOR54ESP3, accessed Mar. 8, 2016.  
(Continued)

*Primary Examiner* — Cathron C Brooks  
*Assistant Examiner* — Sharon S Oum  
(74) *Attorney, Agent, or Firm* — McGarry Bair PC

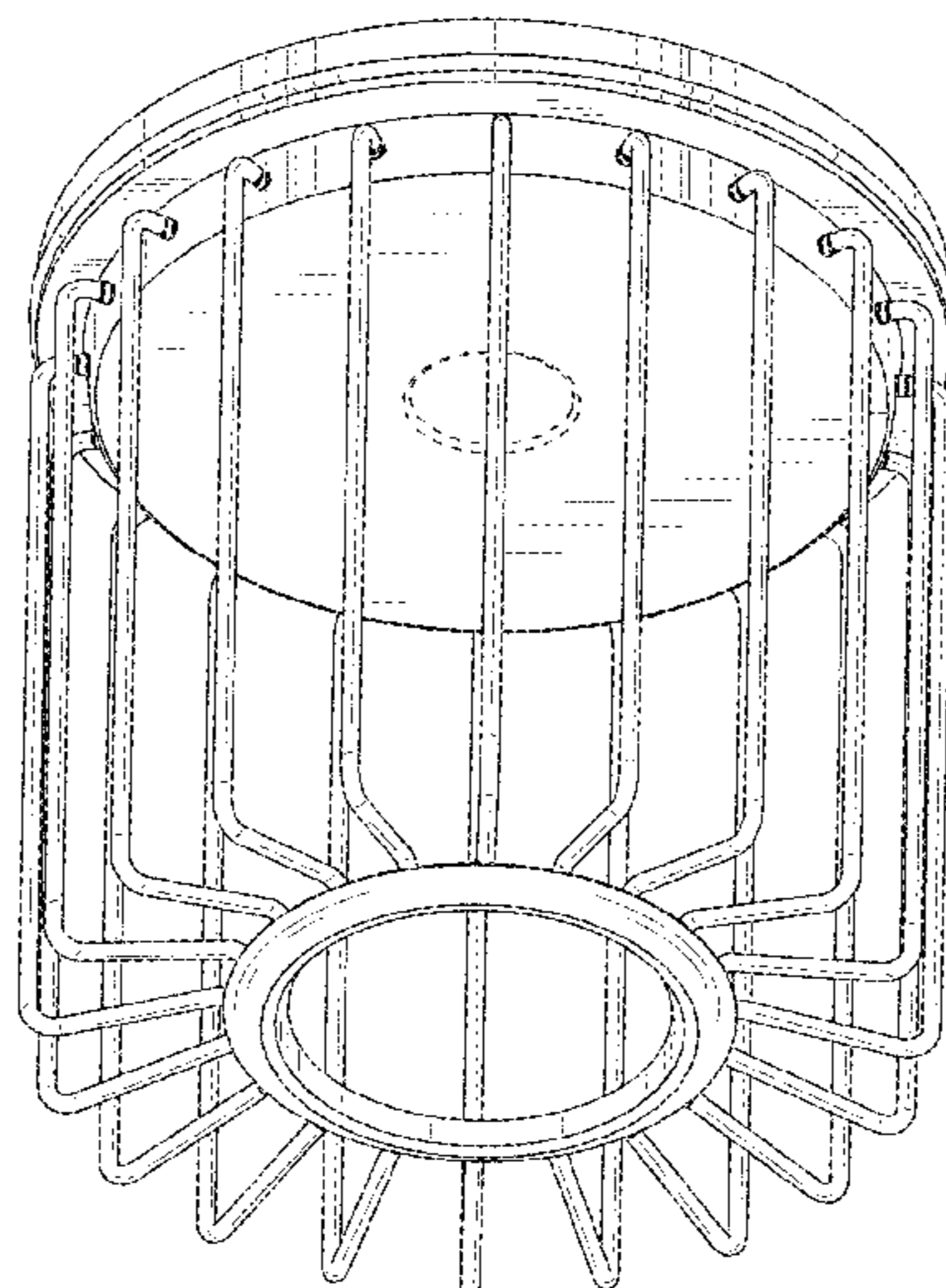
(57) **CLAIM**

The ornamental design for a ceiling fan light kit, as shown and described.

**DESCRIPTION**

FIG. 1 is a top perspective view of a ceiling fan light kit showing our new design, with a ceiling fan shown in broken lines;  
FIG. 2 is a top perspective view of the ceiling fan light kit of FIG. 1, but shown without the ceiling fan environment;  
FIG. 3 is a bottom perspective view of the ceiling fan light kit of FIG. 2;  
FIG. 4 is a top view of the ceiling fan light kit of FIG. 2;  
FIG. 5 is a bottom view of the ceiling fan light kit of FIG. 2; and,  
FIG. 6 is a side view of the ceiling fan light kit of FIG. 2. The broken lines illustrate a ceiling fan, and portions of the ceiling fan light kit. None of the broken lines form part of the claimed design.

**1 Claim, 6 Drawing Sheets**



(56)

References Cited

U.S. PATENT DOCUMENTS

4,657,485 A \* 4/1987 Hartwig ..... F04D 29/703  
 362/96  
 D298,049 S \* 10/1988 Takahashi ..... D23/336  
 D300,456 S \* 3/1989 Sakai ..... D23/336  
 D345,790 S 4/1994 Caldwell  
 D350,213 S \* 8/1994 Druffel ..... D26/118  
 D397,197 S \* 8/1998 Ito ..... D23/336  
 D465,277 S 11/2002 Sonneman  
 D476,411 S 6/2003 Friedes  
 D478,161 S 8/2003 Collmar  
 D607,988 S 1/2010 Oleson et al.  
 D619,238 S 7/2010 Hidalgo  
 D627,912 S \* 11/2010 Mo ..... D26/119  
 D635,237 S 3/2011 Fizer  
 D660,952 S 5/2012 Spaggiari  
 D675,371 S \* 1/2013 Nowak ..... D26/128  
 D698,990 S \* 2/2014 Chen ..... D26/128  
 D699,339 S \* 2/2014 Wang ..... D23/385  
 D732,157 S \* 6/2015 Lin ..... D23/377  
 D777,312 S \* 1/2017 Badarello ..... D23/377  
 D788,970 S \* 6/2017 Tu ..... D26/94  
 D789,507 S \* 6/2017 Badarello ..... D23/377

D799,664 S \* 10/2017 Wang ..... D23/377  
 D804,638 S \* 12/2017 Guthrie ..... D23/377  
 D805,173 S \* 12/2017 Vajen Habig ..... D23/377

OTHER PUBLICATIONS

<http://www.fanimation.com/products/index.php/fans/kaya.html>,  
 Kaya, FP7963, accessed Mar. 8, 2016.  
<http://www.minkagroup.net/products/f582-orb>, Rainamn, F582-  
 ORB, accessed Mar. 8, 2016.  
[http://www.amazon.com/gp/product/  
 B008HF6OM8?keywords=possini%20euro%20edge  
 &qid=1444139700&ref=sr\\_1\\_1&sr=8-1](http://www.amazon.com/gp/product/B008HF6OM8?keywords=possini%20euro%20edge&qid=1444139700&ref=sr_1_1&sr=8-1), 60" Possini Euro Edge II  
 Oil-Rubbed Bronze Ceiling Fan, accessed Mar. 8, 2016.  
[http://www.kichler.com/products/product/maor-patio-65-ceiling-  
 fan-olde-bronze-oz-310136oz.aspx](http://www.kichler.com/products/product/maor-patio-65-ceiling-fan-olde-bronze-oz-310136oz.aspx), Maor Patio Collection Maor  
 Patio 65" Ceiling Fan—Olde Bronze OZ, 310136OZ, accessed Mar.  
 8, 2016.  
 Hunter 59239—Ronan—52" Matte Black+ Satin Copper, published  
 Jan. 29, 2016, [hansenwholesale.com](http://hansenwholesale.com), site visited Jan. 27, 2017,  
 Copyright© 1994-2017, Available from Internet, <[http://www.  
 hansenwholesale.com/ceilingfans/hunter/model.asp-  
 ?ProdNo=59239](http://www.hansenwholesale.com/ceilingfans/hunter/model.asp?ProdNo=59239)>.

\* cited by examiner

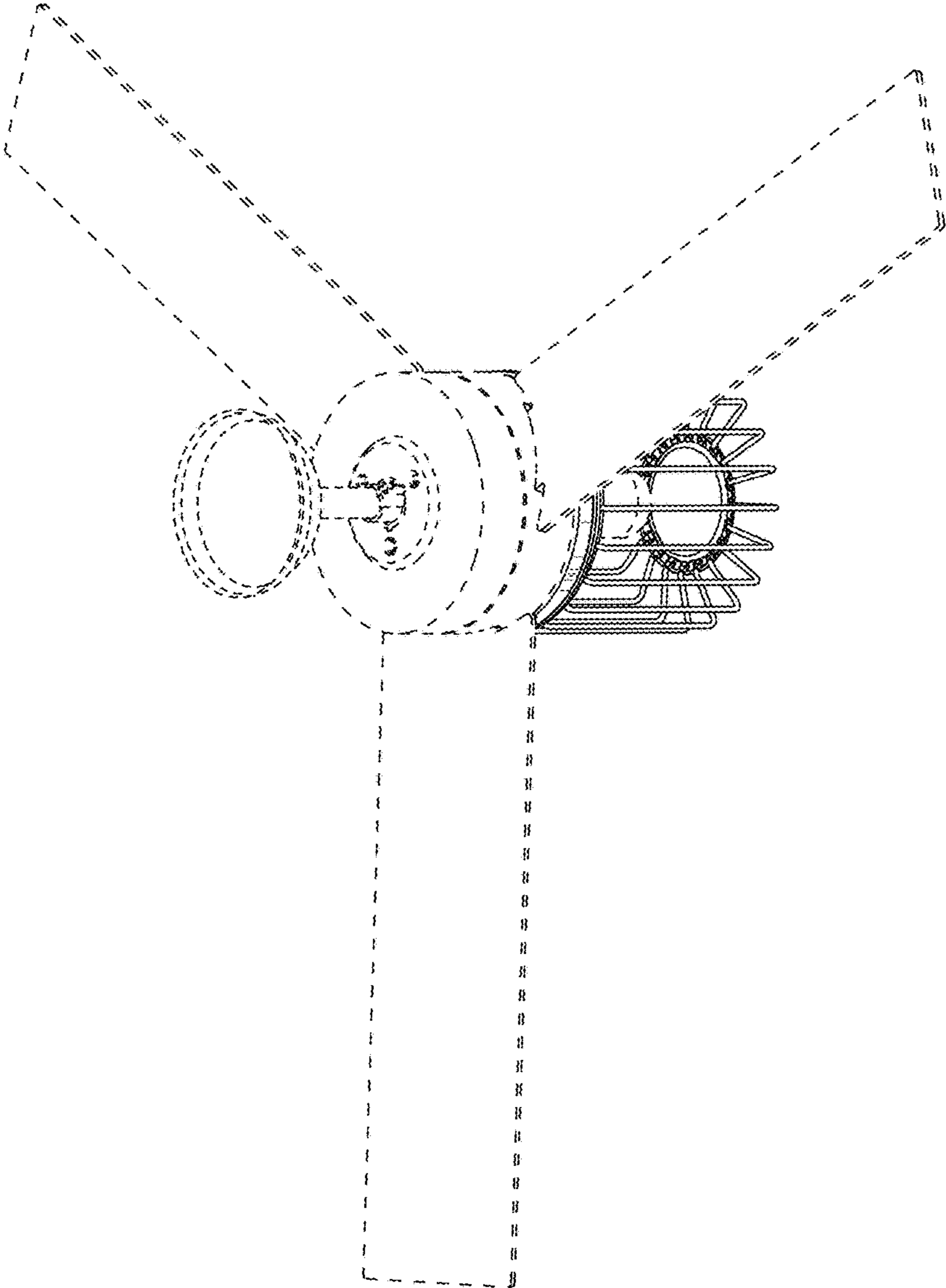


FIG. 1

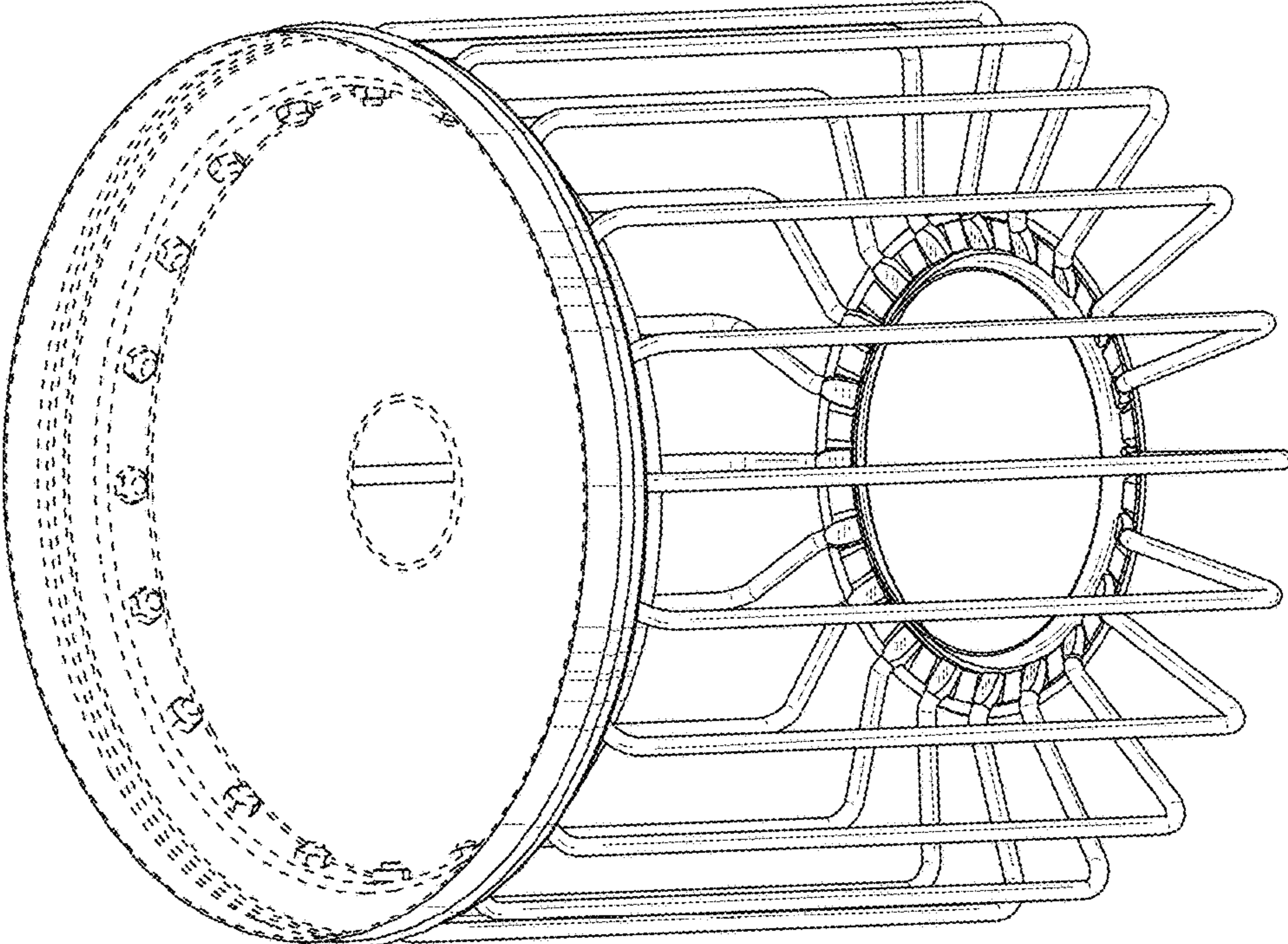


FIG. 2

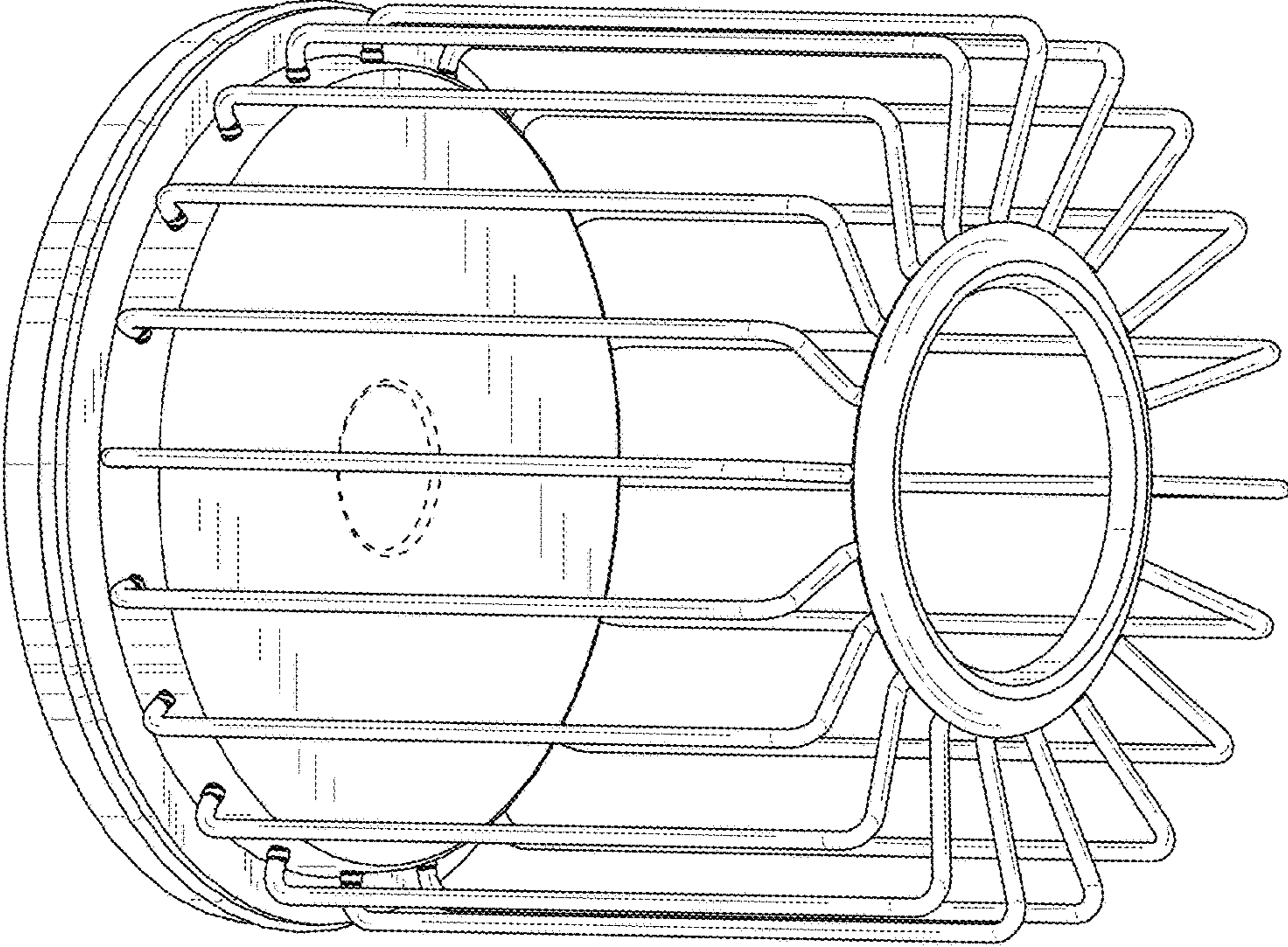
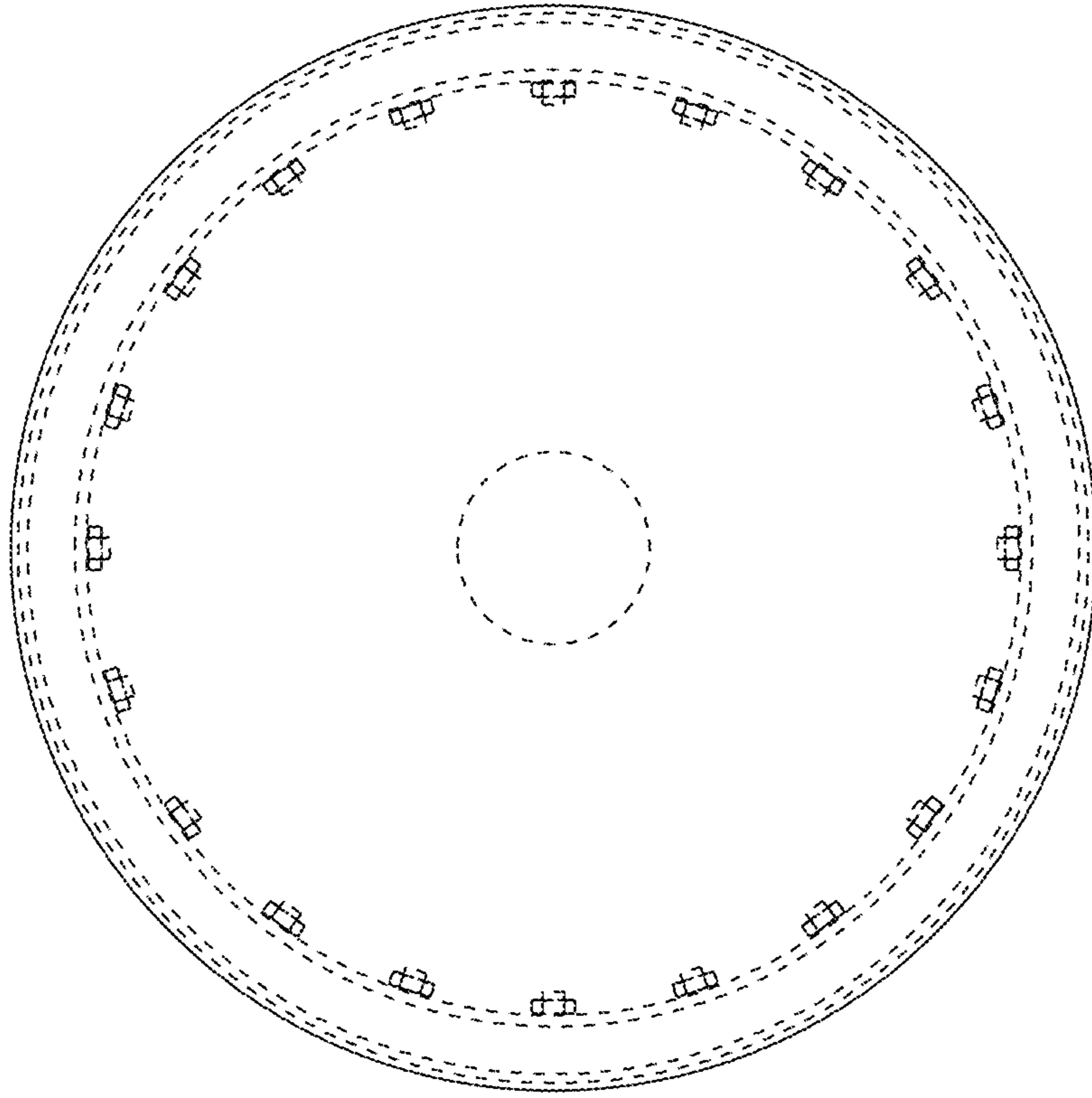


FIG. 3



**FIG. 4**

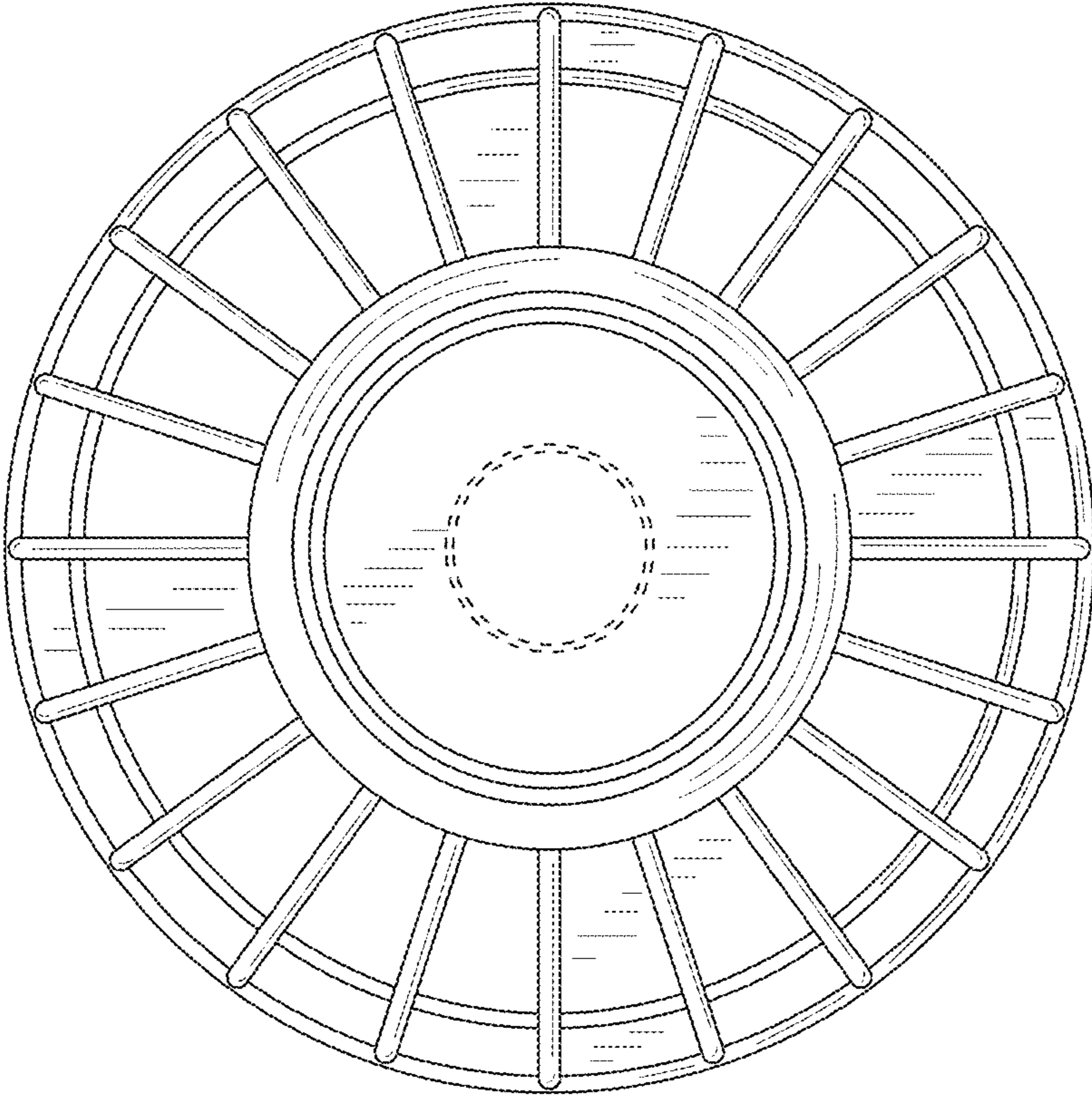


FIG. 5

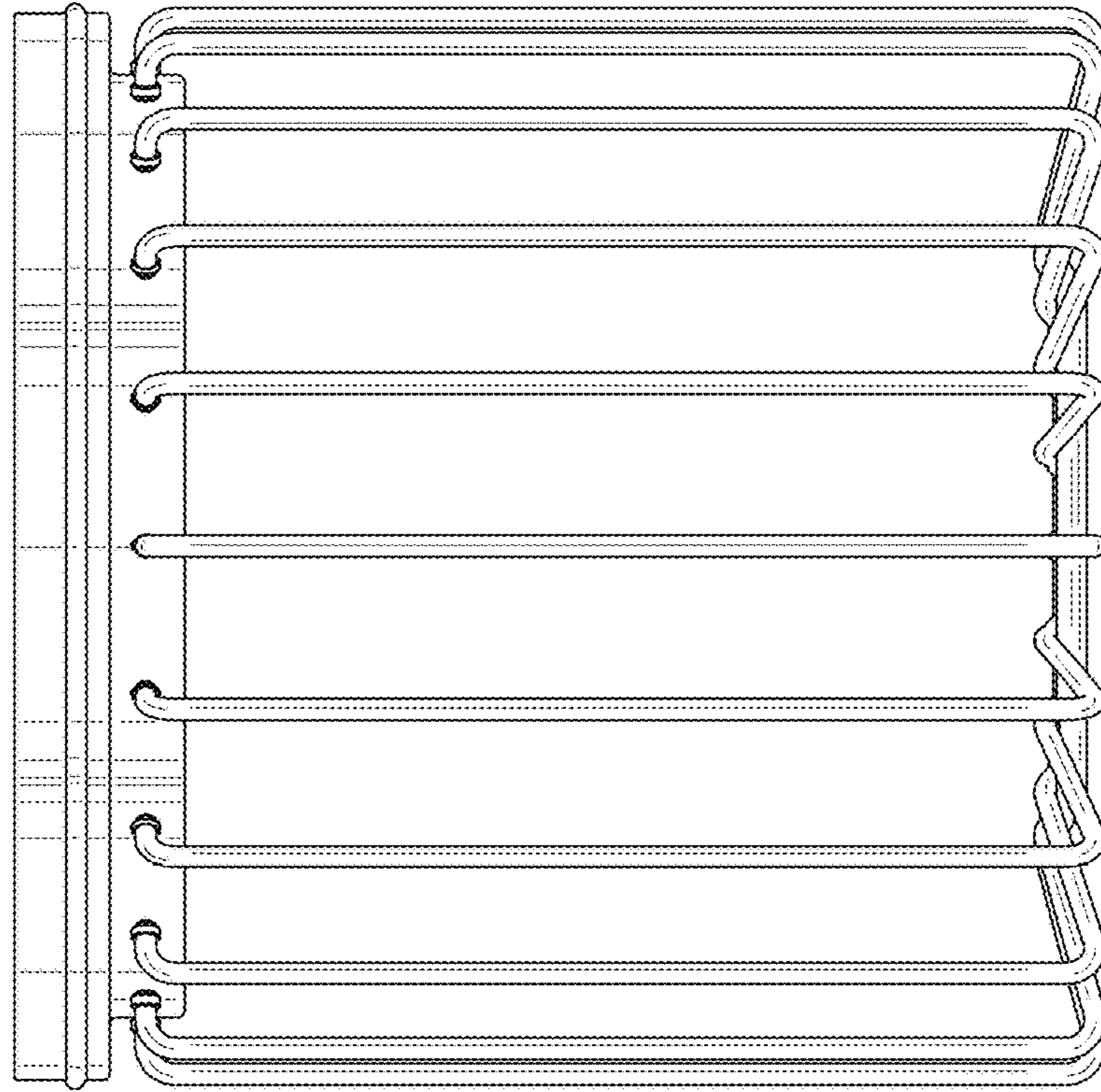


FIG. 6