



US00D823510S

(12) **United States Design Patent**
Kunzendorf

(10) **Patent No.:** **US D823,510 S**

(45) **Date of Patent:** **** Jul. 17, 2018**

(54) **FLASHLIGHT**

(71) Applicant: **LED Lenser Corp. Ltd.**, Yangjiang (CN)

(72) Inventor: **Andre Kunzendorf**, Wuppertal (DE)

(73) Assignee: **Led Lenser Corp. Ltd.**, Yangjiang (CN)

(**) Term: **15 Years**

(21) Appl. No.: **29/569,267**

(22) Filed: **Jun. 24, 2016**

(51) **LOC (11) Cl.** **26-02**

(52) **U.S. Cl.**
USPC **D26/49**

(58) **Field of Classification Search**
USPC D26/37, 36, 46, 48, 49; 359/399, 406;
D16/217, 317, 134, 219; D3/209
CPC F12V 15/012; F12V 15/013
See application file for complete search history.

(56) **References Cited**

U.S. PATENT DOCUMENTS

D247,925 S *	5/1978	Little, Jr.	D26/48
D265,594 S *	7/1982	Mann	D26/37
D285,361 S *	8/1986	Marcucci	D26/138
D331,293 S *	11/1992	Dickerson	D26/49
D417,022 S *	11/1999	Chiu	D26/49
D473,961 S *	4/2003	Galli	D26/49
D531,743 S *	11/2006	Opolka	D26/37
D535,418 S *	1/2007	Martin	D26/37
D549,860 S *	8/2007	Gustafson	D26/37
D550,447 S *	9/2007	Opolka	D3/209
D567,416 S *	4/2008	Shiu	D26/37
D593,239 S *	5/2009	Caniparoli	D26/49
D595,440 S *	6/2009	Rivera	D26/49
D607,591 S *	1/2010	Rivera	D26/49
D621,080 S *	8/2010	Chen	D26/49
D637,747 S *	5/2011	Hesse	D26/49

D639,476 S *	6/2011	Robinson	D26/49
D684,716 S *	6/2013	Baker	D26/49
D685,940 S *	7/2013	Lee	D26/49
D706,475 S *	6/2014	Lee	D26/49
D706,476 S *	6/2014	Lee	D26/49
D716,982 S *	11/2014	Corey	D26/49
9,068,727 B2 *	6/2015	Lee	F21V 14/065
D736,847 S *	8/2015	Kobayashi	D16/134
D743,594 S *	11/2015	Scazziga	D26/37
D744,681 S *	12/2015	Breen	D26/49
D746,499 S *	12/2015	Schleder	D26/113
9,212,794 B2 *	12/2015	Unger	F21L 13/06
D750,689 S *	3/2016	Oh	D16/134
D756,441 S *	5/2016	Kobayashi	D16/134
D767,185 S *	9/2016	Schleder	D26/113
D768,322 S *	10/2016	Feustel	D26/60
D780,356 S *	2/2017	Nguyen	D26/49
D799,087 S *	10/2017	Koshiba	D26/49

* cited by examiner

Primary Examiner — Lakiya G Rogers

Assistant Examiner — Altaira J Swangin

(74) *Attorney, Agent, or Firm* — Alston & Bird LLP

(57) **CLAIM**

The ornamental design for a flashlight, as shown and described.

DESCRIPTION

FIG. 1 is a perspective view of a flashlight according to my new design;

FIG. 2 is a front elevation view thereof;

FIG. 3 is a back elevation view thereof;

FIG. 4 is a right side elevation view thereof;

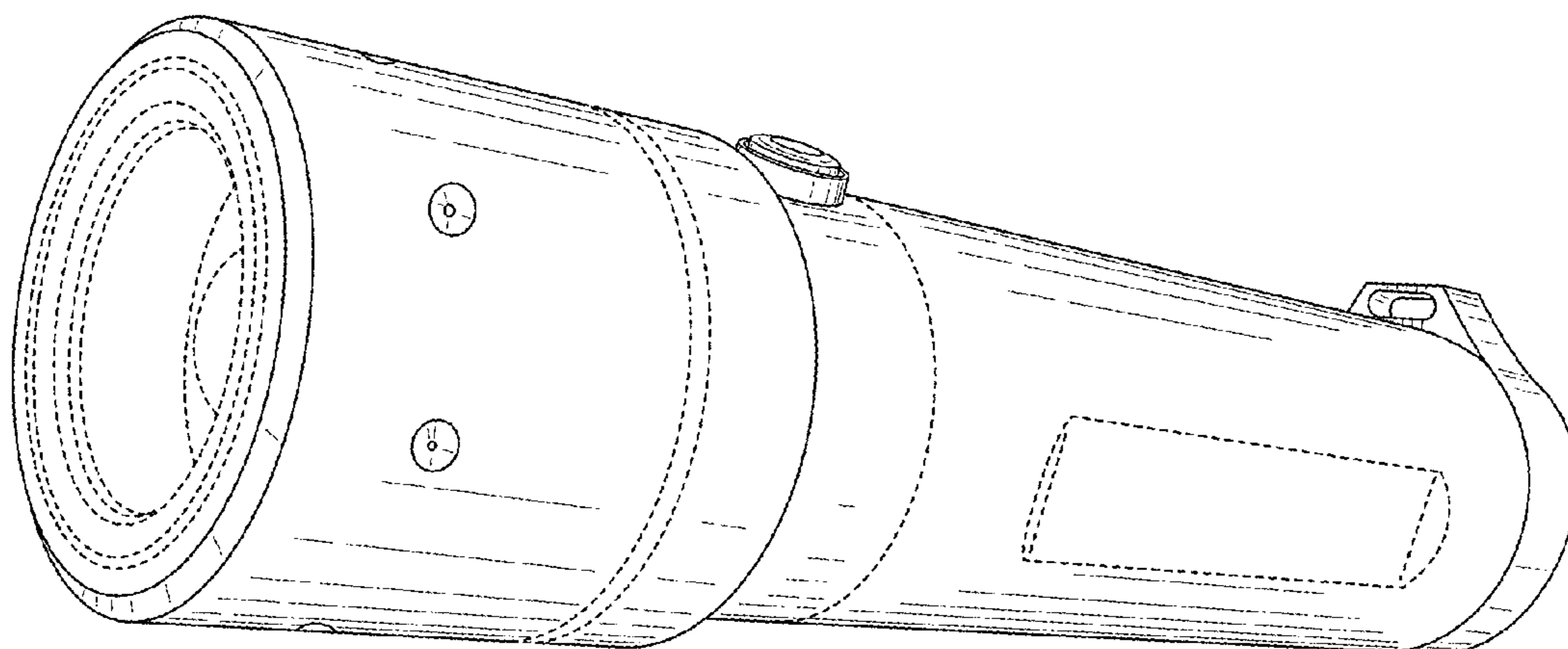
FIG. 5 is a left side elevation view thereof;

FIG. 6 is a top elevation view thereof; and,

FIG. 7 is a bottom plan view thereof.

The dash-dash broken lines showing in the views illustrate portions of the flashlight that form no part of the claimed design.

1 Claim, 7 Drawing Sheets



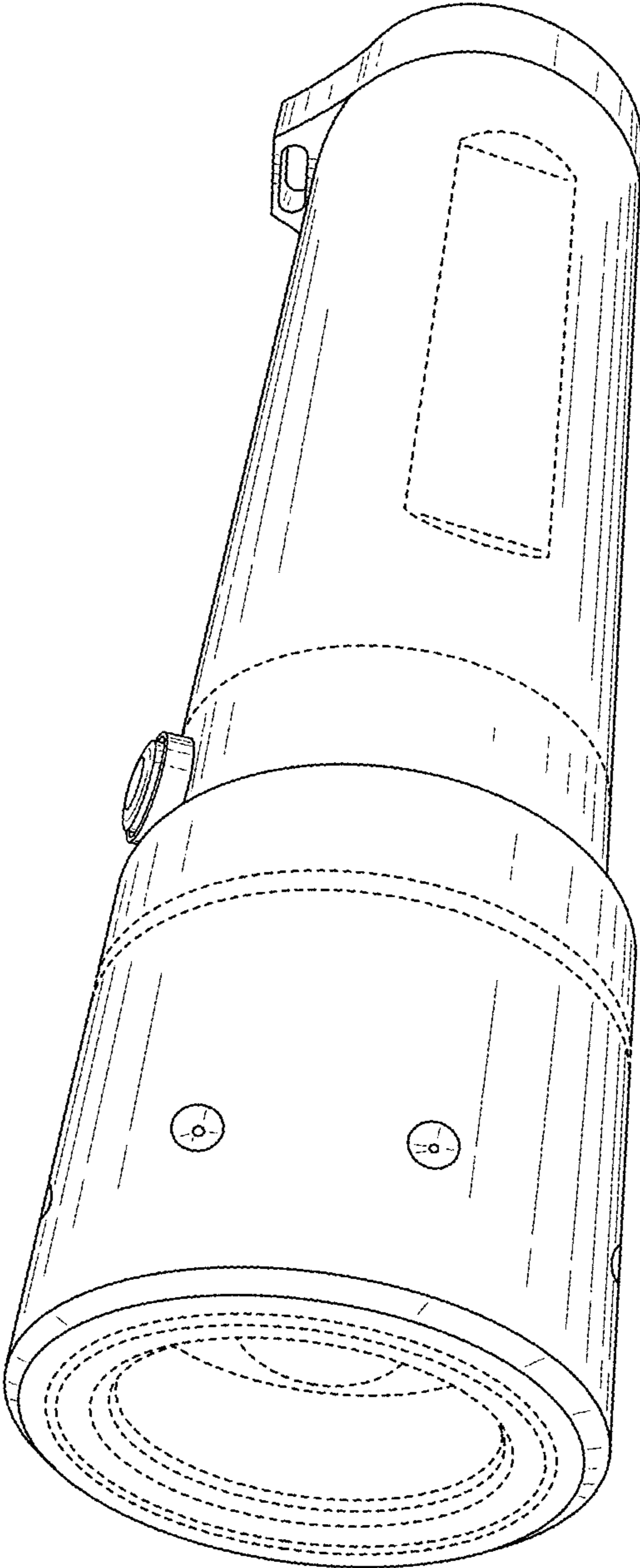


FIG. 1

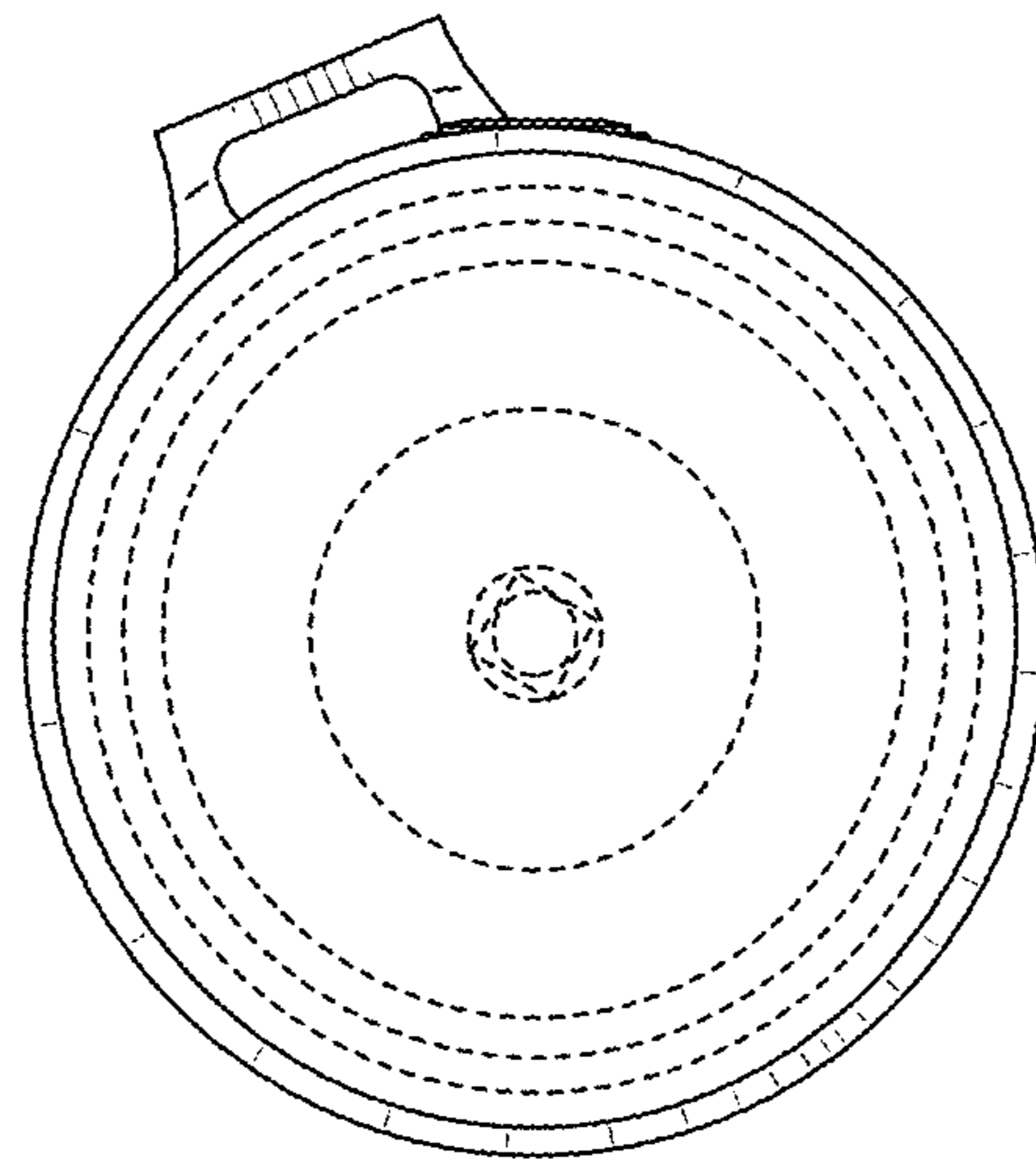


FIG. 2

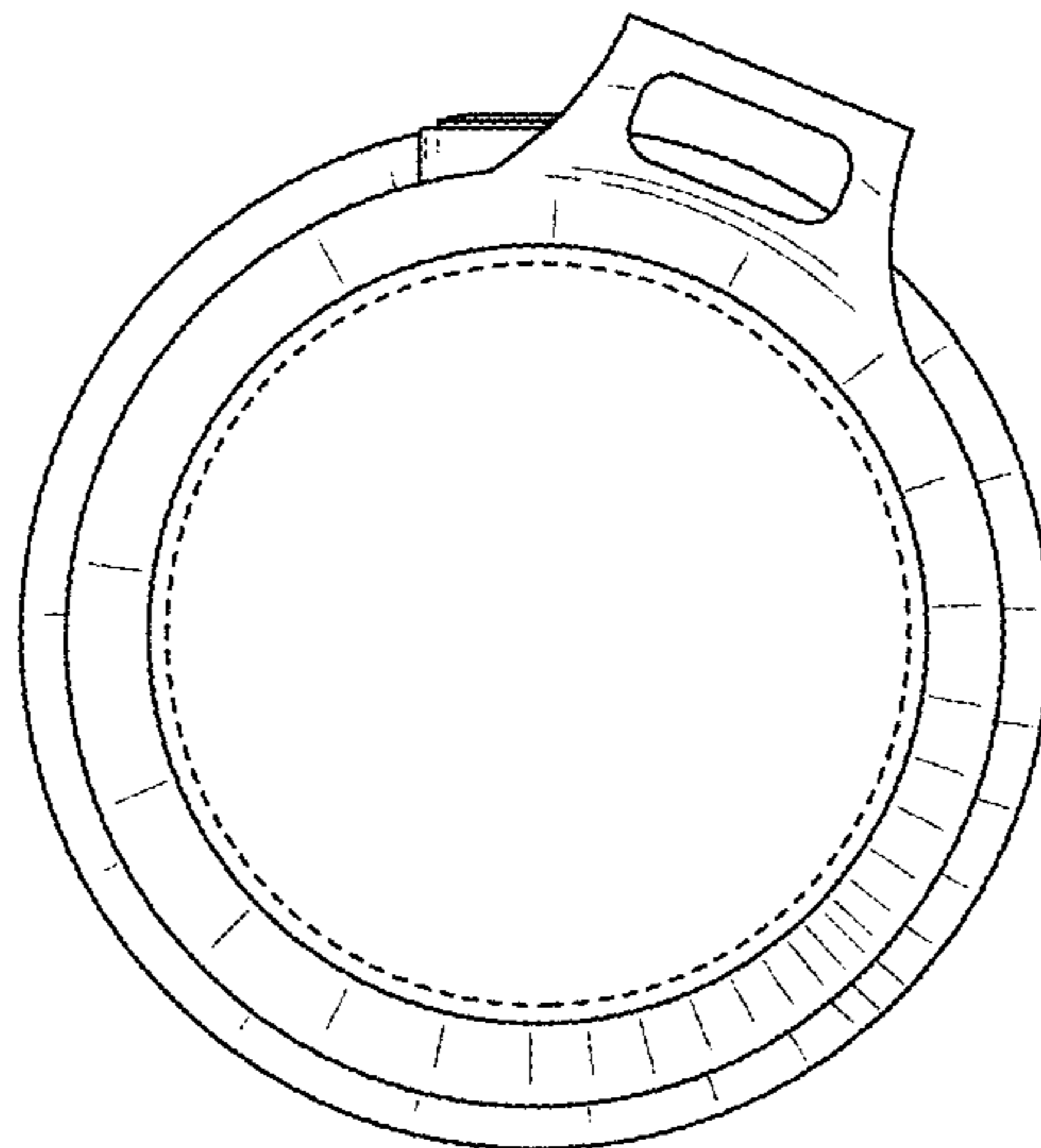


FIG. 3

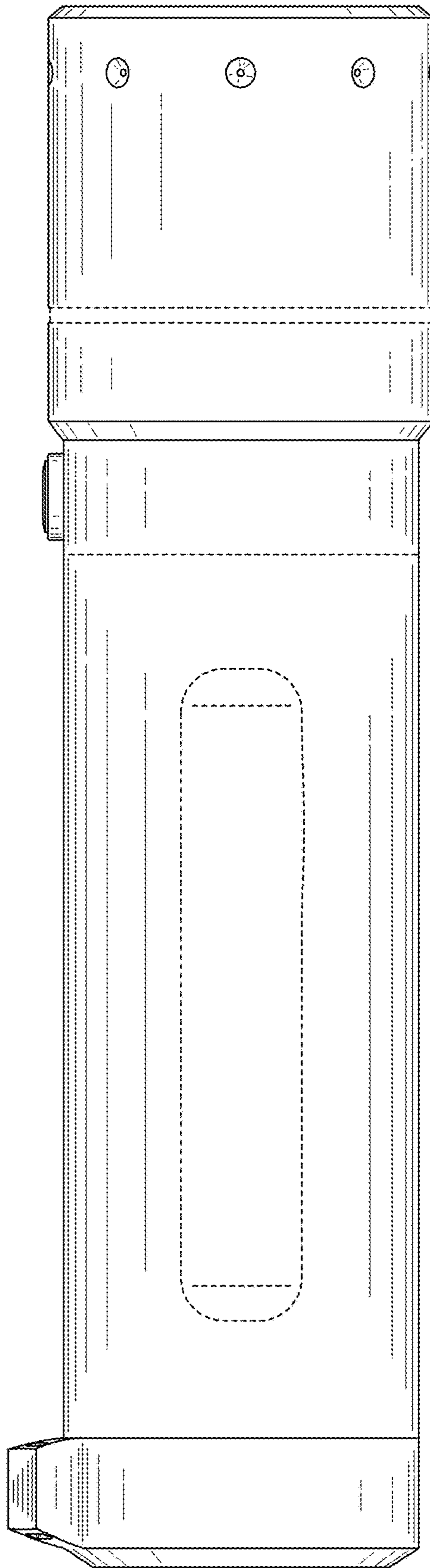


FIG. 4

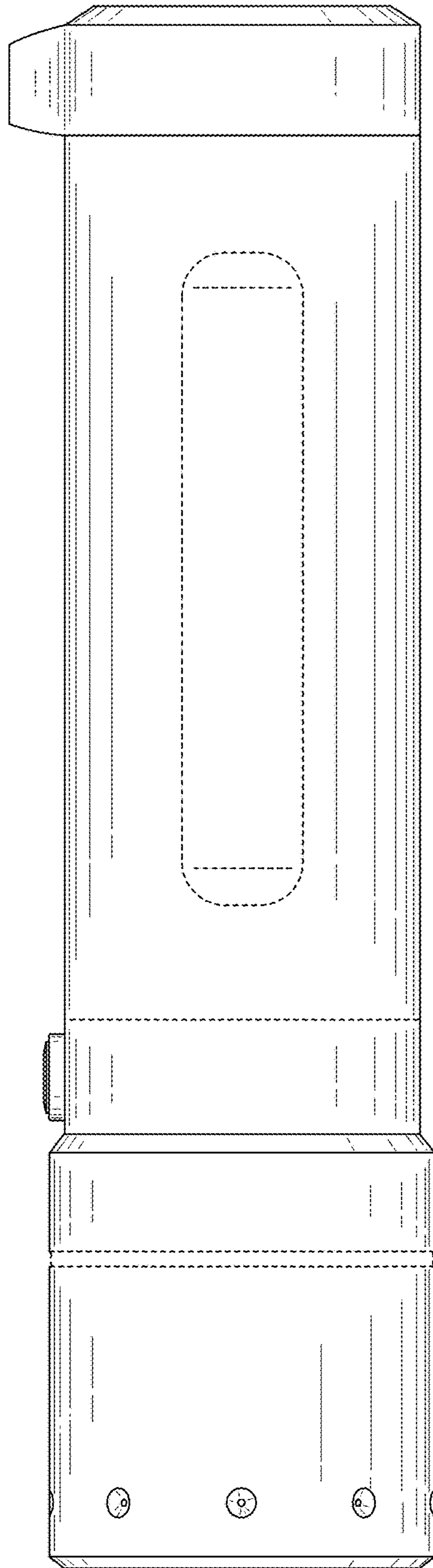


FIG. 5

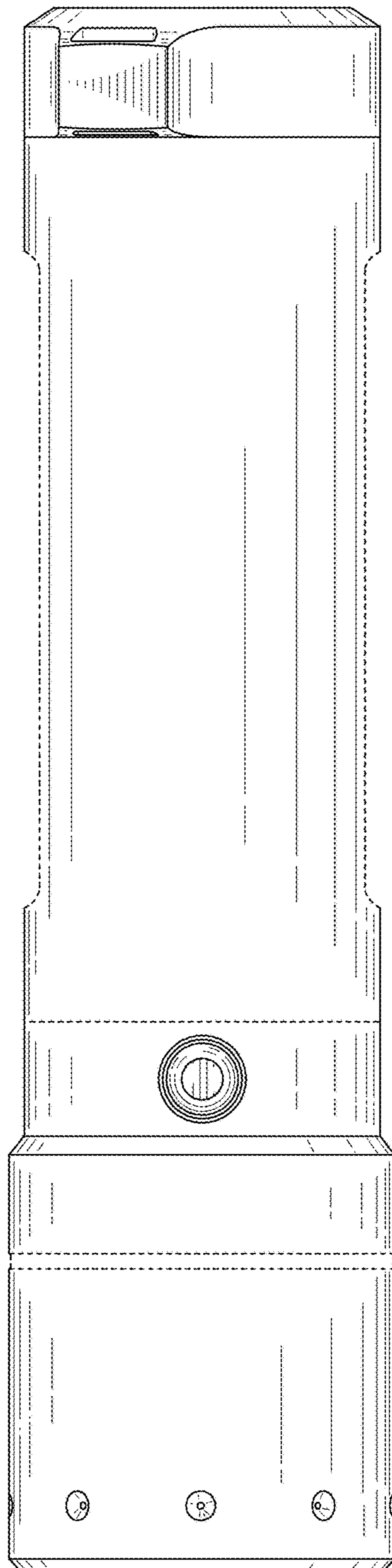


FIG. 6

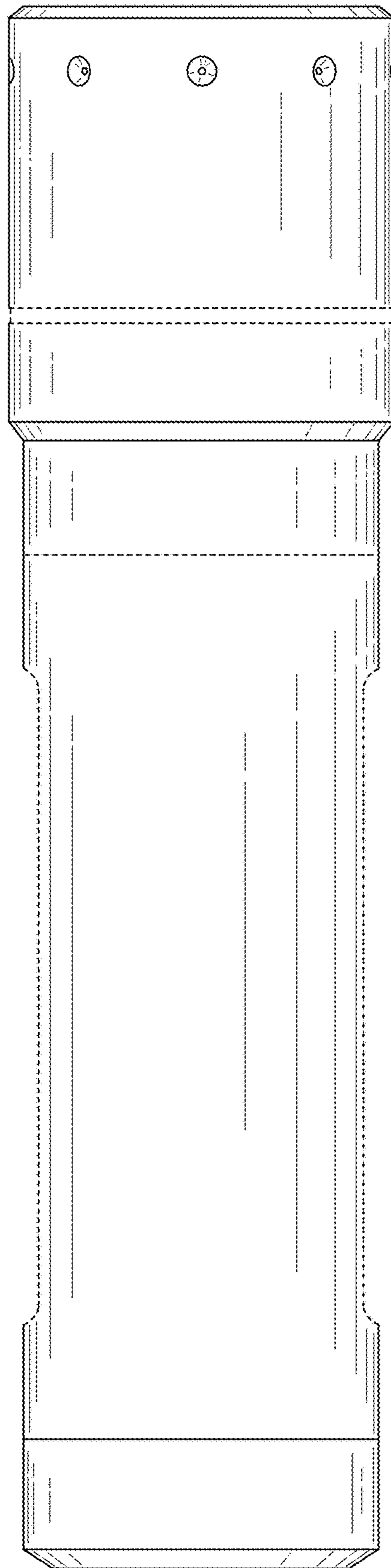


FIG. 7