



US00D823508S

(12) **United States Design Patent**
Windom et al.

(10) **Patent No.:** **US D823,508 S**
(45) **Date of Patent:** **** Jul. 17, 2018**

- (54) **FLASHLIGHT BEZEL**
- (71) Applicant: **Coast Cutlery Co.,** Portland, OR (US)
- (72) Inventors: **Gregory David Windom,** Portland, OR (US); **Hai Rong Shi,** Yangjiang (CN); **Chao Jun Ding,** Yangjiang (CN)
- (73) Assignee: **Coast Cutlery Co.,** Portland, OR (US)
- (**) Term: **15 Years**

D639,476 S *	6/2011	Robinson	D26/49
D645,592 S *	9/2011	Brands	D26/49
D649,670 S *	11/2011	Robinson	D26/49
D671,249 S *	11/2012	Sheikh	D26/38
D674,943 S *	1/2013	Sheikh	D22/117
D683,877 S *	6/2013	Brands	D26/49
D699,381 S *	2/2014	Stewart	D26/49
D713,576 S *	9/2014	Popper	D26/113
D726,945 S *	4/2015	Kunzendorf	D26/49
D732,722 S *	6/2015	Kunzendorf	D26/49
D742,048 S *	10/2015	Sheikh	D22/117
D747,024 S *	1/2016	Windom	D26/49
D750,306 S *	2/2016	Windom	D26/49

- (21) Appl. No.: **29/553,524**
- (22) Filed: **Feb. 2, 2016**
- (51) **LOC (11) Cl.** **26-02**
- (52) **U.S. Cl.**
USPC **D26/49**
- (58) **Field of Classification Search**
USPC D26/46, 49, 37, 38, 51, 113
CPC F21L 2003/00; F21L 4/00; F21L 4/005;
F21L 4/02; F21L 4/025; F21L 4/027;
F21L 4/04; F21L 4/08; F21L 2005/00;
F21L 7/00; F21L 11/00; F21L 13/00;
F21L 13/04; F21L 13/08; F21L 14/02;
F21L 17/00; F21L 19/00
See application file for complete search history.

* cited by examiner

Primary Examiner — Lakiya Rogers

Assistant Examiner — Carissa C Fitts

(74) *Attorney, Agent, or Firm* — Schwabe Williamson & Wyatt, P.C.

(57) **CLAIM**

We claim the ornamental design for a flashlight bezel, as shown and described.

DESCRIPTION

FIG. 1 is a perspective view of a focusing flashlight, showing our new design;
FIG. 2 is a bottom view thereof;
FIG. 3 is a front view thereof;
FIG. 4 is a back view thereof; and,
FIG. 5 is a top view thereof.

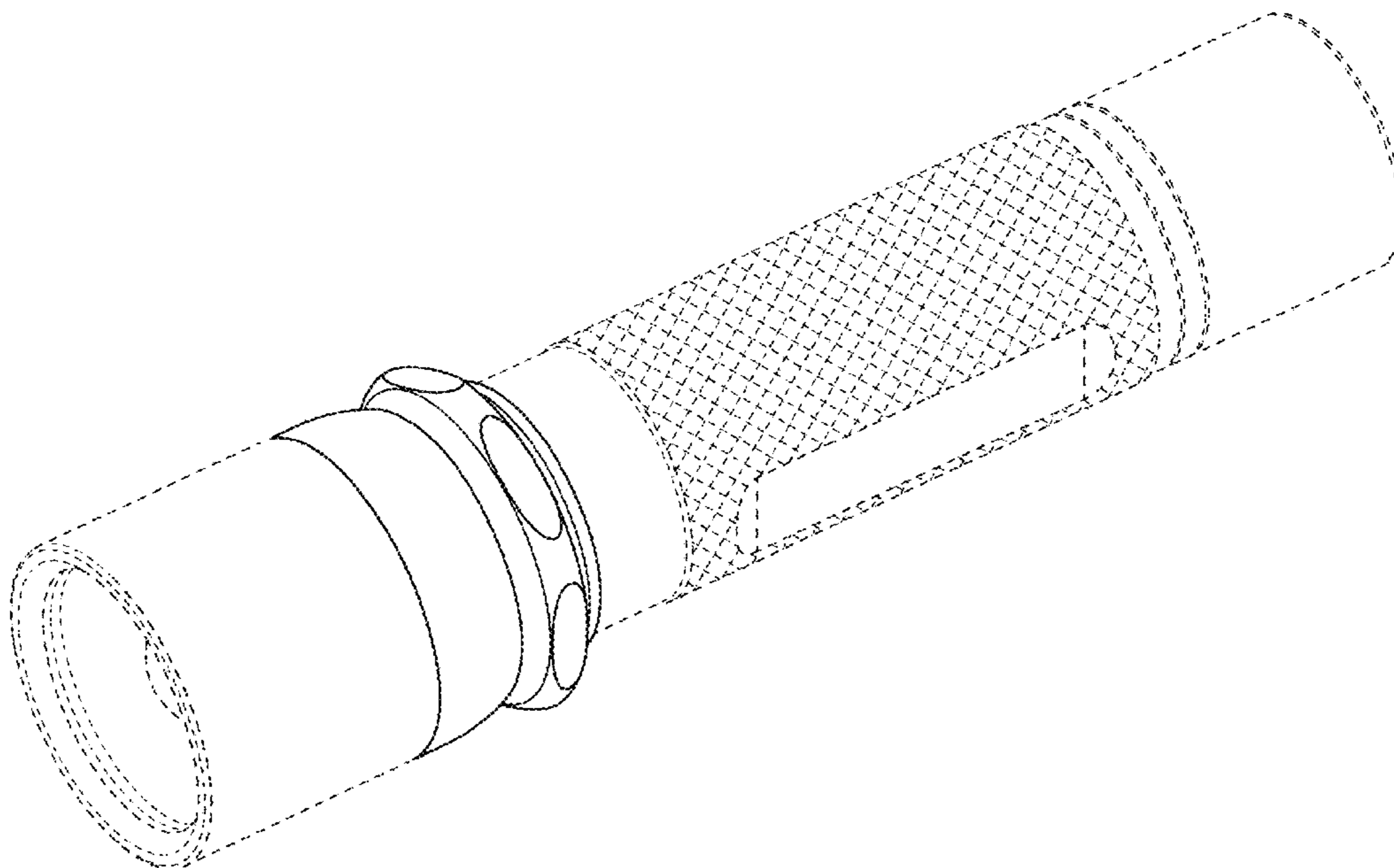
The dashed lines are included for illustrating interior and/or environmental structures and form no part of the claimed design.

(56) **References Cited**

U.S. PATENT DOCUMENTS

D324,743 S *	3/1992	Prosser	D26/113
D601,287 S *	9/2009	Caniparoli	D26/49
D629,542 S *	12/2010	Robinson	D26/49

1 Claim, 5 Drawing Sheets



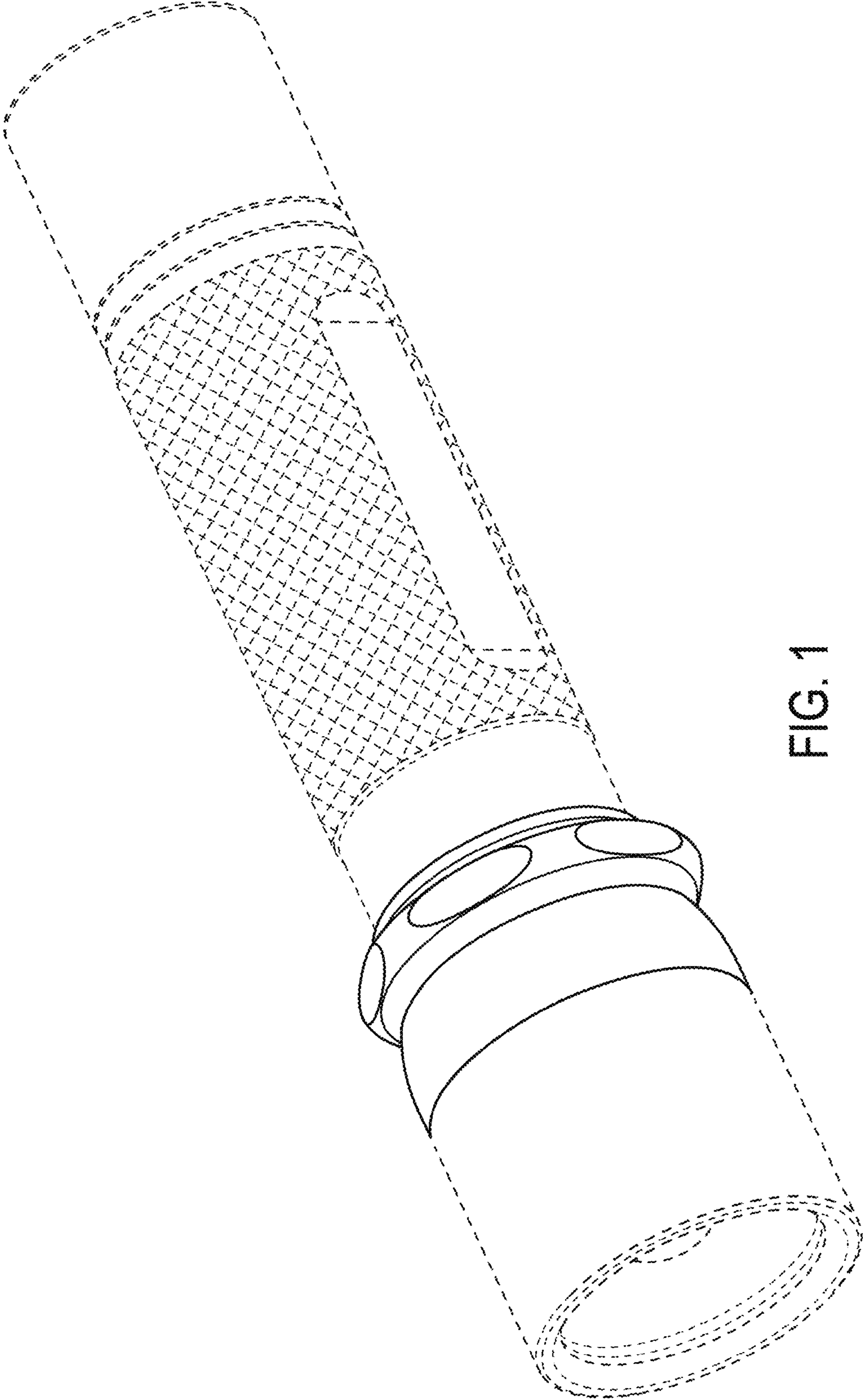


FIG. 1

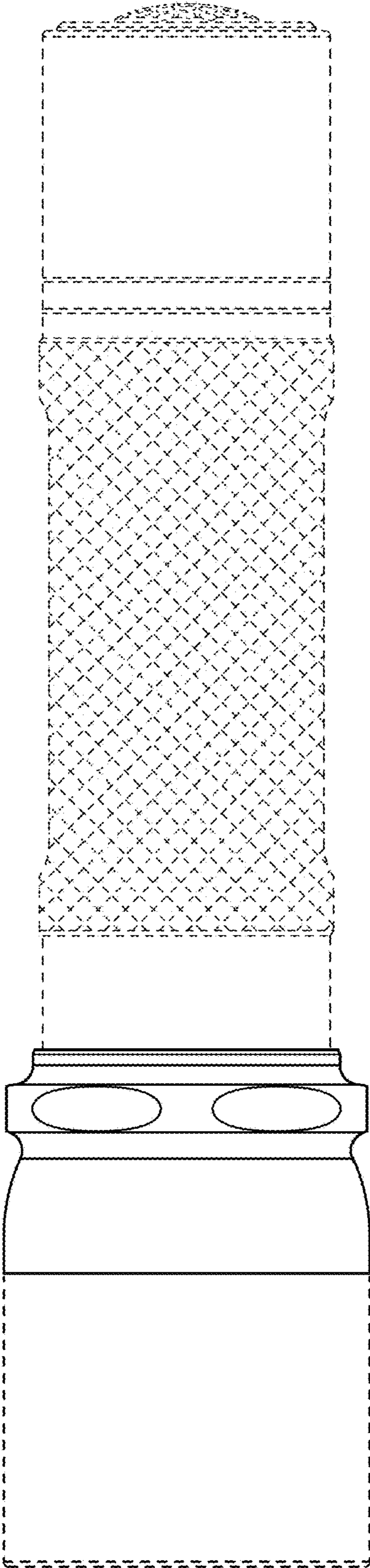


FIG. 2

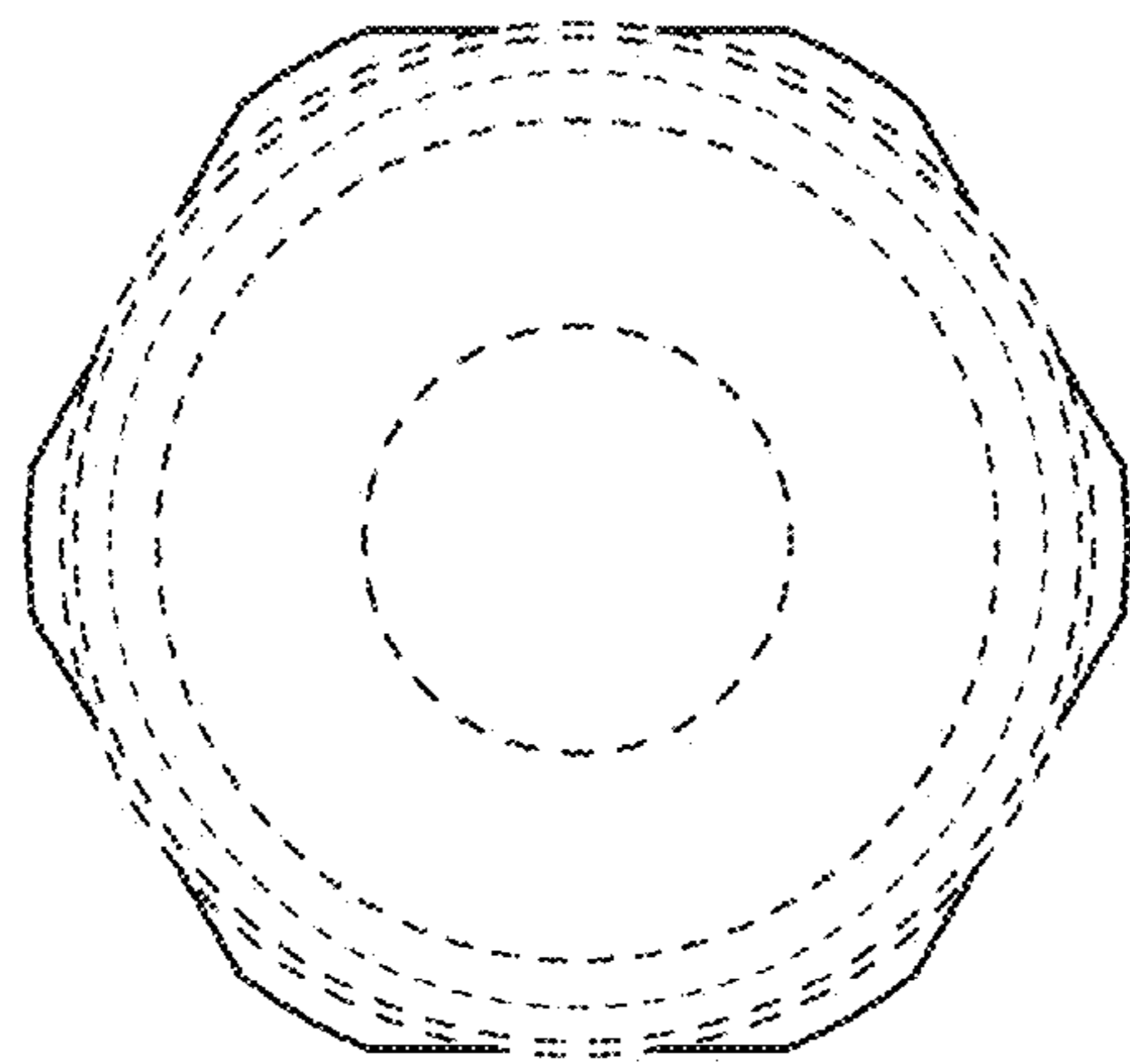


FIG. 3

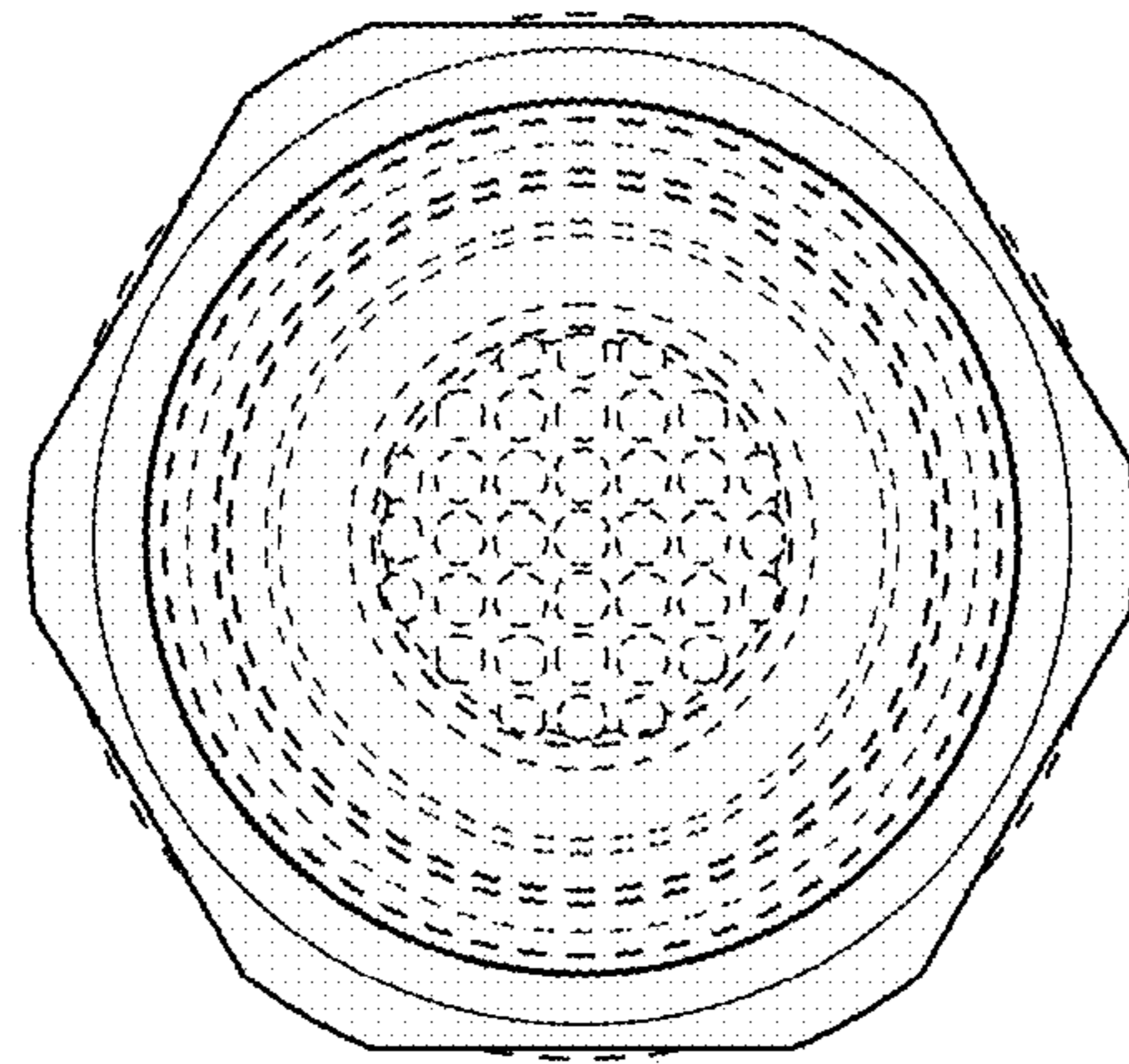


FIG. 4

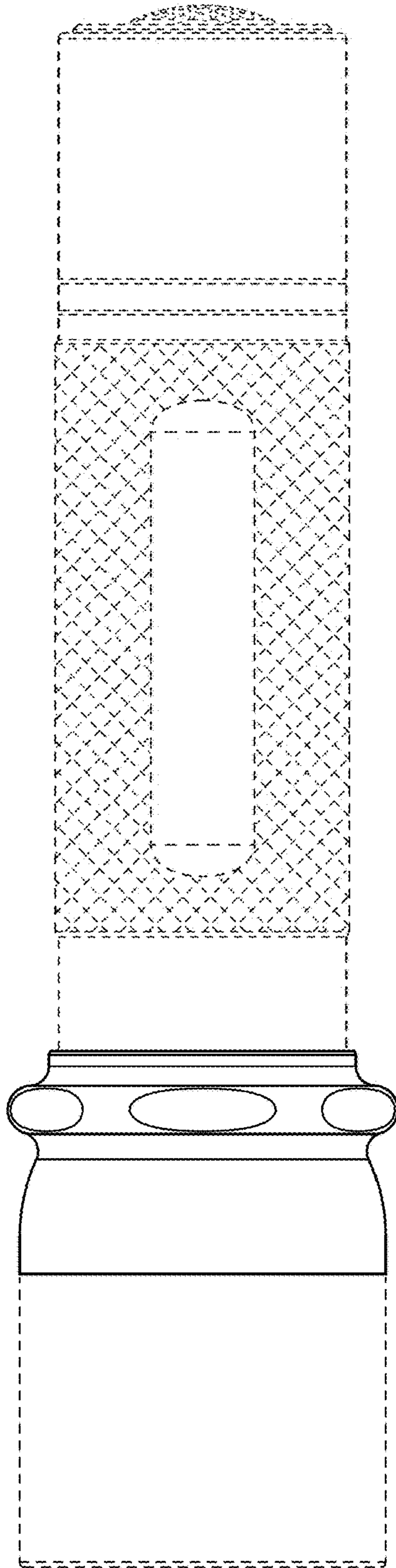


FIG. 5