



US00D823501S

(12) **United States Design Patent**  
**Kiska**

(10) **Patent No.:** **US D823,501 S**

(45) **Date of Patent:** **\*\* Jul. 17, 2018**

- (54) **MOTORCYCLE LIGHT**
- (71) Applicant: **KTM AG**, Mattighofen (AT)
- (72) Inventor: **Gerald Kiska**, Anif-Salzburg (AT)
- (73) Assignee: **KTM AG**, Mattighofen (AT)
- (\*\*) Term: **15 Years**
- (21) Appl. No.: **29/602,825**
- (22) Filed: **May 3, 2017**
- (51) **LOC (11) Cl.** ..... **26-06**
- (52) **U.S. Cl.**  
USPC ..... **D26/28**
- (58) **Field of Classification Search**  
USPC ..... D26/28-36; 362/80-83, 267-269,  
362/459-468, 475-478, 485-487  
CPC ..... F21S 48/00; F21S 48/10; F21S 48/115;  
F21S 48/1233; F21S 48/1266; F21S  
48/1388; F21S 48/2268; F21V 21/04;  
B60Q 9/13; B60Q 9/135; B60Q 9/1375  
See application file for complete search history.

- D638,151 S \* 5/2011 Hung ..... D26/28
- D713,072 S \* 9/2014 Phutrakool ..... D26/28
- D742,566 S \* 11/2015 Kuriki ..... D26/28
- D752,251 S \* 3/2016 Tsukui ..... D26/28
- D780,354 S \* 2/2017 Futamata ..... D26/28

\* cited by examiner

*Primary Examiner* — Marcus Jackson

(74) *Attorney, Agent, or Firm* — Lewis Roca Rothgerber  
Christie LLP

(56) **References Cited**

**U.S. PATENT DOCUMENTS**

- D596,767 S \* 7/2009 Idei ..... D26/28
- D617,020 S \* 6/2010 Ishiguri ..... D26/28

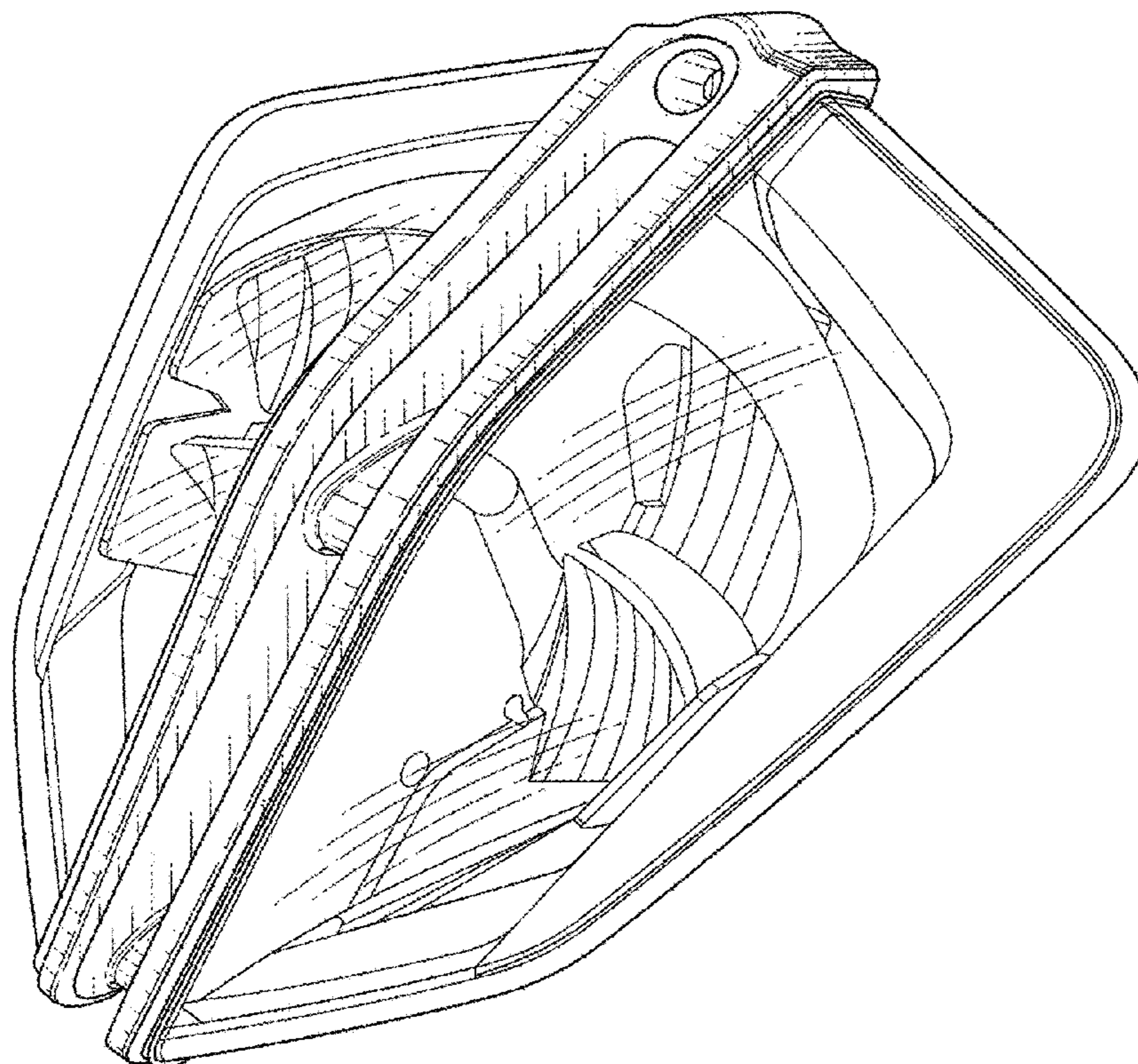
(57) **CLAIM**

The ornamental design for motorcycle light, as shown and described.

**DESCRIPTION**

FIG. 1 is a front-left perspective view of the motorcycle light;  
 FIG. 2 is a front view thereof;  
 FIG. 3 is a back view thereof;  
 FIG. 4 is a right side view thereof;  
 FIG. 5 is a left side view thereof;  
 FIG. 6 is a top view thereof; and,  
 FIG. 7 is a bottom view thereof.

**1 Claim, 7 Drawing Sheets**



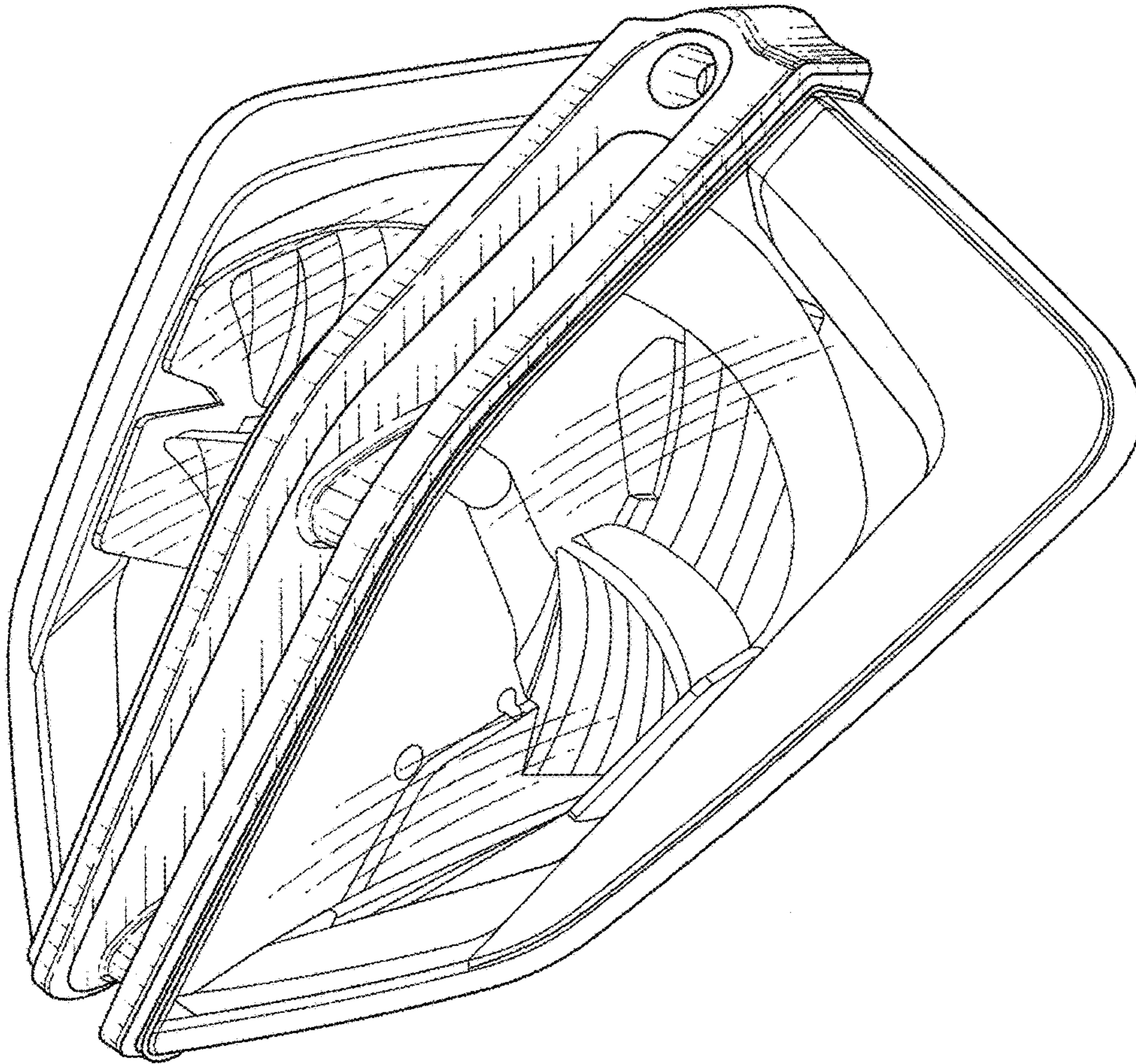


FIG. 1



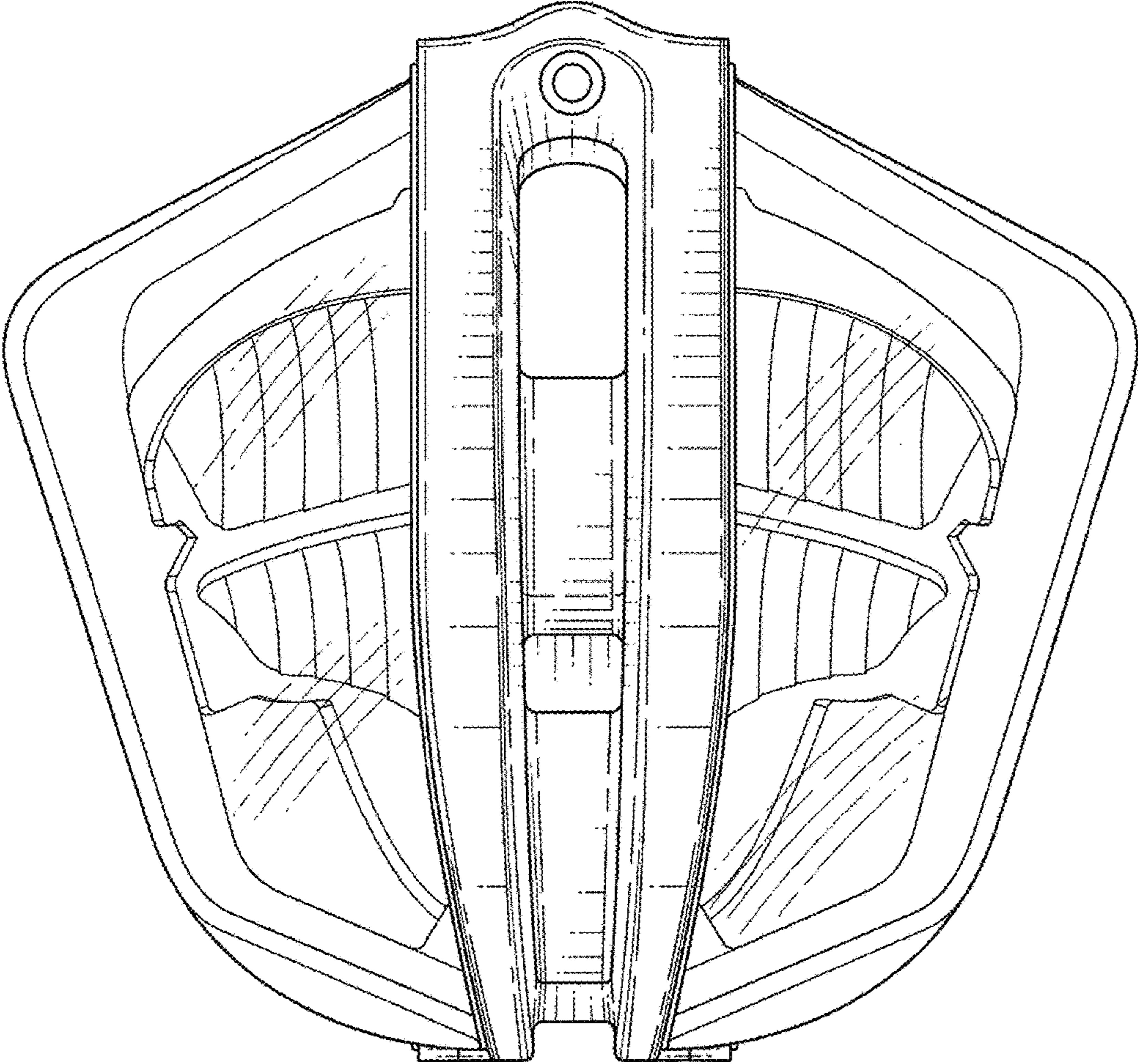


FIG. 2

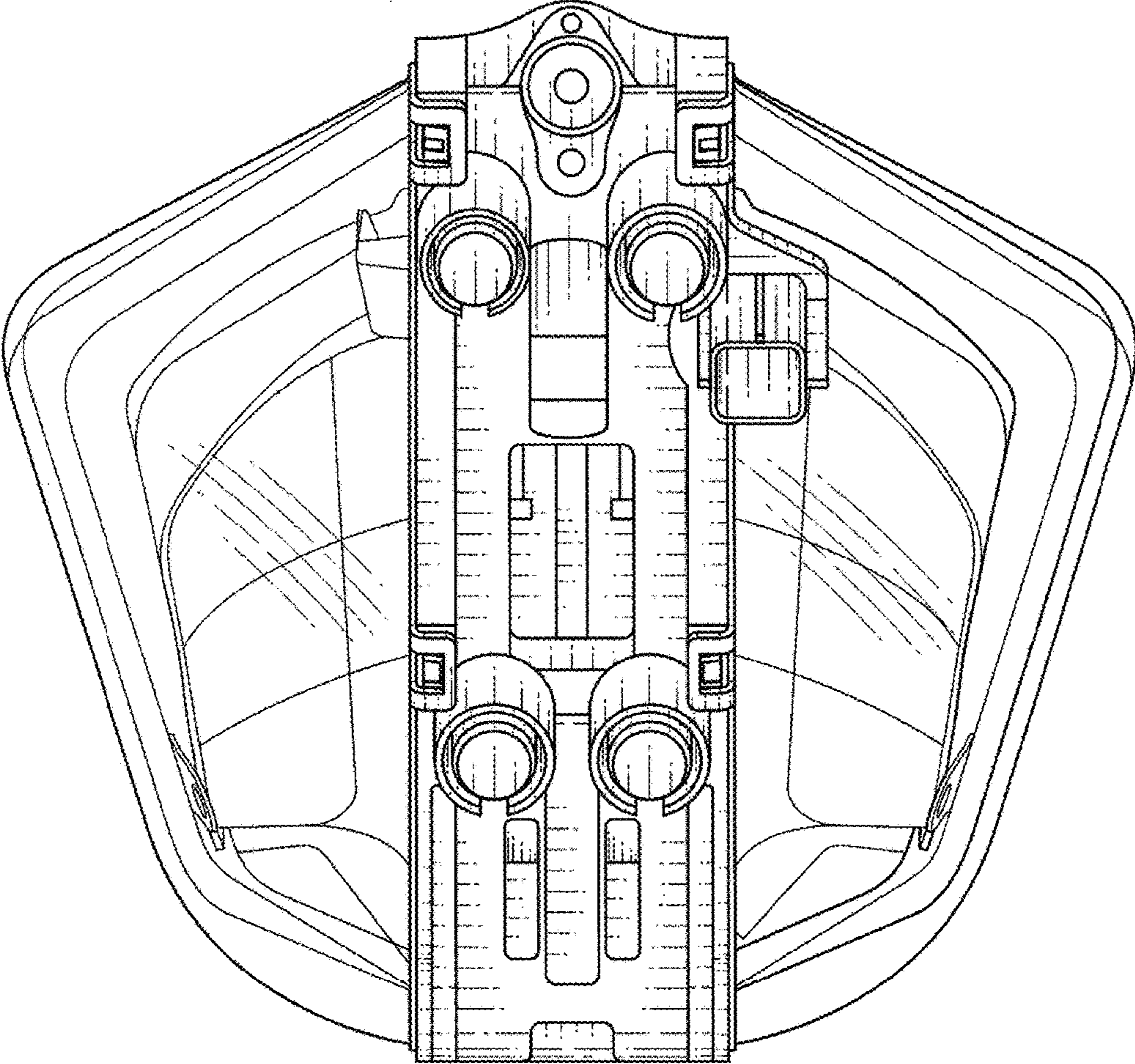


FIG. 3

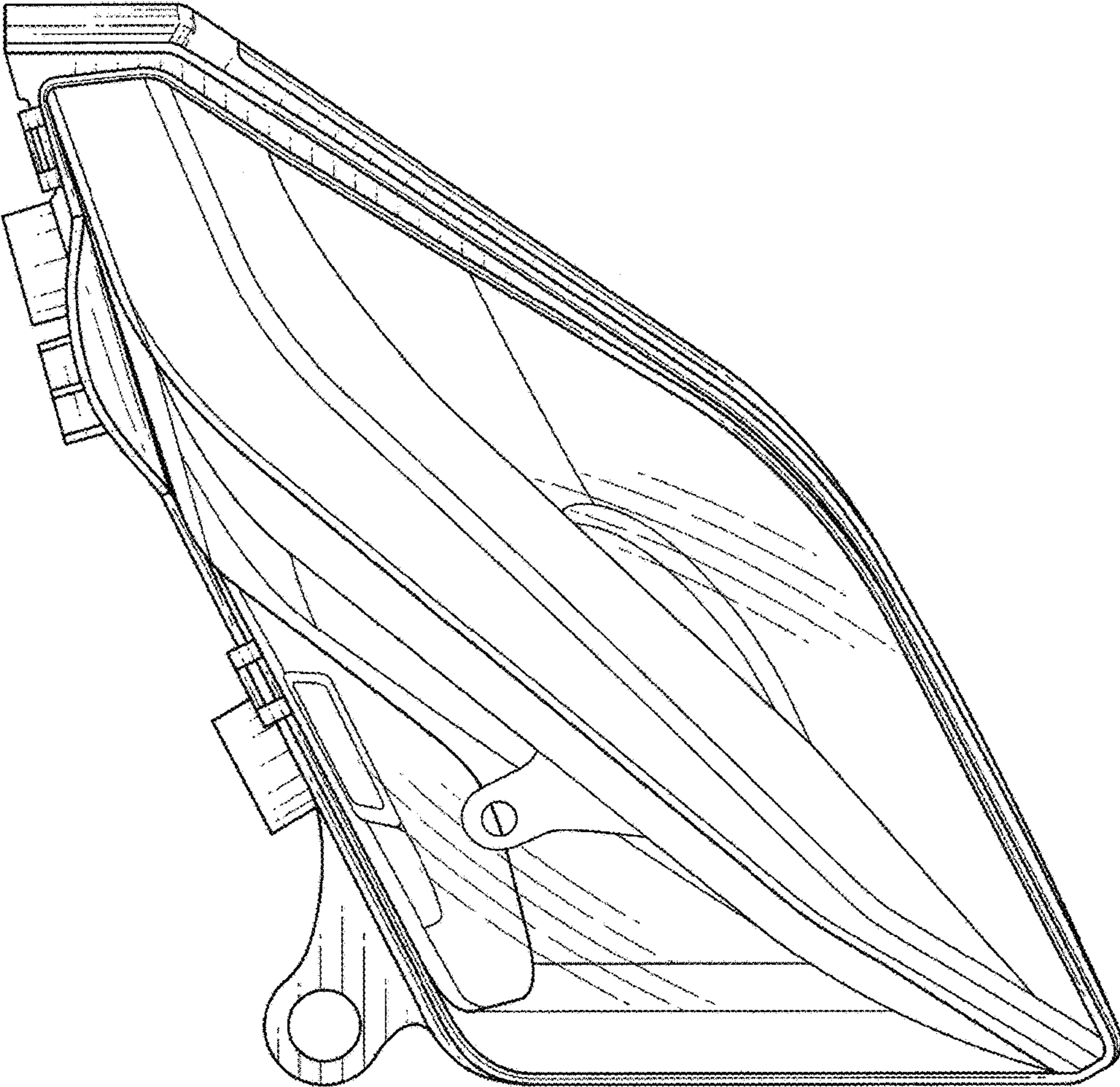


FIG. 4



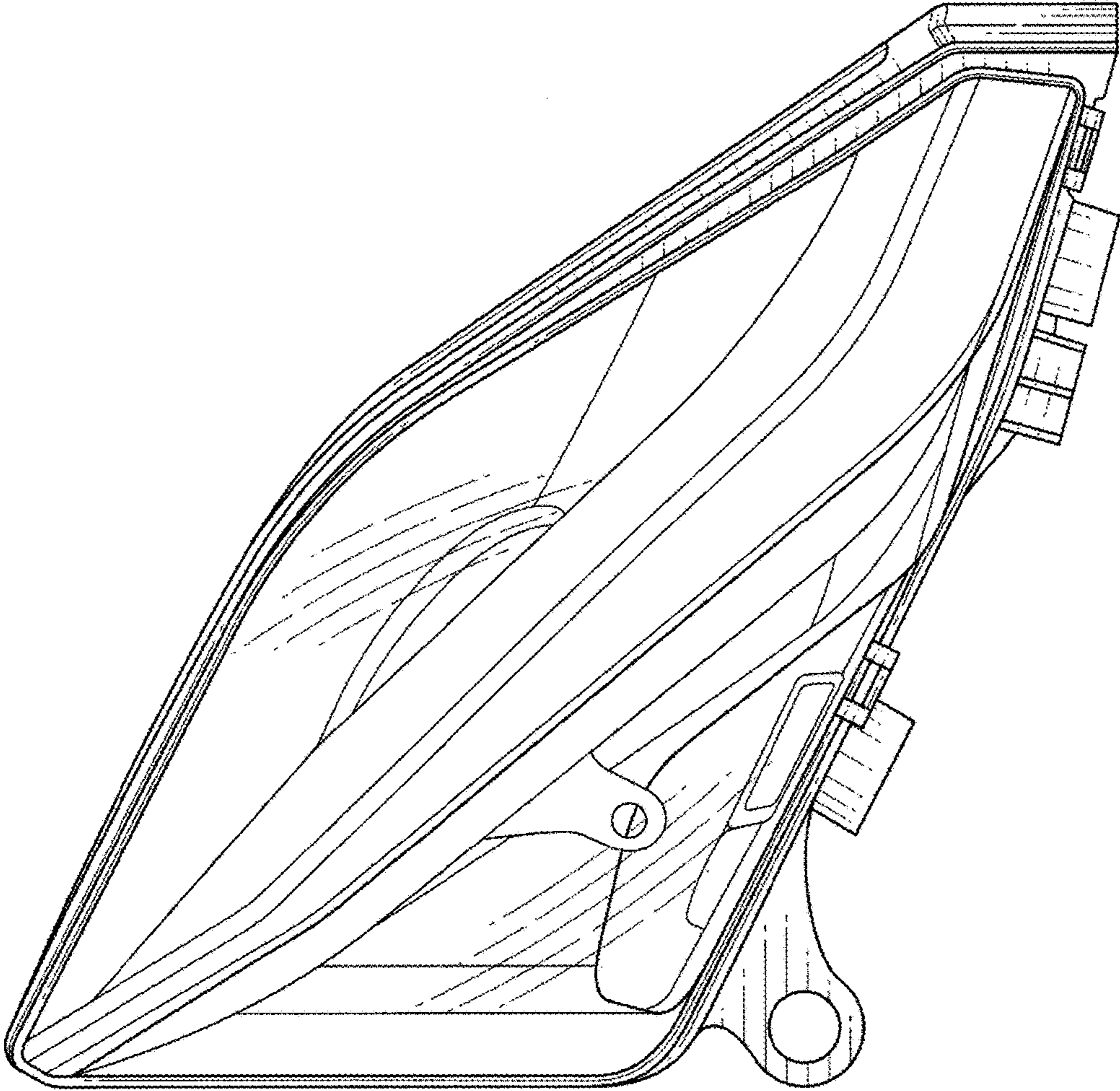


FIG. 5

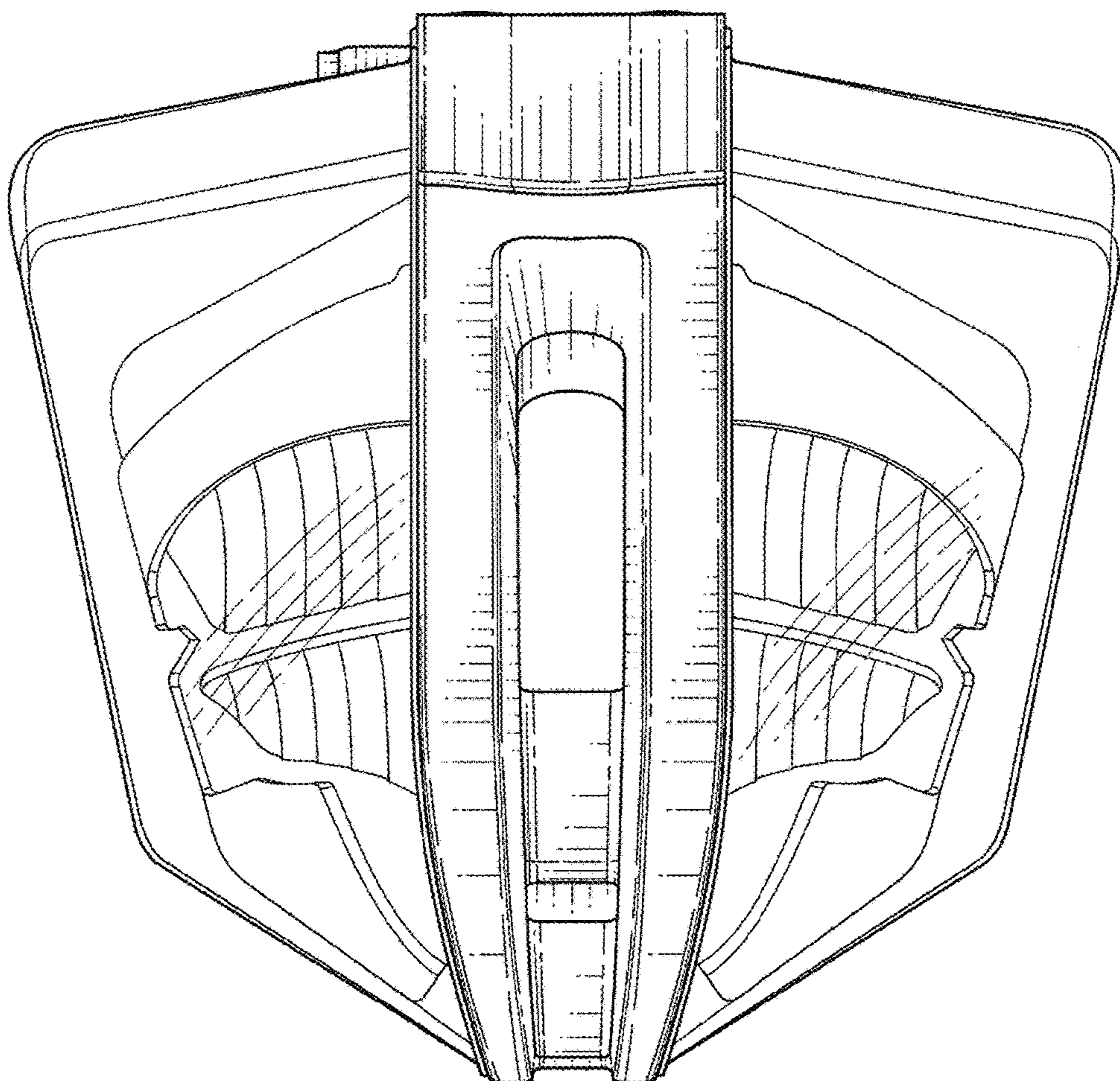


FIG. 6

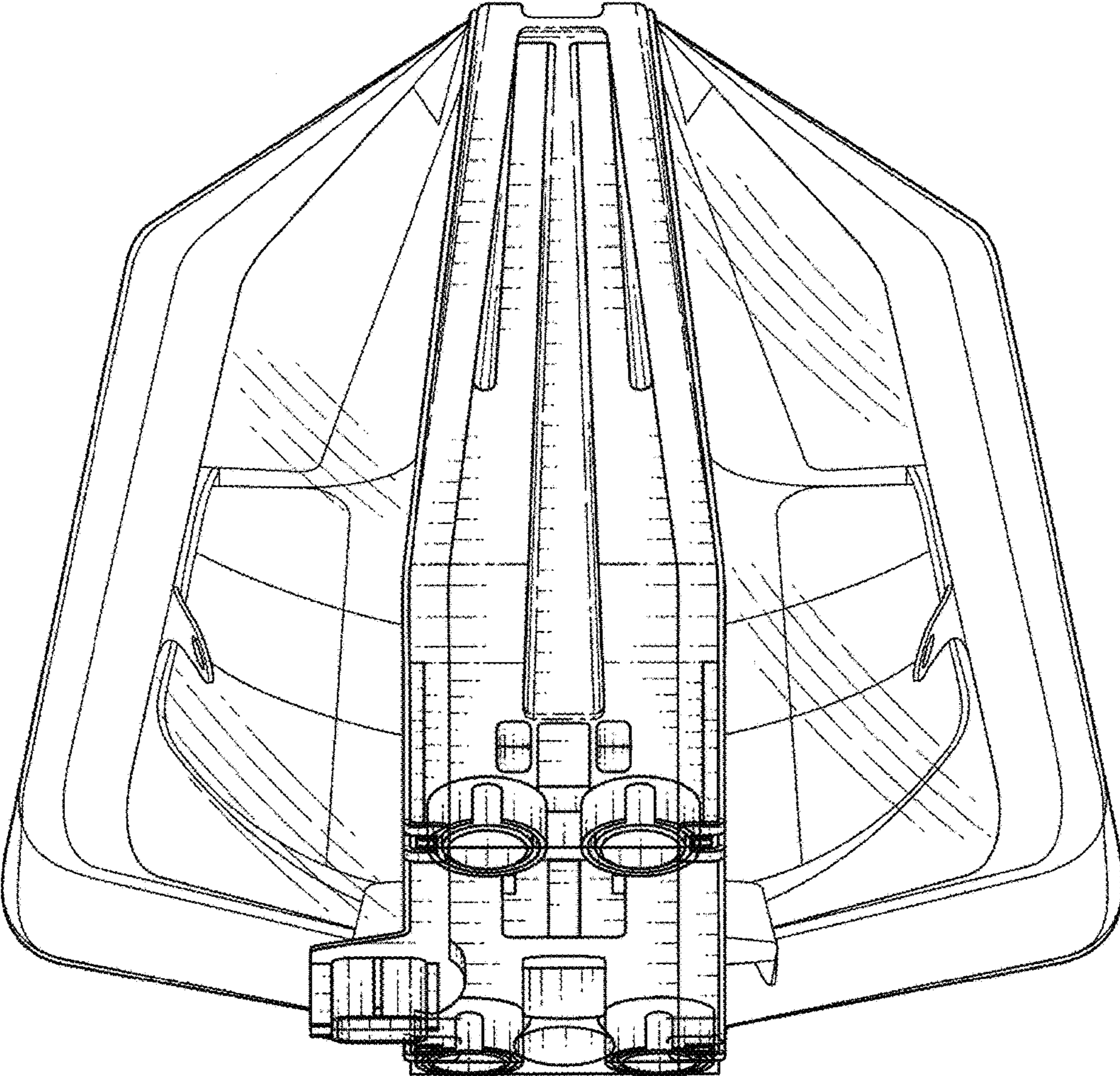


FIG. 7