



US00D823498S

(12) **United States Design Patent** (10) **Patent No.:** **US D823,498 S**
Bucher et al. (45) **Date of Patent:** **** Jul. 17, 2018**

(54) **VEHICLE HEADLIGHT**
(71) Applicant: **Ford Global Technologies, LLC**,
Dearborn, MI (US)
(72) Inventors: **George Bucher**, Dearborn, MI (US);
James Grake, Beverly Hills, MI (US);
Steven Gilmore, Farmington Hills, MI
(US)
(73) Assignee: **Ford Global Technologies, LLC**,
Dearborn, MI (US)

(**) Term: **15 Years**

(21) Appl. No.: **29/593,060**

(22) Filed: **Feb. 6, 2017**

(51) **LOC (11) Cl.** **26-07**

(52) **U.S. Cl.**
USPC **D26/28**

(58) **Field of Classification Search**
USPC D26/28-36; 362/459-468, 475-478,
362/485-487
CPC F21S 48/00; F21S 48/10; F21S 48/115;
F21S 48/225; F21S 48/1233; F21S
48/1266; F21S 48/1388; F21S 48/2268;
F21V 21/04
See application file for complete search history.

(56) **References Cited**

U.S. PATENT DOCUMENTS

D490,170 S * 5/2004 Metros D26/28
D502,561 S * 3/2005 Metros D26/28
D552,273 S * 10/2007 Gresens D26/28
D559,413 S 1/2008 Schiavone et al.

D566,868 S * 4/2008 Opfer D26/28
D573,732 S * 7/2008 Suzuki D26/28
D657,900 S * 4/2012 Sasaki D26/28
D694,443 S * 11/2013 Mackay D26/28
D694,921 S * 12/2013 Mackay D26/28
D735,915 S 8/2015 Grake et al.
D735,916 S 8/2015 Grake et al.
D747,019 S * 1/2016 Behmer D26/28
D750,291 S * 2/2016 Platto D26/28
D768,895 S * 10/2016 Platto D26/28
D771,851 S * 11/2016 Platto D26/28
D775,747 S * 1/2017 Curic D26/28

* cited by examiner

Primary Examiner — Angela J Lee

(74) *Attorney, Agent, or Firm* — James Dottavio

(57) **CLAIM**

The ornamental design for vehicle headlight, as shown and described.

DESCRIPTION

FIG. 1 is a top front perspective view of the first embodiment of a vehicle headlight, showing our new design; FIG. 2 is a bottom front perspective view thereof; FIG. 3 is a top rear inside perspective view thereof; FIG. 4 is a front elevational view thereof; FIG. 5 is a rear elevational view thereof; FIG. 6 is a left side elevational view thereof; FIG. 7 is a right side elevational view thereof; FIG. 8 is a top plan view thereof; and, FIG. 9 is a bottom plan view thereof. The second embodiment of the vehicle headlight is mirror image of the embodiment disclosed in FIGS. 1 through 9, and is not shown.

1 Claim, 9 Drawing Sheets

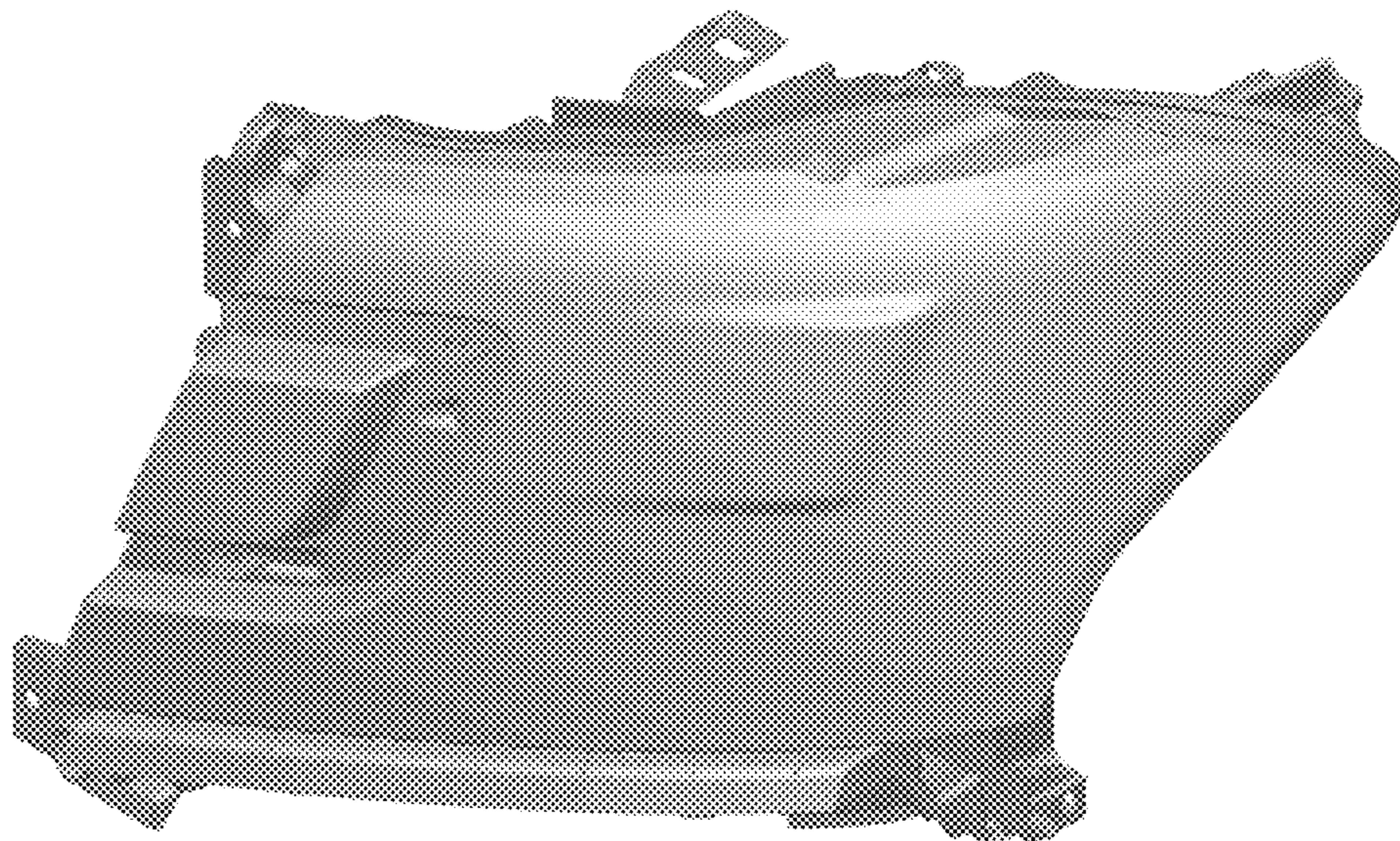




Figure 1

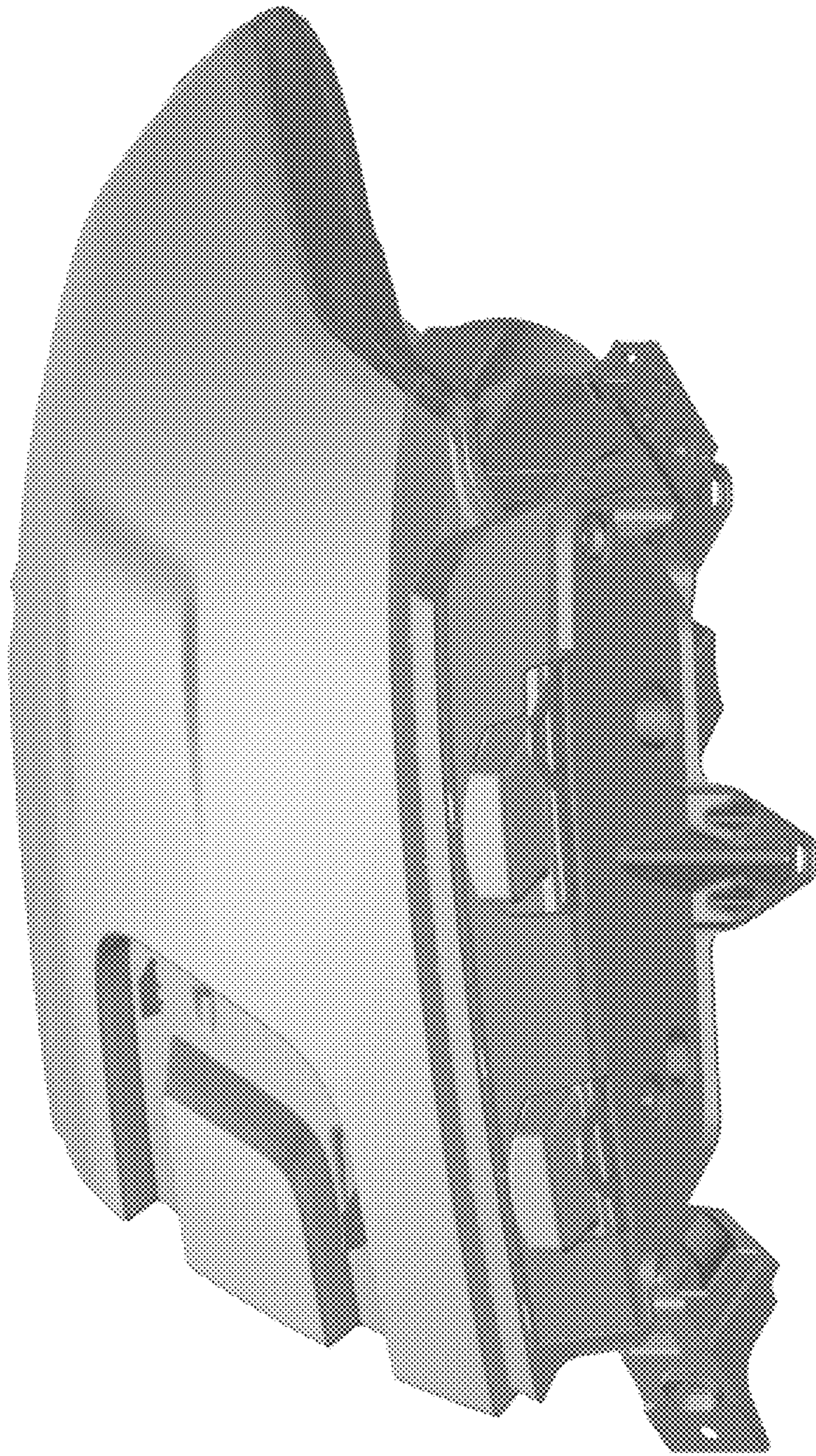


Figure 2

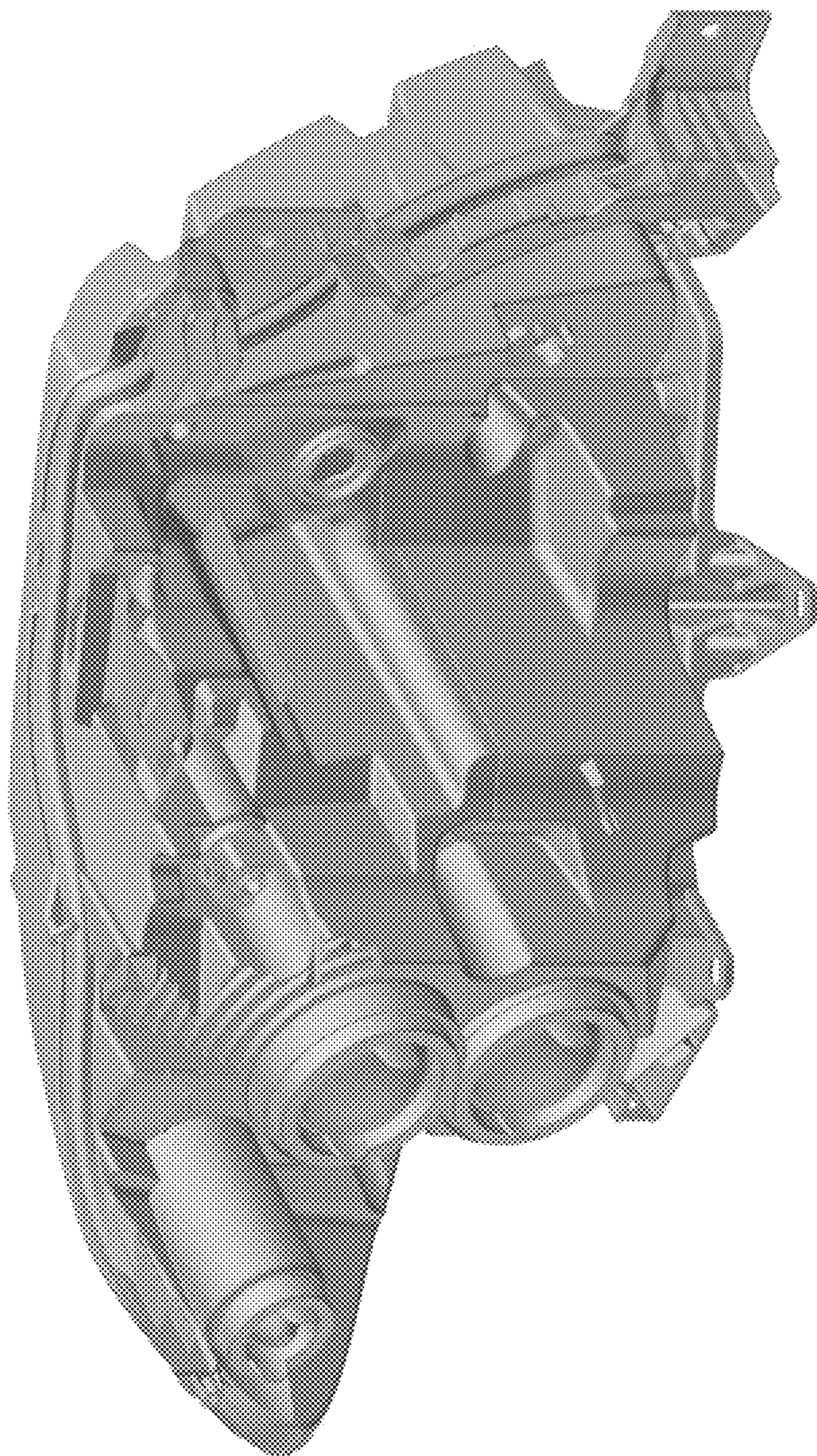


Figure 3

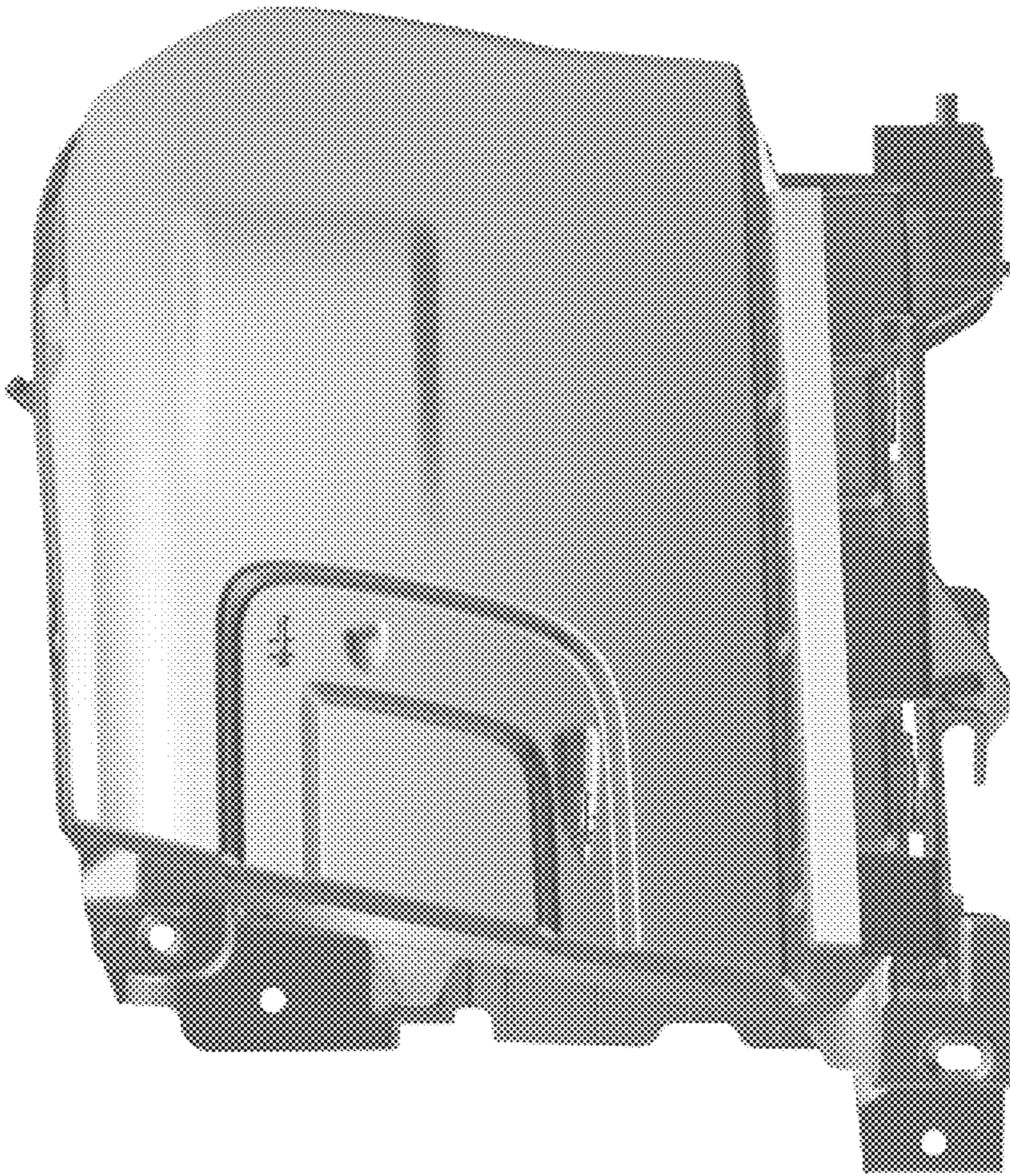


Figure 4

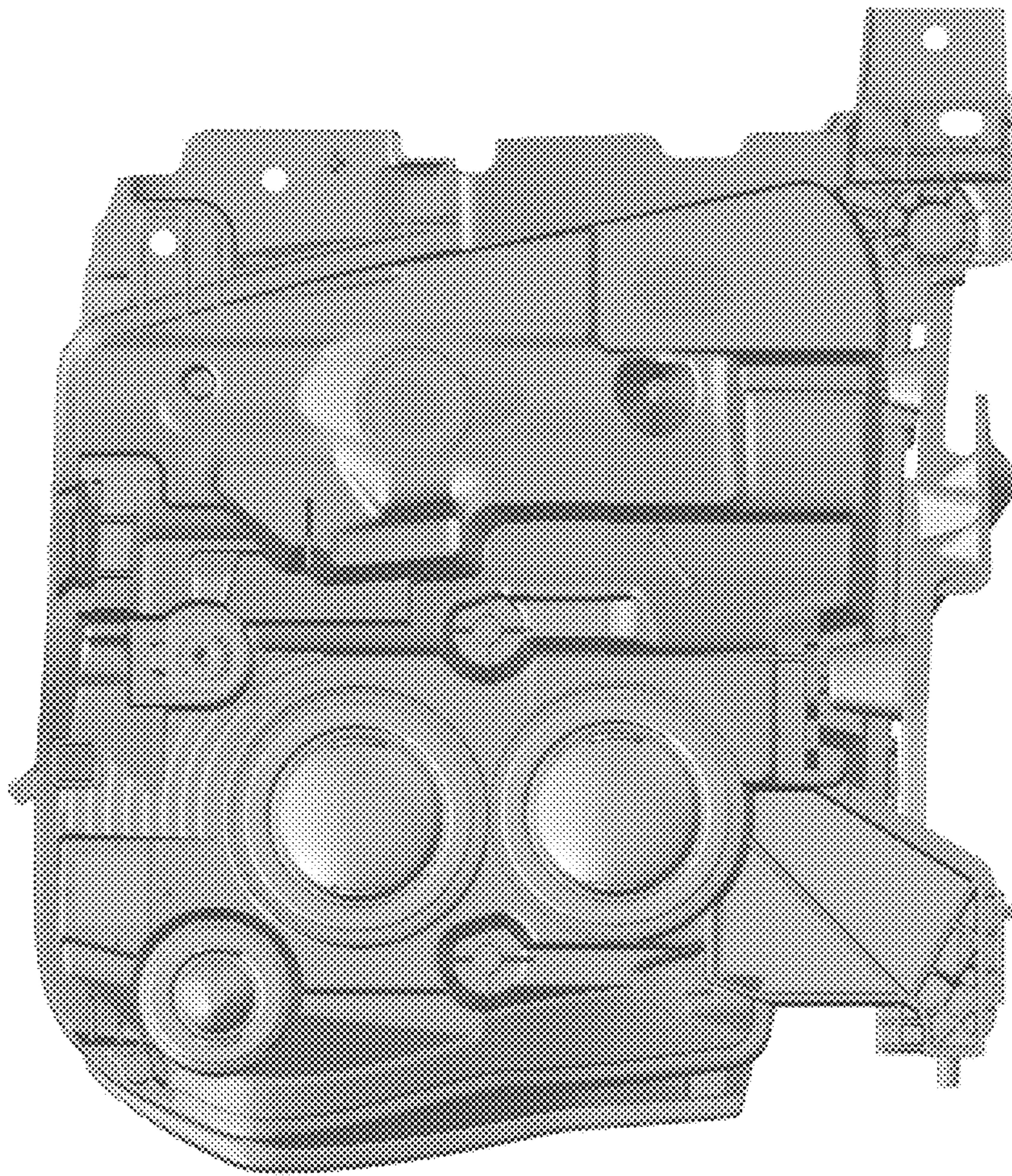


Figure 5

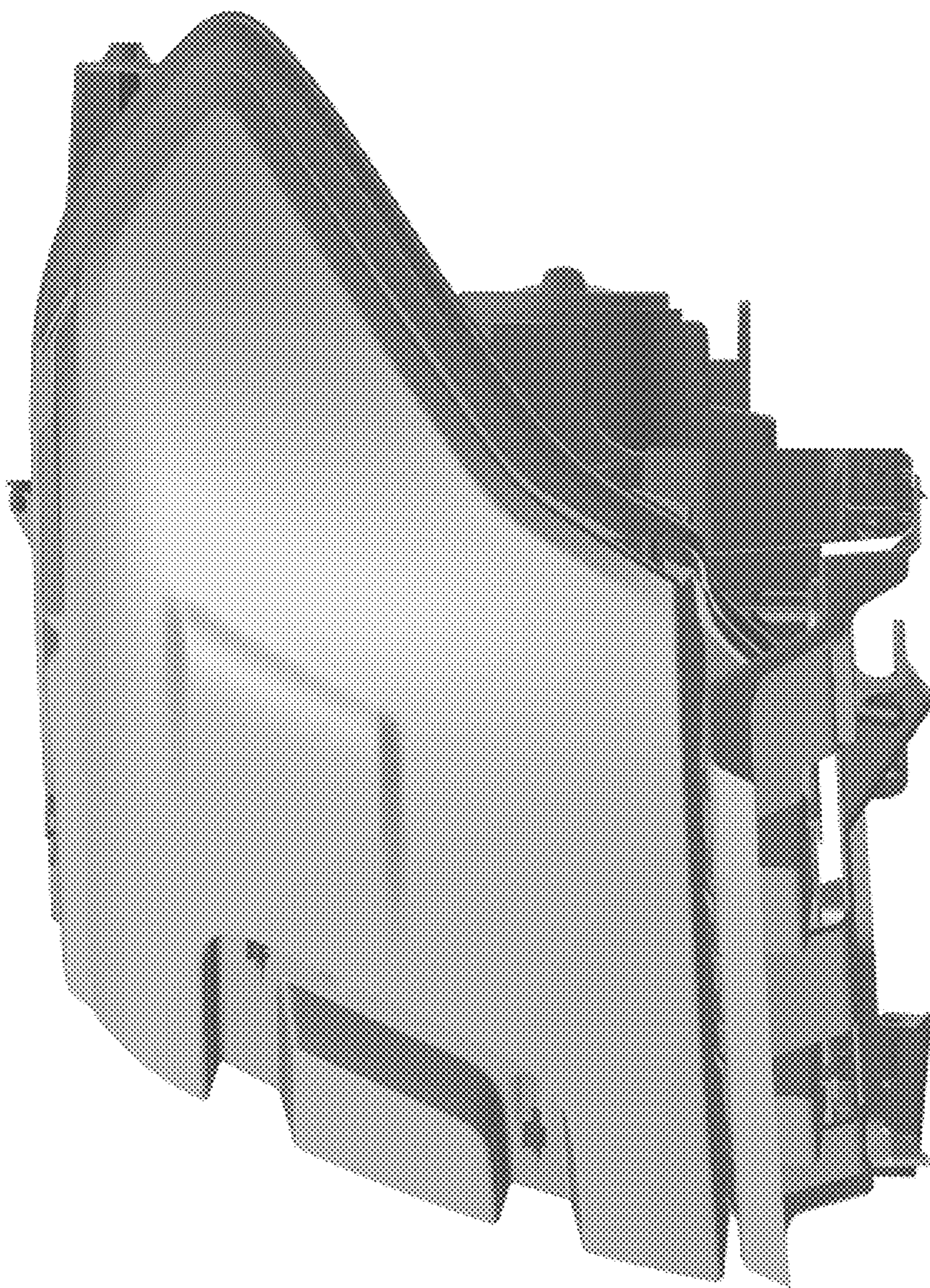


Figure 6

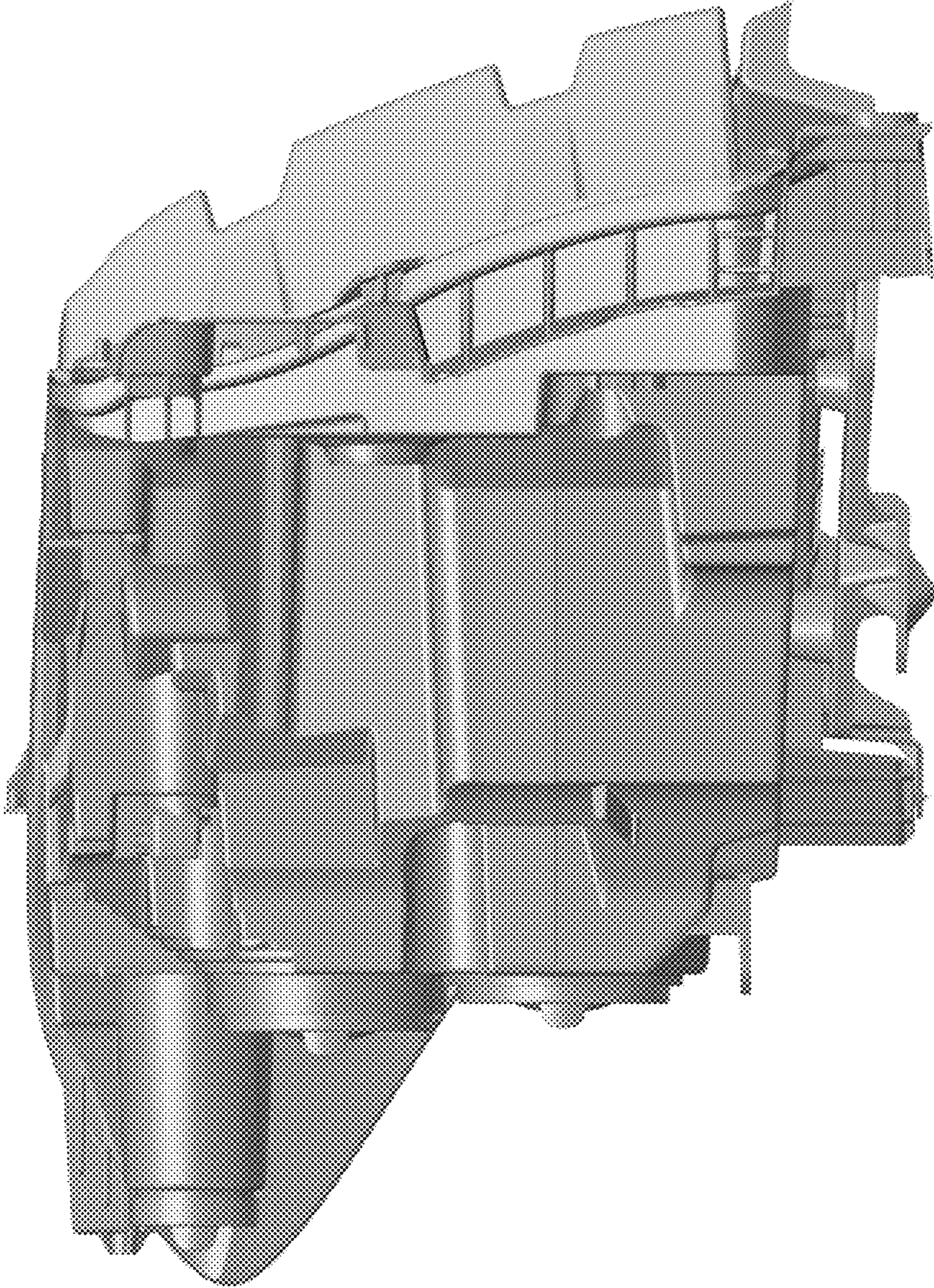


Figure 7

Figure 8

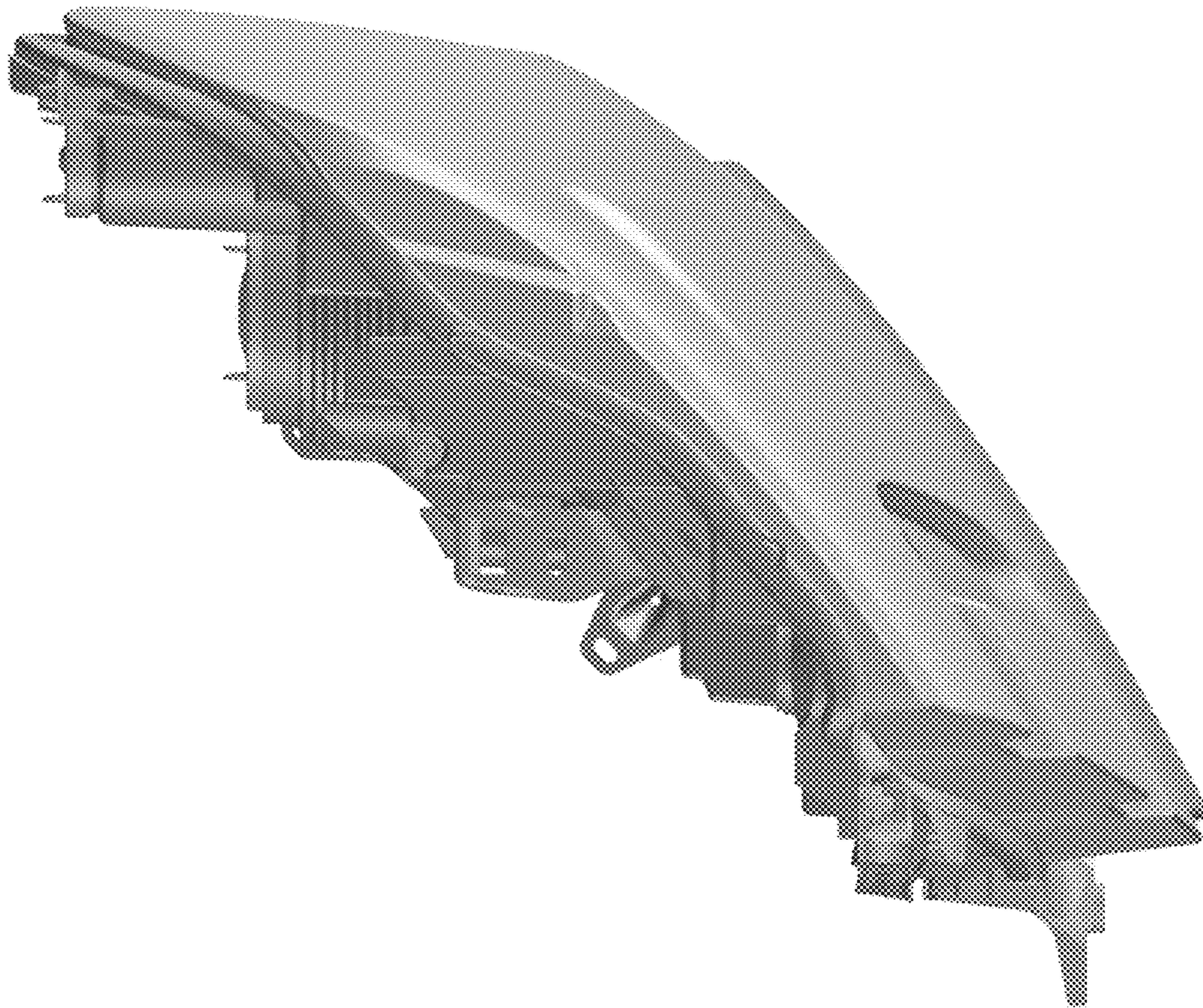


Figure 9

