



US00D823497S

(12) **United States Design Patent**
Kim

(10) **Patent No.:** **US D823,497 S**
(45) **Date of Patent:** **** Jul. 17, 2018**

(54) **REAR COMBINATION LAMP**
(71) Applicant: **GM GLOBAL TECHNOLOGY OPERATIONS LLC**, Detroit, MI (US)
(72) Inventor: **Heecheol Kim**, Incheon (KR)
(73) Assignee: **GM GLOBAL TECHNOLOGY OPERATIONS LLC**, Detroit, MI (US)

D595,880 S * 7/2009 Lamm D26/28
D601,283 S * 9/2009 Kumai D26/28
D604,874 S * 11/2009 Golden D26/28
D735,911 S * 8/2015 O'Donnell D26/28
D743,064 S * 11/2015 Lai D26/28
D744,678 S * 12/2015 Lai D26/28
D745,725 S * 12/2015 McMahan D26/28
D749,246 S * 2/2016 Thole D26/28
D749,252 S * 2/2016 Nakahara D26/28
D750,292 S * 2/2016 Platto D26/28
D761,458 S * 7/2016 Chung D26/28

(**) Term: **15 Years**
(21) Appl. No.: **29/572,510**
(22) Filed: **Jul. 28, 2016**

* cited by examiner
Primary Examiner — Angela J Lee
(74) *Attorney, Agent, or Firm* — Browdy and Neimark, P.L.L.C.

(30) **Foreign Application Priority Data**
Feb. 12, 2016 (KR) 30-2016-0006600
(51) **LOC (11) Cl.** **26-07**
(52) **U.S. Cl.**
USPC **D26/28**
(58) **Field of Classification Search**
USPC D26/28-36; 362/459-468, 475-478,
362/485-487
CPC F21S 48/00; F21S 48/10; F21S 48/115;
F21S 48/225; F21S 48/1233; F21S
48/1266; F21S 48/1388; F21S 48/2268;
F21V 21/04
See application file for complete search history.

(57) **CLAIM**
The ornamental design for a rear combination lamp, as shown and described.

(56) **References Cited**
U.S. PATENT DOCUMENTS
D497,016 S * 10/2004 Wu D26/28
D595,879 S * 7/2009 Lamm D26/28

DESCRIPTION
FIG. 1 is a perspective view of the new design for a rear combination lamp showing a first (left) embodiment; FIG. 2 is a front elevation view thereof; FIG. 3 is a rear elevation view thereof; FIG. 4 is a left side elevation view thereof; FIG. 5 is a right side elevation view thereof; FIG. 6 is a top plan view thereof; and, FIG. 7 is a bottom plan view thereof.
A second (right) embodiment is a mirror image of the embodiment shown in FIGS. 1-7 and is not shown.

1 Claim, 4 Drawing Sheets

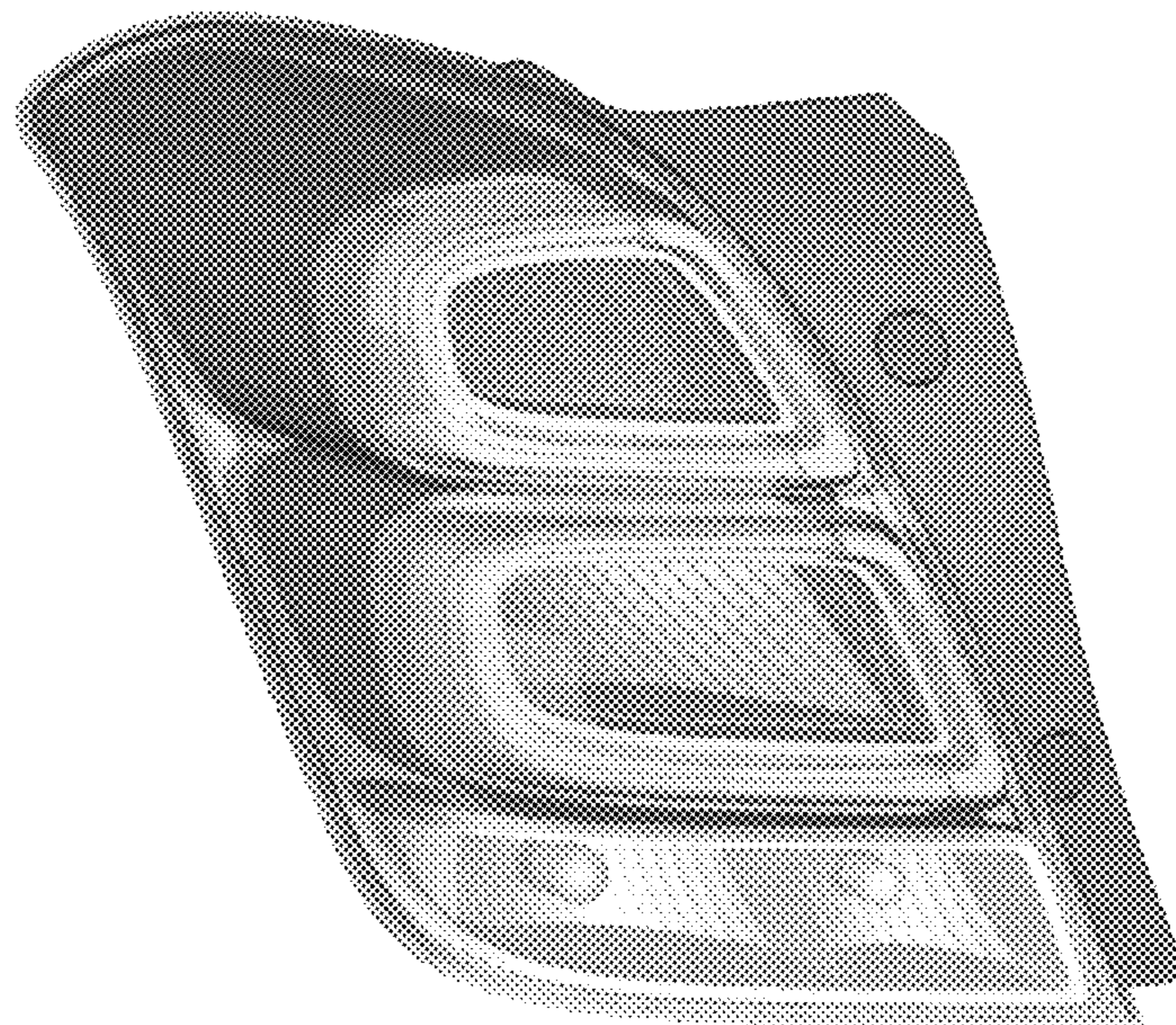


Fig. 1

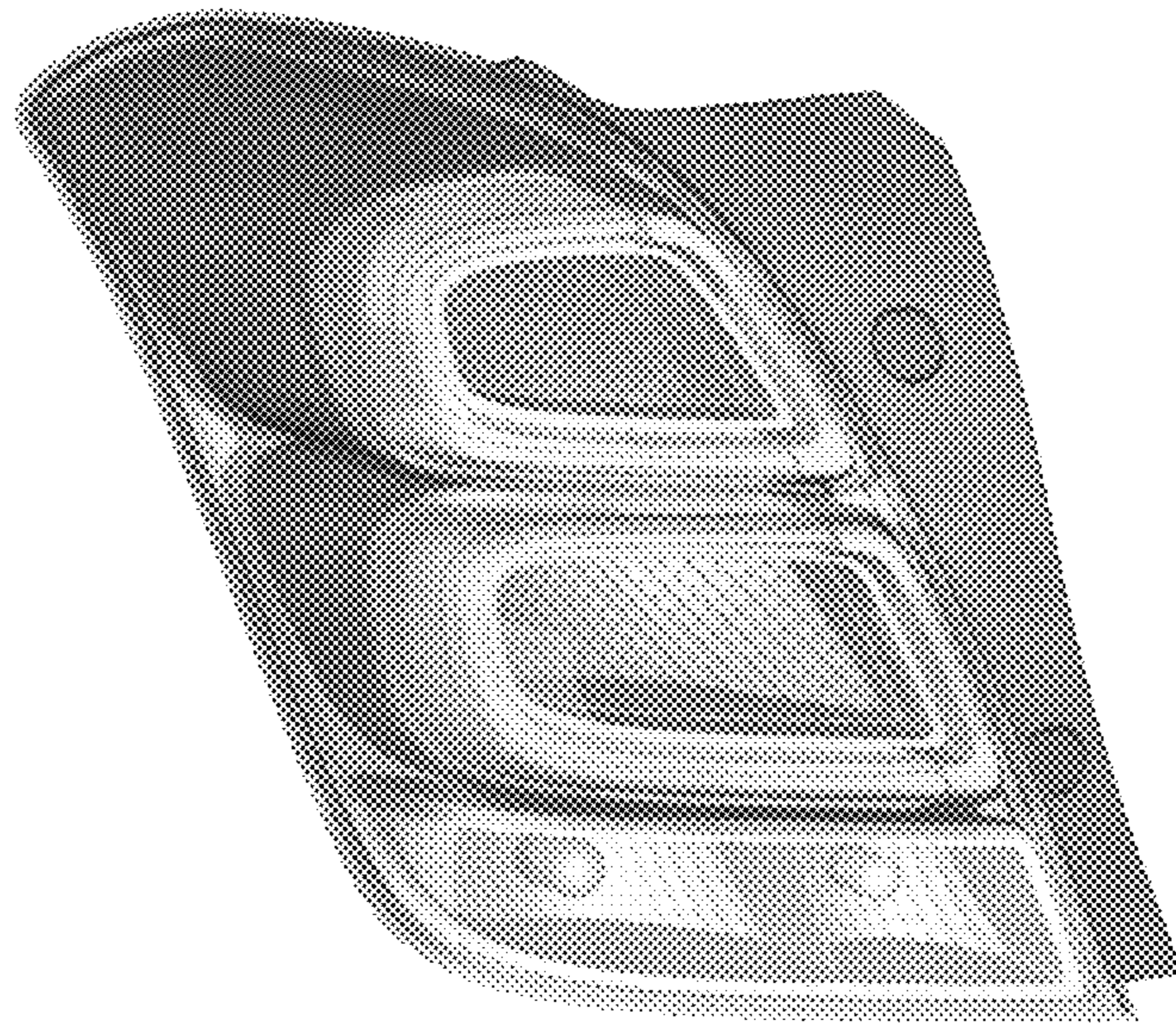


Fig. 2

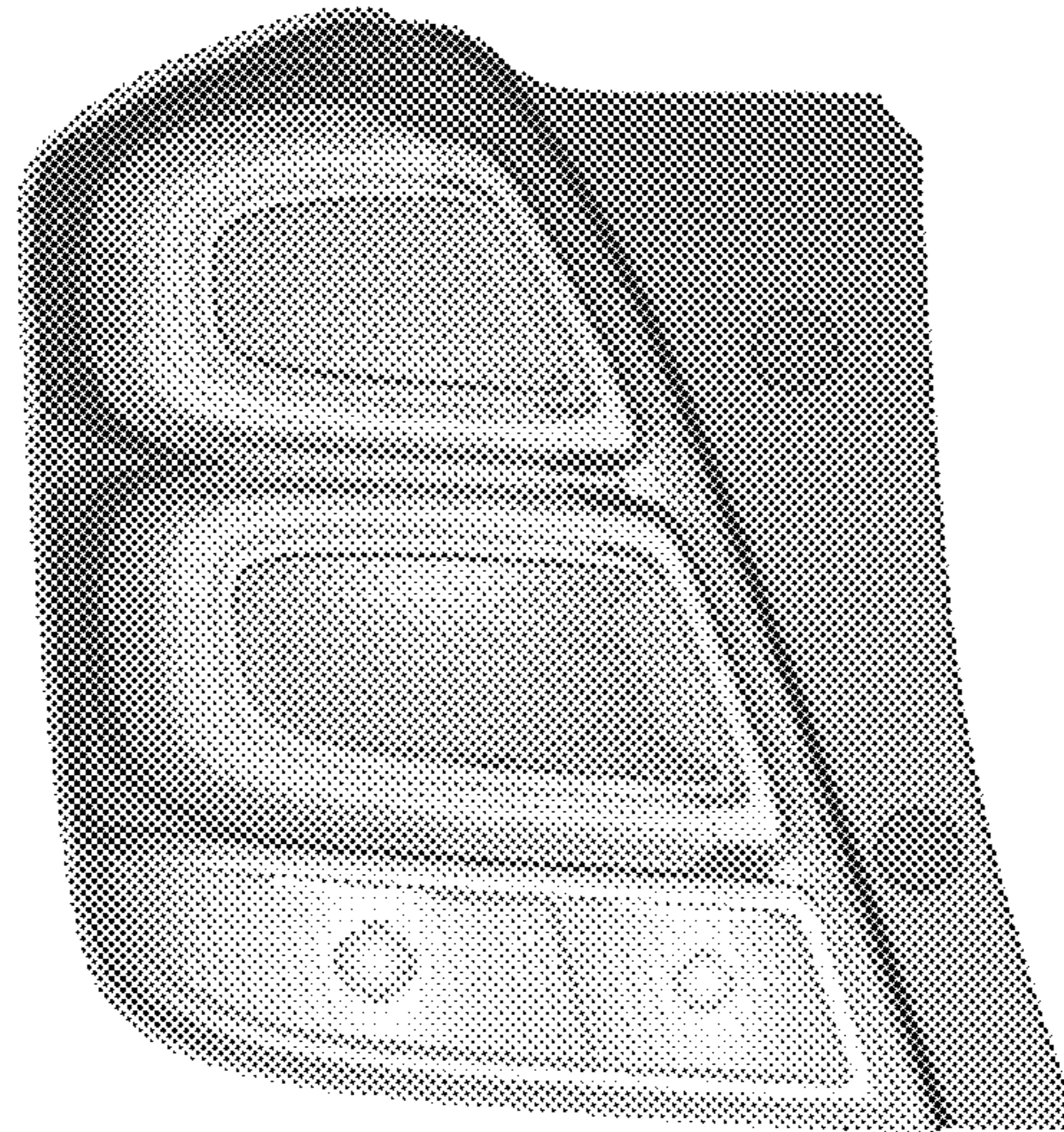


Fig. 3

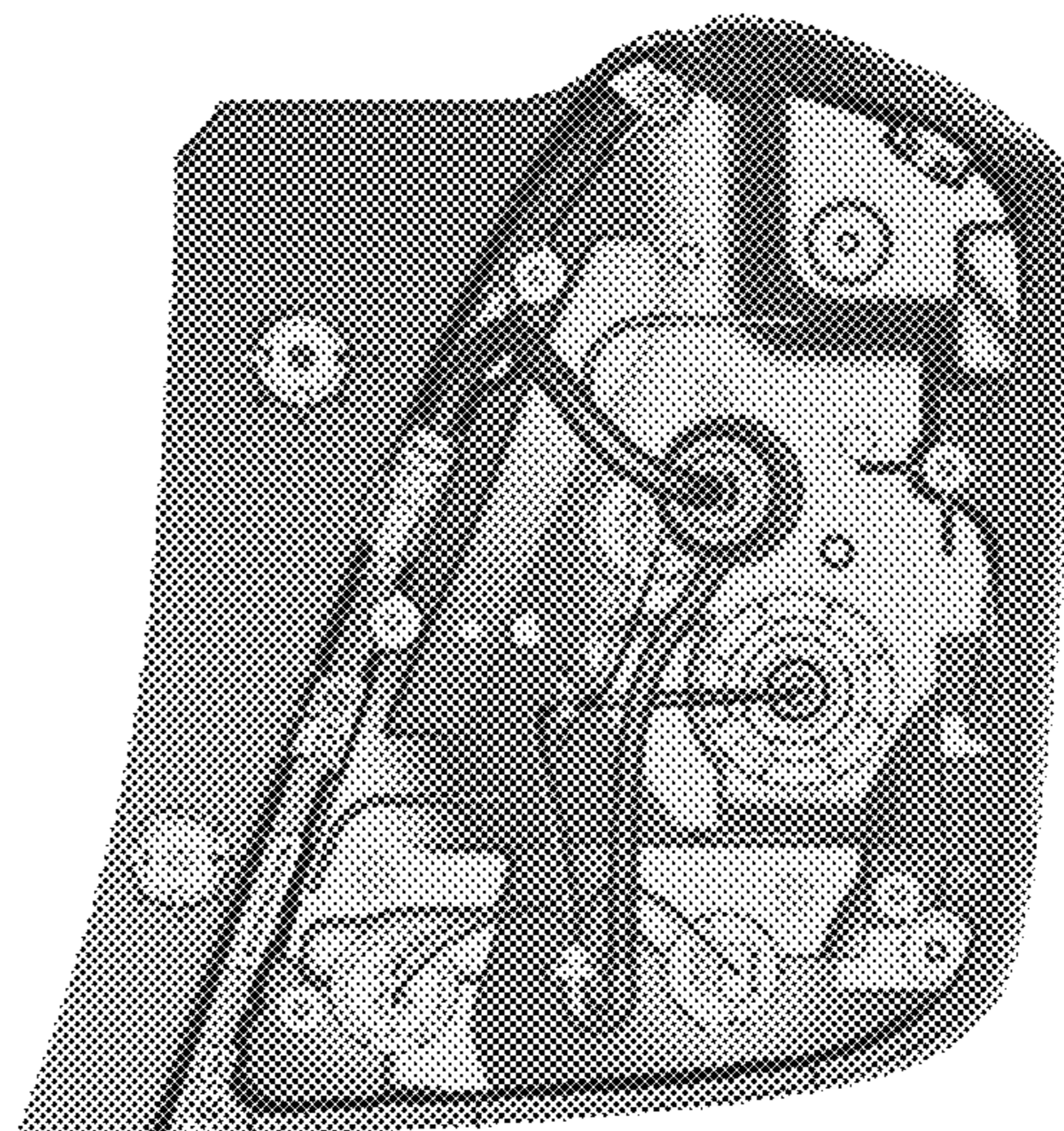


Fig. 4

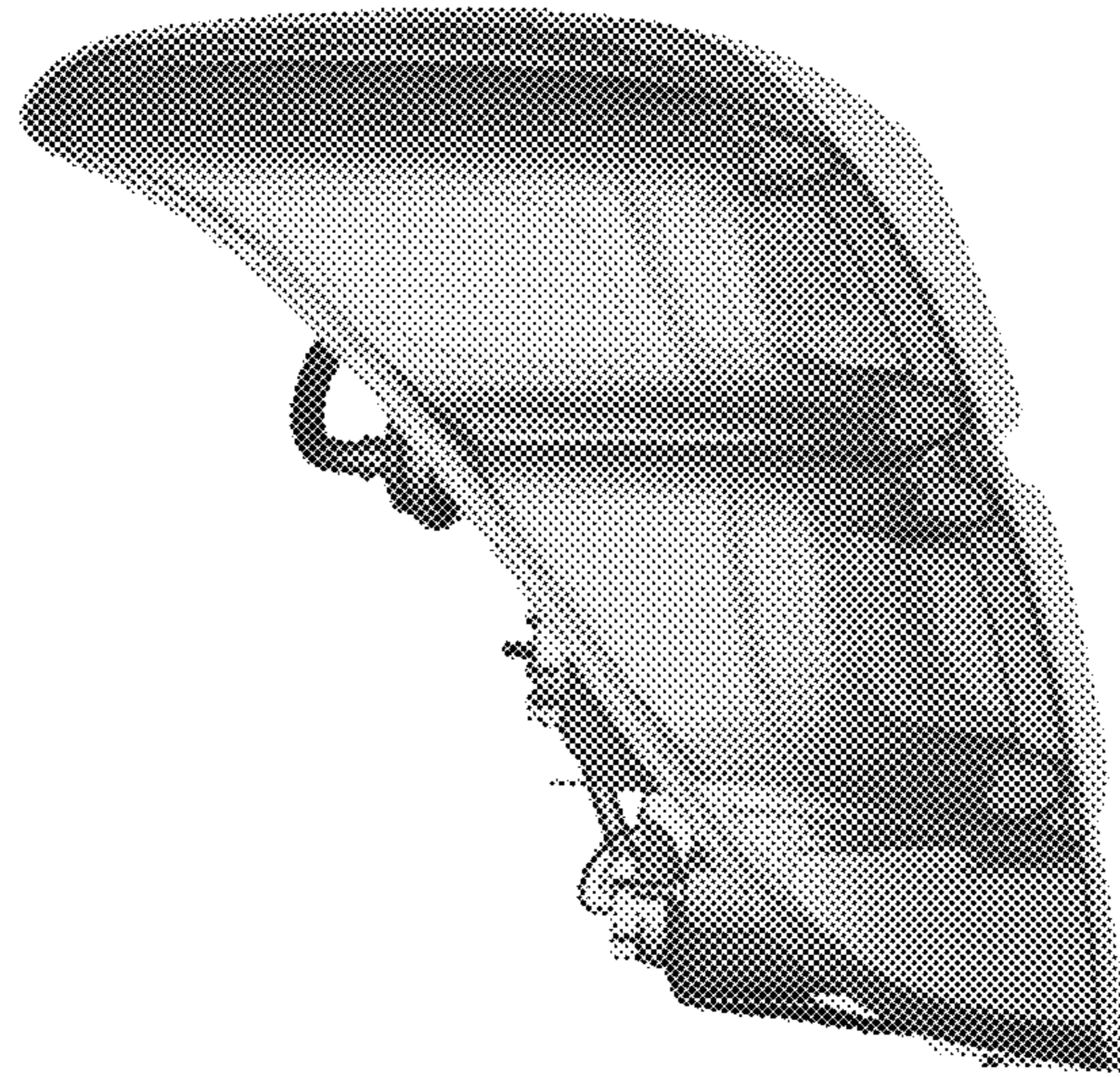


Fig. 5

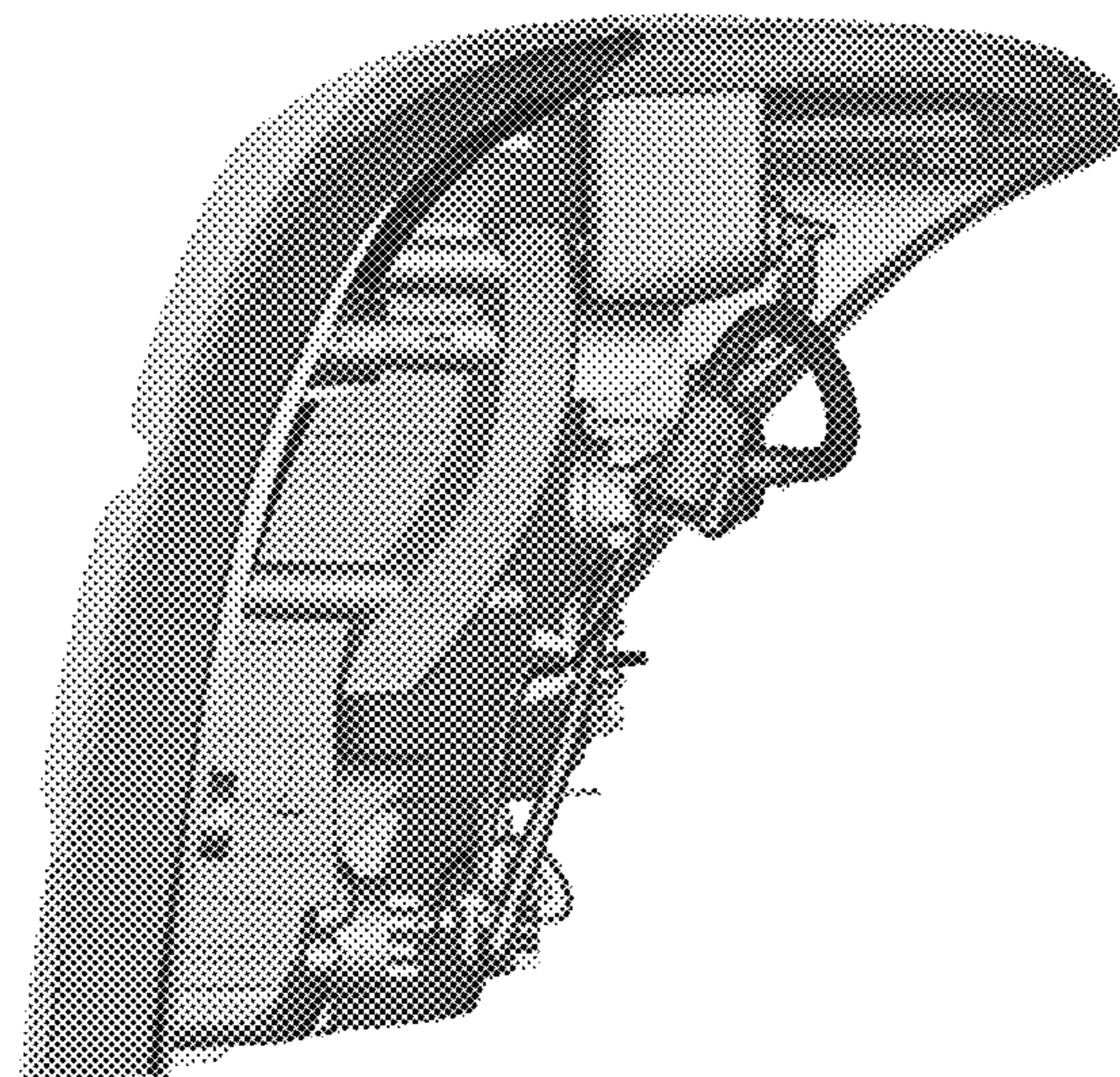


Fig. 6

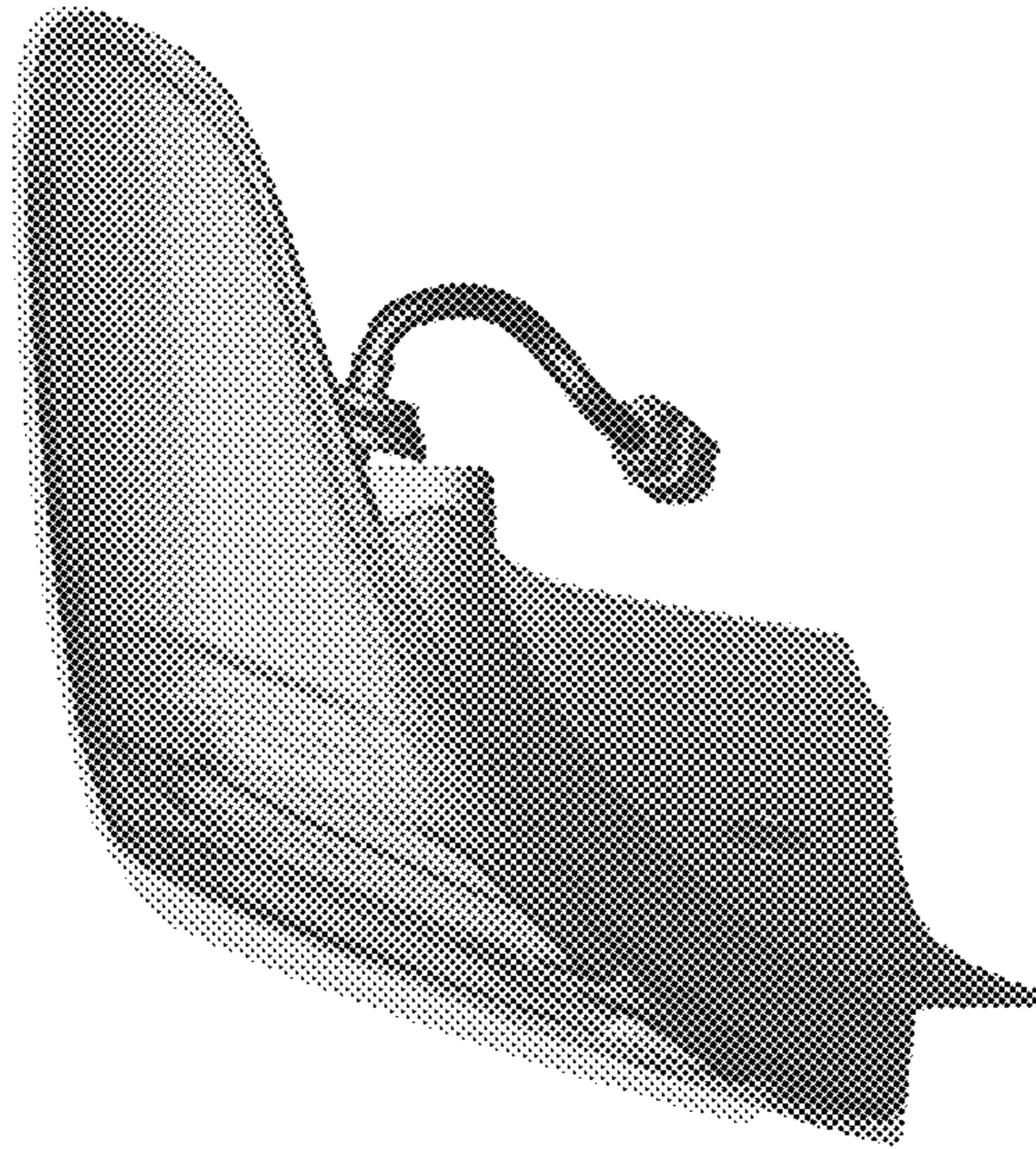


Fig. 7

