



US00D823496S

(12) **United States Design Patent**
Farnsworth

(10) **Patent No.:** **US D823,496 S**
(45) **Date of Patent:** **** Jul. 17, 2018**

- (54) **LIGHT AND TRACK ASSEMBLY**
- (71) Applicant: **Tye T. Farnsworth**, Riverton, UT (US)
- (72) Inventor: **Tye T. Farnsworth**, Riverton, UT (US)
- (73) Assignee: **SYSTEM LIGHTING SOLUTIONS, LLC**, Riverton, UT (US)

| | | | |
|--------------|---------|------------------|--------|
| D397,818 S * | 9/1998 | Herst | D26/76 |
| 5,813,751 A | 9/1998 | Shaffer | |
| 5,816,687 A | 10/1998 | Tapp | |
| 5,927,041 A | 7/1999 | Sedlmeier et al. | |
| 6,033,088 A | 3/2000 | Contigiani | |
| 6,050,703 A | 4/2000 | Herbert | |
| 6,050,709 A | 4/2000 | Hastings | |
| 6,158,882 A | 12/2000 | Bischoff, Jr. | |

(Continued)

(**) Term: **15 Years**

(21) Appl. No.: **29/569,548**

(22) Filed: **Jun. 28, 2016**

(51) **LOC (11) Cl.** **26-01**

(52) **U.S. Cl.**
USPC **D26/24**

(58) **Field of Classification Search**
USPC D26/1, 24, 51, 72, 104, 80, 76
CPC F21L 4/00; F21L 7/00; F21L 15/16; F21S
8/09; F21V 7/09; F21V 21/30; H01K
9/00; H01K 7/04

See application file for complete search history.

(56) **References Cited**

U.S. PATENT DOCUMENTS

| | | | |
|---------------|---------|-----------------|----------------------|
| 2,784,812 A | 3/1957 | Kindorf | |
| 3,204,090 A | 8/1965 | Kvarda | |
| 3,500,036 A | 3/1970 | Szentveri | |
| 3,692,993 A | 9/1972 | Robinson | |
| 4,482,944 A | 11/1984 | Roossine et al. | |
| 4,774,646 A | 9/1988 | L'Heureux | |
| 5,067,061 A | 11/1991 | Prickett | |
| 5,084,806 A * | 1/1992 | Nagai | H01K 9/00 313/272 |
| D350,312 S | 9/1994 | Edwards | |
| D350,313 S | 9/1994 | Edwards | |
| 5,469,344 A | 11/1995 | Kotsakis | |
| D374,737 S * | 10/1996 | Can | D26/80 |
| 5,594,628 A | 1/1997 | Reuter et al. | |
| D384,763 S * | 10/1997 | Roorda | D26/24 |
| 5,707,136 A | 1/1998 | Byers | |

OTHER PUBLICATIONS

“Plain Surface 6 Holes Rail Joint Bar Railroad Fish Plate for UIC60 UIC54 Steel Rail” Oct. 27, 2015, railwayfastenings.com, site visited May 26, 2017 <<http://www.railwayfastenings.com/sale-7134173-plain-surface-6-holes-rail-joint-bar-railroad-fish-plate-for-uic60-uic54-steel-rail.html>>.

Primary Examiner — Brian N. Vinson
(74) *Attorney, Agent, or Firm* — Morriss O’Bryant Compagni, Cannon, PLLC

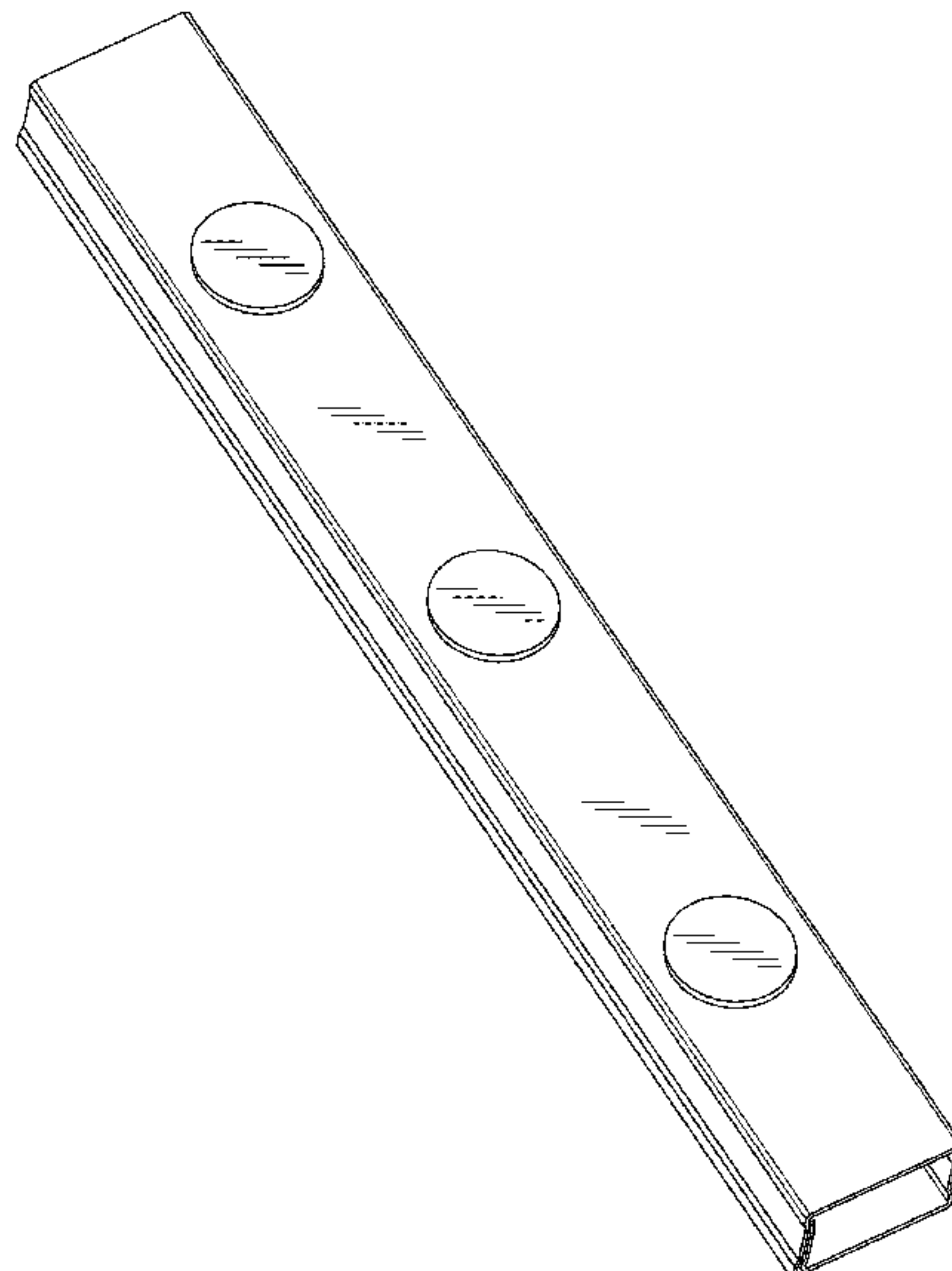
(57) **CLAIM**

The ornamental design for the light and track assembly, as shown and described.

DESCRIPTION

FIG. 1 is a perspective top side view of the light and track assembly of the present invention. FIG. 2 is a top side view of the light and track assembly. FIG. 3 is a first end view of the light and track assembly. FIG. 3A is an enlarged first end view of the light and track assembly. FIG. 4 is a second end view of the light and track assembly. FIG. 4A is an enlarged first end view of the light and track assembly. FIG. 5 is a right side view of the light and track assembly. FIG. 6 is a left side view of the light and track assembly; and, FIG. 7 is a bottom side view of the light and track assembly.

1 Claim, 5 Drawing Sheets



(56)

References Cited

U.S. PATENT DOCUMENTS

| | | | | | | | |
|--------------|---------|--------------------|--------|-----------------|---------|--------------------|---------|
| 6,186,644 B1 | 2/2001 | Mosseau | | 9,080,745 B2 | 7/2015 | Quaal et al. | |
| 6,416,200 B1 | 7/2002 | George | | D756,548 S * | 5/2016 | Wang | D26/24 |
| 6,450,662 B1 | 9/2002 | Hutchinson | | D764,075 S | 8/2016 | Honda | |
| 6,566,824 B2 | 5/2003 | Panagotacos et al. | | D765,882 S | 9/2016 | Deleu | |
| 6,652,020 B2 | 11/2003 | Few | | 9,506,609 B1 | 11/2016 | Groves et al. | |
| 6,652,112 B1 | 11/2003 | Lucarelli | | D775,408 S | 12/2016 | Huyghe | |
| 6,686,701 B1 | 2/2004 | Fullarton | | D780,590 S | 3/2017 | Komai | |
| 6,817,727 B1 | 11/2004 | McFadden | | D781,644 S | 3/2017 | Timmermans | |
| 6,854,793 B2 | 2/2005 | Few | | D793,617 S * | 8/2017 | Trzcielinski | D26/118 |
| 7,066,618 B1 | 6/2006 | Little | | 2003/0218879 A1 | 11/2003 | Tieszen | |
| 7,165,863 B1 | 1/2007 | Thomas et al. | | 2004/0196663 A1 | 10/2004 | Ishida et al. | |
| D551,591 S | 9/2007 | Wesorick | | 2005/0200495 A1 | 9/2005 | Sibalich | |
| D569,544 S | 5/2008 | Aubrey | | 2006/0146531 A1 | 7/2006 | Reo et al. | |
| D595,887 S * | 7/2009 | Blom | D26/51 | 2006/0146540 A1 | 7/2006 | Reo et al. | |
| D603,549 S | 11/2009 | Ng | | 2008/0175019 A1 | 7/2008 | Hacker | |
| D623,343 S | 9/2010 | Klus | | 2009/0237595 A1 | 9/2009 | Kanaya et al. | |
| D625,463 S | 10/2010 | Klus | | 2009/0267533 A1 | 10/2009 | Lee | |
| 7,815,341 B2 | 10/2010 | Steadly et al. | | 2009/0303410 A1 | 12/2009 | Murata et al. | |
| D629,554 S * | 12/2010 | Gielen | D26/76 | 2010/0165607 A1 | 7/2010 | Russo | |
| 7,918,591 B2 | 4/2011 | Lynch | | 2010/0315812 A1 | 12/2010 | Liu | |
| 8,002,433 B1 | 8/2011 | Cucksey et al. | | 2011/0051414 A1 | 3/2011 | Bailey et al. | |
| D647,246 S | 10/2011 | Chadwick | | 2012/0212930 A1 | 8/2012 | Kim | |
| D655,427 S | 3/2012 | Sutton | | 2012/0224369 A1 | 9/2012 | Beghelli | |
| 8,167,465 B2 | 5/2012 | Cha | | 2013/0027917 A1 | 1/2013 | Luo | |
| 8,240,875 B2 | 8/2012 | Roberts et al. | | 2013/0279156 A1 | 10/2013 | Kaule et al. | |
| 8,262,264 B2 | 9/2012 | Cooper | | 2014/0138559 A1 | 5/2014 | Tseng | |
| 8,305,225 B2 | 11/2012 | Hefright et al. | | 2014/0203315 A1 | 7/2014 | Kim | |
| D673,779 S | 1/2013 | Takahashi | | 2014/0254167 A1 | 9/2014 | Kennedy | |
| D679,860 S | 4/2013 | Maxik et al. | | 2014/0355286 A1 | 12/2014 | Arita | |
| D696,439 S * | 12/2013 | He | D26/24 | 2015/0036355 A1 | 2/2015 | Mitchell | |
| D696,801 S * | 12/2013 | He | D26/24 | 2015/0131287 A1 | 5/2015 | Marsh | |
| 8,720,031 B2 | 5/2014 | Sauer | | 2016/0146423 A1 | 5/2016 | Lai | |
| 8,926,118 B1 | 1/2015 | Whittaker | | 2016/0223166 A1 | 8/2016 | Benson | |
| | | | | 2017/0040514 A1 | 2/2017 | Yasuhara | |
| | | | | 2017/0146813 A1 | 5/2017 | Park | |

* cited by examiner

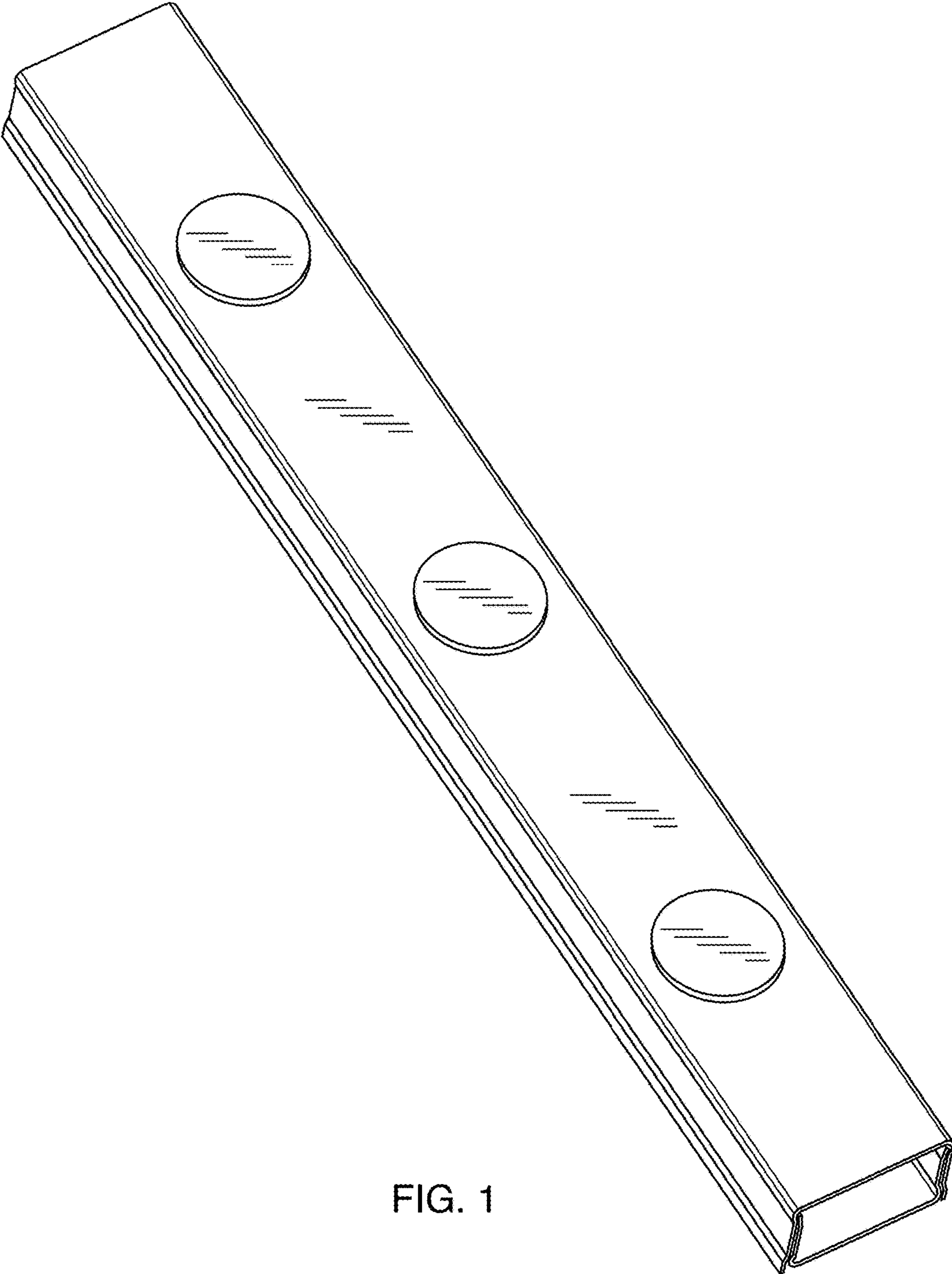


FIG. 1

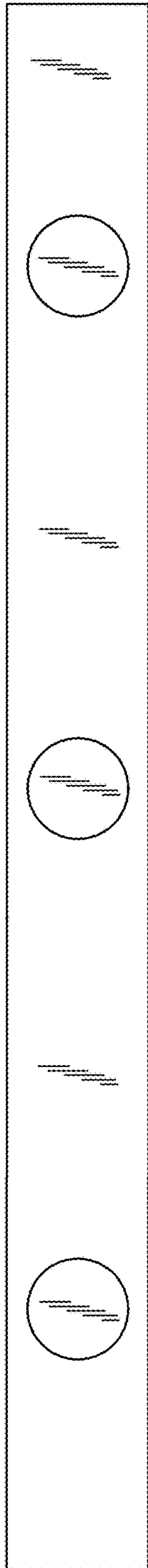


FIG. 2



FIG. 3

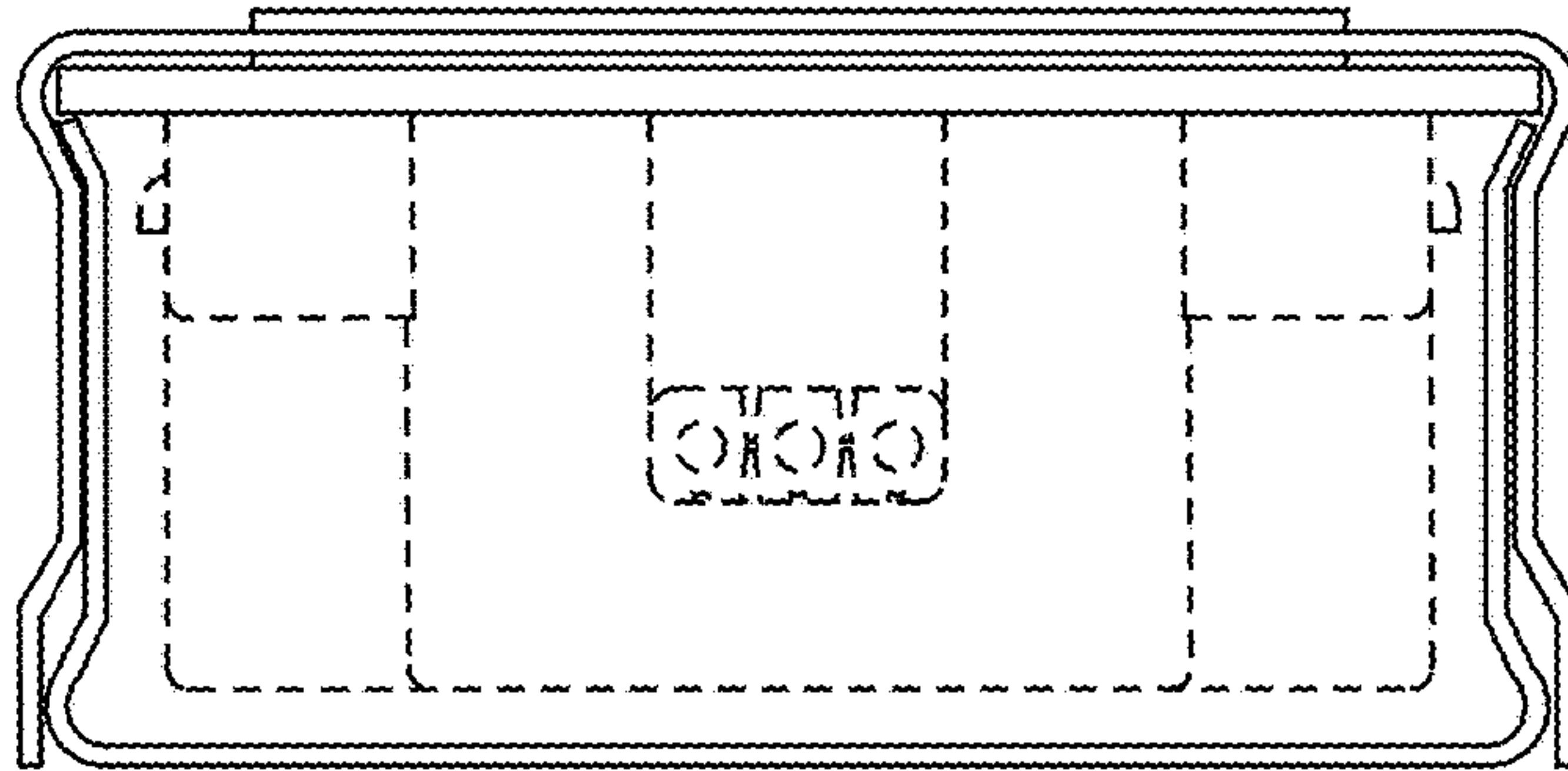


FIG. 3A

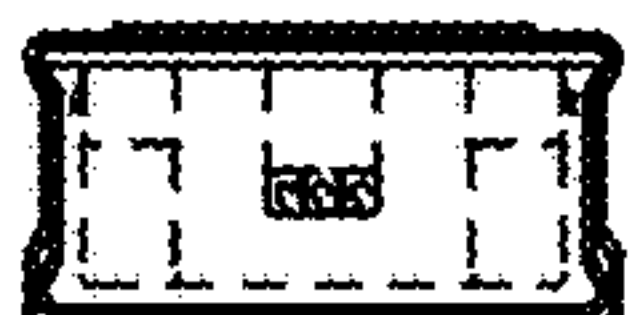


FIG. 4

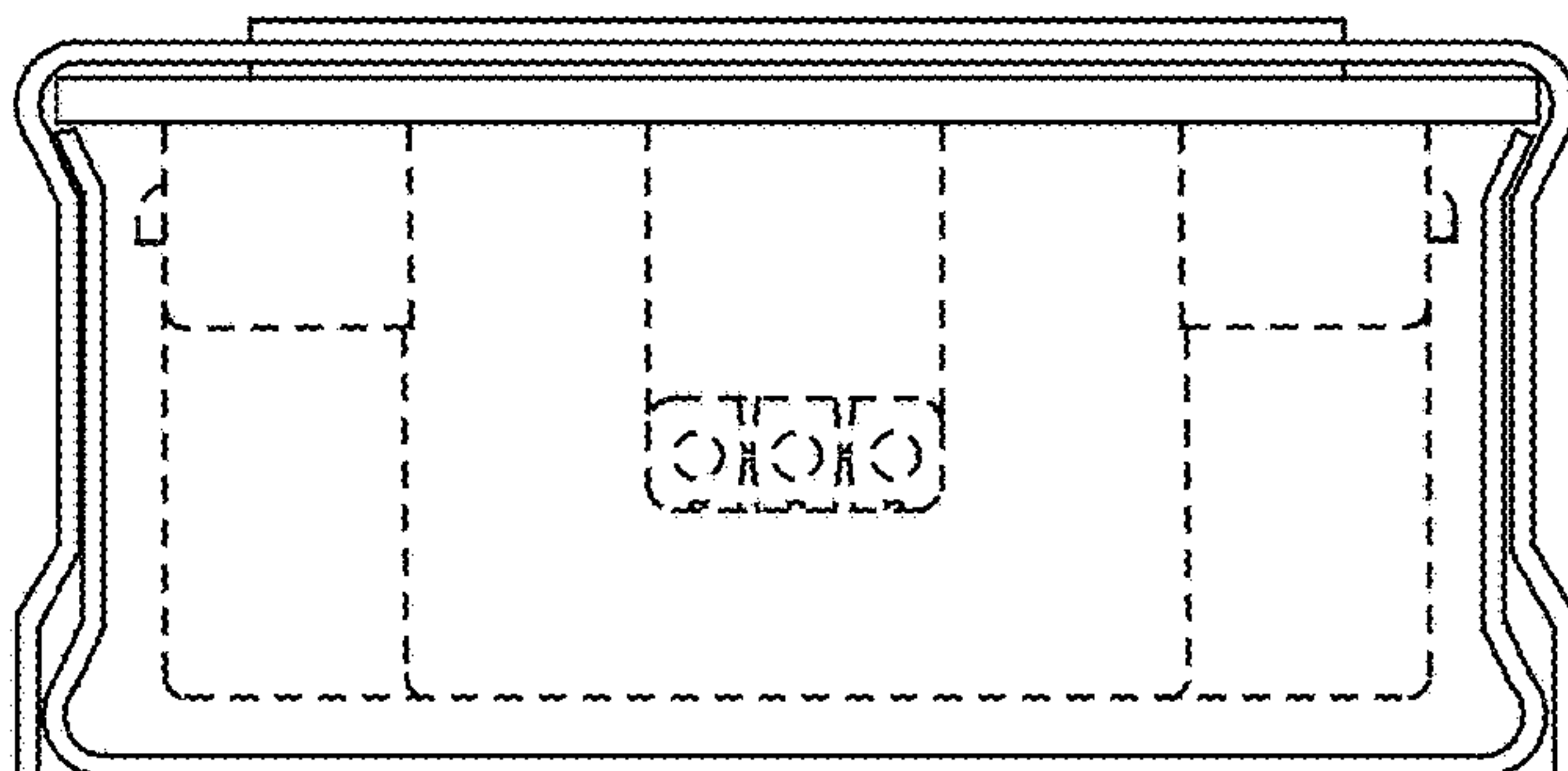


FIG. 4B

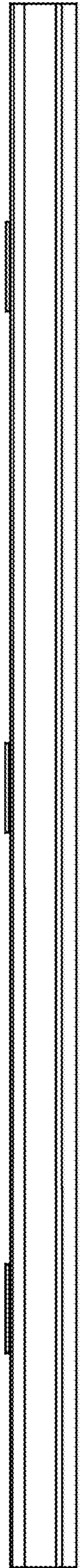


FIG. 5

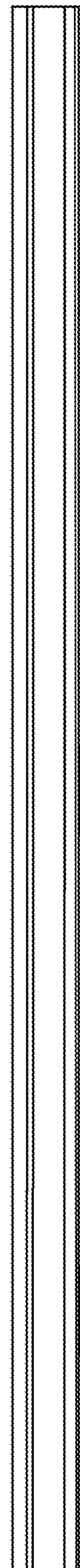


FIG. 6

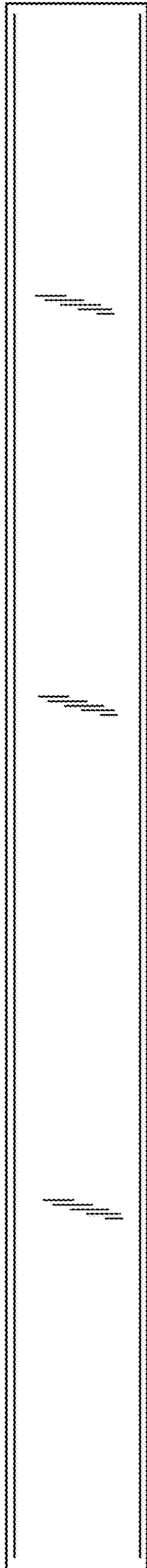


FIG. 7