



US00D823493S

(12) **United States Design Patent**
Morris

(10) **Patent No.:** **US D823,493 S**
(45) **Date of Patent:** **** Jul. 17, 2018**

(54) **LIGHT BULB**

(71) Applicant: **Simon Morris**, New York, NY (US)

(72) Inventor: **Simon Morris**, New York, NY (US)

(73) Assignee: **Flyte LLC**, New York, NY (US)

(**) Term: **15 Years**

(21) Appl. No.: **29/597,413**

(22) Filed: **Mar. 16, 2017**

(51) **LOC (11) Cl.** **26-04**

(52) **U.S. Cl.**
USPC **D26/2**

(58) **Field of Classification Search**
USPC D26/1-4; 313/313, 315, 316, 317, 318,
313/493; 315/52, 53, 56, 57, 58
CPC H01R 5/00; H01R 13/46; H01R 13/514;
H01R 31/048; H01R 31/02; H01J 5/00;
H01J 5/16; H01J 1/02; H01J 15/00; H01J
5/48; H01J 5/50; H01J 19/54; F21V 5/00
See application file for complete search history.

(56) **References Cited**

U.S. PATENT DOCUMENTS

D544,109 S * 6/2007 Tsuruha D26/2
D579,130 S * 10/2008 Hernandez, Jr. D26/2

D600,368 S * 9/2009 Bertram D26/2
D610,272 S * 2/2010 Guo D26/2
D610,273 S * 2/2010 Guo D26/2
D650,925 S * 12/2011 Zhang D26/2

* cited by examiner

Primary Examiner — Marcus Jackson

(74) *Attorney, Agent, or Firm* — Lewis Brisbois;
Nigamnarayan Acharya

(57) **CLAIM**

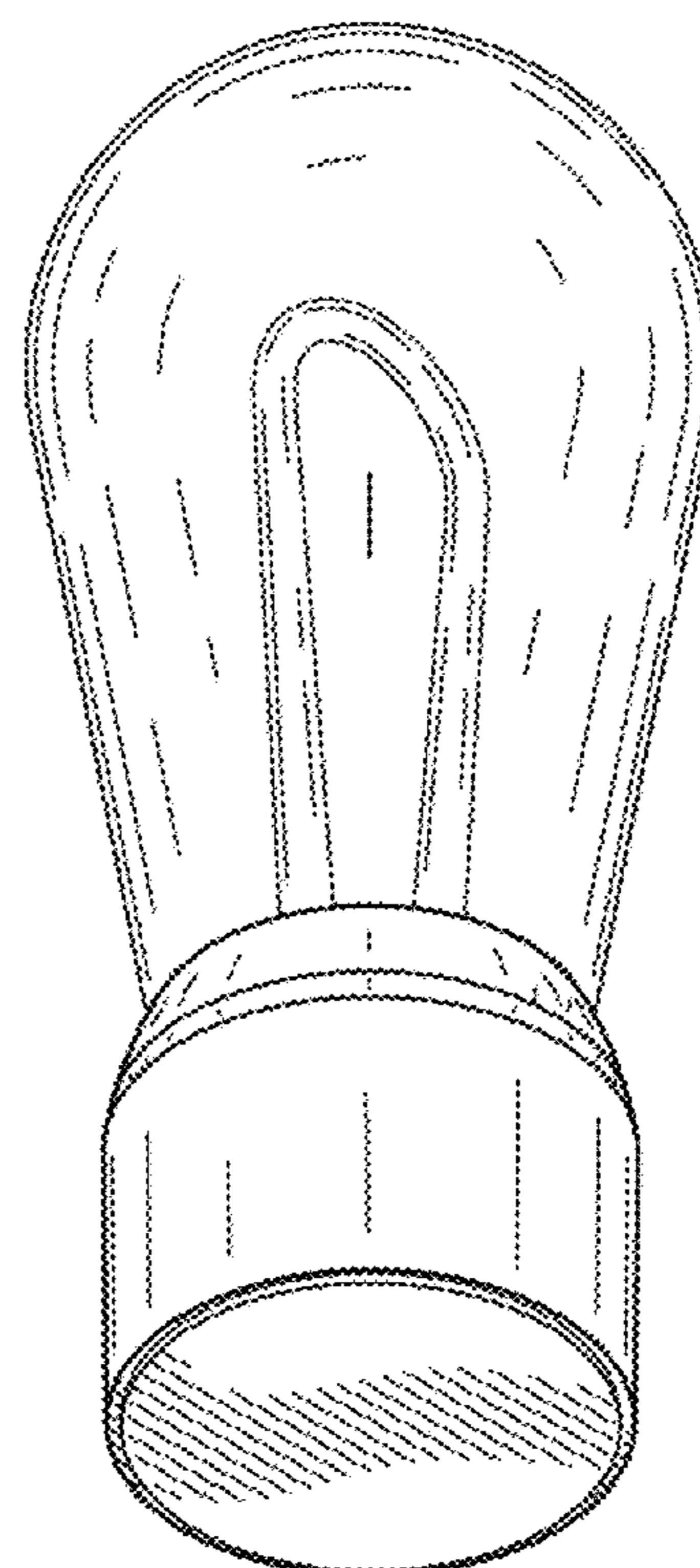
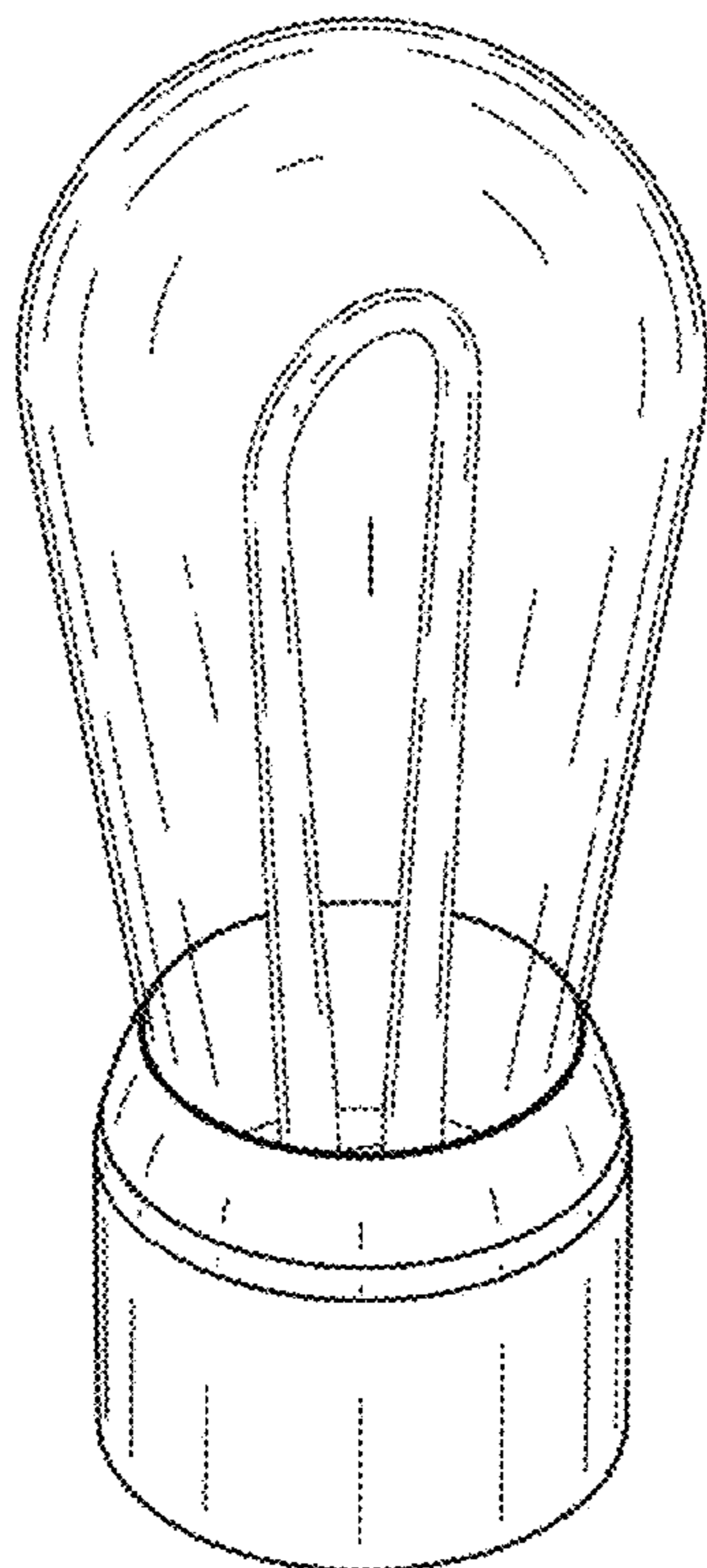
The ornamental design for a light bulb, as shown and described.

DESCRIPTION

FIG. 1 is a top perspective view of a first embodiment of a light bulb;
FIG. 2 is a bottom perspective view of the embodiment shown in FIG. 1;
FIG. 3 is a side view of the embodiment shown in FIG. 1;
FIG. 4 is another side view of the embodiment shown in FIG. 1;
FIG. 5 is a top view of the embodiment shown in FIG. 1; and,
FIG. 6 is a bottom view of the embodiment shown in FIG. 1.

The subject matter shown in broken lines is environmental and forms no part of the claimed design.

1 Claim, 3 Drawing Sheets



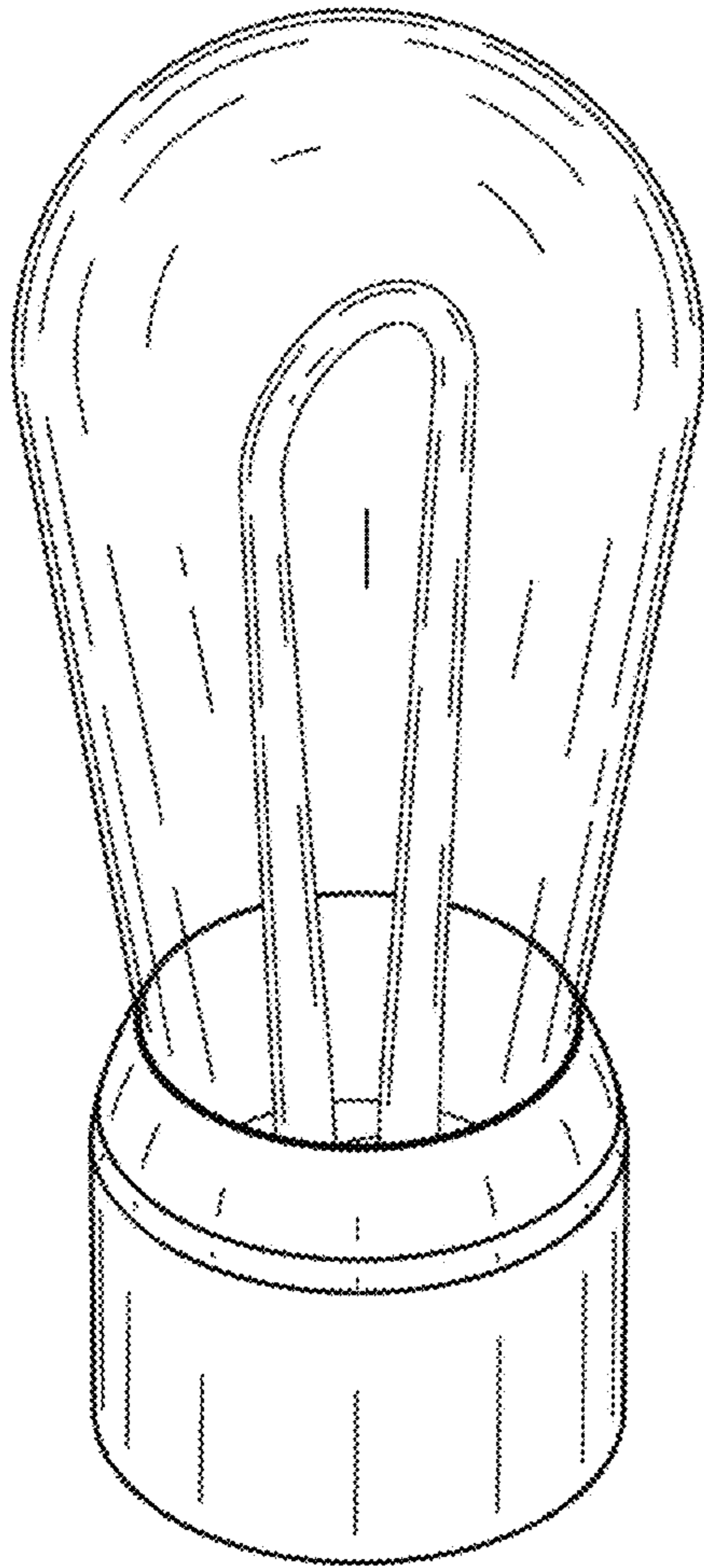


FIG. 1

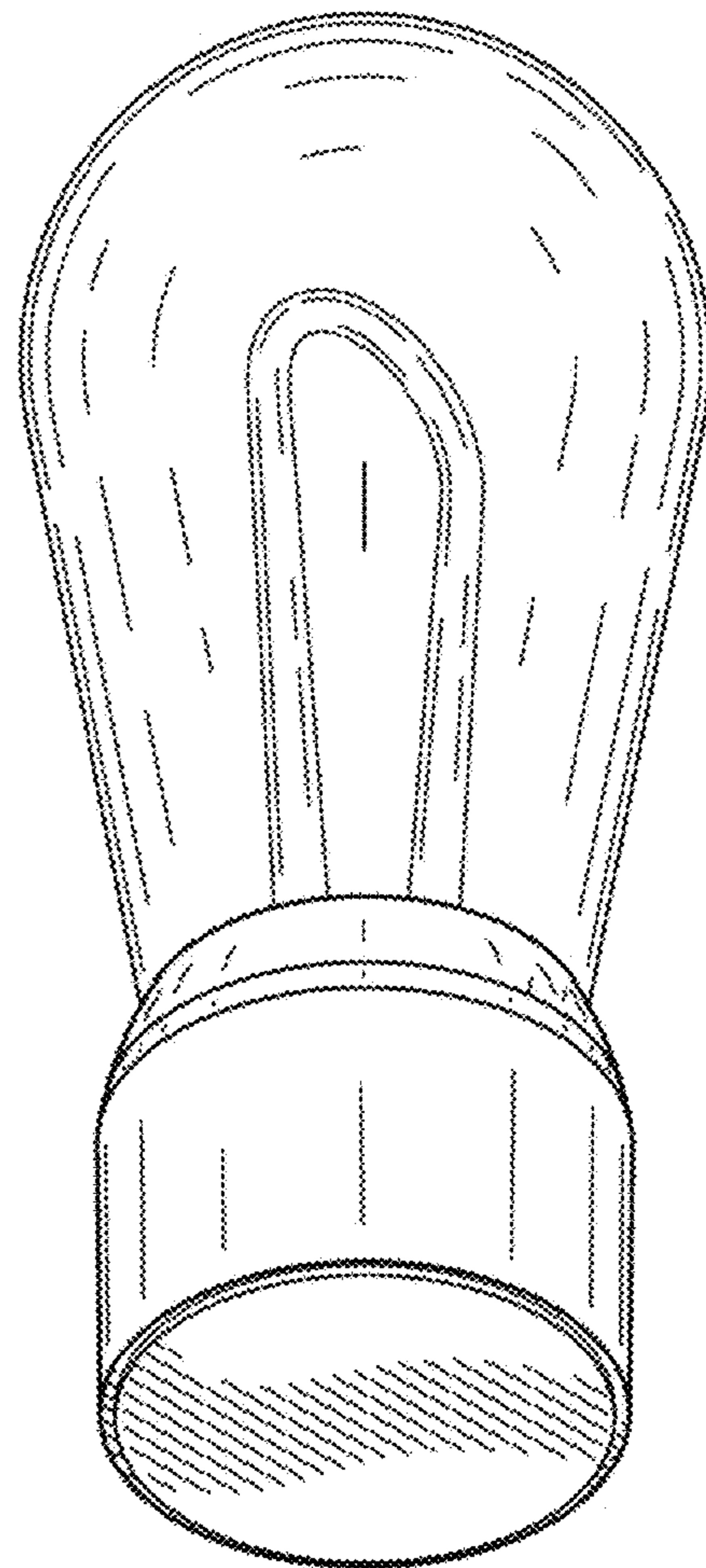


FIG. 2

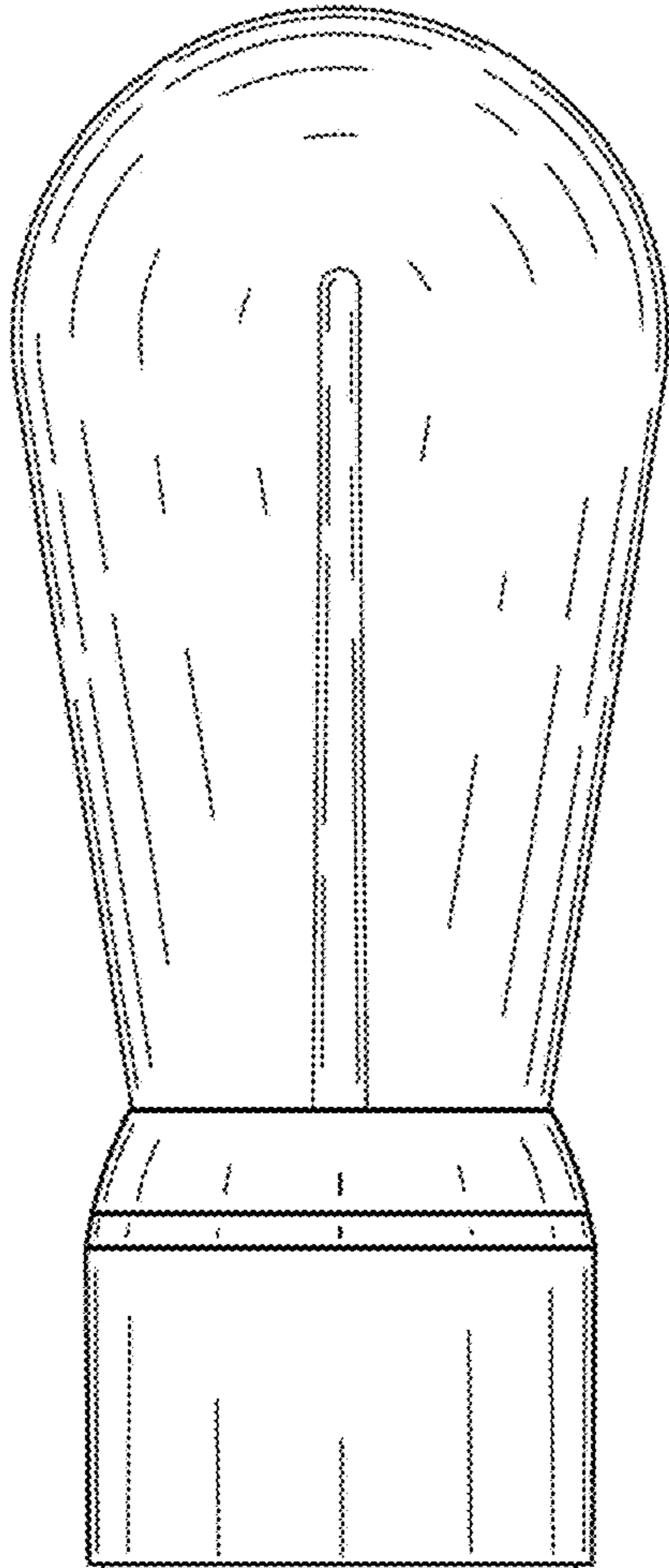


FIG. 3

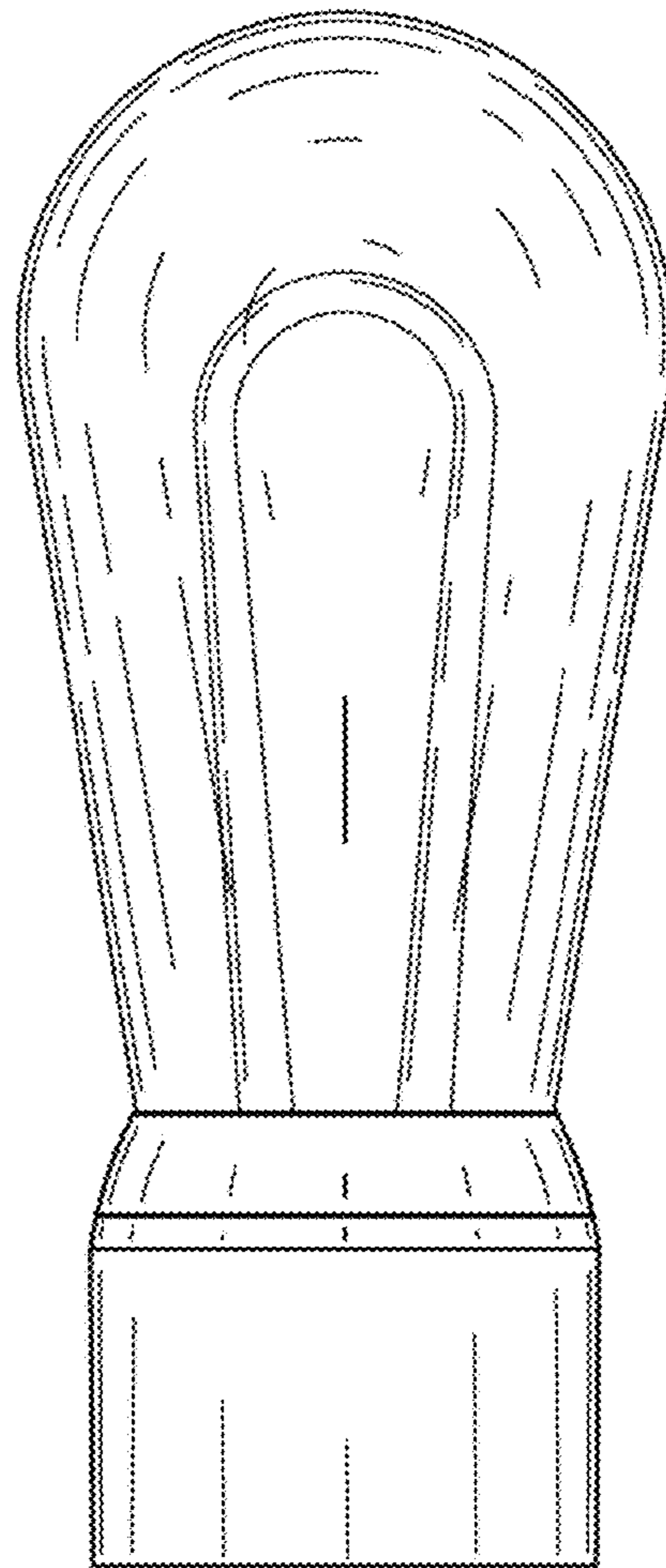


FIG. 4

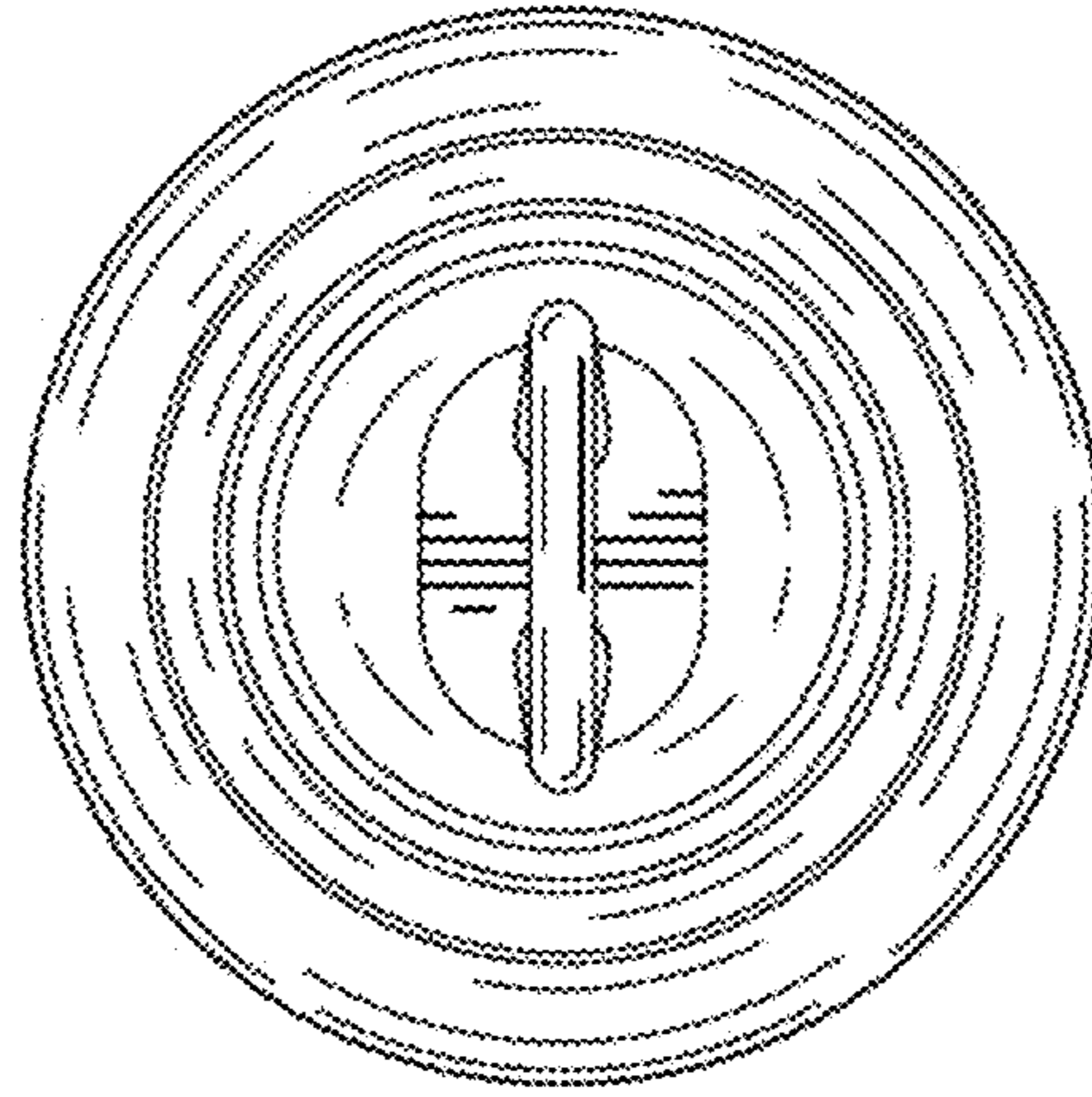


FIG. 5

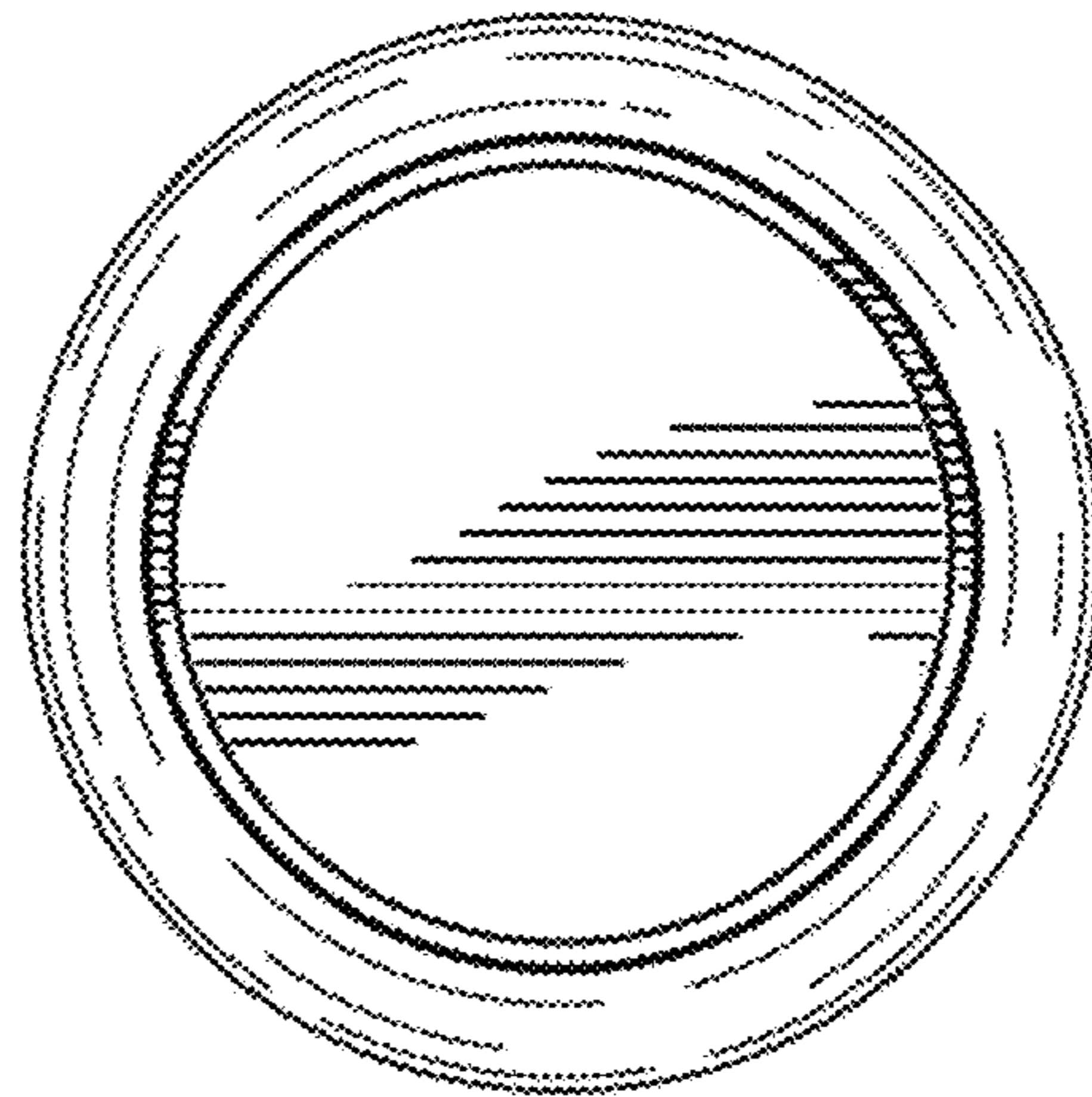


FIG. 6